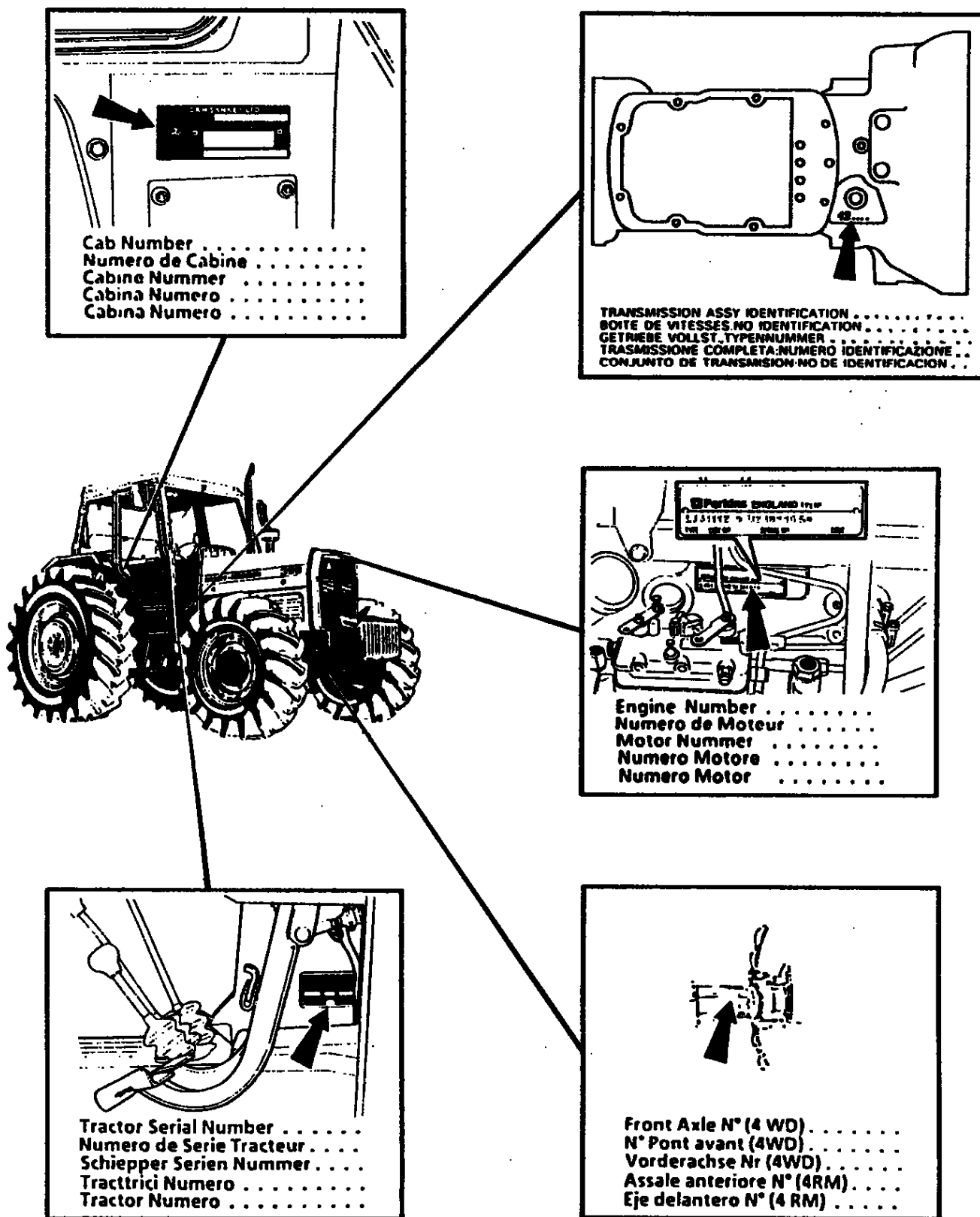


Page Title	Page Number
Section Divider	010-0005
Section Divider	010-0010
Engine Installation	010-0015
Cylinder Block - A4.236 Engine	010-0020
Crankshaft, Pistons And Connecting Rods - A4.236 Engine	010-0025
Cylinder Head - A4.236 Engine	010-0030
Rocker Shaft - A4.236 Engine	010-0035
Timing Gear And Camshaft - A4.236 Engine	010-0040
Balancer Unit - A4.236 Engine	010-0045
Fuel Injection Equipment (Diesel) - A4.236 Engine	010-0050
Lubricating Oil Sump - A4.236 Engine	010-0055
Lubricating Oil Filter And Integral Cooler - A4.236 Engine	010-0060
Water Pump, Thermostat And Heat Exchanger - A4.236 Engine	010-0065
Fuel Oil Lift Pump - A4.236 Engine	010-0070
Air Induction And Exhaust System - A4.236 Engine	010-0075
Alternator Positioner - A4.236 Engine	010-0080
Joints And Gaskets - A4.236 Engine	010-0085

3-0001-085-B



Cab Number
 Numero de Cabine
 Cabine Nummer
 Cabina Numero
 Cabina Numero

TRANSMISSION ASSY IDENTIFICATION
 BOITE DE VITESSES NO IDENTIFICATION
 GETRIEBE VOLLST. TYPENNUMMER
 TRASMISSIONE COMPLETA: NUMERO IDENTIFICAZIONE
 CONJUNTO DE TRANSMISION-NO DE IDENTIFICACION

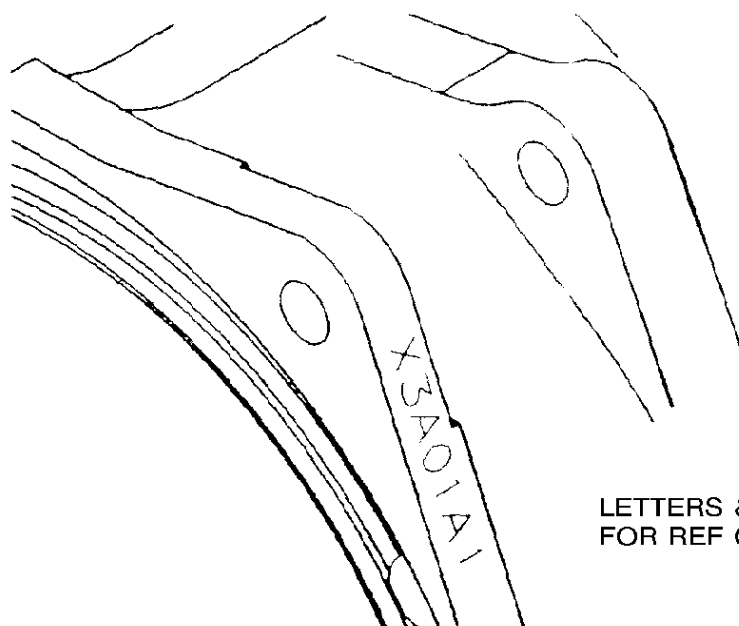
Engine Number
 Numero de Moteur
 Motor Nummer
 Numero Motore
 Numero Motor

Tractor Serial Number
 Numero de Serie Tracteur
 Schiepper Serien Nummer
 Tracttrici Numero
 Tractor Numero

Front Axle N° (4 WD)
 N° Pont avant (4WD)
 Vorderachse Nr (4WD)
 Assale anteriore N° (4RM)
 Eje delantero N° (4 RM)

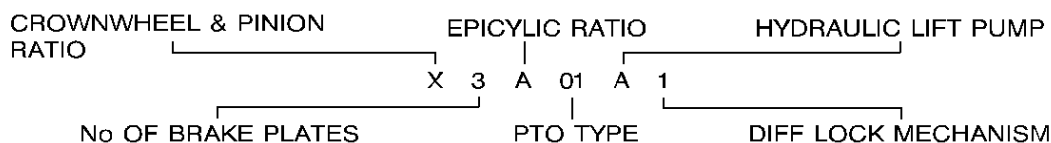
Description	Comments
.	SERIAL NUMBERS For UK only or any text in English only
.	NUMEROS DE SERIES For France only or any text in French only
.	SERIEN NUMMER For Germany only or any text in German only
.	MATR.O NUMERO For Italy only or any text in Italian only
.	E NUMERO SERIE

3-0001-104-A



LETTERS & NUMBERS ARE FOR REF ONLY

THE IDENTIFICATION NUMBER AND LETTER TO BE IN THE FOLLOWING FORMAT



CROWNWHEEL & PINION RATIO

W = 3.454 : 1 11x38
X = 4.375 : 1 8x35
Y = 3.889 : 1 9x35
Z = 6.167 : 1 6x37

No OF BRAKE PLATES

3 = THREE FRICTION PLATES
4 = FOUR FRICTION PLATES
5 = FIVE FRICTION PLATES
6 = SIX FRICTION PLATES
0 = NONE DIRECT DRIVE DRUM BRAKES

EPICYCLIC RATIO

A = NORMAL DUTY 3.75 : 1
B = NORMAL DUTY 3.1428 : 1
C = HEAVY DUTY 3.75 : 1
D = HEAVY DUTY 3.1428 : 1
E = HEAVY DUTY 4.8 : 1
F = DIRECT DRIVE DISC BRAKE
G = DIRECT DRIVE DRUM BRAKE

DIFF LOCK MECHANISM

1 = MECHANICAL
2 = HYDRAULIC

PTO TYPE

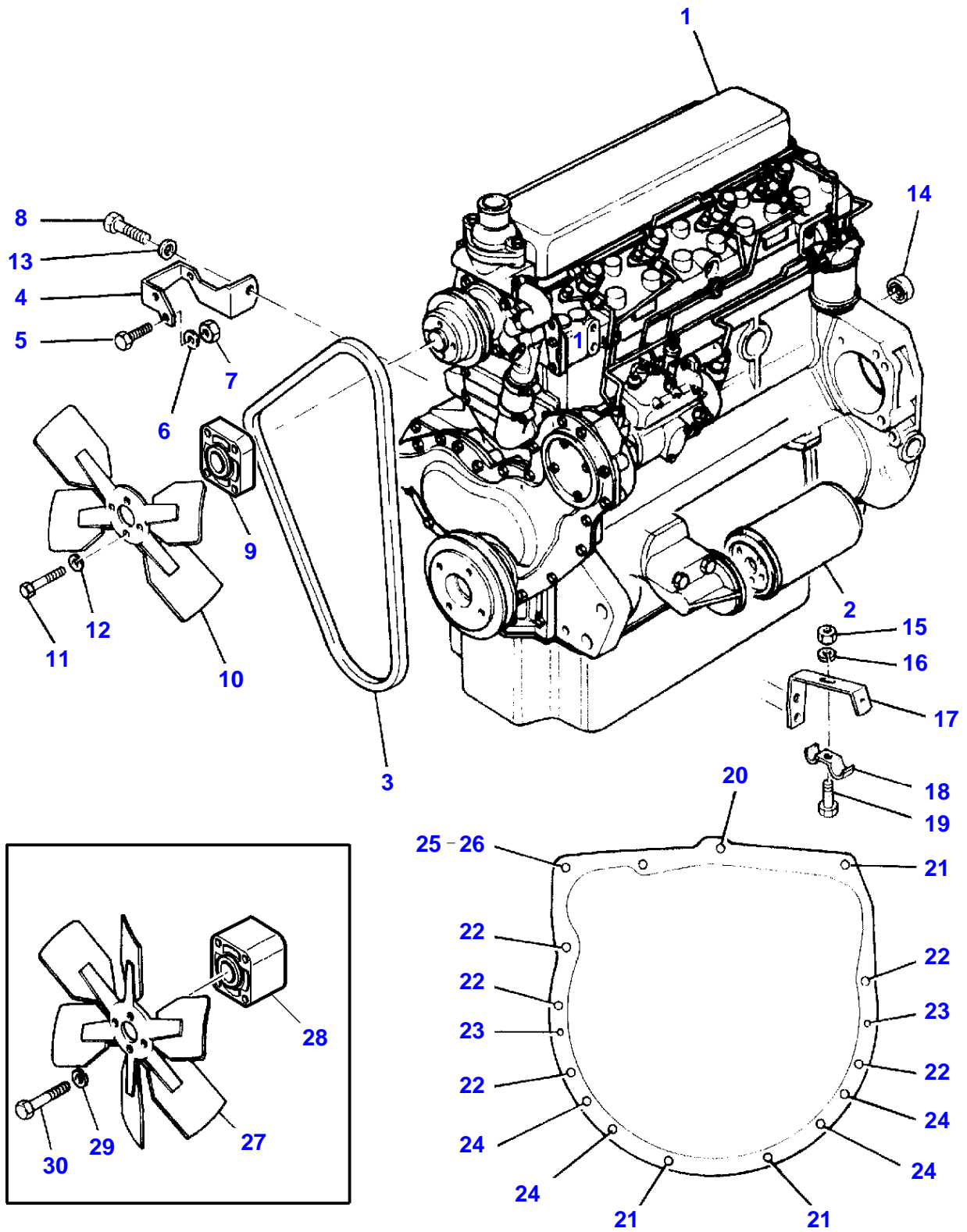
01 = LIVE SINGLE SPEED LOW FLOW PUMP
02 = LIVE SINGLE SPEED HIGH FLOW PUMP
03 = SINGLE SPEED IPTO
04 = TWO SPEED SHIFTABLE 540/1000 REV
MIN IPTO
05 = TWO SPEED SHIFTABLE 540/1000 REV
MIN IPTO WITH LOCKOUT
06 = TWO SPEED SHIFTABLE ECONOMY
540/540 E

HYDRAULIC LIFT PUMP

A = STANDARD FLOW PUMP WITH BLACK
MARKED RELIEF VALVE
B = STANDARD FLOW PUMP WITH PLAIN
NO MARK RELIEF VALVE
C = STANDARD FLOW PUMP AUXILIARY PUMP
(PLATED DRIVE) PLAIN RELIEF VALVE
D = STANDARD FLOW PUMP AUXILIARY PUMP
(PLATED DRIVE) BLACK RELIEF VALVE
E = HIGH FLOW PUMP CENTRE SHIFT
SHIFTABLE PTO
F = HIGH FLOW PUMP SIDE SHIFT
SHIFTABLE PTO
G = DUMMY PUMP (FERMEC)

Description	Comments
.	REAR HOUSING For UK only or any text in English only
.	CARTER ARRIERE For France only or any text in French only
.	GEHAEUSE HINTEN For Germany only or any text in German only
.	CARCASSA POSTERIORE For Italy only or any text in Italian only
.	E ALOJAMIENTO TRASERO

3-AA02-032-B

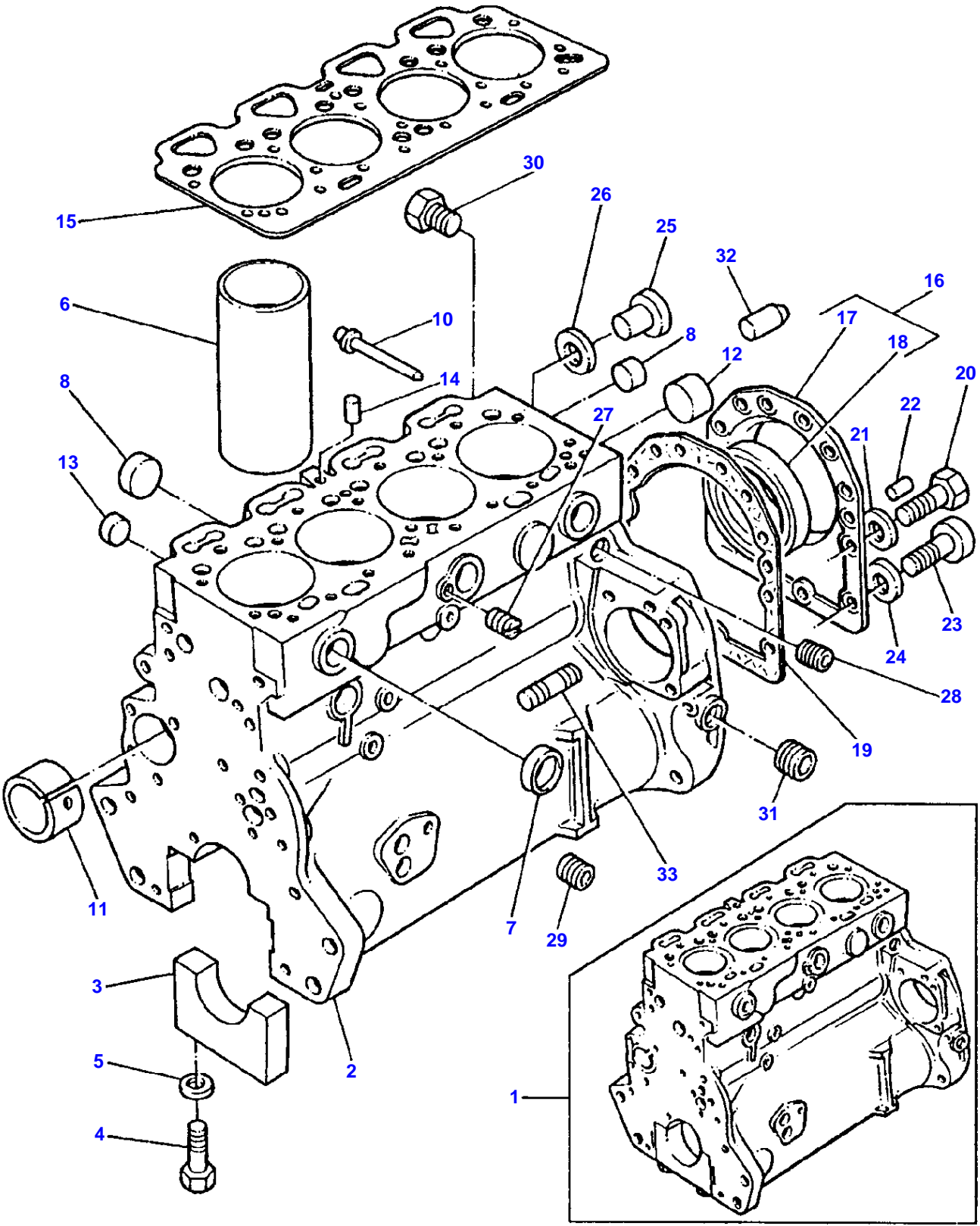


Engine Installation

Item	Part Number	Qty	Description	Comments
1	1694429M91	1	Engine	PEL - LD31140
	3641151M91	1	Short Engine	PEL - LD39334
				Repairs and replaces 3476390M91
				Repairs and replaces PEL-LD39312
	3612674M91	1	Engine	[A]
				PEL - LD31248
	3641217M91	1	Short Engine	[A]
				PEL - LD39336
				Repairs and replaces 3478237M91
				Repairs and replaces PEL-LD39303
2	1447048M1	1	Oil Filter	
3	1693745M1	1	V Belt	
	1687610M91	1	Kit, Belt	[A]
4	1694276M4	1	Bracket	
5	376334X1	1	Screw Unc	
6	353755X1	1	Washer	
7	355565X1	1	Nut Unc	
8	353536X1	1	Screw Unf	
9	736519M2	1	Spacer	Thickness 17,7MM
10	1695933M1	1	Fan	
11	353521X1	4	Bolt Unf	
12	353446X1	4	Lock Washer	
13	353756X1	1	Washer	
14	828123M2	1	Bearing Assy	
15	339030X1	1	Nut Metric	
16	339375X1	1	Lock Washer	
17	3612888M1	1	Bracket	
18	1876383M1	1	Clamp	
19	3001753X1	1	Screw Metric	
20	3019858X1	1	Bolt Metric	M12 X 35/30
				Up to Serial or Engine Number 30/11/96
	3807754M1	1	Bolt Metric	M12 X 45/30
				From Serial or Engine Number 31/11/96
21	3019851X1	3	Bolt Metric	
22	3019853X1	5	Bolt Metric	
23	825302M1	2	Dowel	
24	3019855X1	4	Bolt Metric	
25	3019878X1	1	Bolt Metric	
26	3019862X1	1	Nut Metric	
27	3637938M1	1	Fan	[A]
28	743046M1	1	Extension	[A]
	3759095M1	1	Spacer	[A]
				Thickness 40,7MM
29	353446X1	4	Lock Washer	[A]
30	353529X1	4	Bolt Unf	[A]

FOOTNOTE [A] WITH AIR CONDITIONING

L-0560-18M-A



Item	Part Number	Qty	Description	Comments
1	3641082M91	1	Cylinder Block	Repairs and replaces 3637379M91
2		1	Cylinder Block	(1) Not serviced,order REF.1
3		5	Bearing Cap	(1) Not serviced,order REF.1
4	1476108X1	10	Screw	(1)
5	733072M1	10	Ring	(1)
6	3637331M1	4	Liner	[A] (1)
	3637332M1	X	Liner	[B] (1)
7	731354M1	6	Plug	(1)
8	735944M1	4	Plug	[F] (1) Up to Serial or Engine Number 04/03/94
	746259M1	4	Plug	[G] From Serial or Engine Number 05/03/94
9	731354M1	2	Plug	(1)
10	1476282X1	1	Plug	(1)
11	4222017M1	1	Bush	(1) Repairs and replaces 3638093M1 Repairs and replaces 734883M1
12	4222043M1	1	Plug	Replace and repair. Old not interchangeable with new 733705M1
13	4222012M1	4	Plug	(1)
14	736868M1	1	Plug	
15	4222500M1	1	Head Gasket	Repairs and replaces 3637341M1 Up to Serial or Engine Number 04-03-94
	4222124M1	1	Gasket	From Serial or Engine Number 05-03-94 Replace and repair. Old not interchangeable with new 3638294M1
16	3640868M91	1	Housing	[C] Repairs and replaces 748163M91
17		1	Housing	(16) Not serviced,order REF.16
18	1447691M1	1	Seal	(16)
19	4223587M1	1	Joint	[F] Repairs and replaces 3640867M1 Repairs and replaces 3638520M1 Repairs and replaces 740828M1
	4223587M1	1	Joint	[G] From Serial or Engine Number 05/03/94
20	353519X1	10	Screw Unf	[D]
	353519X1	12	Screw Unf	[E]
21	375703X1	10	Washer	[D]
	375703X1	12	Washer	[E]
22	731947M1	2	Dowel	
23	357987X1	2	Bolt	
24	745015M1	2	Washer	
25	376180X1	1	Plug	
26	3638664M1	1	Washer	[F]
	3638664M1	1	Washer	[G] From Serial or Engine Number 05/03/94
27	748040M1	1	Plug	
28	363819X1	2	Plug	Repairs and replaces 733067M1
29	356039X1	1	Plug	[F] Repairs and replaces 3638540M1 Replace and repair. Old not interchangeable with new 365332X1
	731996M1	1	Plug	[G] From Serial or Engine Number 05/03/94
30	376670X1	2	Plug	Repairs and replaces 3637016M1
31	363819X1	1	Plug	Repairs and replaces 733067M1
32	745017M1	1	Pointer	
33	731862M1	3	Stud	

FOOTNOTE [A] PRESS FIT

FOOTNOTE [B] SLIP FIT

FOOTNOTE [C] WAS 3638347M91 USE 3640868M91 + 3641089M1 + 353519 X1 (2) + 375703X1 (2) + 3641090M1

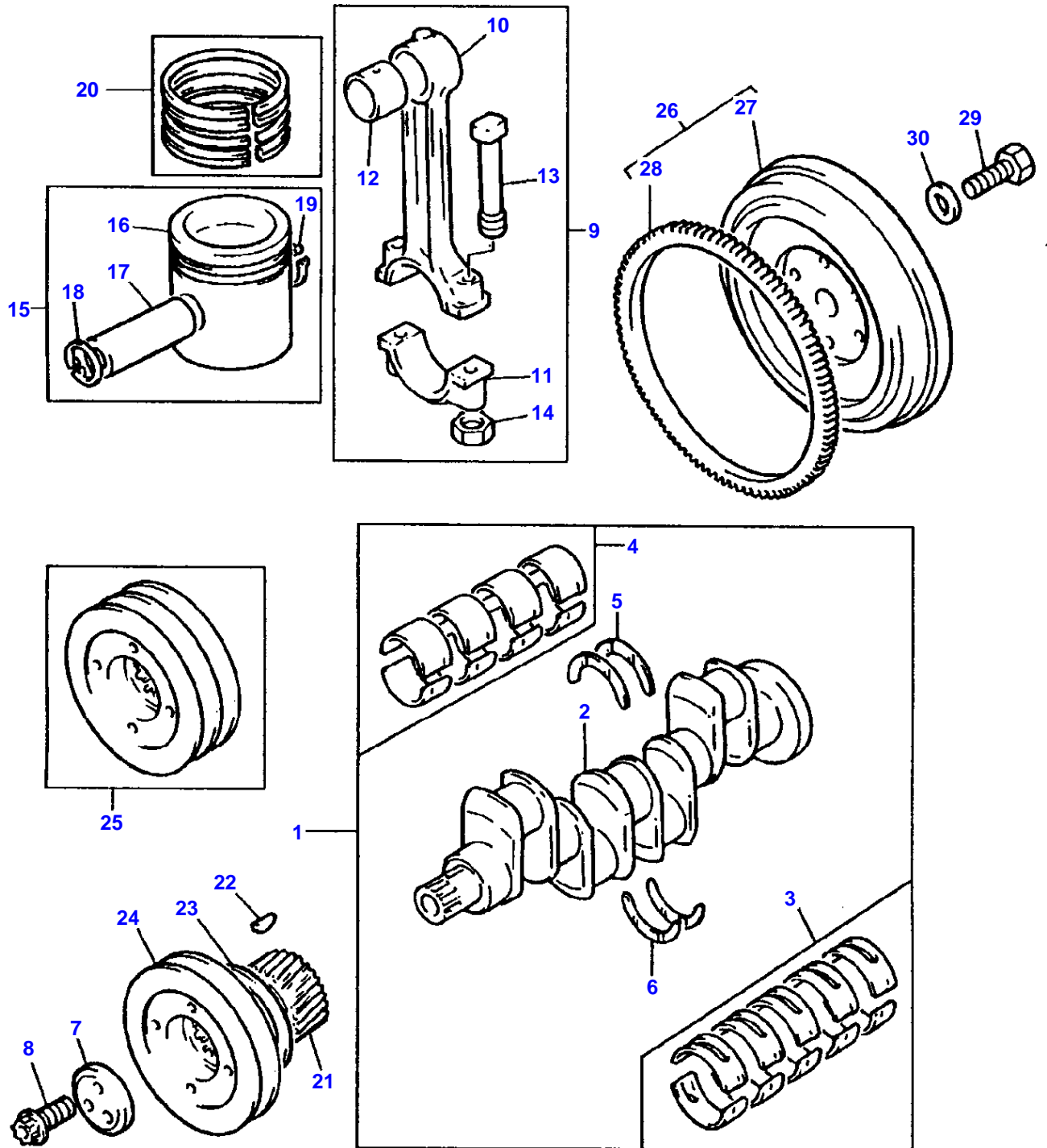
FOOTNOTE [D] USED ONLY WITH 748163M91/3638347M91

FOOTNOTE [E] USED ONLY WITH 3640868M91

FOOTNOTE [F] USED ONLY WITH 3637379M91

FOOTNOTE [G] USED ONLY WITH 3641082M91

L-0563-16M-C



Item	Part Number	Qty	Description	Comments
1	3637401M91	1	Kit, Crankshaft	
2		1	Crankshaft	(1) Not serviced,order REF.1
3	735168M91	1	Kit, Bearing	[A] (1)
	735169M91	X	Kit, Bearing	[A] Thickness (-)0.25MM Thickness (-)0.010"
	735170M91	X	Kit, Bearing	[A] Thickness (-)0.50MM Thickness (-)0.020"
	735171M91	X	Kit, Bearing	[A] Thickness (-)0.75MM Thickness (-)0.030"
4	736950M91	1	Kit, Bearing	[A] (1)
	736951M91	X	Kit, Bearing	[A] Thickness (-)0.25MM Thickness (-)0.010"
	4223496M91	X	Kit, Repair	[A] Thickness (-)0.50MM Thickness (-)0.020"
	736953M91	X	Kit, Bearing	[A] Replace and repair. Old not interchangeable with new 736952M91 Thickness (-)0.75MM Thickness (-)0.030"
5	747128M1	2	Thrust Washer	(1)
	735742M1	X	Washer	Thickness (+)0.19MM Thickness (+)0.0075"
6	747129M1	2	Thrust Washer	(1)
	735743M1	X	Washer	Thickness (+)0.19MM Thickness (+)0.0075"
7	3638115M1	1	Thrust Block	[D]
8	3638113M1	3	Screw	[D]
9	3637034M91	4	Kit, Conrod	
10		1	Conrod	(9) Not serviced,order REF.9
11		1	Cap	(9) Not serviced,order REF.9
12	733767M1	1	Bush	(9)
13	4222485M1	2	Screw	(9) Replace and repair. Old not interchangeable with new 3637029M1
14	3637030M1	2	Nut	(9)
15	3637515M91	4	Kit, Piston	[B]
	3637516M91	4	Kit, Piston	[C]
16		1	Piston	(15) Not serviced,order REF.15
17		1	Pin	(15) Not serviced,order REF.15
18	376131X1	1	Clip	(15)
19	376131X1	1	Clip	(15)
20	745760M91	4	Kit, Piston Ring	
	745786M91	X	Kit, Piston Ring	Thickness (+)0.030" Thickness (+)0.762MM
21	734749M1	1	Gear	Number of teeth/spines 28 Up to Serial or Engine Number U171963P
	3638105M1	1	Gear	Number of teeth/spines 28 From Serial or Engine Number U171964P
22	2196X	1	Key	
23	742539M1	1	Washer	
24	3638098M1	1	Pulley	
25	747631M1	1	Pulley,Crank	
26	742106M91	1	Flywheel	
27		1	Flywheel	(26) Not serviced,order REF.26
28	731008M1	1	Annular Gear	(26) 115T
29	375763X1	6	Screw	
30	745365M1	6	Washer	Repairs and replaces 737514M1

Massey Ferguson

375 TRACTOR, |-> B18009 - 819798

819798

Crankshaft, Pistons And Connecting Rods - A4.236 Engine

Page010-0025

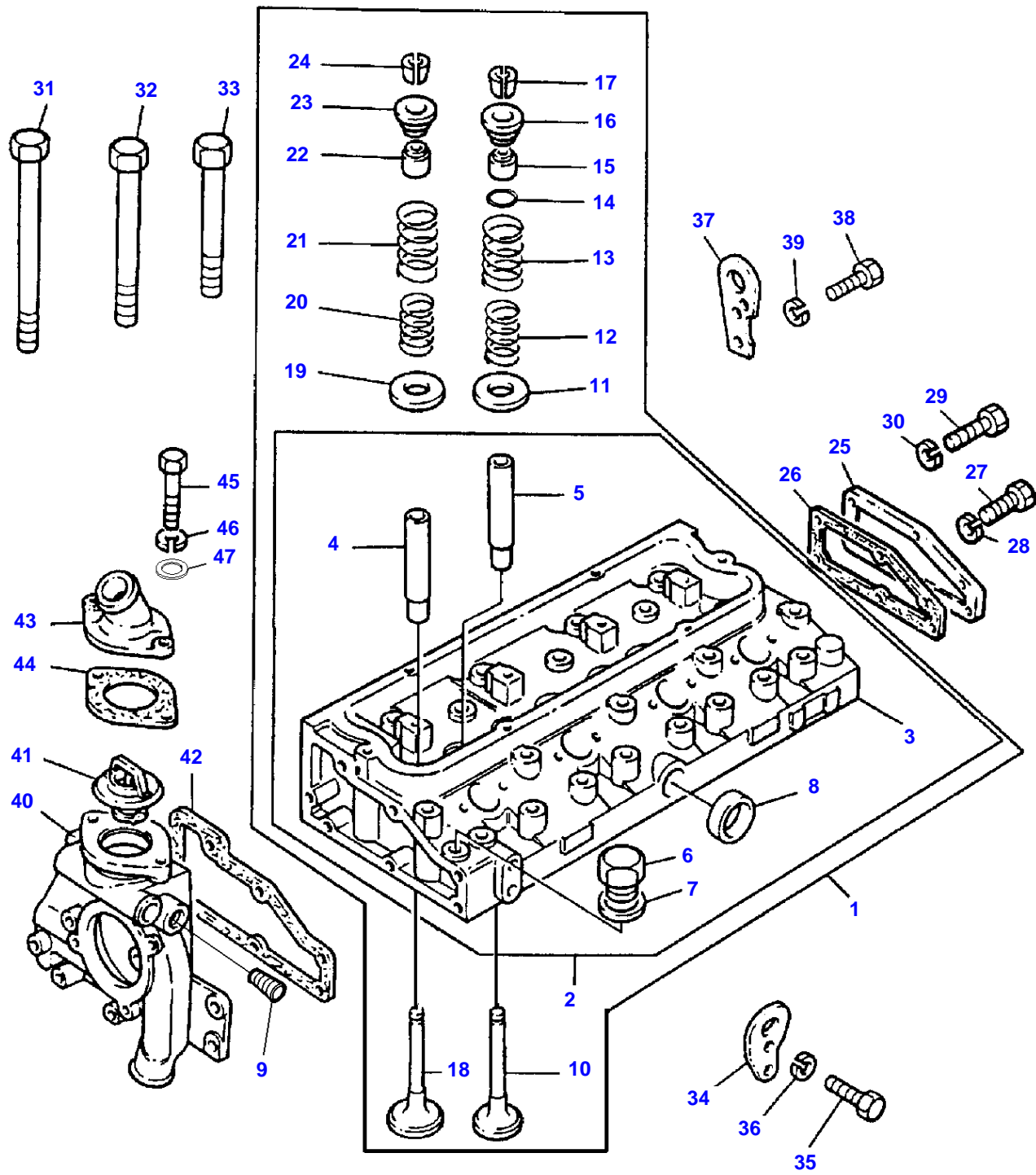
Item	Part Number	Qty	Description	Comments
------	-------------	-----	-------------	----------

FOOTNOTE [B] UNTOPPED

FOOTNOTE [C] PRE-TOPPED

FOOTNOTE [D] NOT SUPPLIED WITH ASSEMBLY

L-0566-16M-C



Item	Part Number	Qty	Description	Comments
1	3640877M91	1	Kit, Cyl. Head	Repairs and replaces 3637486M91
2	3641088M1	1	Cylinder Head	(1) Repairs and replaces 3637386M91 Repairs and replaces 3637783M91 Repairs and replaces 3638333M91
3		1	Cylinder Head	(2) Not serviced,order REF.2
4	4223073M1	4	Guide	(2) Replace and repair. Old not interchangeable with new 3640676M1
5	4223074M1	4	Guide	(2) Replace and repair. Old not interchangeable with new 748420M1
6	731410M1	1	Plug	(2)
7	376178X1	1	Washer	(2)
8	731354M1	1	Plug	(2)
9	376606X1	1	Plug	
10	747552M1	4	Valve Exhaust	[A] (1) Up to Serial or Engine Number STANDARD
	747553M1	X	Valve Exhaust	Thickness (+)0.003"
	747554M1	X	Valve Exhaust	Thickness (+)0.015"
	747555M1	X	Valve Exhaust	Thickness (+)0.030"
	741466M1	4	Valve Exhaust	[B] (1) From Serial or Engine Number STANDARD
	741937M1	X	Valve Exhaust	Thickness (+)0.003"
	741938M1	X	Valve Exhaust	(+)0.015"
	741939M1	X	Valve Exhaust	Thickness (+)0.030"
11	733824M1	4	Washer	(1)
12	747813M1	4	Spring	(1) Up to Serial or Engine Number Diameter I.D 20.65MM
	740465M1	4	Spring	(1) From Serial or Engine Number Diameter I.D 21.94MM
13	747814M1	4	Spring	(1) Up to Serial or Engine Number Diameter I.D 28.90MM
	740467M1	4	Spring	(1) From Serial or Engine Number Diameter I.D 29.70MM
14	1447652M1	4	Ring	(1)
15	3637041M1	4	Seal	(1)
16	746698M1	4	Cap	(1) Up to Serial or Engine Number Length 14.30MM
	740468M1	4	Cap	(1) From Serial or Engine Number Length 11.10MM
17	736453M1	8	Cotter	[C] (1)
18	735820M1	4	Valve Inlet	(1)
19	733824M1	4	Washer	(1)
20	747813M1	4	Spring	(1) Up to Serial or Engine Number Diameter I.D 20.65MM
	740465M1	4	Spring	(1) From Serial or Engine Number Diameter I.D 21.94MM
21	747814M1	4	Spring	(1) Up to Serial or Engine Number Diameter I.D 28.90MM
	740467M1	4	Spring	(1) From Serial or Engine Number Diameter I.D 29.70MM

Buy Now



Our support email:

ebooklibonline@outlook.com