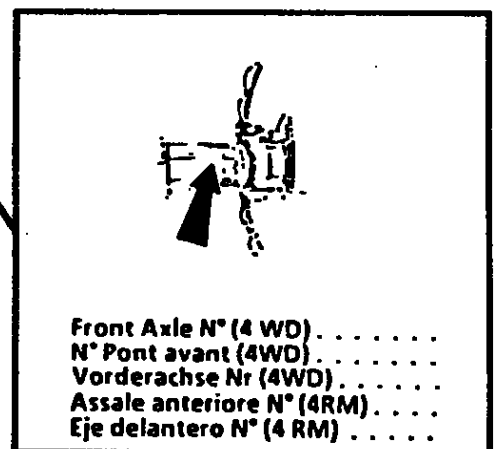
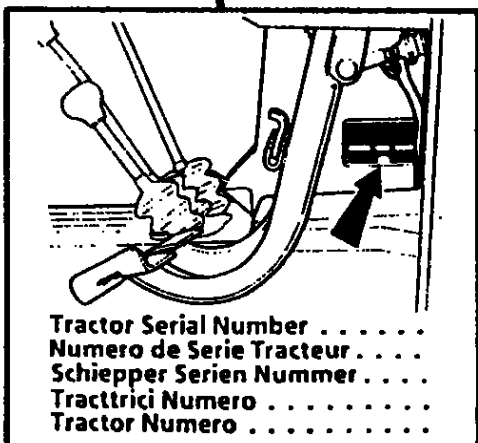
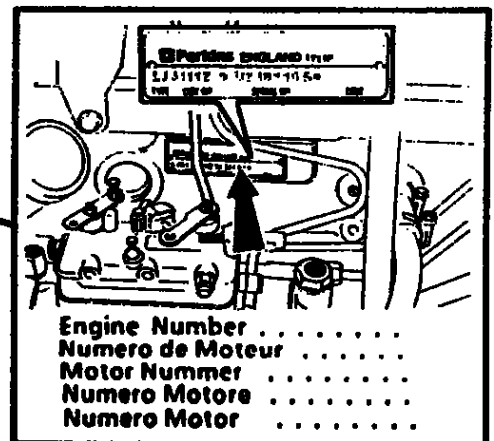
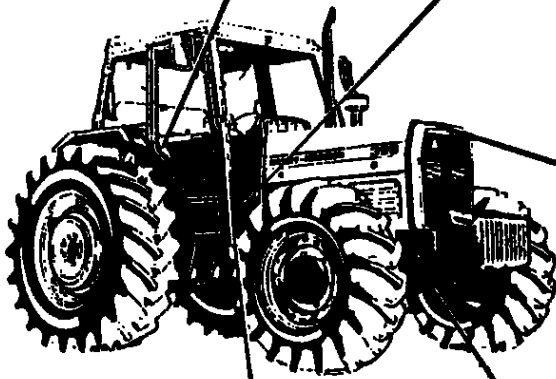
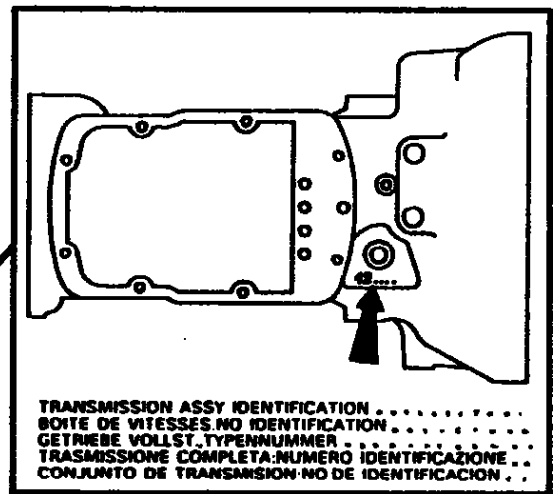
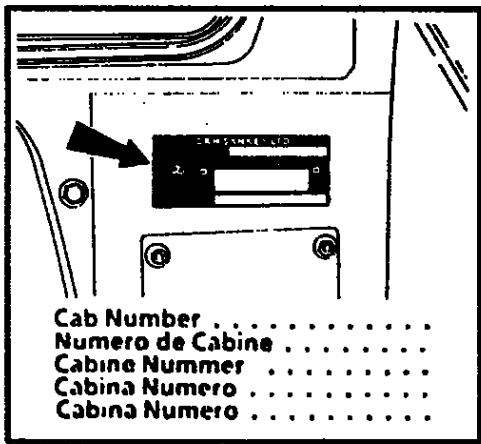


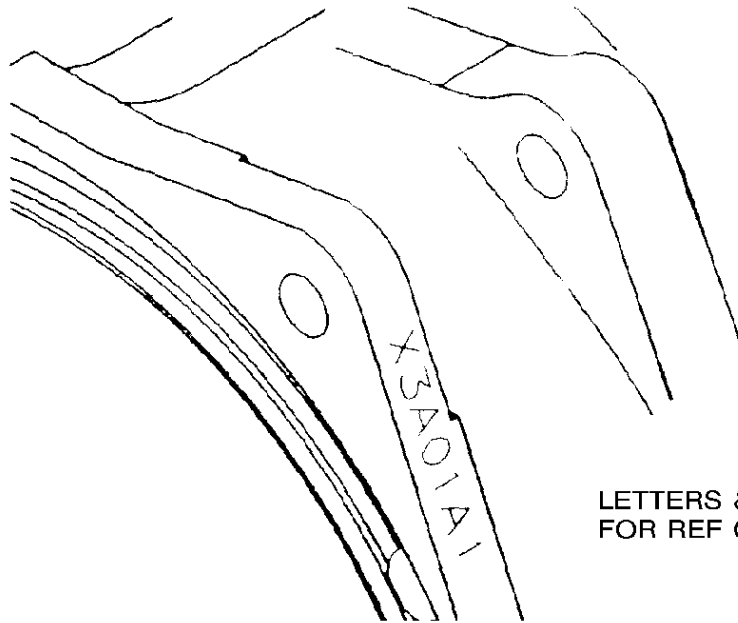
Page Title	Page Number
Section Divider	010-0005
Section Divider	010-0010
Engine Installation	010-0015
Cylinder Block - At4.236 Engine	010-0020
Crankshaft, Pistons And Connecting Rods - At4.236 Engine	010-0025
Cylinder Head - At4.236 Engine	010-0030
Rocker Shaft - At4.236 Engine	010-0035
Timing Gear And Camshaft - At4.236 Engine	010-0040
Balancer Unit - At4.236 Engine	010-0045
Fuel Injection Equipment (Diesel) - At4.236 Engine	010-0050
Lubricating Oil Sump - At4.236 Engine	010-0055
Lubricating Oil Filter And Integral Cooler - At4.236 Engine	010-0060
Water Pump, Thermostat And Heat Exchanger - At4.236 Engine	010-0065
Fuel Oil Lift Pump - At4.236 Engine	010-0070
Turbocharger - At4.236 Engine	010-0075
Turbocharger - Inlet And Exhaust Manifold - At4.236 Engine	010-0080
Turbocharger - Pipes And Heat Shields - At4.236 Engine	010-0085
Alternator Positioner - At4.236 Engine	010-0090
Joints And Gaskets - At4.236 Engine	010-0095

3-0001-085-B



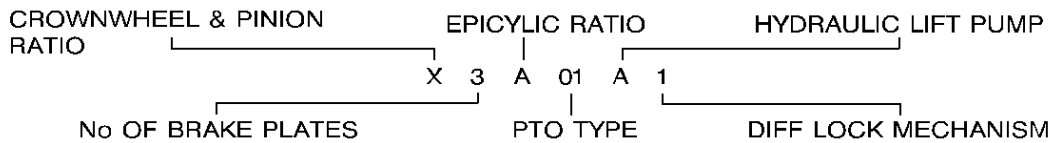
Description	Comments
.	SERIAL NUMBERS ..... For UK only or any text in English only
.	NUMEROS DE SERIES For France only or any text in French only
.	SERIEN NUMMER ..... For Germany only or any text in German only
.	MATR.O NUMERO ..... For Italy only or any text in Italian only
.	E NUMERO SERIE .....

3-0001-104-A



LETTERS & NUMBERS ARE FOR REF ONLY

THE IDENTIFICATION NUMBER AND LETTER TO BE IN THE FOLLOWING FORMAT



CROWNWHEEL & PINION RATIO

W = 3.454 : 1      11x38  
X = 4.375 : 1      8x35  
Y = 3.889 : 1      9x35  
Z = 6.167 : 1      6x37

No OF BRAKE PLATES

3 = THREE FRICTION PLATES  
4 = FOUR FRICTION PLATES  
5 = FIVE FRICTION PLATES  
6 = SIX FRICTION PLATES  
0 = NONE DIRECT DRIVE DRUM BRAKES

EPICYCLIC RATIO

A = NORMAL DUTY 3.75 : 1  
B = NORMAL DUTY 3.1428 : 1  
C = HEAVY DUTY 3.75 : 1  
D = HEAVY DUTY 3.1428 : 1  
E = HEAVY DUTY 4.8 : 1  
F = DIRECT DRIVE DISC BRAKE  
G = DIRECT DRIVE DRUM BRAKE

DIFF LOCK MECHANISM

1 = MECHANICAL  
2 = HYDRAULIC

PTO TYPE

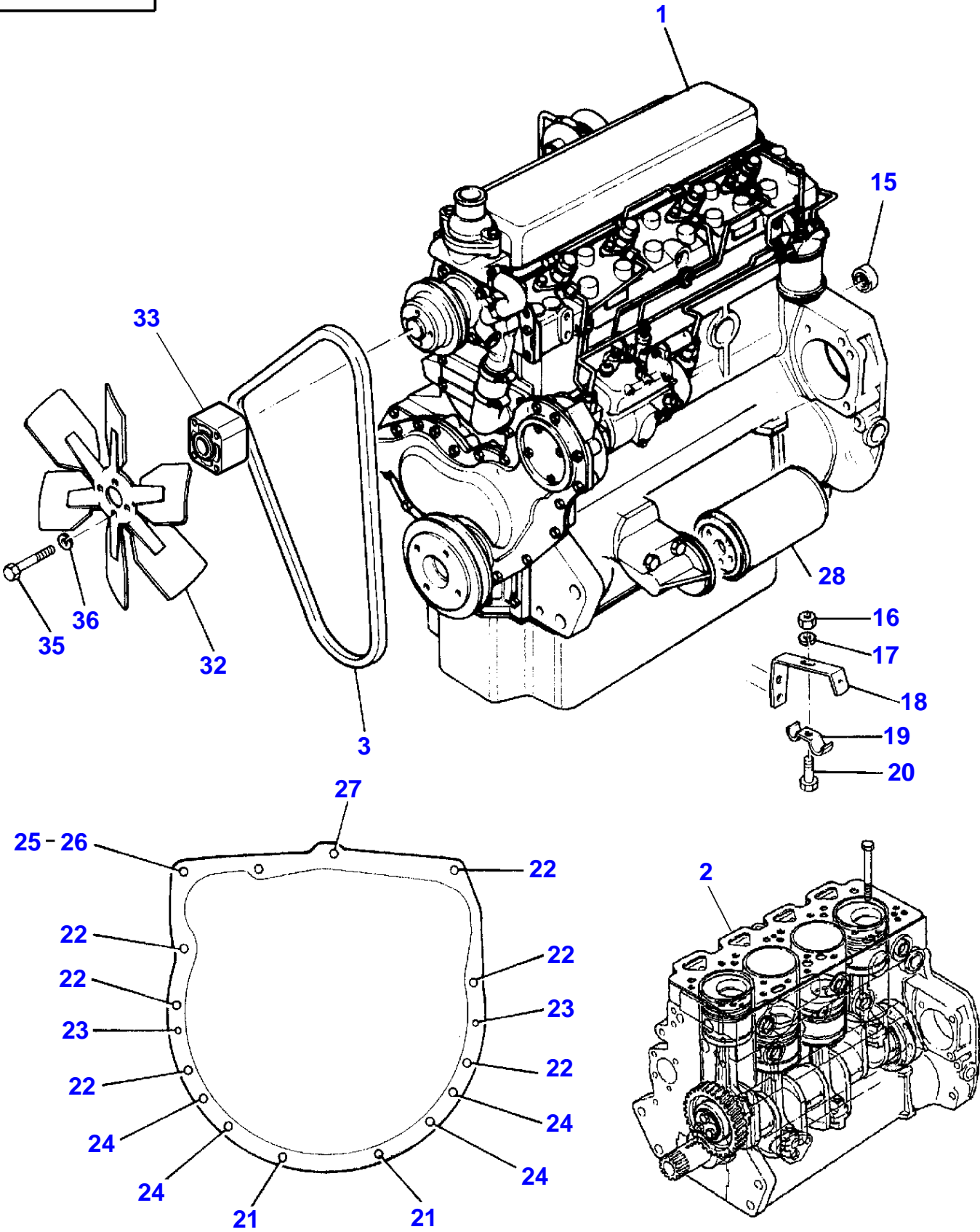
01 = LIVE SINGLE SPEED LOW FLOW PUMP  
02 = LIVE SINGLE SPEED HIGH FLOW PUMP  
03 = SINGLE SPEED IPTO  
04 = TWO SPEED SHIFTABLE 540/1000 REV MIN IPTO  
05 = TWO SPEED SHIFTABLE 540/1000 REV MIN IPTO WITH LOCKOUT  
06 = TWO SPEED SHIFTABLE ECONOMY 540/540 E

HYDRAULIC LIFT PUMP

A = STANDARD FLOW PUMP WITH BLACK MARKED RELIEF VALVE  
B = STANDARD FLOW PUMP WITH PLAIN NO MARK RELIEF VALVE  
C = STANDARD FLOW PUMP AUXILIARY PUMP (PLATED DRIVE) PLAIN RELIEF VALVE  
D = STANDARD FLOW PUMP AUXILIARY PUMP (PLATED DRIVE) BLACK RELIEF VALVE  
E = HIGH FLOW PUMP CENTRE SHIFT SHIFTABLE PTO  
F = HIGH FLOW PUMP SIDE SHIFT SHIFTABLE PTO  
G = DUMMY PUMP (FERMEC)

Description	Comments
.	REAR HOUSING For UK only or any text in English only
.	CARTER ARRIERE For France only or any text in French only
.	GEHAEUSE HINTEN For Germany only or any text in German only
.	CARCASSA POSTERIORE For Italy only or any text in Italian only
.	E ALOJAMIENTO TRASERO

3-AA02-030-B



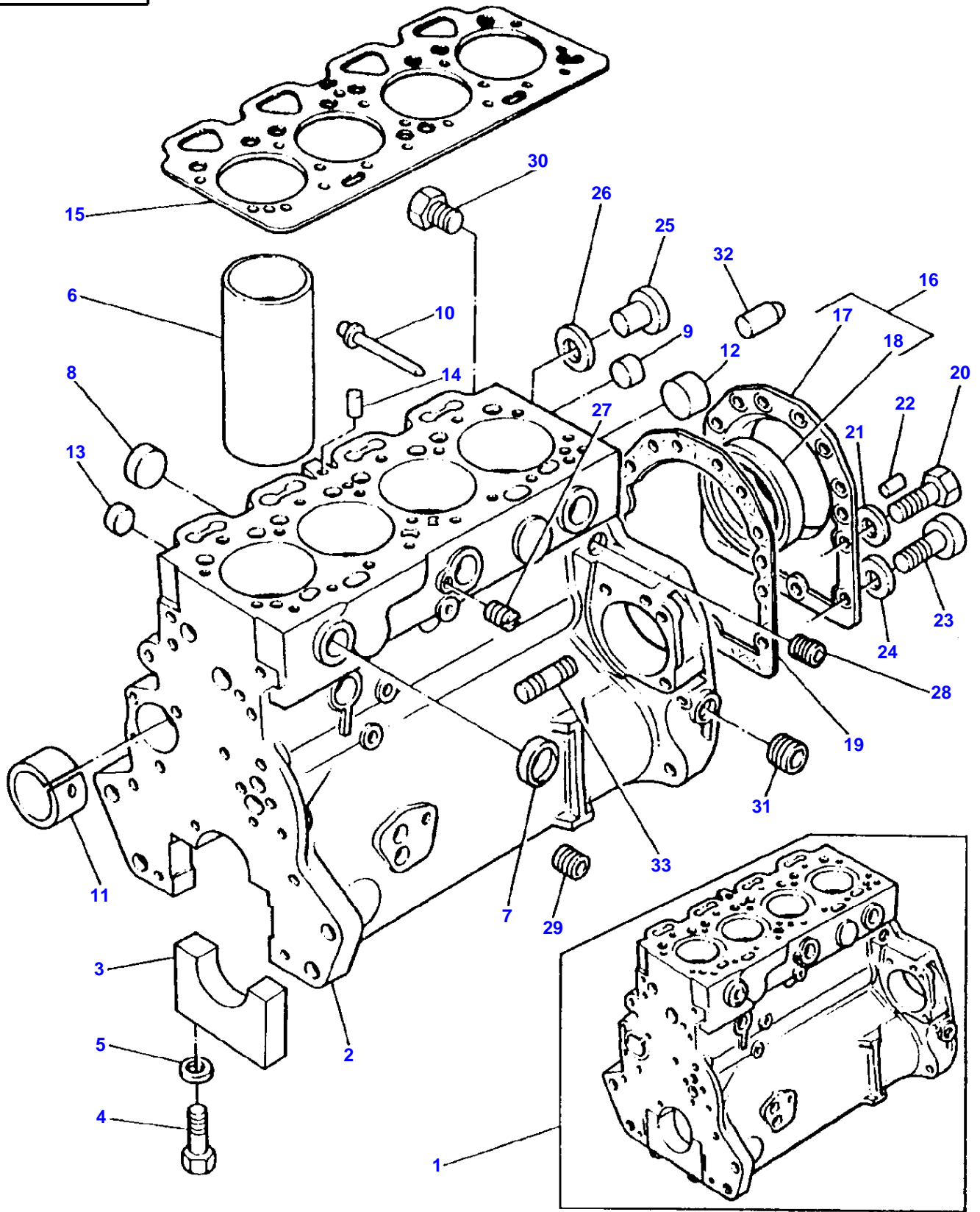
## Engine Installation

Item	Part Number	Qty	Description	Comments
1	3701467M91	1	Engine	[B] PEL - LJ31261
	1694431M92	1	Engine	PEL LJ31142
	3612677M92	1	Engine	[A] PEL LJ31239
2	3641149M91	1	Short Engine	PEL - LJ39323 Repairs and replaces 3478239M91 Repairs and replaces PEL LJ39305
3	<b>1693745M1</b>	1	V Belt	
	<b>1687610M91</b>	1	Kit, Belt	[A]
15	828123M2	1	Bearing Assy	
16	339030X1	1	Nut Metric	
17	339375X1	1	Lock Washer	
18	3612888M1	1	Bracket	
19	1876383M1	1	Clamp	
20	3001753X1	1	Screw Metric	
21	3019851X1	3	Bolt Metric	
22	3019853X1	5	Bolt Metric	
23	825302M1	2	Dowel	
24	3019855X1	4	Bolt Metric	
25	3019878X1	1	Bolt Metric	
26	3019862X1	1	Nut Metric	
27	3019858X1	1	Bolt Metric	M12 X 35/30 Up to Serial or Engine Number 30/11/96
	3807754M1	1	Bolt Metric	M12 X 45/30 From Serial or Engine Number 31/11/96
28	<b>1447048M1</b>	1	Oil Filter	
32	3637938M1	1	Fan	
33	3759095M1	1	Spacer	[A] Thickness 40,7MM
	736519M2	1	Spacer	Thickness 17,7MM Repairs and replaces 3638564M1
35	353521X1	4	Bolt Unf	
36	353446X1	4	Lock Washer	

FOOTNOTE [A] WITH AIR CONDITIONING

FOOTNOTE [B] LYBIA

L-0560-19M-A





Item	Part Number	Qty	Description	Comments
1	3637381M91	1	Cylinder Block	
2		1	Cylinder Block	(1) Not serviced,order REF.1
3		5	Bearing Cap	(1) Not serviced,order REF.1
4	1476108X1	10	Screw	(1)
5	733072M1	10	Ring	(1)
6	3637331M1	4	Liner	[A] (1)
	<b>3637332M1</b>	X	Liner	[B]
7	731354M1	6	Plug	(1)
8	735944M1	4	Plug	(1) Up to Serial or Engine Number 04/03/94
	746259M1	4	Plug	(1) From Serial or Engine Number 05/03/94
9	731354M1	2	Plug	(1)
10	1476282X1	1	Plug	(1)
11	4222017M1	1	Bush	(1) Repairs and replaces 3638093M1 Repairs and replaces 734883M1
12	4222043M1	1	Plug	(1) Replace and repair. Old not interchangeable with new 733705M1
13	4222012M1	4	Plug	(1)
14	736868M1	1	Plug	(1)
15	4222124M1	1	Gasket	Repairs and replaces 3637498M1 Replace and repair. Old not interchangeable with new 3638294M1
16	3640868M91	1	Housing	[C] Repairs and replaces 748163M91
17		1	Housing	(16) Not serviced,order REF.16
18	1447691M1	1	Seal	(16)
19	4223587M1	1	Joint	Up to Serial or Engine Number 04/03/94 Repairs and replaces 3638520M1 Repairs and replaces 740828M1
	4223587M1	1	Joint	From Serial or Engine Number 05/03/94
20	353519X1	10	Screw Unf	[D]
	353519X1	12	Screw Unf	[E]
21	375703X1	10	Washer	[D]
	375703X1	12	Washer	[E]
22	731947M1	2	Dowel	
23	357987X1	2	Bolt	
24	745015M1	2	Washer	
25	376180X1	1	Plug	(1)
26	3638664M1	1	Washer	Up to Serial or Engine Number 04/03/94
	4222124M1	1	Gasket	(1) From Serial or Engine Number 05/03/94 Replace and repair. Old not interchangeable with new 3638294M1
27	748040M1	1	Plug	
28	363819X1	2	Plug	Repairs and replaces 733067M1
29	731996M1	1	Plug	
30	376670X1	2	Plug	Up to Serial or Engine Number 04/03/94 Repairs and replaces 3637016M1
	363819X1	2	Plug	From Serial or Engine Number 05/03/94
31	363819X1	1	Plug	Repairs and replaces 733067M1
32	745017M1	1	Pointer	
33	731862M1	3	Stud	

FOOTNOTE [A] PRESS FIT

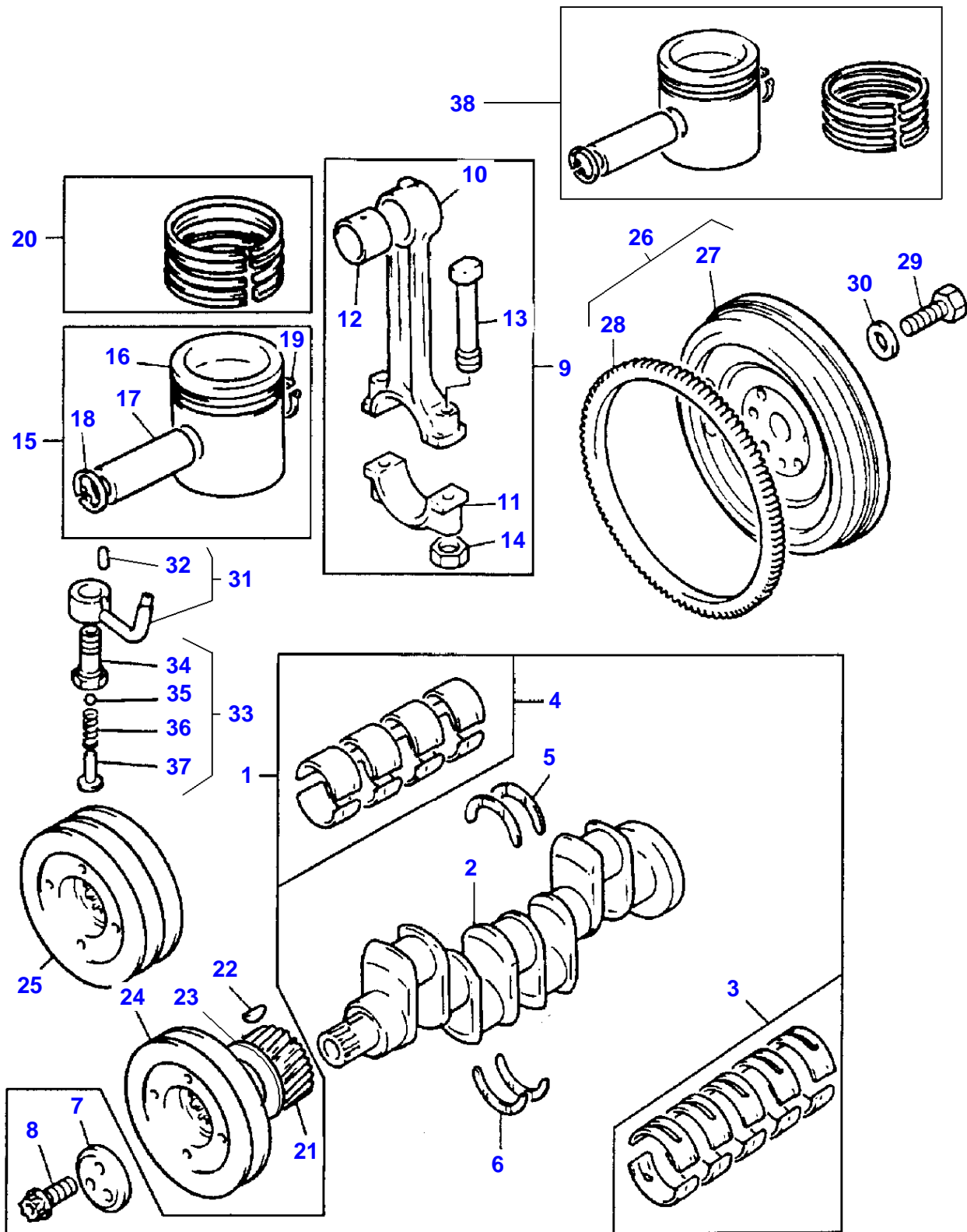
FOOTNOTE [B] SLIP FIT

FOOTNOTE [C] WAS 3638347M91 USE 3640868M91 + 3641089M1 + 353519 X1 (2) + 375703X1 (2) + 3641090M1

FOOTNOTE [D] USED ONLY WITH 748163M91/3638347M91

FOOTNOTE [E] USED ONLY WITH 3640868M91

L-0563-17M-E



Item	Part Number	Qty	Description	Comments
1	3637402M91	1	Kit, Crankshaft	
2		1	Crankshaft	(1) Not serviced,order REF.1
3	735168M91	1	Kit, Bearing	[A] (1) STANDARD
	735169M91	X	Kit, Bearing	[A] Thickness (-)0.25MM Thickness (-)0.010"
	735170M91	X	Kit, Bearing	[A] Thickness (-)0.50MM Thickness (-)0.020"
	735171M91	X	Kit, Bearing	[A] Thickness (-)0.75MM Thickness (-)0.030"
4	736950M91	1	Kit, Bearing	[A] (1) STANDARD Repairs and replaces 3637505M91
	736951M91	X	Kit, Bearing	[A] Thickness (-)0.25MM Thickness (-)0.010" Repairs and replaces 3637506M91
	736952M91	X	Kit, Bearing	[A] Thickness (-)0.50MM Thickness (-)0.020" Repairs and replaces 3637507M91
	736953M91	X	Kit, Bearing	[A] Thickness (-)0.75MM Thickness (-)0.030" Repairs and replaces 3637508M91
5	747128M1	2	Thrust Washer	(1)
	735742M1	X	Washer	Thickness (+)0.19MM Thickness (+)0.0075"
6	747129M1	2	Thrust Washer	(1)
	735743M1	X	Washer	Thickness (+)0.19MM Thickness (+)0.0075"
7	3638115M1	1	Thrust Block	(1)
8	3638113M1	3	Screw	(1)
9	3637028M91	4	Kit, Conrod	
10		1	Conrod	(9) Not serviced,order REF.9
11		1	Cap	(9) Not serviced,order REF.9
12	744971M1	1	Bush	(9)
13	4222485M1	2	Screw	(9) Replace and repair. Old not interchangeable with new 3637029M1
14	3637030M1	2	Nut	(9)
15	3637367M91	4	Kit, Piston	[B,F,H]
	3638494M91	4	Kit, Piston	[B,G,H] Alternative 3637367M91
	<b>3637360M91</b>	4	Kit, Piston	[C,F,H]
	3639438M1	4	Kit, Piston	[C,G,H] Alternative 3637360M91
16		1	Piston	(15) Not serviced,order REF.15
17		1	Pin	(15) Not serviced,order REF.15
18	1476196X1	1	Circlip	(15)
19	1476196X1	1	Circlip	(15)
20	3638721M91	4	Kit, Piston	Up to Serial or Engine Number U391618U
			Ring	Replace and repair. Old not interchangeable with new 747602M91
	3638721M91	4	Kit, Piston	From Serial or Engine Number U391619U
			Ring	Replace and repair. Old not interchangeable with new 747602M91
21	734749M1	1	Gear	Number of teeth/spines 28 Up to Serial or Engine Number U171963P
	3638105M1	1	Gear	Number of teeth/spines 28 From Serial or Engine Number U171964P
22	2196X	1	Key	
23	742539M1	1	Washer	[E]
24	3638098M1	1	Pulley	
25	747631M1	1	Pulley,Crank	[D]

Item	Part Number	Qty	Description	Comments
26	747577M91	1	Flywheel	
27		1	Flywheel	(26) Not serviced,order REF.26
28	731008M1	1	Annular Gear	(25) Number of teeth/spines 115
29	375763X1	6	Screw	Repairs and replaces 375833X1
30	745365M1	6	Washer	Repairs and replaces 737514M1
31	4222479M91	4	Jet	
32	4222512M1	1	Dowel	(31)
33	3637005M91	4	Valve	
34		1	Body	(33) Not serviced,order REF.33
35		1	Ball	(33) Not serviced,order REF.33
36		1	Spring	(33) Not serviced,order REF.33
37		1	Retainer	(33) Not serviced,order REF.33
38	3639514M1	4	Kit, Piston	[C,F,H]
38	3639515M1	4	Kit, Piston	[C,G,H] Alternative 3639514M1

FOOTNOTE [A] PRE-FINISHED

FOOTNOTE [B] UNTOPPED

FOOTNOTE [C] PRE-TOPPED

FOOTNOTE [D] PULLEY CRANKSHAFT 2 GROOVE AIR CONDITIONED

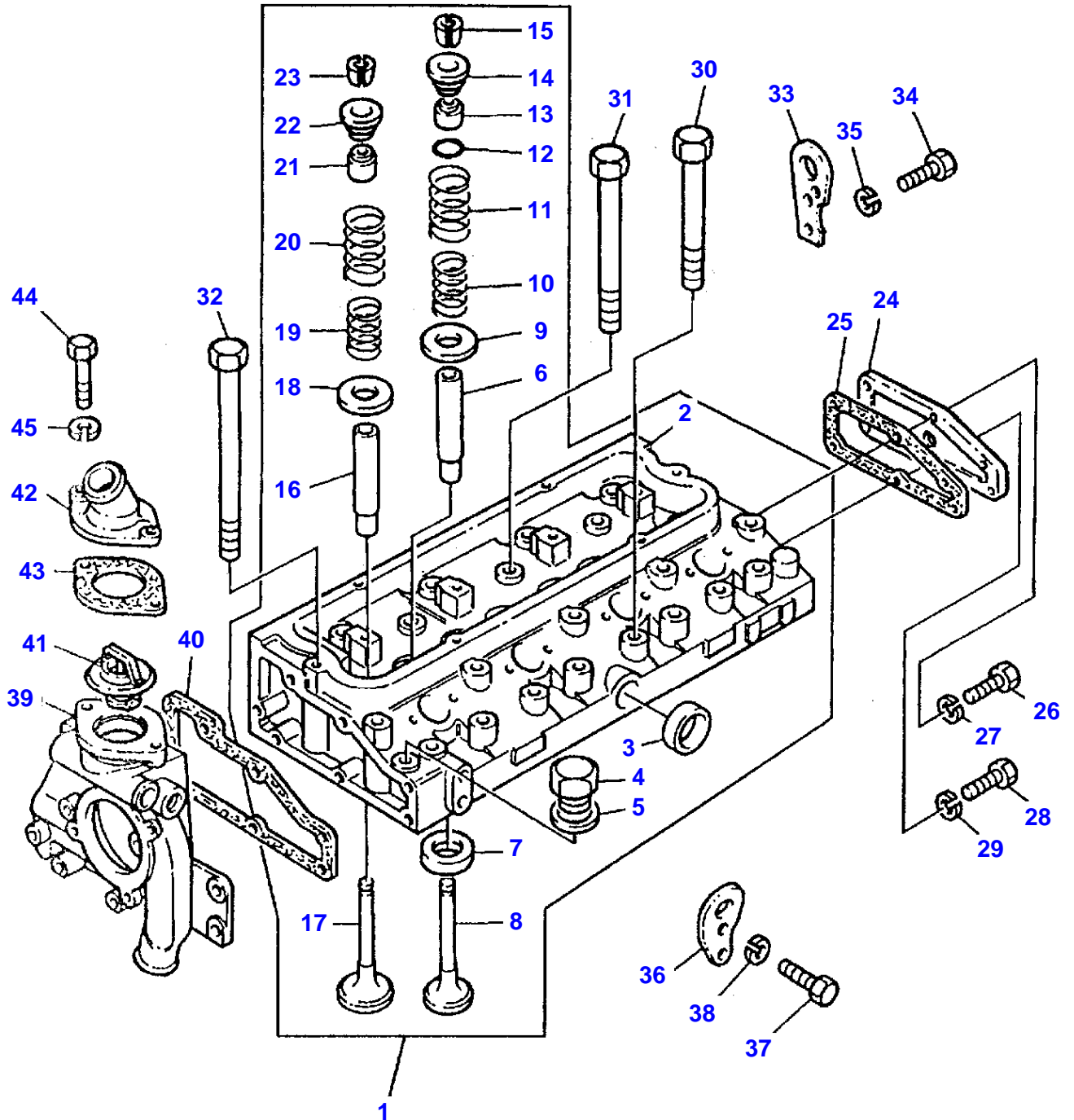
FOOTNOTE [E] USED ONLY WITH PULLEY 3638098M1

FOOTNOTE [F] PISTON TOP IDENTIFICATION "KS" UP TO NO. U433431U PERKINS IDENTIFIC. PLATE "S" FROM NO. U433432U

FOOTNOTE [G] PISTON TOP IDENTIFICATION "ML" UP TO NO. U433431U PERKINS IDENTIFIC. PLATE "L" FROM NO. U433432U

FOOTNOTE [H] THE HEIGHT GRADE OF THE PISTON IS IDENTIFIED BY AN ALPHA CHARACTER STAMPED ON THE TOP OF THE PISTON.

L-0566-17M-B



Item	Part Number	Qty	Description	Comments
1	3637385M91	1	Kit, Cyl. Head	Replace and repair. Old not interchangeable with new 3641837M91
2		1	Cylinder Head	(1) Not serviced,order REF.1
3	731354M1	1	Plug	(1)
4	731410M1	1	Plug	(1)
5	376178X1	1	Washer	(1)
6	4223074M1	4	Guide	[C] (1) Replace and repair. Old not interchangeable with new 748420M1
7	<b>743097M1</b>	4	Insert	(1)
8	<b>747552M1</b>	4	Valve Exhaust	(1)
	747553M1	X	Valve Exhaust	[B] Thickness (+)0.003"
	747554M1	X	Valve Exhaust	[B] Thickness (+)0.015"
	747555M1	X	Valve Exhaust	[B] Thickness (+)0.030"
9	733824M1	4	Washer	(1)
10	<b>735525M1</b>	4	Spring	(1)
11	<b>735521M1</b>	4	Spring	(1)
12	<b>1447652M1</b>	4	Ring	(1)
13	3637041M1	4	Seal	(1)
14	<b>746698M1</b>	4	Cap	(1)
15	736453M1	8	Cotter	[A] (1)
16	4223073M1	4	Guide	[C] (1) Replace and repair. Old not interchangeable with new 3640676M1
17	<b>746823M1</b>	4	Valve Inlet	(1)
	747546M1	X	Valve Inlet	[B] Thickness (+)0.003"
	747547M1	X	Valve Inlet	[B] Thickness (+)0.015"
	747548M1	X	Valve Inlet	[B] Thickness (+)0.030"
18	733824M1	4	Washer	(1)
19	<b>735525M1</b>	4	Spring	(1)
20	<b>735521M1</b>	4	Spring	(1)
21	3637041M1	4	Seal	(1)
22	<b>746698M1</b>	4	Cap	(1)
23	736453M1	8	Cotter	[A] (1)
24	748368M1	1	Plate	
25	3638693M1	1	Joint	
26	353518X1	4	Screw Unf	
27	339374X1	4	Lock Washer	
28	353536X1	2	Screw Unf	
29	353434X1	2	Lock Washer	
30	747743M1	8	Screw	
31	747742M1	12	Bolt	
32	747741M1	2	Screw	
33	3638411M1	1	Plate	
34	353538X1	2	Screw Unf	1"UNFX3/8"
35	353434X1	2	Lock Washer	
36	747835M1	1	Plate	Repairs and replaces 3638162M1
37	353538X1	2	Screw Unf	
38	353434X1	2	Lock Washer	
39		1	Housing	[D]
40		1	Joint	[D]
41		1	Thermostat	[D]
42	3638193M1	1	Connection	
43	<b>745106M1</b>	1	Joint	
44	353538X1	2	Screw Unf	Repairs and replaces 345127X1
	376504X1	2	Bolt	[F]
45	353434X1	2	Lock Washer	
	376642X1	2	Shim	[F]

FOOTNOTE [A] SERVICED IN PAIRS

FOOTNOTE [B] OVERSIZE VALVES CAN ONLY BE USED WITH CYLINDER HEADS WHEN VALVE GUIDES ARE NOT FITTED.

FOOTNOTE [C] USED ONLY WITH HEADS MACHINED TO ACCOMMODATE VALVE GUIDES

FOOTNOTE [D] SEE WATER PUMP SECTION

**Buy Now**



Our support email:

[ebooklibonline@outlook.com](mailto:ebooklibonline@outlook.com)