

# OPERATOR'S MANUAL

---

**NEW HOLLAND**

**TS100A**

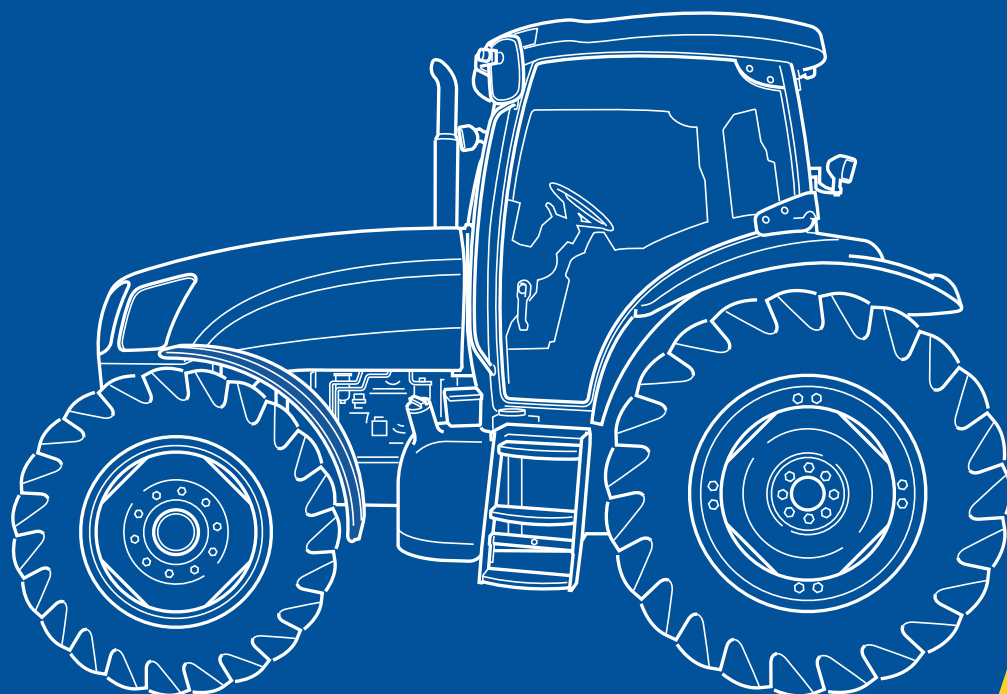
**TS110A**

**TS115A**

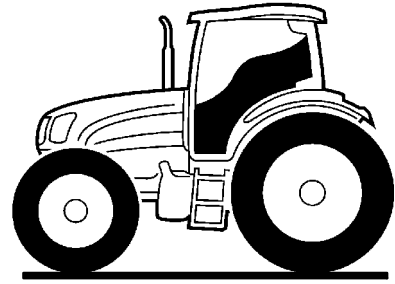
**TS125A**

**TS135A**

TS-A Plus Tractors



**NEW HOLLAND**



TS100A

TS110A

TS115A

TS125A

TS135A

TS-A Plus Tractors

**OPERATOR'S MANUAL**



**NEW HOLLAND**

### **Electro-magnetic Interference (EMC)**

This tractor complies strictly with the European Regulations on electro-magnetic emissions. However, interference may arise as a result of add-on equipment which may not necessarily meet the required standards. As such interference can result in serious malfunction of the unit and/or create unsafe situations, you must observe the following:

- Ensure that each piece of non-New Holland equipment fitted to the tractor bears the CE mark.
- The maximum power of emission equipment (radio, telephones, etc.) must not exceed the limits imposed by the national authorities of the country where you use the tractor.
- The electro-magnetic field generated by the add-on system should not exceed 24 V/m at any time and at any location in the proximity of electronic components.

Failure to comply with these rules will render the New Holland warranty null and void.

# CONTENTS

| Title                                                  | Page  |
|--------------------------------------------------------|-------|
| <b>Section 1 - General Information and Safety</b>      |       |
| To the Owner .....                                     | 1-1   |
| Product Identification .....                           | 1-2   |
| Ecology and the Environment .....                      | 1-5   |
| Safety Precautions .....                               | 1-6   |
| Safety Decals .....                                    | 1-12  |
| International Symbols .....                            | 1-17  |
| Airborne Noise Emission .....                          | 1-18  |
| <b>Section 2 - Controls, Instruments and Operation</b> |       |
| Cab .....                                              | 2-7   |
| Seats .....                                            | 2-24  |
| Handbrake, Throttle and Foot Controls .....            | 2-29  |
| Instrument Console .....                               | 2-31  |
| Analogue/Digital Instruments .....                     | 2-36  |
| Synchro Command Transmission (12 x 12) .....           | 2-65  |
| Dual Command Transmission (24 x 24) .....              | 2-71  |
| Electro Command Transmission (16 x 16) .....           | 2-82  |
| Differential Lock and Four Wheel Drive .....           | 2-100 |
| <b>Section 3 - Field Operation</b>                     |       |
| Important Information .....                            | 3-2   |
| Using Jump Leads (Booster Cables) .....                | 3-4   |
| Starting and Stopping the Engine .....                 | 3-6   |
| Engine Power Management .....                          | 3-9   |
| Fast Steer .....                                       | 3-12  |
| Rear Power Take-Off .....                              | 3-14  |
| Front Power Take-Off and Hydraulic Lift .....          | 3-32  |
| Mechanical Lower Link Sensing Hydraulics .....         | 3-40  |
| Electronic Draft Control .....                         | 3-46  |
| Headland Turn Sequence .....                           | 3-58  |
| Remote Control Valves .....                            | 3-64  |
| Electro-Hydraulic Remote Control Valves .....          | 3-72  |
| Three-point Linkage .....                              | 3-86  |
| Quick Hitch .....                                      | 3-93  |
| Linkage Stabilisers .....                              | 3-95  |
| Drawbars and Towing Attachments .....                  | 3-100 |
| Hydraulic Trailer Brakes .....                         | 3-112 |
| Air-Operated Trailer Brakes .....                      | 3-114 |
| Front Wheel Track Adjustment .....                     | 3-120 |
| Rear Wheel Track Adjustment .....                      | 3-129 |
| Ballasting and Tyres .....                             | 3-137 |

## **Section 4 - Lubrication and Maintenance**

|                                                 |      |
|-------------------------------------------------|------|
| General Information .....                       | 4-1  |
| Guard Removal .....                             | 4-4  |
| Lubrication and Maintenance Chart .....         | 4-7  |
| Servicing: When Warning Lights Illuminate ..... | 4-9  |
| 10-hour/daily service .....                     | 4-13 |
| 50-hour service .....                           | 4-15 |
| 100-hour service .....                          | 4-28 |
| 300-hour service .....                          | 4-28 |
| 600-hour service .....                          | 4-35 |
| 1200-hour/12 month service .....                | 4-41 |
| 1200-hour/24 month service .....                | 4-46 |
| 1800-hour service .....                         | 4-52 |
| Every 3 years .....                             | 4-53 |
| General Maintenance - as required .....         | 4-54 |

## **Section 5 - Fault Finding**

|                                                     |      |
|-----------------------------------------------------|------|
| Introduction .....                                  | 5-1  |
| Engine .....                                        | 5-2  |
| Transmission - 12 x 12 Synchro Command .....        | 5-5  |
| Transmission - 24 x 24 Dual Command .....           | 5-6  |
| Transmission - 16 x 16 (17 x 16) Electroshift ..... | 5-7  |
| Hydraulics .....                                    | 5-8  |
| Three-point lift .....                              | 5-9  |
| Brakes .....                                        | 5-10 |
| Cab .....                                           | 5-10 |
| Electrical .....                                    | 5-11 |

## **Section 6 - Vehicle Storage** ..... 6-1

## **Section 7 - Accessories**

|                                                    |     |
|----------------------------------------------------|-----|
| Rotating Beacon .....                              | 7-2 |
| Engine Coolant Immersion Heater .....              | 7-2 |
| Transmission Oil Heater .....                      | 7-3 |
| 40 Amp Socket and Cable .....                      | 7-3 |
| Auxiliary Headlights .....                         | 7-4 |
| Battery Isolator Switch .....                      | 7-4 |
| Loader Subframe and Control Valve (Joystick) ..... | 7-5 |

**Section 8 - Specification**

General Dimensions ..... 8-2

Vehicle Weights ..... 8-6

Lubricant and Fluid Capacities ..... 8-8

Engine ..... 8-9

Fuel System ..... 8-9

Cooling System ..... 8-10

Transmission Options ..... 8-10

Maximum Operating Angle ..... 8-11

Rear Power Take-Off ..... 8-11

Front Power Take-Off ..... 8-11

Hydraulic System ..... 8-12

Three-Point Lift ..... 8-13

Remote control valves ..... 8-17

Front Power Lift ..... 8-17

Front Remote Valves ..... 8-18

Brakes ..... 8-18

Steering ..... 8-18

Electrical Equipment ..... 8-19

Hardware Torque Tables ..... 8-20

**Section 9 - First 50-hour Service Forms** ..... 9-1

**Section 10 - Index** ..... 10-1

# SECTION 1

## GENERAL INFORMATION AND SAFETY

### TO THE OWNER

#### GENERAL

This Manual has been prepared to assist you in the correct procedure for running-in, driving and operating and for the maintenance of your new tractor. Read this Manual carefully. Your tractor is intended for use in normal and customary agricultural applications.

If at any time you require advice concerning your tractor, do not hesitate to contact your authorised dealer. He has factory trained personnel, genuine manufacturers' parts and the necessary equipment to carry out all your service requirements.

Your tractor has been designed and built to give maximum performance, economy and ease of operation under a wide variety of operating conditions. Prior to delivery, the tractor was carefully inspected, both at the factory and by your dealer to ensure that it reaches you in optimum condition. To maintain this condition and ensure trouble-free operation, it is important that the routine services, as specified in Section 4 of this Manual, are carried out at the recommended intervals.

#### OPERATORS MANUAL STORAGE

A storage pocket for the Operators Manual can be found on the rear of the seat. The manual should be kept in this pocket at all times when not in use.

#### CLEANING THE TRACTOR

Your tractor is a state-of-the-art machine with sophisticated, electronic controls. This should be borne in mind when cleaning the tractor, particularly if using a high pressure washer. Even though every precaution has been taken to safeguard electronic components and connections, the pressure generated by some of these machines is such that complete protection against water ingress cannot be guaranteed.

When using a high pressure washer, do not stand too close to the tractor and avoid directing the jet at electronic components, electrical connections, breathers, seals, filler caps, etc. Never direct a cold water jet at a hot engine or exhaust.

### SAFETY

Pages 1-6 to 1-11 inclusive list the precautions to be observed to ensure your safety and the safety of others. Read the safety precautions and follow the advice offered **before** operating the tractor.

#### FIRST 50 HOUR SERVICE

In Section 9, at the back of this Manual, you will find the 50-hour service reports.

After you have operated the tractor for 50 hours, take your tractor, together with this Manual, to your dealer. He will then perform the factory recommended 50 hour service and complete the service report sheets (pages 9-1 and 9-3). The first sheet (page 9-1) is the dealer's copy and should be removed by the dealer after the service has been carried out. The second sheet (page 9-3) is your copy of the service performed. **Ensure that you and the dealer sign both copies.**

#### SERVICE PARTS

It should be pointed out that genuine parts have been examined and approved by the Company. The installation and/or use of 'non-genuine' products could have negative effects upon the design characteristics of your tractor and thereby affect its safety. The Company is not liable for any damage caused by the use of 'non-genuine' parts and accessories. Only genuine New Holland replacement parts should be used. The use of non-genuine parts may invalidate legal approvals associated with this product.

It is prohibited to carry out any modifications to the tractor unless specifically authorised, in writing, by the After Sales Service department of the Company.

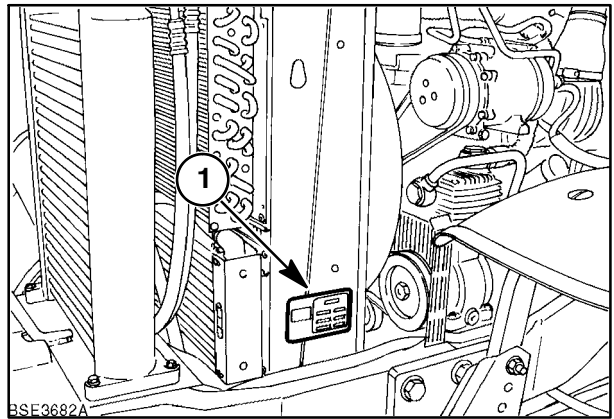
#### WARRANTY

Your tractor is warranted according to legal rights in your country and the contractual agreement with the selling dealer. No warranty shall, however, apply if the tractor has not been used, adjusted and maintained according to the instructions given in the Operator's Manual.

## PRODUCT IDENTIFICATION

The tractor and major components are identified using serial numbers and/or manufacturing codes. Tractor identification data must be supplied to the dealer when requesting parts or service and will also be needed to aid in identifying the tractor if it is ever stolen.

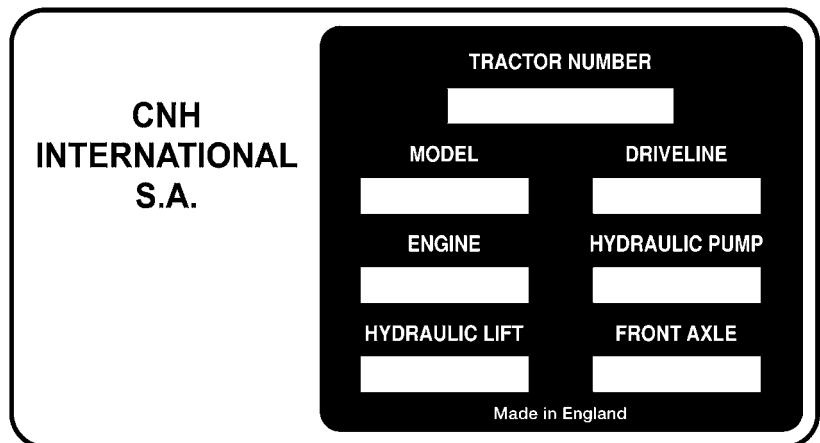
The following provides the locations of the identification data.



1

## Vehicle Identification Plate

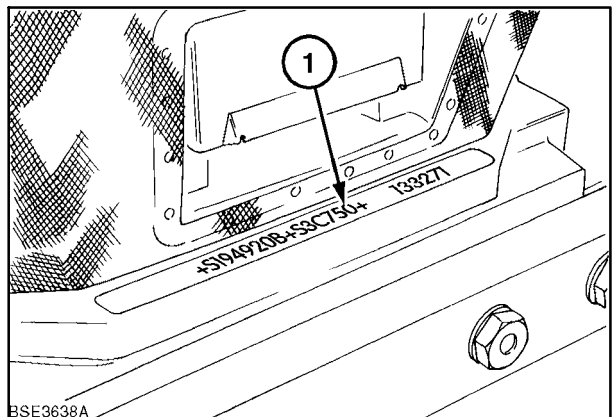
The vehicle identification plate, (1) Figure 1 is located on the left-hand radiator support. Record the information on the sample identification plate provided below.



2

## Tractor Identification

The serial number and model identification information is stamped on the top of the front support (1). These numbers are also repeated on the vehicle identification plate reproduced above.



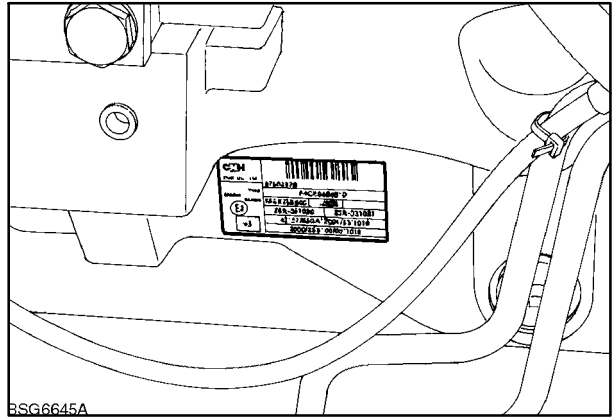
3



**Engine Identification**

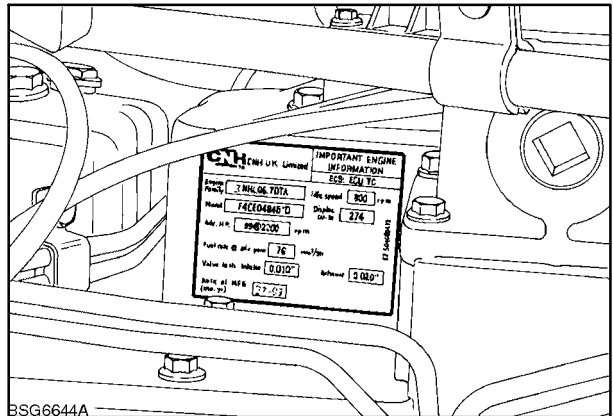
The engine serial number and date code are stamped on the engine identification plate.

On TS100A and TS115A models, the engine identification plate is located on the right-hand side of the engine sump.



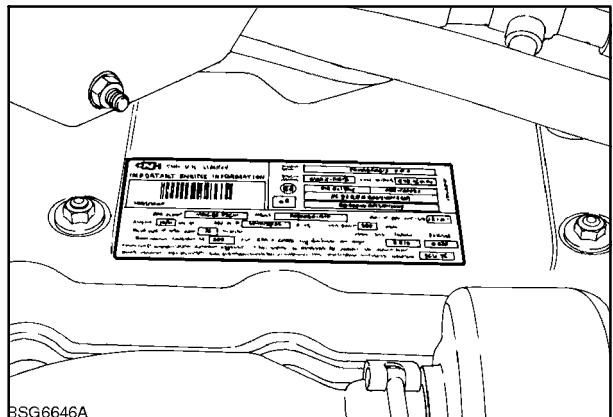
4

Further information relating to engine adjustments and Emission Regulations can be found on a plate located on the left-hand side of the engine valve cover.



5

For TS110A, TS125A and TS135A models the plate can be found on top of the engine attached to the valve cover. The plate also provides information on engine adjustments and compliance with Emission Regulations where required.



6

Record the information below for quick reference.

Engine Serial No. \_\_\_\_\_

**Emission Control Decal (TS100A and TS115A)**

Located on the left-hand side of the engine valve cover. The Emission Control Decal provides information on engine adjustments and compliance with Emission Regulations where required.

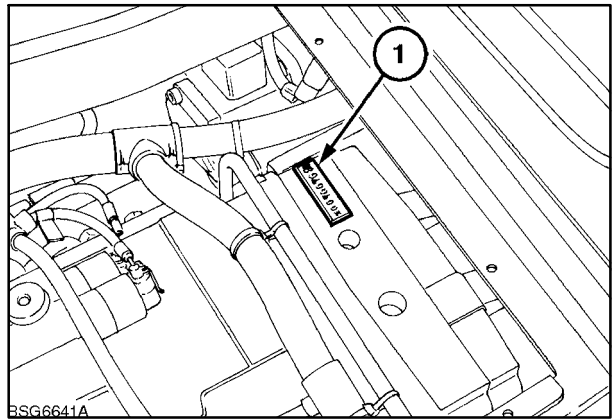
| CNH International SA                                                        |         | IMPORTANT ENGINE INFORMATION                                                                                                                             |                                             |
|-----------------------------------------------------------------------------|---------|----------------------------------------------------------------------------------------------------------------------------------------------------------|---------------------------------------------|
| Engine family                                                               | Model   | Date of MFG (mo-yr)                                                                                                                                      | Displac cu. in.                             |
| Adv H.P.                                                                    | r.p.m.  | Idle speed r.p.m.                                                                                                                                        | Fuel rate @ adv. pwr. mm <sup>3</sup> /str. |
| Valve lash: Intake                                                          | Exhaust | This engine conforms to U.S. EPA & CARB regulations for large non-road compression ignition engines. This engine is certified to operate on diesel fuel. |                                             |
| When making adjustments, set parking brake and block wheels. E.C.S.: ECU TC |         |                                                                                                                                                          |                                             |

7

**Driveline Identification**

The serial number plate (1) is located on top of the transmission casing. Access to the number can be gained by removing the plate in the floor of the cab as shown in the illustration. This number is repeated on the vehicle identification plate. Record the information below for quick reference.

Driveline Serial No. \_\_\_\_\_

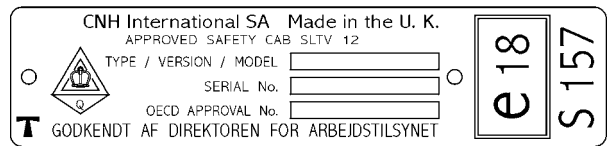


8

**Cab Identification**

The cab serial number and other information is on the OECD certification plate. This plate can be found on the right-hand side of the cab trim panel, below the rear window. Record the cab serial number below for quick reference.

Cab Serial No. \_\_\_\_\_

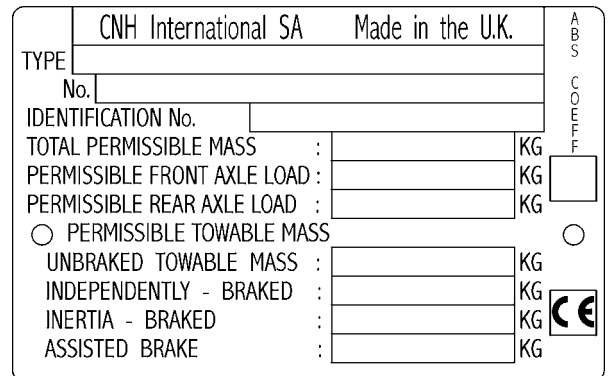


9

**Vehicle Weight Information**

The Vehicle Weighting Plate provides important information on tractor and towed equipment weight combinations. This plate can be found on the right-hand side of the cab trim panel, below the rear window.

The figures shown are the maximum permissible weights and should not be exceeded, to do so may affect the safe operation of the tractor.



10

## ECOLOGY AND THE ENVIRONMENT

Soil, air and water are vital factors of agriculture and life in general. Where legislation does not yet rule the treatment of some of the substances which are required by advanced technology, common sense should govern the use and disposal of products of a chemical and petrochemical nature.

The following are recommendations which may be of assistance:

- Become acquainted with and ensure that you understand the relative legislation applicable to your country.
- Where no legislation exists, obtain information from suppliers of oils, filters, batteries, fuels, anti freeze, cleaning agents, etc., with regard to their effect on man and nature and how to safely store, use and dispose of these substances. Agricultural consultants will, in many cases, be able to help you as well.

### HELPFUL HINTS

1. Avoid filling tanks using unsuitable containers or inappropriate pressurised fuel delivery systems which may cause considerable spillage.
2. In general, avoid skin contact with all fuels, oils, acids, solvents, etc. Most of them contain substances which can be harmful to your health.

3. Modern oils contain additives. Do not burn contaminated fuels and/or waste oils in ordinary heating systems.
4. Avoid spillage when draining off used engine coolant mixtures, engine, gearbox and hydraulic oils, brake fluids, etc. Do not mix drained brake fluids or fuels with lubricants. Store them safely until they can be disposed of in a proper way to comply with local legislation and available resources.
5. Modern coolant mixtures, i.e. antifreeze and other additives, should be replaced every two years. They should not be allowed to get into the soil but should be collected and disposed of safely.
6. Do not open the air-conditioning system yourself. It contains gases which should not be released into the atmosphere. Your dealer or air conditioning specialist has a special extractor for this purpose and will have to recharge the system anyway.
7. Repair any leaks or defects in the engine cooling or hydraulic system immediately.
8. Do not increase the pressure in a pressurised circuit as this may lead to the components exploding.
9. Protect hoses during welding as penetrating weld splatter may burn a hole or weaken them, causing the loss of oils, coolant, etc.

## SAFETY PRECAUTIONS

A careful operator is the best operator. Most accidents can be avoided by observing certain precautions. To help prevent accidents, read and take the following precautions **before** driving, operating or servicing the tractor. Equipment should be operated only by those who are responsible and instructed to do so.

### PRECAUTIONARY STATEMENTS

Throughout this Manual you will see text, preceded by the words **NOTE**, **ATTENTION**, **IMPORTANT**, **CAUTION**, **WARNING** or **DANGER**. Such text has the following significance:

#### MACHINE SAFETY

**NOTE:** This text stresses a correct operating technique or procedure.

**ATTENTION:** This text warns the operator of potential machine damage if a certain procedure is not followed.

**IMPORTANT:** This text informs the reader of something that he needs to know to prevent minor machine damage if a certain procedure is not followed.

#### PERSONAL SAFETY



The word **CAUTION** is used where a safe behavioural practice, according to operating and maintenance instructions and common safety practices will protect the operator and others from accident involvement.



The word **WARNING** denotes a potential or hidden hazard which could possibly cause serious injury. It is used to warn operators and others to exercise due care and attention to avoid a surprise accident with machinery.

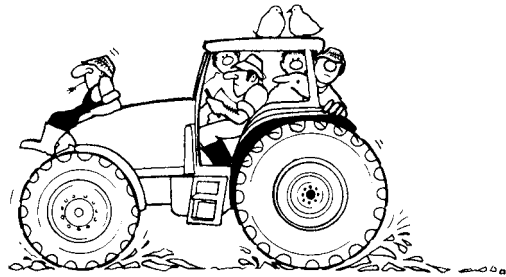


The word **DANGER** denotes a forbidden practice in connection with a serious hazard.

Failure to follow the **CAUTION**, **WARNING** and **DANGER** instructions may result in serious bodily injury or even death.

### THE TRACTOR

1. Read the Operator's Manual carefully before using the tractor. Lack of operating knowledge can lead to accidents.
2. Only allow properly trained and qualified persons to operate the tractor.
3. To prevent falls, use the handrails and step plates when getting on and off the tractor. Keep steps and platform clear of mud and debris.
4. Replace all missing, illegible or damaged safety decals.
5. Keep safety decals free of dirt or grime.



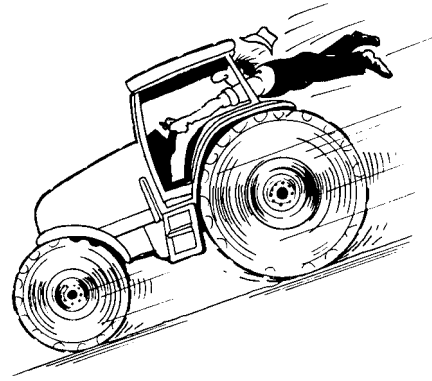
6. Do not permit anyone but the operator to ride on the tractor except for driver training or instruction. When used for these purposes an additional seat may be fitted in the cab. Passengers should not be carried on the tractor at any time.
7. Keep children away from the tractor and farm machinery at all times.
8. Do not modify or alter or permit anyone else to modify or alter the tractor or any of its components or any tractor function without first consulting your dealer.
9. Install all guards before starting the engine or operating the tractor.

## DRIVING THE TRACTOR

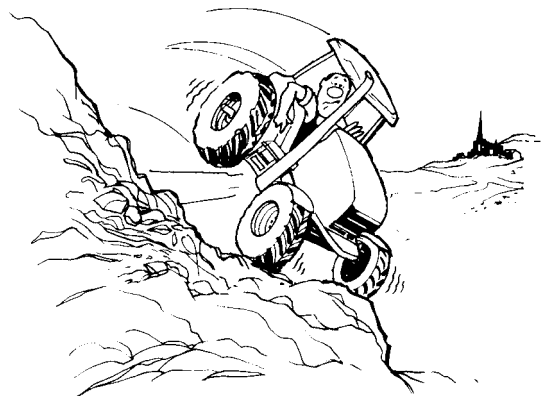
1. Always sit in the driver's seat while starting or driving the tractor.
2. When driving on public roads, have consideration for other road users. Pull in to the side of the road occasionally to allow any following traffic to pass. Do not exceed the legal speed limit set in your country for agricultural tractors.
3. Use a rotating beacon and/or Slow Moving Vehicle warning when driving on public roads to indicate that the vehicle is slow moving and is a possible hazard.
4. Dip the tractor lights when meeting a vehicle at night. Make sure the lights are adjusted to prevent blinding the driver of an oncoming vehicle.
5. Reduce speed before turning or applying the brakes. Brake both wheels simultaneously when making an emergency stop. Ensure that both brake pedals are locked together when travelling at road speeds or when on public roads to ensure correct operation of trailer brakes, balanced operation of the tractor brakes and four wheel braking (4WD tractors only).



6. On four wheel drive tractors, the drive to the front axle is automatically engaged, to provide four wheel braking, when both footbrakes are applied. Owners should be aware of the effectiveness of four wheel braking which greatly enhances braking performance. Appropriate care should be exercised during fierce braking.
7. Use extreme caution and avoid hard application of the tractor brakes when towing heavy loads at road speeds.



8. Keep the tractor in the same gear when going downhill as would be used when going uphill. Do not coast or freewheel down hills.
9. For safe operation any towed vehicle whose total weight exceeds that of the towing tractor must be equipped with a braking system that complies with the legal requirements of that country.
10. Never apply the differential lock when turning. When engaged, the differential lock will prevent the tractor from turning.
11. Always check overhead clearance, especially when transporting the tractor. Watch where you are going, especially at row ends, on roads and around trees and low overhanging obstacles.
12. To avoid overturns, drive the tractor with care and at speeds compatible with safety, especially when operating over rough ground, when crossing ditches or slopes and when turning corners.



13. Use extreme caution when operating on steep slopes.
14. If the tractor becomes stuck or the tyres are frozen to the ground, reverse the tractor out to prevent overturning.

Thank you so much for reading.  
Please click the “Buy Now!”  
button below to download the  
complete manual.



After you pay.

You can download the most  
perfect and complete manual in  
the world immediately.

Our support email:

[ebooklibonline@outlook.com](mailto:ebooklibonline@outlook.com)