

**PUMA 115
PUMA 125
PUMA 140
PUMA 155
Tractors**

Operator's Manual

Print No. 84147138

3rd edition
NA English 08/08



PUMA 115
PUMA 125
PUMA 140
PUMA 155
Tractors

Operator's Manual

Print No. 84147138

3rd edition

NA English 08/08



TO THE OWNER

This manual contains information concerning the adjustment and maintenance of your Case IH Puma 115, 125, 140, and 155 Tractors. You have purchased a dependable machine, but only by proper care and operation can you expect to receive the performance and long service built into this tractor. Please have all operators read this manual carefully and keep it available for ready reference.

Your Case IH dealer will instruct you in the general operation of your tractor. (Refer to the "Delivery Report" at the back of this manual.) Your dealer's staff of factory-trained service technicians will be glad to answer any questions that may arise regarding the operation of your tractor.



Your Case IH dealer carries a complete line of genuine Case IH service parts. These parts are manufactured and carefully inspected to insure high quality and accurate fitting of any necessary replacement parts. Be prepared to give your dealer the model and product identification number of the tractor, when ordering parts. Locate these numbers now and record them below. Refer to the "General Information" section of this manual for the location of the model and product identification numbers of your mower-tractor.

Model _____ Engine Model _____

Product Identification Number _____ Engine Product Identification Number _____

 **WARNING** 

This safety alert symbol indicates important safety messages in this manual. When you see this symbol, carefully read the message that follows and be alert to the possibility of personal injury or death.

 **WARNING** 

Pictures in this manual may show protective shielding open or removed to better illustrate a particular feature or adjustment.

Be certain, however, to close or replace all shielding before operating the machine.

IMPROVEMENTS

CNH America LLC is continually striving to improve its products. We reserve the right to make improvements or changes when it becomes practical and possible to do so, without incurring any obligation to make changes or additions to the equipment sold previously.

CONTENTS

Section 0

To the Owner	0-1
Improvements	0-1
Federal Emissions Warranty	0-4
California Emission Control Warranty Statement	0-5

Section 1

General Information and Safety	1-1
Transporting Towed Equipment at Safe Speeds	1-5
Ecology and the Environment	1-6
Precautionary Statements	1-7
Safety Precautions	1-8
Operator Protective Structure	1-13, 1-16
Fire or Explosion Prevention	1-14
Fire Prevention - Engine Area	1-15
Safety Decals	1-17
International Symbols	1-23
Airborne Noise Emission	1-24

Section 2

Controls, Instruments and Operation	2-1
Cab and Platform Controls	2-2
Switch Panels	2-4
Electrical Power Connectors	2-21

Section 3

Field Operations	3-1
Starting the Tractor With Jumper Cables	3-6
Stopping the Engine	3-10
Zero Pressure Hydraulic Return Port (Case Drain)	3-69
Drawbars and Towing Attachments	3-77
Trailer Braking Systems	3-80

Section 4

Lubrication and Maintenance	4-1
General Information	4-1
Lubrication and Maintenance Chart	4-9
When the Warning Symbol Appears	4-11
Every 10 Hours of Operation or Daily	4-14
Every 50 Hours	4-17
Every 100 Hours	4-27
Every 300 Hours	4-28
Every 600 Hours	4-30
Every 1200 Hours or 12 Months	4-36
Every 1200 Hours or 2 Years	4-41
Every 3 Years	4-47
General Maintenance	4-48

Section 5

Fault Finding	5-1
---------------------	-----

Section 6

Accessories	6-1
-------------------	-----

Section 7

Specifications	7-1
Minimum Hardware Tightening Torques	7-13

Section 8

Delivery Report	8-1
First 50 Hour Service	8-5

Section 9

Index	9-1
-------------	-----

Section 10

Supplemental Information	10-1
3-Pin Implement Socket	10-2
Hydraulic Power Boost	10-3
Proportional Joystick	10-4
Electronic Joystick	10-5
Additional Tyre Offering	10-8
Transmission/Hydraulic Oil Filter Change	10-9

FEDERAL EMISSIONS WARRANTY

(California owner's emissions warranty is covered elsewhere)

CNH UK Ltd warrants that your new 1996 and later heavy-duty off-road diesel engine was designed, built, and equipped to conform to applicable U.S. Environmental Protection Agency regulations for a period of use of five years or 3,000 hours of operation, whichever occurs first.

The new model year, class of diesel engine, and emission application determination for your engine are identified on the emission control information label affixed to the engine. the warranty period begins on the date the new equipment is sold to the first retail purchaser.

Any emission control system parts which are proven defective during normal use will be repaired or replaced during the warranty period. the warranty repairs and service will be performed by any authorized CNH dealer at the dealer's place of business, with no charge for parts or labor (including diagnosis).

As the engine owner, you are responsible to perform all the required maintenance listed in your owner's manual. CNH UK Ltd will not deny an emission warranty claim solely because you have no record of maintenance; however, a claim may be denied if your failure to perform maintenance resulted in the failure of a warranted part. Receipts covering regular maintenance should be retained in the event of questions and these receipts should be passed on to each subsequent owner of the engine.

It is recommended replacement parts used for maintenance or repairs be CNH Service Parts to maintain the quality originally designed into your emission certified engine. the use of non-CNH parts does not invalidate the warranty on other components unless the use of such parts causes damage to warranted parts.

CNH UK Ltd wishes to assure the emission control systems warranty is being properly administered. If you believe you have not received the service entitled to under this warranty, you should contact the nearest CNH Office for assistance. the address and phone number of each Office is in your equipment owner's manual. If additional assistance or information is needed, contact:

Service Department
CNH America, LLC
500 Diller Avenue
New Holland, PA 17557
(717) 355-1121

Please note that the Emission Warranty does not cover:

1. Systems and parts that were not first installed on the new equipment or engine as original equipment by CNH UK Ltd.
2. Part malfunctions caused by abuse, misuse, improper adjustment, modification, alteration, tampering, disconnection, improper or inadequate maintenance, or use of non-recommended fuels and lubricating oils.
3. Accident caused damage, acts of nature, or other events beyond CNH UK Ltd's control.
4. Replacement of expendable items made in connection with scheduled maintenance.
5. Parts requiring replacement, inspection or adjustment maintenance intervals for reasons other than being defective.
6. Parts which are not CNH Service Parts.
7. Loss of time, inconvenience, loss of use of equipment/engine or commercial loss.
8. Equipment with altered or disconnected hourmeter where the hours cannot be determined.
9. Equipment normally operated outside the United States.
10. Non-defective parts replaced by other than CNH dealers.

Coverage

This emission control system warranty applies only to the following emission control parts.

Electronic Control Unit
Fuel Injection Pump
Fuel Injectors
Turbocharger
Intake Manifold
Exhaust Manifold
Boost Pressure Tubing-connection to Aneroid Device ON F.I.P.

CALIFORNIA EMISSION CONTROL WARRANTY STATEMENT

(California Only)

Your Warranty Rights and Obligations

The California Air Resources Board and CNH UK LTD are pleased to explain the emission control system warranty on your engine. In California, new 2004 and later heavy-duty off-road engines from 50 to 750 HP must be designed, built and equipped to meet the State's stringent anti-smog standards. CNH UK LTD must warrant the emission control system on your engine for the periods of time listed below, provided there has been no abuse, neglect or improper maintenance of your engine.

Your emission control system includes parts such as the fuel injection system and the air induction system.

Where a warrantable condition exists, CNH UK LTD will repair your heavy-duty off-road engine at no cost to you including diagnosis, parts and labor.

Manufacturer's Warranty Coverage:

The 2004 and later heavy-duty off-road engines are warranted from the original date of delivery for five years or 3000 hours of operation, whichever occurs first. If any emission-related part on your engine is defective, the part will be repaired or replaced by CNH UK LTD.

Owner's Warranty Responsibilities:

- As the heavy-duty off-road engine owner, you are responsible for the performance of the required maintenance listed in your owner's manual. CNH UK LTD recommends that you retain all receipts covering maintenance on your heavy-duty off-road engine, but CNH UK LTD cannot deny warranty solely for the lack of receipts or for your failure to ensure the performance of all scheduled maintenance.
- As the heavy-duty off-road engine owner, you should, however, be aware that CNH UK LTD may deny you warranty coverage if your heavy-duty off-road engine or a part has failed due to abuse, neglect, improper maintenance or unapproved modifications.
- Your engine is designed to operate on commercially available diesel fuel only. Use of any other fuel may result in your engine no longer operating in compliance with California's emissions requirements.
- You are responsible for initiating the warranty process. The ARB suggests that you present your heavy-duty off-road engine to a CNH dealer as soon as a problem exists. The warranty repairs should be completed by the dealer as expeditiously as possible.
- If you have any questions regarding your warranty rights and responsibilities, you should contact your nearest CNH Office at the address and telephone number listed on the Owner Assistance page of your equipment's operator manual.
- Prior to the expiration of the warranty, you must give notice of any failure of an emission control warranted part. Such notice must be given to CNH UK LTD or an authorized CNH dealer, and you must deliver the engine to the repair location.
- You, the owner, are responsible for incidental costs incurred by yourself or your employees as a result of an unwarrantable failure. Examples of such costs are communication expenses, meals and lodging.
- The owner is responsible for any business costs or losses, any "downtime" expenses and any "cargo" damage which result from the failure of a warranted part. CNH UK LTD is not responsible for other incidental or consequential damages, including, but not limited to fines, theft, vandalism or collisions.

Parts covered:

This emission control system warranty applies to the following emission control parts:

Electronic Control Unit	Charge Air Cooler
Fuel Injection Pump	Exhaust Manifold
Fuel Injectors	Boost Pressure Tubing (connection to Aneroid Device on F.I.P.)
Turbocharger	
Intake Manifold	

Any replacement part, equivalent in performance and durability, may be used in the performance of any maintenance or repairs and must be provided without charge to the owner. The use of these parts does not reduce the warranty obligations of CNH UK LTD. However, CNH UK LTD recommends the use of new, genuine CNH service parts or CNH approved rebuilt parts and assemblies. CNH UK LTD also recommends that the engine be serviced by a CNH authorized dealer.

CNH UK LTD Responsibilities:

Warranty work will be provided at no charge to the owner at any authorized dealer, using genuine CNH service parts or CNH approved rebuilt parts or assemblies.

The owner will not be charged for diagnostic labor which leads to the determination that a warranted part is defective, if the diagnostic work was performed at a warranty station.

CNH UK LTD is liable for damages to other engine components caused by the failure under warranty of any warranted part.

Warranty Limitations

CNH UK LTD is not responsible for failures resulting from abuse or neglect by owner or operator.

CNH UK LTD warrants to the ultimate purchaser and each subsequent purchaser that the engine is designed, built, and equipped so as to conform with all applicable regulations adopted by the Air Resources Board, and that it is free from defects in materials and workmanship which cause the failure of a warranted part.

Any warranted part which is not scheduled for replacement as required maintenance, or which is scheduled only for regular inspection to the effect of "repair or replace as necessary" is warranted for the warranty period.

Any warranted part which is scheduled for replacement as required maintenance is warranted for the period of time prior to the first scheduled replacement point of that part.

CNH UK LTD is not liable to warrant failures caused by the use of add-on or modified parts.

CNH UK LTD is concerned to ensure proper maintenance of the engine to maximise emissions performance. Information on care and replacement of engine air cleaner, and all other aspects of engine maintenance is provided in a manual supplied to the owner. A maintenance schedule chart is provided in the manual.

CALIFORNIA
Proposition 65 Warning

Diesel engine exhaust and some of its constituents are known to the State of California to cause cancer, birth defects, and other reproductive harm.

Battery posts, terminals and related accessories contain lead and lead compounds, chemicals known to the State of California to cause cancer and birth defects or other reproductive harm. Wash hands after handling.

SECTION 1

GENERAL INFORMATION AND SAFETY

OPERATORS MANUAL STORAGE

A storage pocket for the Operators Manual can be found on the rear of the seat. The manual should be kept in this pocket at all times when not in use.

CLEANING THE TRACTOR

Your tractor is a state-of-the-art machine with sophisticated, electronic controls. This should be taken into consideration when cleaning the tractor, particularly if using a high pressure washer. Even though every precaution has been taken to safeguard electronic components and connections, the pressure generated by some of these machines is such that complete protection against water ingress cannot be guaranteed.

When using a high pressure washer, do not stand too close to the tractor and avoid directing the jet at electronic components, electrical connections, breathers, seals, filler caps, etc. Never direct a cold water jet at a hot engine or exhaust.

SAFETY

Pages 1-8 to 1-13 inclusive list the precautions to be observed to ensure your safety and the safety of others. Read the safety precautions and follow the advice offered **before** operating the tractor.

FIRST 50 HOUR SERVICE

In Section 8, at the back of this Manual, you will find the 50-hour service reports.

After you have operated the tractor for 50 hours, take your tractor, together with this Manual, to your dealer.

He will then perform the factory recommended 50 hour service and complete the service report sheets (pages 8-1 and 8-3). The first sheet (page 8-1) is the dealer's copy and should be removed by the dealer after the service has been carried out. The second sheet (page 8-3) is your copy of the service performed. **Ensure that you and the dealer sign both copies.**

SERVICE PARTS

It should be pointed out that genuine parts have been examined and approved by the Company. The installation and/or use of 'non-genuine' products could have negative effects upon the design characteristics of your tractor and thereby affect its safety. The Company is not liable for any damage caused by the use of 'non-genuine' parts and accessories. Only genuine Case IH replacement parts should be used. The use of non-genuine parts may invalidate legal approvals associated with this product.

It is prohibited to carry out any modifications to the tractor unless specifically authorized, in writing, by the After Sales Service department of the Company.

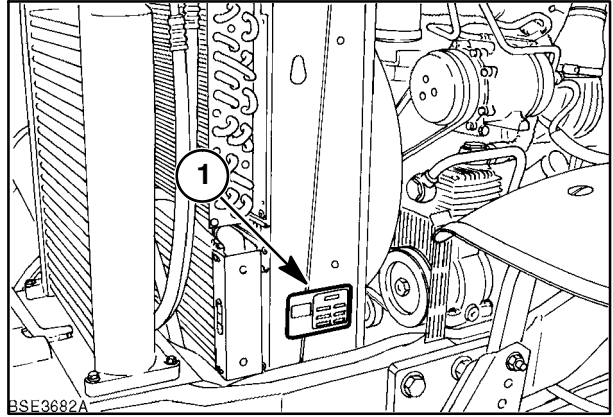
WARRANTY

Your tractor is warranted according to legal rights in your country and the contractual agreement with the selling dealer. No warranty shall, however, apply if the tractor has not been used, adjusted and maintained according to the instructions given in the Operator's Manual.

PRODUCT IDENTIFICATION

The tractor and major components are identified using serial numbers and/or manufacturing codes. Vehicle identification data must be supplied to the dealer when requesting parts or service and will also be needed to aid in identifying the tractor if it is ever stolen.

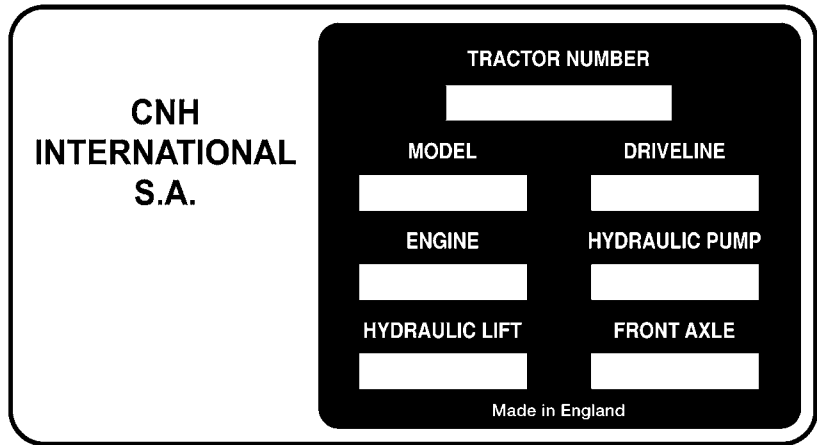
The following provides the locations of the identification data.



1

Vehicle Identification Plate

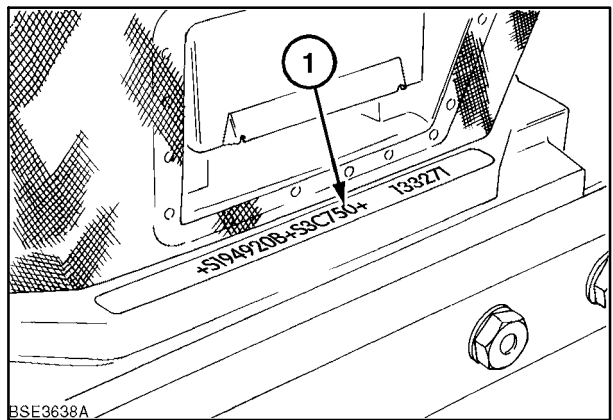
The vehicle identification plate, 1, Figure 1 is located on the left-hand radiator support. Record the information on the sample identification plate provided below.



2

Tractor Identification

The serial number and model identification information is stamped on the right-hand side of the front support, 1. These numbers are also repeated on the vehicle identification plate reproduced above.



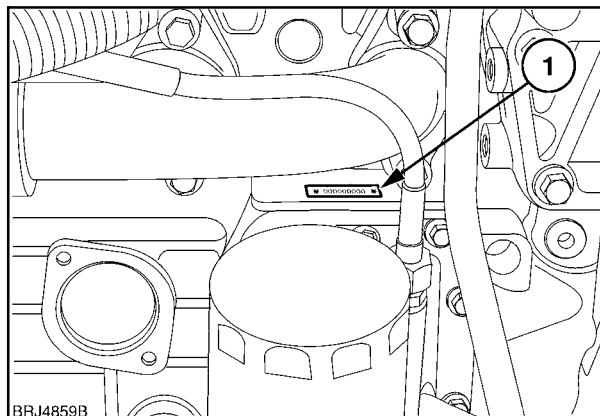
3

SECTION 1 - GENERAL INFORMATION AND SAFETY

Engine Information

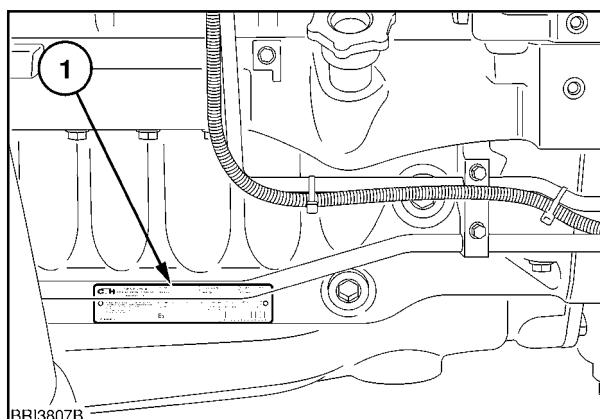
The engine serial number and date of manufacture are stamped on the right-hand side of engine block, 1, below the manifold. Record the number below.

Engine Serial No. _____



4

The engine serial number is repeated on the information plate located on the left side of the engine oil pan.



5

Further information relating to engine adjustments and emission level compliance are also shown on the engine information plate.

NOTE: The details displayed on the engine information plate may change according to the country in which the tractor is sold.

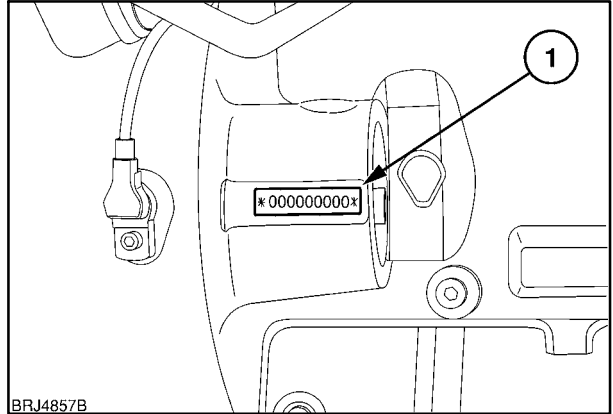
<p>CNH U.K. Limited IMPORTANT ENGINE INFORMATION Assembled in U.K.</p> <p>○ The engine conforms to _____ US EPA & C.A.R.D. regulations for large non-road compression engines. When making adjustments set parking brake and block wheels. This engine designed to operate on diesel fuel Emission Control System</p> <p>Date of MFG _____</p>	C/O Litre _____	Engine Serial No. _____	FELg/kW hr _____	EPA _____
	E.P.A. Family _____	Model Type _____	NOx NMHC _____	
	GROSS Rated HP/kW _____ rpm	Engine Model _____	PM _____	
	Valve lash cold (mm) _____ Int _____ Exh _____	Initial Injection Timing _____ BTDC		
	Low Idle _____ rpm	Fuel rate adv. power _____ mm ³ /stroke		
		<p>X X X X X X X X X X X X X X X X</p>		

SECTION 1 - GENERAL INFORMATION AND SAFETY

Driveline Identification

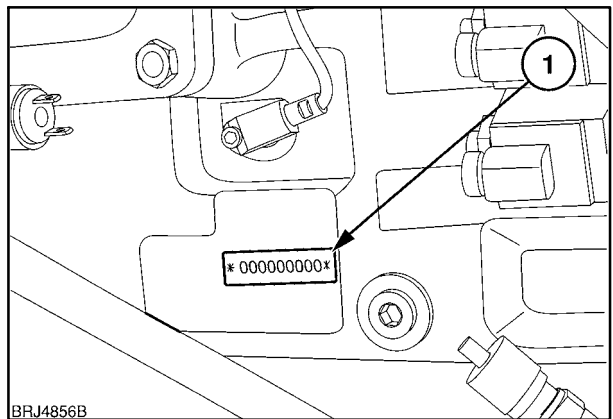
The serial number plate, 1, is located on the right-hand side of the transmission casing behind the battery carrier. This number is repeated on the vehicle identification plate. Record the information below for quick reference.

Driveline Serial No. _____



6

Driveline Serial No. _____

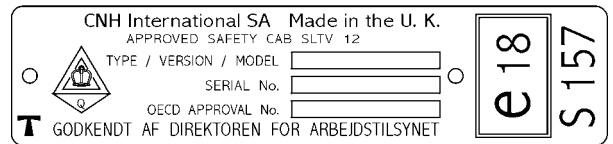


7

Cab Identification

The cab serial number and other information is on the OECD certification plate. This plate can be found on the right-hand side of the cab exterior trim panel, below the rear window. Record the cab serial number below for quick reference.

Cab Serial No. _____



8

TRANSPORTING TOWED EQUIPMENT AT SAFE SPEEDS

Product Identification Number Plate

The Product Identification Number plate provides important information on tractor and towed equipment weight combinations. This plate can be found on the right-hand side of the cab exterior trim panel, below the rear window.

The figures shown are the maximum permissible vehicle and towing weights and should not be exceeded, to do so may affect the safe operation of the tractor.

CNH International SA		Made in the U.K.		A B C D E F G H I J K L M N O P Q R S T U V W X Y Z
TYPE				
No.				
IDENTIFICATION No.				
TOTAL PERMISSIBLE MASS	:		KG	
PERMISSIBLE FRONT AXLE LOAD	:		KG	<input type="checkbox"/>
PERMISSIBLE REAR AXLE LOAD	:		KG	
<input type="radio"/> PERMISSIBLE TOWABLE MASS				<input type="radio"/>
UNBRAKED TOWABLE MASS	:		KG	
INDEPENDENTLY - BRAKED	:		KG	
INERTIA - BRAKED	:		KG	
ASSISTED BRAKE	:		KG	

9

Towing Speeds

Your tractor may be capable of operating at speeds that exceed the maximum allowable transport speed for most towed equipment.

Before transporting towed equipment, read the Operator's Manual for the equipment. Ensure that equipment is correctly installed, know how to transport it safely, and determine the maximum permissible transport speed. Ensure that the combination of tractor and towed equipment is in compliance with local and national legislation.

Never transport at speeds that exceed the equipment's maximum transport speed. Exceeding the equipment's maximum transport speed may result in reduced braking performance and/or loss of control of the tractor and its towed equipment.

Unless otherwise specified by the equipment manufacturer or legislation, observe the following when towing.

For towed equipment without brakes

Do not tow equipment that does not have brakes,

- At speeds over 32 km/h (20 mph); or
- That, when fully loaded, has a mass (weight) over 1.5 metric tons (3300 lbs) and more than 1.5 times the mass (weight) of the tractor.
- When trailer brakes are required by law.
- That has a mass (weight) that exceeds the values declared on the tractor Product Identification Number plate (as applicable).

For towed equipment with brakes

Do not tow equipment that has brakes,

- At speeds over 40 km/h (25 mph); or
- That when fully loaded has a mass (weight) more than 2.5 times the mass (weight) of the tractor.
- That has a mass (weight) that exceeds the values declared on the tractor Product Identification Number plate (as applicable).

Buy Now



Our support email:

ebooklibonline@outlook.com