

Steiger 335, 385, 435, 485 and 535 Tractors

Operator's Manual

P.I.N. Z8F111501 and After

84230644
Issued July, 2009
Replaces 84129373

CASE II
AGRICULTURE

PERSONAL SAFETY



The Safety Alert Symbol and Safety messages that follow indicate extremely important information in this manual. When you see this symbol, carefully read and understand the messages that follow. Failure to read and understand these messages will cause death or serious injury.

M171D




Throughout this manual and on the machine's safety decals, you will find precautionary statements: **DANGER**, **WARNING** or **CAUTION** followed by specific instructions or ISO two panel safety pictorial symbols. These precautions are intended for your personal safety.

Failure to follow the **DANGER**, **WARNING** or **CAUTION** instructions may result in death or serious bodily injury.

DANGER, **WARNING** or **CAUTION** are defined as follows:

- **DANGER:** Indicates an immediate hazardous situation that, if not avoided, will result in death or serious injury. The color associated with Danger is RED.
- **WARNING:** Indicates a potentially hazardous situation that, if not avoided, could result in death or serious injury. The color associated with Warning is ORANGE.
- **CAUTION:** Indicates a potentially hazardous situation that, if not avoided, may result in minor or moderate injury. It may also be used to alert against unsafe practices. The color associated with Caution is YELLOW.

ISO two panel **pictorial symbol decals** are defined as follows:

- The first panel indicates the nature of the hazard.
- The second panel indicates the appropriate avoidance of the hazard.
- Background color is YELLOW.
- Prohibition symbols such as   and  if used, are RED.



WARNING

IMPROPER OPERATION OF THIS MACHINE COULD CAUSE DEATH OR SERIOUS INJURY. BEFORE USING THIS MACHINE, MAKE CERTAIN THAT EVERY OPERATOR:

- Is instructed in safe and proper use of the machine.
- Reads and understands the Manual(s) pertaining to the machine.
- Reads and understands ALL Safety Decals on the machine.
- Clears the area of other persons.
- Learns and practices safe use of machine controls in a safe, clear area before operating this machine on a job site.

It is your responsibility to observe pertinent laws and regulations and follow CNH America LLC instructions on machine operation and maintenance.

CNH America LLC Technical Manuals

Manuals are available from your Dealer for the operation, service and repair of your machine. For prompt convenient service, contact your Dealer for assistance in obtaining the manuals for your machine.

Your Dealer can expedite your order for Operators Manuals, Parts Catalogs, Repair Manuals and maintenance records.

Always give the Machine Name, Model and P.I.N. (Product Identification Number) or S.N. (Serial Number) of your machine so your Dealer can provide the correct manuals for your machine.

CALIFORNIA

Proposition 65 Warning

Diesel engine exhaust and some of its constituents are known to the State of California to cause cancer, birth defects, and other reproductive harm.

Battery posts, terminals and related accessories contain lead and lead compounds. Wash hands after handling.

The company is continually striving to improve its products and therefore reserves the right to make improvements and changes when it becomes practical and possible to do so, without incurring any obligation to make changes or additions to the equipment sold previously.

All data given in this manual is subject to production variations. IMPORTANT: OPERATING AND SERVICE MESSAGES DISPLAYED ON THE ELECTRONIC OPERATING PANEL MAY VARY FROM WHAT IS SHOWN IN THE OPERATOR'S MANUAL. SHOULD THIS OCCUR ADHERE TO THE LATEST INSTRUCTION ON THE ELECTRONIC OPERATING PANEL.

Dimensions and weights are approximate only and the illustrations do not necessarily show the machine in standard condition. For exact information about any particular machine, please consult your dealer.

GENERAL TABLE OF CONTENTS

TO THE OWNER	1
GENERAL INFORMATION	1
TRACTOR ORIENTATION	3
PRODUCT IDENTIFICATION AND SERIAL NUMBERS	5
CHEMICAL TANK MOUNTING	9
BUSINESS BAND RADIO READY (IF EQUIPPED)	10
QUADTRAC UNITS ONLY	12
SAFETY/DECALS	13
SAFETY	13
PERSONAL SAFETY	16
INSTRUCTIONAL SEAT SAFETY	17
MAINTENANCE SAFETY	17
FIRE SAFETY	18
BATTERY SAFETY	18
MACHINE OPERATION AND ROLL-OVER SAFETY	19
HAZARDOUS CHEMICALS	19
SAFETY DECALS	21
ARTICULATION CYLINDER LOCKING BLOCKS	26
MOUNTING AND DISMOUNTING THE TRACTOR	26
ROLLOVER PROTECTIVE STRUCTURE	27
CLEANING CAB WINDOWS	28
RH SERVICE WINDOW	28
INTERIOR REAR VIEW MIRROR	28
SEAT BELTS	29
TRACTOR WARNING LAMPS AND SMV SYMBOL	30
IMPLEMENT WARNING LAMPS AND SMV SYMBOL	31
SAFETY CHAIN	32
OPERATING CONTROLS	33
TRACTOR ACCESS	33
OPERATOR'S SEAT WITH AIR SUSPENSION	36
INSTRUCTIONAL SEAT (IF EQUIPPED)	38
STEERING COLUMN CONTROLS	40
FOOT PEDALS	41
CENTER CONSOLE CONTROLS	42
24-SPEED TRANSMISSION CONTROLS (IF EQUIPPED)	43
RIGHT HAND ARMREST CONSOLE CONTROLS	44
RH ARMREST CONTROL CONSOLE	45
ARMREST CONSOLE CONTROLS	52
6TH-7TH/TWINFLOW ELECTRIC REMOTE VALVES (IF EQUIPPED)	54
AUTO GUIDANCE ROADING SWITCH (IF EQUIPPED)	54
UPPER CONSOLE CONTROLS	55
MP3 PLAYER/SATELLITE RADIO JACK	58
HVAC CONTROL SYSTEM	59
AUTOMATIC TEMPERATURE CONTROL OPERATION	62
POWER MIRROR CONTROL (IF EQUIPPED)	63
INSTRUMENTATION	67
ROPS POST INSTRUMENT CLUSTER OVERVIEW	67
PROGRAMMING THE DISPLAY MONITOR	75
OLD HOURS	82
PROGRAM ADJUST MENU	83
WARNING FAULT DISPLAYS	87
INSTRUMENTATION CLUSTER OPERATION	94

OPERATING INSTRUCTIONS	111
BEFORE STARTING THE ENGINE	111
SEAT BELTS	112
STEERING COLUMN ADJUSTMENT	113
STARTING THE ENGINE	114
COLD WEATHER STARTING	116
STOPPING THE ENGINE	119
COLD TEMPERATURE OPERATION	120
TOWING THE TRACTOR	123
TRANSPORTING THE TRACTOR	125
FRONT STEERING OPERATION (IF EQUIPPED)	126
POWERSHIFT TRANSMISSION OPERATION (IF EQUIPPED)	127
24-SPEED TRANSMISSION OPERATION (IF EQUIPPED)	143
DIFFERENTIAL LOCK (IF EQUIPPED)	146
CONSTANT ENGINE SPEED OPERATION (IF EQUIPPED)	147
FIELD OPERATION	148
POWER TAKEOFF (IF EQUIPPED)	148
OPERATING THE POWER TAKEOFF (PTO)	151
STANDARD DRAWBAR	153
THREE POINT HITCH PREPARATION	157
HITCH COUPLER - CATEGORY III OR IV-N	162
HITCH OPERATION	166
RAISING AND LOWERING THE HITCH	167
REMOTE HYDRAULICS	179
AUXILIARY IMPLEMENT POWER CONNECTIONS	192
IN-FIELD PERFORMANCE	196
TRACTOR BALLAST	196
FRONT AND REAR SUITCASE WEIGHTS	202
WHEEL WEIGHTS	205
WHEEL WEIGHT BOLT TORQUE	206
TIRE AND RIM SERVICE	207
TIRE PRESSURE FOR MAXIMUM TIRE LOAD AT RATED INFLATION	211
WHEEL BOLT TORQUES	214
SCRAPER OPERATING PROCEDURES	227
LUBRICATION/FILTERS/FLUID/MAINTENANCE	228
LUBRICATION AND MAINTENANCE	228
LUBRICANTS AND CAPACITIES	228
ENGINE LUBRICATION	229
LUBRICATION AND MAINTENANCE CHART	231
BIODIESEL FUEL	235
GRILLE AND HOOD ACCESS	236
AIR INDUCTION SYSTEM	265
PRESSURE COOLING SYSTEM	300
SCA SERVICE REQUIREMENTS (335 AND 535 ONLY)	300
INSPECTION OF TRACKS AND UNDERCARRIAGE	302
TRACK ROTATION	302
TRACK (BELT) TENSION RELEASE	303
TRACK (BELT) ALIGNMENT	305
DISASSEMBLY, DECOMMISSIONING OR SCRAPPING THE MACHINE	306
ELECTRICAL SYSTEM	307
SPECIFICATIONS	307
FUSES	307
GENERAL SERVICE INFORMATION	313

SPECIFICATIONS	314
GENERAL SPECIFICATIONS	314
TRACTOR WEIGHTS	318
APPROXIMATE TRAVEL SPEEDS (MPH)	319
APPROXIMATE OVERALL MEASUREMENTS	326
DETAIL INDEX	329

GENERAL INFORMATION

Introduction to this Manual

This manual contains important information about the safe operation, adjustment and routine maintenance of your Case IH Steiger Series Tractor. The manual is divided into ten sections as outlined in the General Table of Contents Page(s). Refer to the Detail Index at the end of this manual for locating specific items about your tractor.

Use this manual as a guide. Your tractor will remain a reliable working machine as long as it is kept in good working condition and serviced properly.

Read this manual before you start the engine or operate this tractor. If any information in this manual is not understood, or if you need more information or assistance, contact your dealer.

All persons training to operate, or who will be operating this tractor, should be old enough to possess a valid local vehicle operating permit (or other applicable local age requirement) and must have demonstrated the ability to operate and service the tractor correctly and safely.

Statement of Tractor Intended Use

The Steiger Series Tractor, with standard equipment and authorized attachments, is intended to be used for customary farming, land leveling and related agriculture operations.

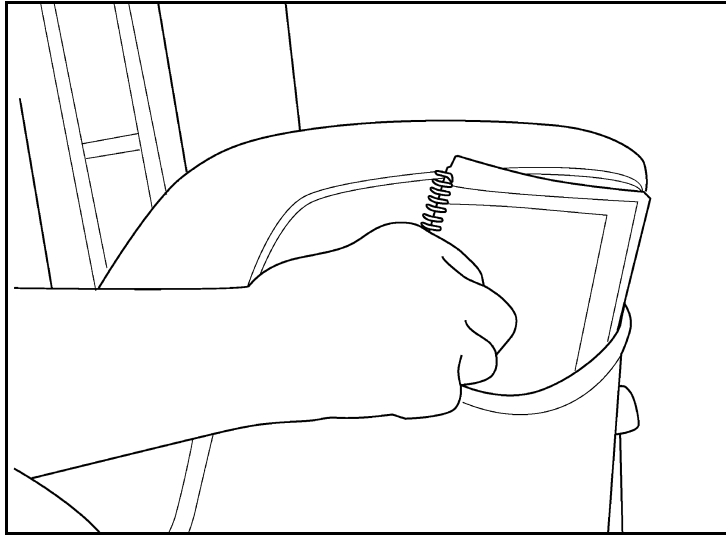
Installation of utility (dozer) blades, tile plows, front loaders or push bars on the tractor is not recommended. Any tractor damage resulting from the installation and/or use of such equipment is not covered by the tractor warranty.

DO NOT use this machine for any purpose or in any manner other than as described in the manual, decals or other product safety information provide with the machine. These materials define the machine's intended use.

If your tractor requires replacement parts, do not use unauthorized parts or substitute materials. Case dealers stock Case IH approved service parts and have technicians with special training that know the best methods of repair and maintenance for your tractor.

ATTENTION: *The engine and fuel system on your machine is designed and built to government emissions standards. Tampering by dealer, customers, operators and users is **strictly prohibited by law**. Failure to comply could result in government fines, rework charges, invalid warranty, legal action and possible confiscation of the machine until rework to original condition is completed. Engine service and/or repairs must be done by a certified technician only!*

Operator Manual Storage Compartment



MK99H025

DO NOT permit anyone to operate or service this tractor until you or other operators have read this manual. The Operator's Manual is a part of your tractor and must be available to all operators.

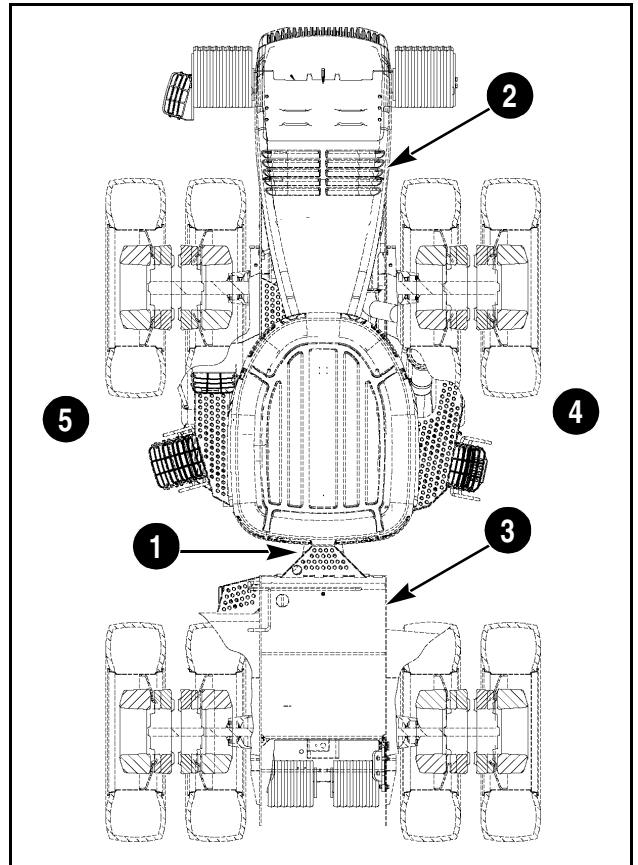
Make sure the manual is complete and in good condition. Store the Operator's Manual and other important tractor information in the storage compartment provided on the rear side of the seat backrest.

TRACTOR ORIENTATION

The Steiger Series Tractor is classified as a four-wheel drive articulating vehicle. The standard tractor consists of front and rear frame assemblies that steer by pivoting at the center articulation joint (1).

The standard tractor front frame (2) incorporates the engine, front axle, transmission and cab. The rear frame (3) incorporates the rear axle and fuel tank.

The right hand (RH) (4) and left hand (LH) (5) side of the tractor as used in this manual are the same as your right hand and left hand when sitting in the operator's seat looking forward over the engine.



MA00A013

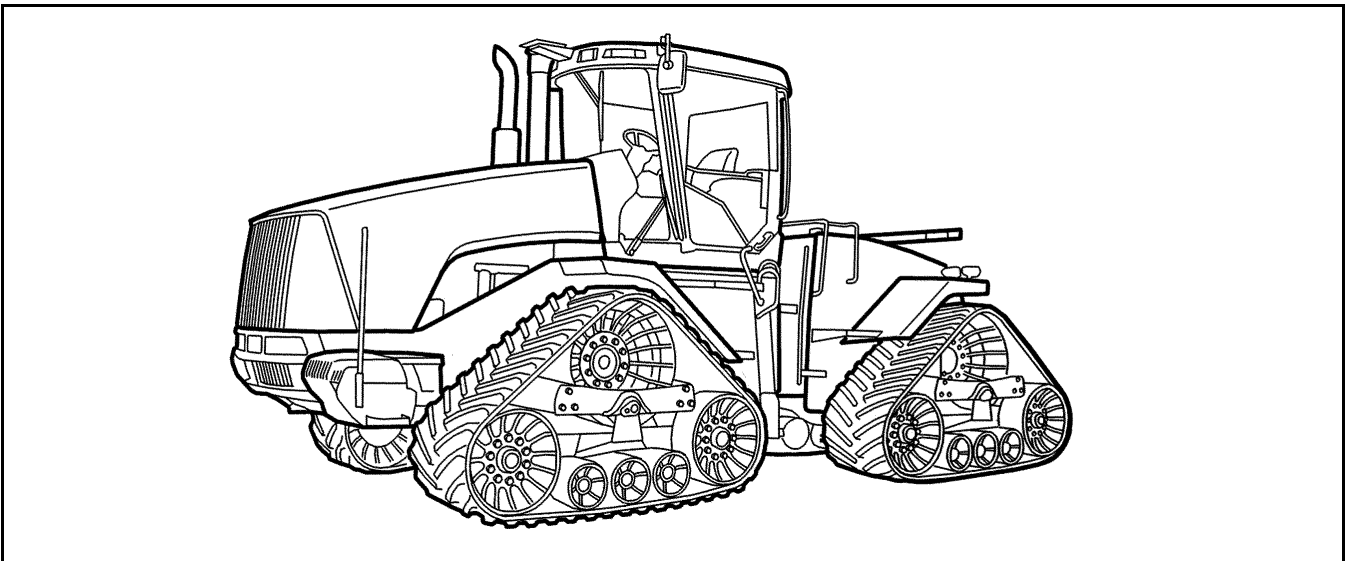
- | | |
|---------------------------------|--------------------|
| 1. CENTER ARTICULATION JOINT | 4. RIGHT-HAND SIDE |
| 2. STANDARD TRACTOR FRONT FRAME | 5. LEFT-HAND SIDE |
| 3. REAR FRAME | |

STEIGER SERIES TRACTORS



MT05M077

STEIGER WHEEL TRACTOR



MT05M072

STEIGER QUADTRAC TRACTOR

PRODUCT IDENTIFICATION AND SERIAL NUMBERS

Write your machine Model Number, Product Identification Number (P.I.N.) and Serial Numbers of major components on the lines provided.

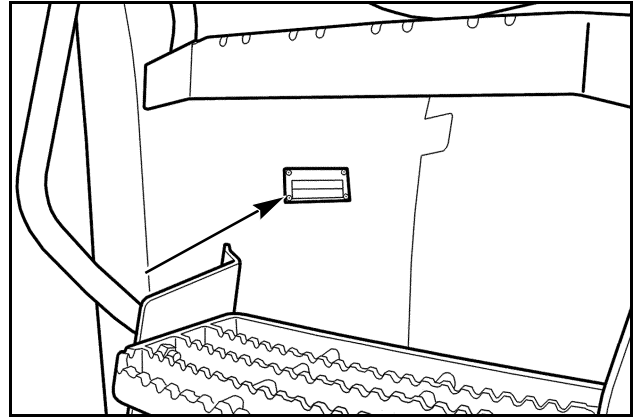
If needed, give these numbers to your dealer when you need parts or information for your machine.

Tractor Model and Product Identification Numbers

Model: _____

P.I.N. * Z: _____

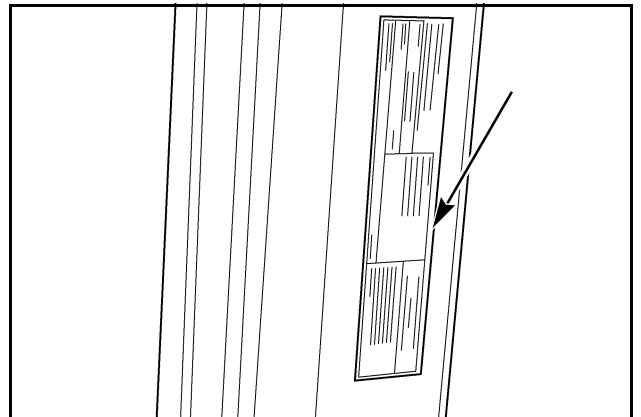
Located on the upper back side of the LH front fender.



MT04M004

Rollover Protective Structure (ROPS) Serial Number

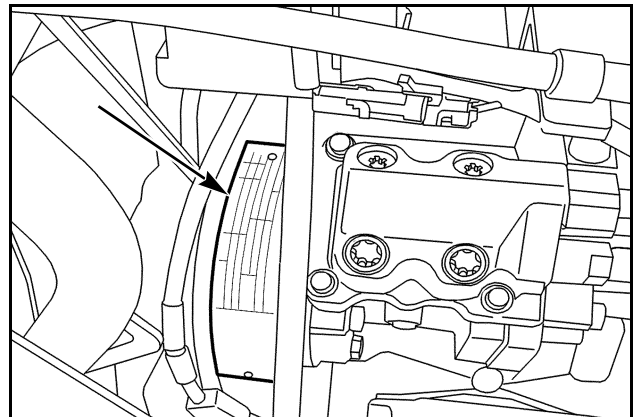
Located under the cover of the LH front ROPS post.



MK01G271

Engine Serial Number (335)

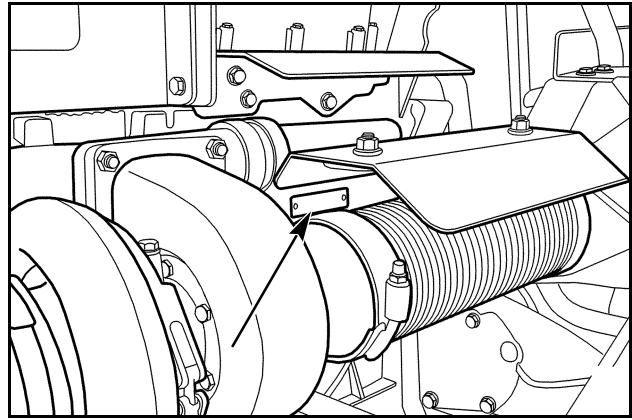
Located on the top LH side of the engine fuel pump drive cover.



MT07F140

Engine Serial Number (385 - 435)

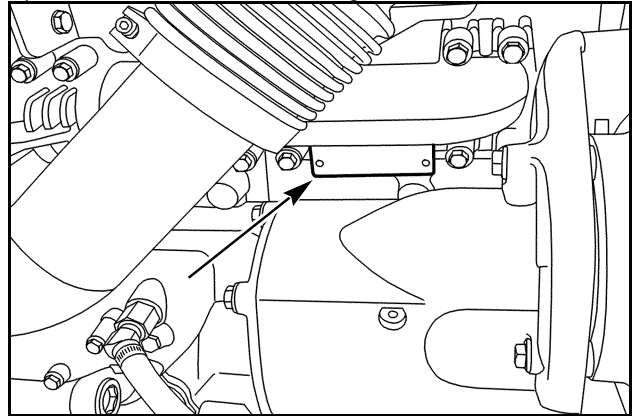
Located on the LH upper side under the heat shield.



MT05M015

Engine Serial Number (485)

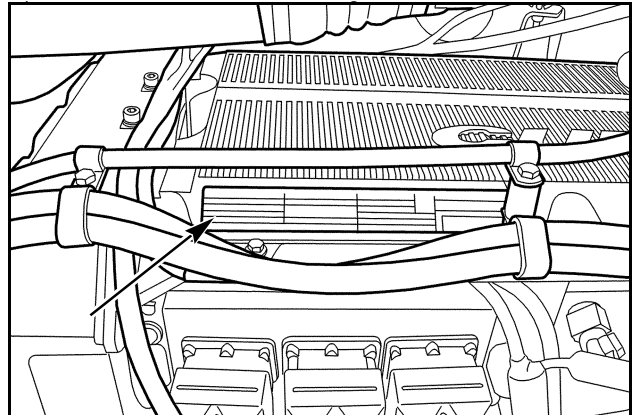
Located on the LH upper side behind compound turbo gear box.



MT07F083

Engine Serial Number (535)

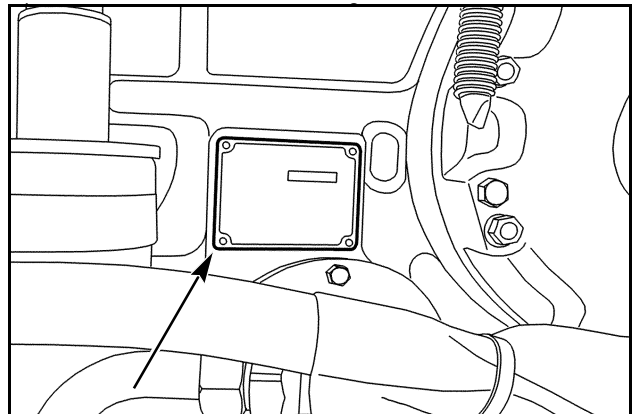
Located on the LH upper side under the heat shield.



MT05M016

Transmission Serial Number

Located on the LH rear side of the transmission.



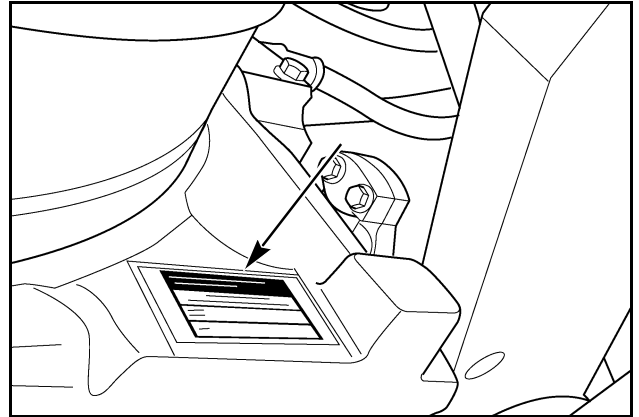
MT07F084

Axle Serial Number (335)

Front _____

Rear _____

Located on the side of the axle center housing.



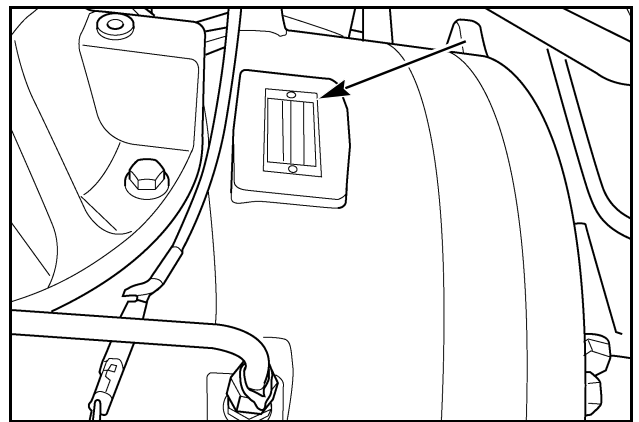
MK99K097

Axle Serial Number (385, 435, 485, 535)

Front _____

Rear _____

Located on the final drive housing.



MK01G070

Buy Now



Our support email:

ebooklibonline@outlook.com