

ORIGINAL INSTRUCTIONS - according to Directives 2006/42/EC, Annex I 1.7.4.1

# OPERATOR'S MANUAL

---

**T4020**

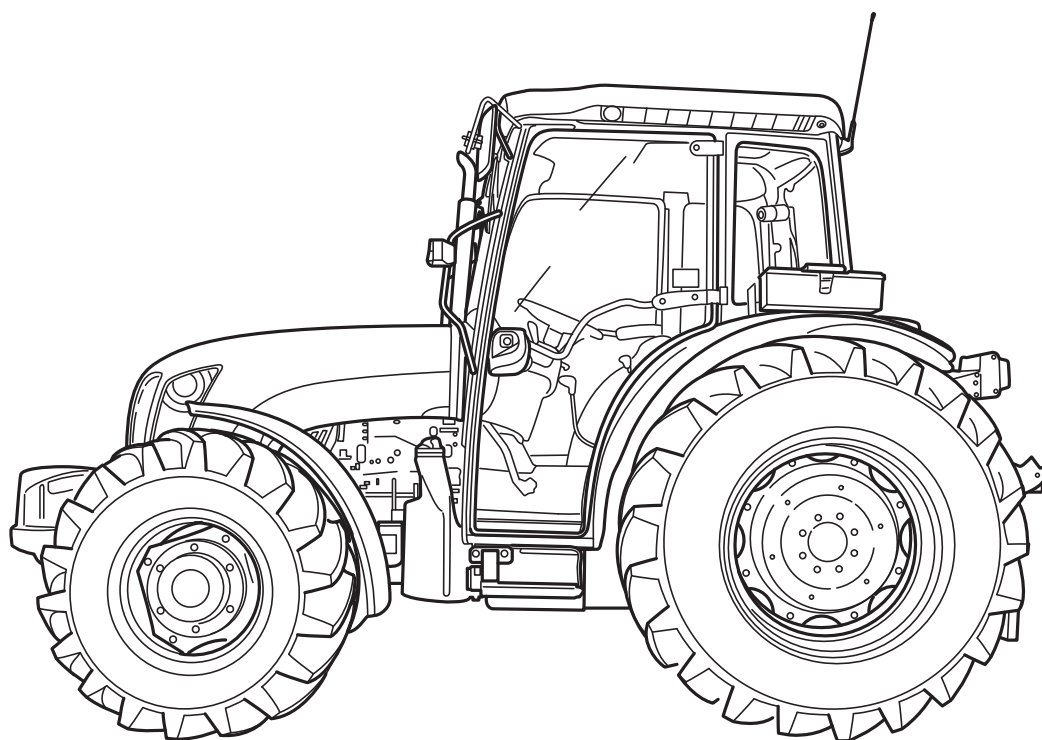
**T4030**

**T4040**

**T4050**

Deluxe

Supersteer



**Print No. 84266507**

1st edition

English 12/09

 **NEW HOLLAND**  
AGRICULTURE

# **SECTION SUMMARY**

- 1 – Introduction and safety measures**
- 2 – General information, controls and instruments**
- 3 – Field operation**
- 4 – Lubrication and Maintenance**
- 5 – Troubleshooting**
- 6 – Vehicle storage**
- 7 – Accessories**
- 8 – Specifications and Data**
- 9 – Alphabetical Index**



For your better and easier understanding of the document you'll find original text reproduced hereafter together with some notes

| Clause of<br>2006/42/EC<br>Annex II | <b>EN</b><br><b>EC Declaration of conformity</b><br><b>According to Directive 2006/42/EC.</b>   |
|-------------------------------------|---|
| 1.A.1                               | We, [1]   |
| 1.A.2                               | Represented by Giuseppe Gavioli,<br>CNH Europe Holding S.A.<br>13, Rue Aldringen<br>L-1118 Luxembourg   |
| 1.A.3                               | declare under our sole responsibility, that<br>the product:<br><br>Agricultural tractor<br>Trade Name: [2]<br>Model: [3]<br>Type: [4]<br>Serial Number: [5]   |
| 1.A.4                               | to which this declaration relates, fulfils all<br>the relevant provisions of the Directive<br>2006/42/EC, amended by [6].   |
| 1.A.7                               | For the relevant implementation of the<br>provisions of the Directive, the following<br>(harmonised) standards have been<br>applied:<br><ul style="list-style-type: none"><li>• ISO 26322-1 part 1 or 2</li></ul> Other standards: see Operators Manual |
| 1.A.9                               | Place and date of the declaration: [7]  |
| 1.A.10                              | Name and signature of the authorised per-<br>son: [8]   |

## HEALTH AND SAFETY RELATED STANDARDS APPLIED TO YOUR TRACTOR

- FOPS level on your tractor cab is certified according to **OECD Code 10**.
- BLUE CAB is certified **Category 2** according to **EN 15695-1**.
- HVAC (Heating, ventilation Air Conditioning ) CAB is certified **Category 1** according to **EN 15695-1**.
- HV (Heating, ventilation) cab is certified **Category 1** according to **EN 15695-1**.
- NOISE EMISSION LEVELS are rated according to **77/311/EEC**.
- VIBRATION LEVELS are rated according to **78/764/EEC**.
- ROPS PROTECTION is certified according to **EN 15694**.

**NOTE: See safety section 1 in this manual for further explanation and details on above mentioned standards and specific terminology.**

## METRIC AND IMPERIAL UNITS ABBREVIATIONS

| TYPICAL APPLICATIONS          | RECOMMENDED SI (METRIC) UNITS |                 | IMPERIAL UNIT              |                                    |
|-------------------------------|-------------------------------|-----------------|----------------------------|------------------------------------|
|                               | NAME                          | SYMBOL          | NAME                       | SYMBOL                             |
| <b>AREA</b>                   |                               |                 |                            |                                    |
| Land area                     | hectare                       | ha              | acre                       |                                    |
|                               | square meter                  | m <sup>2</sup>  | square foot<br>square inch | ft <sup>2</sup><br>in <sup>2</sup> |
|                               | square millimetre             | mm <sup>2</sup> | square inch                | in <sup>2</sup>                    |
| <b>ELECTRICITY</b>            |                               |                 |                            |                                    |
|                               | ampere                        | A               | ampere                     | A                                  |
|                               | volt                          | V               | volt                       | V                                  |
|                               | microfarad                    | μF              | microfarad                 | μF                                 |
|                               | ohm                           | Ω               | ohm                        | Ω                                  |
| <b>FORCE</b>                  |                               |                 |                            |                                    |
|                               | kilonewton                    | kN              | pound                      | lb                                 |
|                               | newton                        | N               | pound                      | lb                                 |
| <b>FORCE PER LENGTH</b>       |                               |                 |                            |                                    |
|                               | newton per metre              | N/m             | pound per inch             | lb/in                              |
| <b>FREQUENCY</b>              |                               |                 |                            |                                    |
|                               | megahertz                     | MHz             | Megahertz                  | MHz                                |
|                               | kilohertz                     | kHz             | kilohertz                  | kHz                                |
|                               | hertz                         | Hz              | hertz                      | Hz                                 |
| <b>FREQUENCY – ROTATIONAL</b> |                               |                 |                            |                                    |
|                               | revolution per minute         | r/min<br>rpm    | revolution per minute      | r/min <sup>(a)</sup><br>rpm        |
| <b>LENGTH</b>                 |                               |                 |                            |                                    |
|                               | kilometre                     | km              | mile                       | mi                                 |
|                               | meter                         | m               | foot                       | ft                                 |
|                               | centimetre                    | cm              | inch                       | in                                 |
|                               | millimetre                    | mm              | inch                       | in                                 |
|                               | micrometer                    | μm              |                            |                                    |
| <b>MASS</b>                   |                               |                 |                            |                                    |
|                               | kilogram                      | kg              | pound                      | lb                                 |
|                               | gram                          | g               | ounce                      | oz                                 |
|                               | milligram                     | mg              |                            |                                    |

| TYPICAL APPLICATIONS   | RECOMMENDED SI (METRIC) UNITS |                | IMPERIAL UNIT                                  |                                    |
|--|-------------------------------|----------------|--|------------------------------------|
|  | NAME                          | SYMBOL         | NAME   | SYMBOL                             |
| <b>POWER</b>   |                               |                |  |                                    |
|  | kilowatt                      | kW             | horsepower                                     | Hp                                 |
|  | watt                          | W              | Btu per hour<br>Btu per minute                 | Btu/hr<br>Btu/min                  |
| <b>PRESSURE or STRESS (FORCE PER AREA)</b>                                       |                               |                |  |                                    |
|  | kilopascal                    | kPa            | pound per square inch<br>inch of mercury       | psi<br>inHg                        |
|  | pascal                        | Pa             | inch of water                                  | inH <sub>2</sub> O                 |
|  | megapascal                    | Mpa            | pound per square inch                          | psi                                |
| <b>TEMPERATURE (other than THERMODYNAMIC)</b>                                    |                               |                |  |                                    |
|  | degrees Celsius               | °C             | degrees Fahrenheit                             | °F                                 |
| <b>TIME</b>  |                               |                |  |                                    |
|  | hour                          | h              | hour   | h                                  |
|  | minute                        | min            | minute   | min                                |
|  | second                        | s              | second   | s                                  |
| <b>TORQUE (includes BENDING MOMENT, MOMENT OF FORCE, and MOMENT OF A COUPLE)</b> |                               |                |  |                                    |
|  | newton meter                  | N m<br>N m     | pound foot<br>pound inch                       | lb ft<br>lb in                     |
| <b>VELOCITY</b>  |                               |                |  |                                    |
|  | kilometre per hour            | km/h           | mile per hour                                  | mph                                |
|  | meter per second              | m/s            | foot per second                                | ft/s                               |
|  | millimetre per second         | mm/s           | inch per second                                | in/s                               |
|  | meter per minute              | m/min          | foot per minute                                | ft/min                             |
| <b>VOLUME (includes CAPACITY)</b>  |                               |                |  |                                    |
|  | cubic meter                   | m <sup>3</sup> | cubic yard                                     | yd <sup>3</sup><br>cu yd           |
|  | litre                         | l              | cubic inch                                     | in <sup>3</sup>                    |
|  | litre                         | l              | US gallon<br>UK gallon<br>US quart<br>UK quart | US gal<br>UK gal<br>US qt<br>UK qt |
|  | millilitre                    | ml             | fluid ounce                                    | fl oz                              |

| TYPICAL APPLICATIONS                                      | RECOMMENDED SI (METRIC) UNITS |                     | IMPERIAL UNIT         |                      |
|---|-------------------------------|---------------------|-----------------------|----------------------|
|   | NAME                          | SYMBOL              | NAME                  | SYMBOL               |
| <b>VOLUME PER TIME (includes DISCHARGE and FLOW RATE)</b> |                               |                     |                       |                      |
|   | cubic meter per minute        | m <sup>3</sup> /min | cubic foot per minute | ft <sup>3</sup> /min |
|   | litre per minute              | l/min               | US gallon per minute  | US gal/min           |
|   | millilitre per minute         | ml/min              | UK gallon per minute  | UK gal/min           |
| <b>SOUND POWER LEVEL and SOUND PRESSURE LEVEL</b>         |                               |                     |                       |                      |
|   | decibel                       | dB                  | decibel               | dB                   |

---

# CONTENTS

|   |   |
|---|---|
| CE DECLARATION OF CONFORMITY DOCUMENT .....                       | 1 |
| HEALTH AND SAFETY RELATED STANDARDS APPLIED TO YOUR TRACTOR ..... | 2 |

## SECTION 1

|   |      |
|---|------|
| Communications for the user .....               | 1-1  |
| Identification plates .....                     | 1-2  |
| Important ecological considerations .....       | 1-5  |
| Safety messages used in this manual .....       | 1-6  |
| Working safely .....                            | 1-7  |
| Safety decals .....                             | 1-13 |
| Guards and safety covers .....                  | 1-19 |
| Tractor noise level information sheet .....     | 1-21 |
| Tractor vibration level information sheet ..... | 1-22 |
| Protection offered by the tractor .....         | 1-23 |
| Machine stability .....                         | 1-26 |
| Fire or explosion prevention .....              | 1-29 |
| Intended use of your tractor .....              | 1-30 |
| Tractors main components .....                  | 1-33 |

## SECTION 2

|  |      |
|--|------|
| General notes, controls and instruments .....                        | 2-1  |
| Analog control panel .....   | 2-2  |
| Digital instrument control panel .....                               | 2-8  |
| Multifunction display .....  | 2-13 |
| Light control lever .....  | 2-30 |
| Operating controls .....   | 2-31 |
| Cab .....  | 2-41 |
| Mechanical transmission (16F+16R) 18.64/24.35 mph (30/40 km/h) ..... | 2-52 |
| Mechanical transmission (28F+16R) 18.64/24.35 mph (30/40 km/h) ..... | 2-56 |
| Mechanical transmission (32F+16R) 18.64/24.35 mph (30/40 km/h) ..... | 2-58 |
| Electrohydraulic transmission (32fwd+16rev) 30/40 km/h .....         | 2-60 |
| Electrohydraulic transmission (44fwd+16rev) 30/40 km/h .....         | 2-64 |
| Fast transmissions 24.35 mph (40 km/h) .....                         | 2-69 |



---

## SECTION 3

|  |      |
|--|------|
| Field operation . . . . .                                  | 3-1  |
| Starting and stopping . . . . .                            | 3-2  |
| Brakes . . . . .   | 3-6  |
| Mechanical 4WD . . . . .                                   | 3-8  |
| Electrohydraulically controlled four-wheel drive . . . . . | 3-9  |
| Differential lock . . . . .                                | 3-10 |
| Lim-Slip front differential lock . . . . .                 | 3-11 |
| Electrohydraulic differential lock . . . . .               | 3-12 |
| Power Take- Off . . . . .                                  | 3-14 |
| Hydraulic lift with mechanical control . . . . .           | 3-19 |
| Electronically controlled hydraulic lift . . . . .         | 3-23 |
| Rear three-point linkage . . . . .                         | 3-30 |
| Implement linkage points . . . . .                         | 3-34 |
| Rear remote auxiliary control valves . . . . .             | 3-39 |
| Front 2 WD wheel track adjustment . . . . .                | 3-42 |
| 4WD wheel track adjustment . . . . .                       | 3-44 |
| Tyres . . . . .  | 3-51 |
| Metal ballast . . . . .                                    | 3-66 |
| Liquid ballasting . . . . .                                | 3-67 |
| Permitted maximum weights . . . . .                        | 3-70 |

## SECTION 4

|   |      |
|---|------|
| Lubrication and maintenance . . . . .               | 4-1  |
| Running in period . . . . .                         | 4-2  |
| Fuelling the tractor . . . . .                      | 4-3  |
| Access for inspection and maintenance . . . . .     | 4-7  |
| Lubrication and maintenance table . . . . .         | 4-8  |
| Instrument panel warning lights . . . . .           | 4-8  |
| Flexible maintenance . . . . .                      | 4-11 |
| EVERY 10 HOURS OF WORK . . . . .                    | 4-20 |
| EVERY 50 HOURS OF WORK . . . . .                    | 4-21 |
| EVERY 100 HOURS OF WORK . . . . .                   | 4-26 |
| EVERY 300 HOURS OF WORK . . . . .                   | 4-29 |
| EVERY 500/600 HOURS OF WORK . . . . .               | 4-34 |
| EVERY 1200 HOURS OR EVERY YEAR . . . . .            | 4-38 |
| EVERY 1200 HOURS OF WORK OR EVERY 2 YEARS . . . . . | 4-40 |
| EVERY 1800 HOURS OF WORK . . . . .                  | 4-46 |
| Electrical System . . . . .                         | 4-47 |
| Fuelling . . . . .                                  | 4-80 |

---

## **SECTION 5**

|   |     |
|---|-----|
| Troubleshooting, causes and solutions ..... | 5-1 |
|---|-----|

## **SECTION 6**

|                           |     |
|---------------------------|-----|
| Storing the tractor ..... | 6-1 |
|---------------------------|-----|

## **SECTION 7**

|  |      |
|--|------|
| Accessories .....                                    | 7-1  |
| Front Power Take Off .....                           | 7-2  |
| Mechanically controlled front hydraulic lift .....   | 7-4  |
| Electronically controlled front hydraulic lift ..... | 7-5  |
| Front three-point linkage .....                      | 7-11 |
| Quick fit implement linkage .....                    | 7-20 |
| Towing equipment .....                               | 7-22 |
| Hydraulically operated towing hitch .....            | 7-26 |
| Joystick .....                                       | 7-28 |
| Control valve for trailer hydraulic brakes .....     | 7-29 |

## **SECTION 8**

|                         |  |
|-------------------------|--|
| Specifications and data |  |
|-------------------------|--|

## **SECTION 9**

|                    |  |
|--------------------|--|
| Alphabetical index |  |
|--------------------|--|

## SECTION 1

### GENERAL INFORMATION AND SAFETY PRECAUTIONS

#### SPARE PARTS

“Non–original” spare parts have not been tested or authorised by the Manufacturer.

Installment and/or use of such products may adversely affect the tractor's design specifications, thereby compromising operational safety. The manufacturer cannot be held responsible for any damage resulting from the use of “non–original” spare parts.

No modifications may be made to the tractor without written authorisation from the Manufacturer.

#### WARRANTY

The tractor is guaranteed in accordance with current legislation in your country and in line with contractual agreements reached with the dealer at the time of sale.

However, the warranty is no longer valid if the rules and instructions for the use and maintenance of the tractor, described in this Manual, are not observed.

#### CLEANING THE TRACTOR

Your tractor is an advanced machine, fitted with an electro–hydraulic control system. Care must be taken when cleaning the tractor, especially if a pressurised water cleaner is used.

- When using a pressure washer, never stand too close to the tractor or direct the water jet on electrical components, seals or intake openings, etc..
- Never direct jets of cold water at the hot engine or exhaust. See also Section 4 (Recommendations for bodywork maintenance).

## TRACTOR IDENTIFICATION PLATES

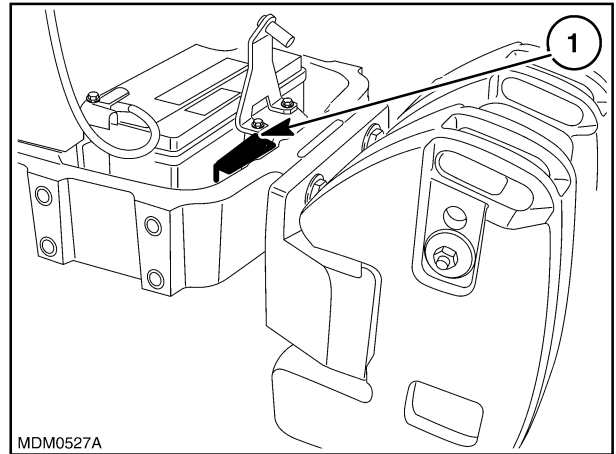
Serial numbers identify the tractor and its main components. The identification data must be supplied by the dealer for requests for spare parts or service operations. Identification data is of fundamental importance in the event of theft of the tractor. The location of the various identification data is shown below.

### TRACTOR CHASSIS FRAME IDENTIFICATION DATA PLATE – Fig. 1

The tractor's frame number is stamped over the front support (1). It gives the safety frame identification data.

Indicate below the corresponding serial number.

No. \_\_\_\_\_



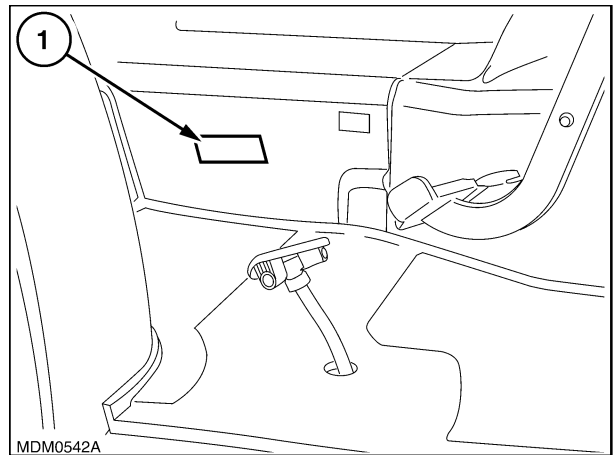
1

### TRACTOR TYPE-APPROVAL SUMMARY DATA PLATE FOR MODELS WITH ROLL BAR – Fig. 2

The plate (1) is on the right-hand side.

Indicate below the corresponding serial number.

No. \_\_\_\_\_



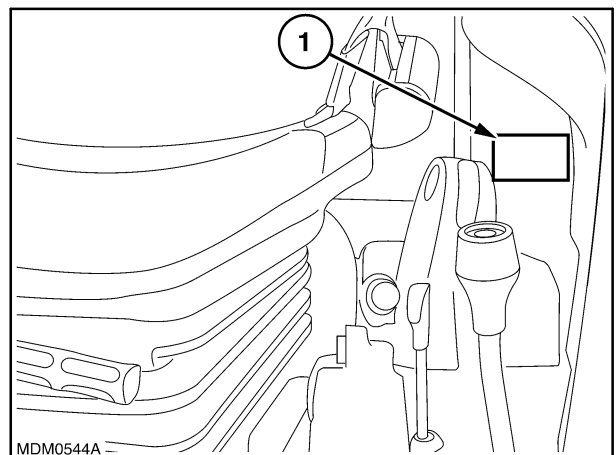
2

### TRACTOR TYPE-APPROVAL SUMMARY DATA PLATE FOR MODELS WITH CAB

The plate (1) is inside the cab on the right-hand side.

Indicate below the corresponding serial number.

No. \_\_\_\_\_



3

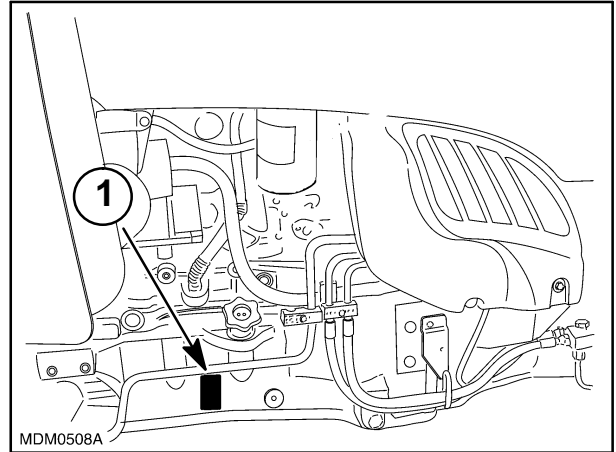
**ENGINE IDENTIFICATION DATA PLATE  
(models T4040 and T4050) – Fig. 4**

The serial number of the engine fitted on the tractor is stamped on the right-hand side of the engine body (1).

Indicate below the corresponding serial number.

No.

---



4

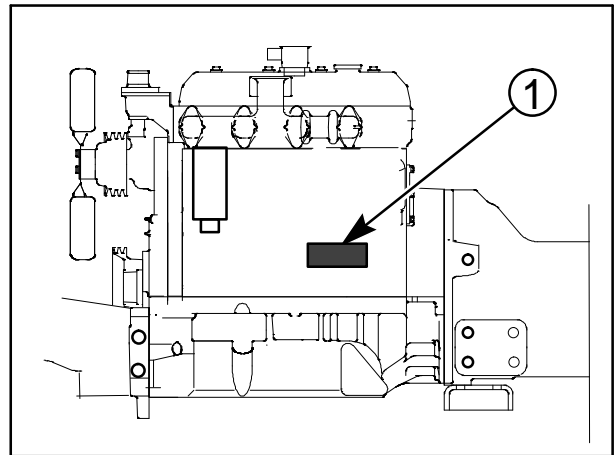
**ENGINE IDENTIFICATION DATA PLATE  
(models T4020 and T4030) FIG – 5**

The serial number (1) of the engine fitted on the tractor is stamped on the left-hand side of the engine body near the hydraulics pumps.

Indicate below the corresponding serial number.

N<sup>o</sup>

---



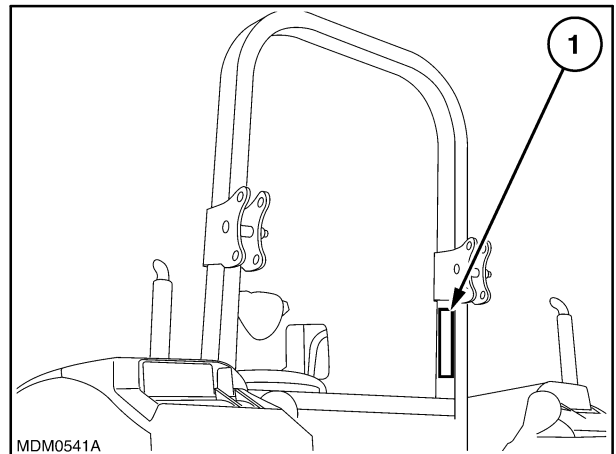
**ROLL BAR IDENTIFICATION PLATE – Fig. 6**

The plate (1) is inside the right-hand upright of the frame.

Indicate below the corresponding serial number.

No.

---



6

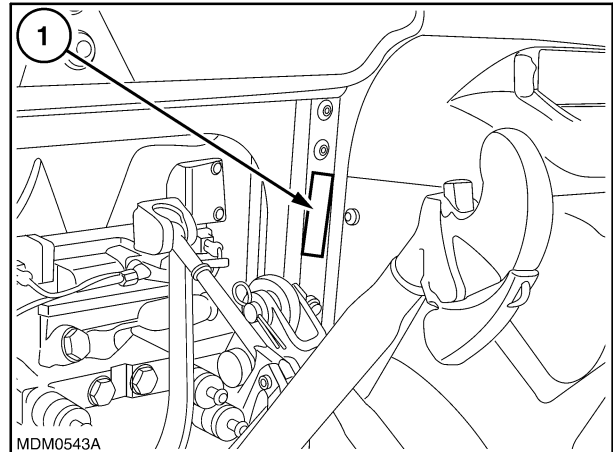
**CAB IDENTIFICATION PLATE – Fig. 7**

The cab identification plate (1) is located at the rear on the right-hand side as shown in the figure.

Indicate below the corresponding serial number.

No.

---



7

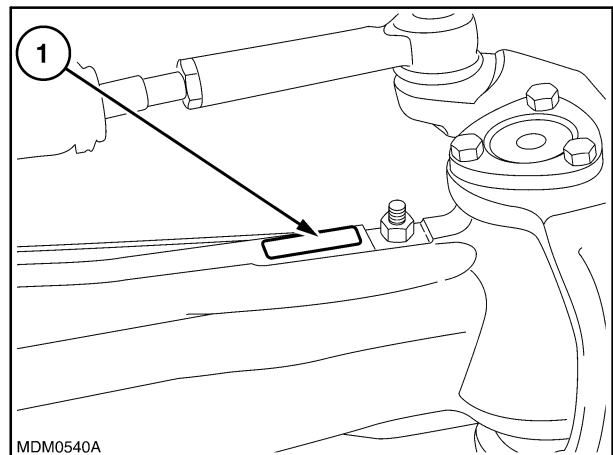
**FRONT AXLE IDENTIFICATION PLATE – Fig. 8**

The plate (1) is located on the right-hand side and gives the identification data for the axle fitted on the machine.

Indicate below the corresponding serial number.

No.

---



8

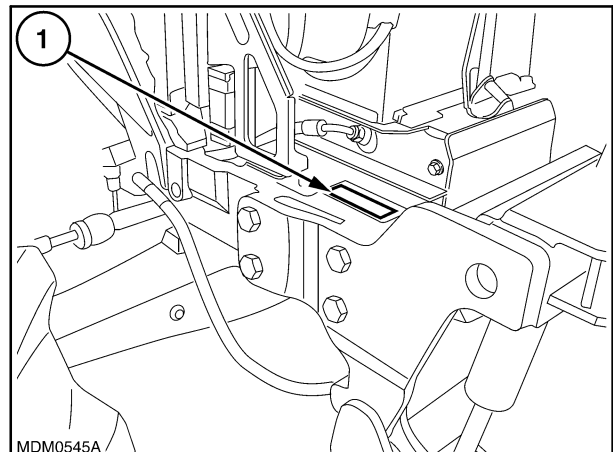
**TRACTOR CHASSIS FRAME IDENTIFICATION DATA PLATE FOR MODELS WITH FRONT LIFT – Fig. 9**

The tractor's frame number is stamped over the front support (1). It gives the identification data.

Indicate below the corresponding serial number.

No.

---



9

Thank you so much for reading.  
Please click the “Buy Now!”  
button below to download the  
complete manual.



After you pay.

You can download the most  
perfect and complete manual in  
the world immediately.

Our support email:

[ebooklibonline@outlook.com](mailto:ebooklibonline@outlook.com)