

ORIGINAL INSTRUCTIONS

# OPERATOR'S MANUAL

---

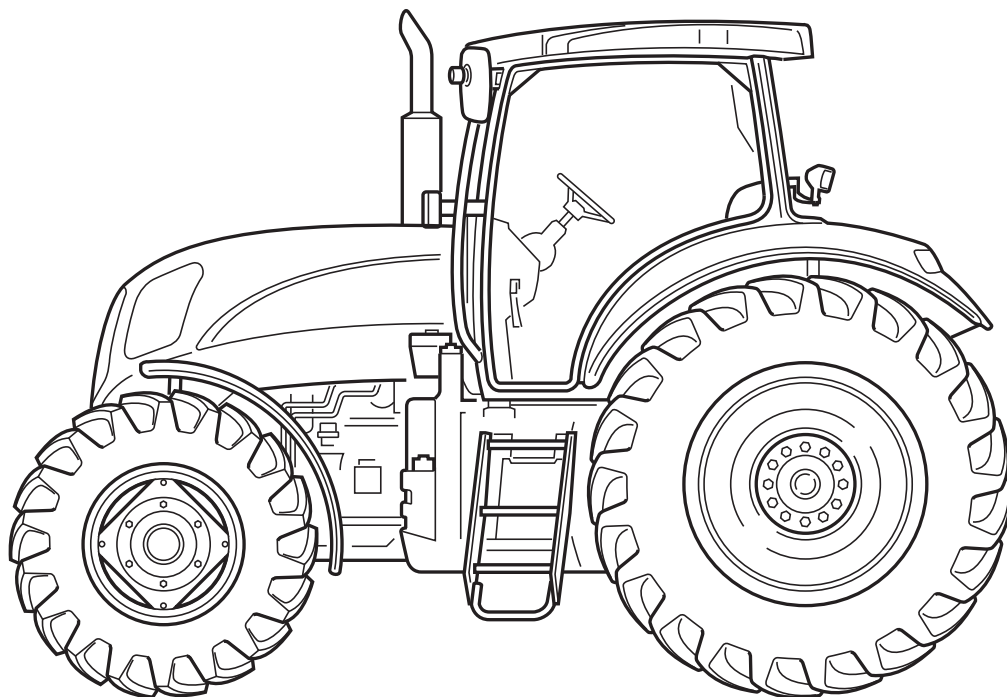
**T7.220**

**T7.235**

**T7.250**

**T7.260**

Power Command



**Part Number 84361992**

1st edition English  
December 2010



# TO THE OWNER

This manual contains information concerning the adjustment and maintenance of your New Holland T7.220, T7.235, T7.250, T260, Tractor. You have purchased a dependable machine, but only by proper care and operation can you expect to receive the performance and long service built into this tractor. Please have all operators read this manual carefully and keep it available for ready reference.

This machine was designed to power and propel itself. It is intended to load and move materials with a variety of buckets and forks. Allied attachments built and supplied by other manufacturers can be used on the tractor where recommended and approved by New Holland.

DO NOT use this machine for any purpose or in any manner other than as described in this manual, decals, or other product safety information provided with this machine. These materials define the machine's intended use.

All persons who will be operating this machine shall possess a valid local vehicle operating permit and/or other applicable local age work permits.

Your New Holland dealer will instruct you in the general operation of your tractor. (Refer to the "Delivery Report" at the back of this manual.) Your dealer's staff of factory-trained service technicians will be glad to answer any questions that may arise regarding the operation of your tractor.

Your New Holland dealer carries a complete line of genuine New Holland service parts. These parts are manufactured and carefully inspected to insure high quality and accurate fitting of any necessary replacement parts. Be prepared to give your dealer the model and PIN number of the engine and tractor, when ordering parts. Locate these numbers now and record them below. Refer to the "General Information" section of this manual for the location of the model and PIN numbers of your tractor.

Model \_\_\_\_\_ Engine Model \_\_\_\_\_  
PIN Number \_\_\_\_\_ Engine Serial Number \_\_\_\_\_

# IMPROVEMENTS

CNH America LLC is continually striving to improve its products. We reserve the right to make improvements or changes when it becomes practical and possible to do so, without incurring any obligation to make changes or additions to the equipment sold previously.

# CONTENTS

Title	Page
<b>Section 1 - General Information and Safety</b>	
To the Owner .....	1-1
Product Identification .....	1-4
Ecology and the Environment .....	1-7
Safety Precautions .....	1-9
Safety Decals .....	1-18
International Symbols .....	1-27
Airborne Noise Emission .....	1-28
Selective Catalytic Reduction .....	1-29
<b>Section 2 - Controls, Instruments and Operation</b>	
Cab .....	2-4
Electrical Power Sockets .....	2-20
Seats .....	2-24
Steering Column Controls .....	2-32
Analogue/Digital Instruments .....	2-36
Enhanced Keypad .....	2-42
Brake Controls and Operation .....	2-87
Power Command Transmission .....	2-95
Differential Lock and Four Wheel Drive .....	2-118
Front Axle Suspension .....	2-122
<b>Section 3 - Field Operation</b>	
Important Information .....	3-1
Boosting the Tractor Battery .....	3-8
Starting the Engine .....	3-9
Stopping the Engine .....	3-12
Engine Power Management .....	3-14
Engine Speed Management .....	3-16
Headland Turn Sequence .....	3-19
Fast Steer .....	3-36
Rear Power Take-Off .....	3-38
Front Power Take-Off and Hydraulic Lift .....	3-55
Electronic Draft Control .....	3-81
Hydraulic Remote Control Valves .....	3-96
Three-point Hitch .....	3-109
Quick Hitch .....	3-115
Linkage Stabilisers .....	3-117
Drawbars and Towing Attachments .....	3-123
Trailer Braking Systems .....	3-139
Front Wheel Track Adjustment .....	3-146
Dynamic Front Fenders .....	3-151
Rear Wheel Track Adjustment .....	3-154
Ballasting and Tyres .....	3-165

## **Section 4 - Lubrication and Maintenance**

General Information .....	4-1
Guard Removal .....	4-10
Lubrication and Maintenance Chart .....	4-14
Servicing: When Warning Lights Illuminate .....	4-17
10-hour/daily service .....	4-20
50-hour service .....	4-21
100-hour service .....	4-33
300-hour service .....	4-32
600-hour service .....	4-35
1200-hour/12 month service .....	4-43
1200-hour/24 month service .....	4-50
Every 3 years .....	4-57
General Maintenance - as required .....	4-59
Storing the tractor .....	4-78

## **Section 5 - Fault Finding**

Introduction .....	5-1
Engine .....	5-4
Transmission .....	5-7
Hydraulics .....	5-8
3-point hitch .....	5-9
Brakes .....	5-10
Cab .....	5-10
Electrical .....	5-11

## **Section 6 - Accessories**

Rotating Beacon .....	6-2
Auxiliary Headlights .....	6-2
Battery Isolator Switch .....	6-3

## **Section 7 - Specification**

General Dimensions .....	7-2
Vehicle Weights .....	7-6
Lubricant and Fluid Capacities .....	7-7
Engine .....	7-8
Fuel System .....	7-8
Cooling System .....	7-9
Transmission Options .....	7-9
Maximum Operating Angle .....	7-10
Rear Power Take-Off .....	7-10
Front Power Take-Off .....	7-10
Hydraulic System .....	7-11
Three-Point Lift .....	7-11
Remote control valves .....	7-15
Front 3-Point Hitch .....	7-15
Front Remote Valves .....	7-15
Brakes .....	7-16
Steering .....	7-16
Electrical Equipment .....	7-17
Hardware Torque Tables .....	7-18

<b>Section 8 - First 50-hour Service Forms</b> .....	8-5
--	-----

<b>Section 9 - Index</b> .....	9-1
--------------------------------	-----

*All data given in this manual is subject to production variations. The dimensions and weights provided are approximate values only and some machine features shown in this manual may not correspond to standard models. For precise information on specific models, features and specifications, please contact your authorised dealer.*

**(North America Only)**  
**(California Only)**

**CALIFORNIA**

**Proposition 65 Warning**

**Diesel engine exhaust and some of its constituents are known to the State of California to cause cancer, birth defects, and other reproductive harm.**

**Battery posts, terminals and related accessories contain lead and lead compounds. Wash hands after handling.**

# SECTION 1

## GENERAL INFORMATION AND SAFETY

### TO THE OWNER

#### GENERAL INFORMATION

This Manual has been prepared to assist you in the correct procedure for running-in, driving and operating and for the maintenance of your new tractor. Read this Manual carefully. Your tractor is intended for use in normal and customary agricultural applications.

If at any time you require advice concerning your tractor, do not hesitate to contact your authorised dealer. He has factory trained personnel, genuine manufacturers' parts and the necessary equipment to carry out all your service requirements.

Your tractor has been designed and built to give maximum performance, economy and ease of operation under a wide variety of operating conditions. Prior to delivery, the tractor was carefully inspected, both at the factory and by your dealer to ensure that it reaches you in optimum condition. To maintain this condition and ensure trouble-free operation, it is important that the routine services, as specified in Section 4 of this Manual, are carried out at the recommended intervals.

#### OPERATORS MANUAL

The Operators Manual supplied with your tractor is an important source of information and should be stored safely.

The manual is prepared specifically for your tractor so it is important that you make a note of the print number and issue date which can be found on the cover. In the event the manual is lost or damaged it can be replaced with the correct version.

A storage pocket for the Operators Manual can be found on the rear of the seat. The manual should be kept in this pocket at all times when not in use.

#### SAFETY

Pages 1-9 to 1-16 inclusive, list the precautions to be observed to ensure your safety and the safety of others. Read the safety precautions and follow the advice offered **before** operating the tractor.

#### CLEANING THE TRACTOR

Your tractor is a state-of-the-art machine with sophisticated, electronic controls. This should be taken into consideration when cleaning the tractor, particularly if using a high pressure washer. Even though every precaution has been taken to safeguard electronic components and connections, the pressure generated by some of these machines is such that complete protection against water ingress cannot be guaranteed.

When using a high pressure washer, do not stand too close to the tractor and avoid directing the jet at electronic components, electrical connections, breathers, seals, filler caps, etc. Never direct a cold water jet at a hot engine or exhaust.

#### ELECTRO-MAGNETIC INTERFERENCE (EMC)

This tractor complies strictly with the European Regulations on electro-magnetic emissions. However, interference may arise as a result of add-on equipment which may not necessarily meet the required standards. As such interference can result in serious malfunction of the unit and/or create unsafe situations, you must observe the following:

- Ensure that each piece of non-New Holland equipment fitted to the tractor bears the CE mark.
- The maximum power of emission equipment (radio, telephones, etc.) must not exceed the limits imposed by the national authorities of the country where you use the tractor.
- The electro-magnetic field generated by the add-on system should not exceed 24 V/m at any time and at any location in the proximity of electronic components.

Failure to comply with these rules will render the New Holland warranty null and void.

### FIRST 50 HOUR SERVICE

In Section 8, at the back of this Manual, you will find the 50-hour service reports.

**IMPORTANT:** *It is important the 50 hour service is carried out as recommended to ensure your tractor provides optimum performance and efficiency.*

After you have operated the tractor for 50 hours, take your tractor, together with this Manual, to your dealer. He will then perform the factory recommended 50 hour service and complete the service report sheets (pages 8-1 and 8-3). The first sheet (page 9-1) is the dealer's copy and should be removed by the dealer after the service has been carried out. The second sheet (page 8-3) is your copy of the service performed. **Ensure that you and the dealer sign both copies.**

### SERVICE PARTS

It should be pointed out that genuine parts have been examined and approved by the Company. The installation and/or use of 'non-genuine' products could have negative effects upon the design characteristics of your tractor and thereby affect its safety. The Company is not liable for any damage caused by the use of 'non-genuine' parts and accessories. Only genuine New Holland replacement parts should be used. The use of non-genuine parts may invalidate legal approvals associated with this product.

It is prohibited to carry out any modifications to the tractor unless specifically authorised, in writing, by the After Sales Service department of the Company.

### WARRANTY

Your tractor is warranted according to legal rights in your country and the contractual agreement with the selling dealer. No warranty shall, however, apply if the tractor has not been used, adjusted and maintained according to the instructions given in the Operator's Manual.

### BIODIESEL FUELS

**IMPORTANT:** *Before using Biodiesel fuels in your tractor, refer to the information on page 4-4 regarding the storage and use of Biodiesel fuels.*

### EMISSION CONTROLS

**ATTENTION:** *The engine and fuel system on your machine is designed and built to government emissions standards. Tampering by dealers, customers, operators and users is **strictly prohibited by law**. Failure to comply could result in government fines, rework charges, invalid warranty, legal action and possible confiscation of the machine until rework to original condition is completed. Engine service and/or repairs must be done by a certified technician only!*



**END USER LICENCE AGREEMENT TERMS**

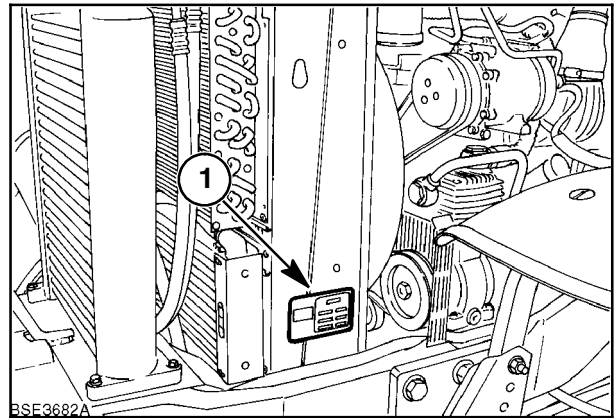
- You have acquired a device (“DEVICE”) that includes Software licensed by CNH America LLC from Microsoft Licensing, GP or its affiliates (“MS”). Those installed software products of MS origin, as well as associated media, printed materials, and “online” or electronic documentation (“SOFTWARE”) are protected by international intellectual property laws and treaties. The SOFTWARE is licensed, not sold. All rights reserved.
- IF YOU DO NOT AGREE TO THIS END USER LICENSE AGREEMENT (“EULA”), DO NOT USE THE DEVICE OR COPY THE SOFTWARE. INSTEAD, PROMPTLY CONTACT CNH AMERICA LLC FOR INSTRUCTIONS ON RETURN OF THE UNUSED DEVICE(S) FOR A REFUND. **ANY USE OF SOFTWARE INCLUDING BUT NOT LIMITED TO USE ON THE DEVICE, WILL CONSTITUTE YOUR AGREEMENT TO THIS EULA (OR RATIFICATION OF ANY PREVIOUS CONSENT.)**
- **GRANT OF SOFTWARE LICENSE.** This EULA grants you the following license:
  - You may use the SOFTWARE only on the DEVICE.
  - **NOT FAULT TOLERANT.** THE SOFTWARE IS NOT FAULT TOLERANT. CNH AMERICA LLC HAS INDEPENDENTLY DETERMINED HOW TO USE THE SOFTWARE IN THE DEVICE, AND MS HAS RELIED UPON CNH AMERICA LLC TO CONDUCT SUFFICIENT TESTING TO DETERMINE THAT THE SOFTWARE IS SUITABLE FOR SUCH USE.
  - **NO WARRANTIES FOR THE SOFTWARE.** THE SOFTWARE is provided “AS IS” and with all faults. THE ENTIRE RISK AS TO SATISFACTORY QUALITY, PERFORMANCE, ACCURACY AND EFFORT (INCLUDING LACK OF NEGLIGENCE) IS WITH YOU. ALSO, THERE IS NO WARRANTY AGAINST INTERFERENCE WITH YOUR ENJOYMENT OF THE SOFTWARE OR AGAINST INFRINGEMENT. **IF YOU HAVE RECEIVED ANY WARRANTIES REGARDING THE DEVICE OR THE SOFTWARE, THOSE WARRANTIES DO NOT ORIGINATE FROM, AND ARE NOT BINDING ON, MS.**
- No Liability for Certain Damages. **EXCEPT AS PROHIBITED BY LAW, MS SHALL HAVE NO LIABILITY FOR ANY INDIRECT, SPECIAL, CONSEQUENTIAL OR INCIDENTAL DAMAGES ARISING FROM OR IN CONNECTION WITH THE USE OR PERFORMANCE OF THE SOFTWARE. THIS LIMITATION SHALL APPLY EVEN IF ANY REMEDY FAILS OF ITS ESSENTIAL PURPOSE. IN NO EVENT SHALL MS BE LIABLE FOR ANY AMOUNT IN EXCESS OF U.S. TWO HUNDRED AND FIFTY DOLLARS (U.S. \$250.00)**
- **Limitations on Reverse Engineering, Decompilation, and Disassembly.** You may not reverse engineer, decompile, or disassemble the SOFTWARE, except and only to the extent that such activity is expressly permitted by application law notwithstanding this limitation.
- **SOFTWARE TRANSFER ALLOWED BUT WITH RESTRICTIONS.** You may permanently transfer rights under this EULA only as part of a permanent sale or transfer of the DEVICE, and only if the recipient agrees to this EULA. If the SOFTWARE is an upgrade, any transfer must also include all prior versions of the SOFTWARE.
- **EXPORT RESTRICTIONS.** You acknowledge that SOFTWARE is subject to U.S. export jurisdiction. You agree to comply with all applicable international and national laws that apply to the SOFTWARE, including the U.S. Export Administration Regulations, as well as end-user, end-use and destination restrictions issued by U.S. and other governments. For additional information see <http://www.microsoft.com/exporting/>.

## PRODUCT IDENTIFICATION

The tractor and major components are identified using serial numbers and/or manufacturing codes.

Tractor identification data must be supplied to the dealer when requesting parts or service and will also be needed to aid in identifying the tractor if it is ever stolen.

The following provides the locations of the identification data.

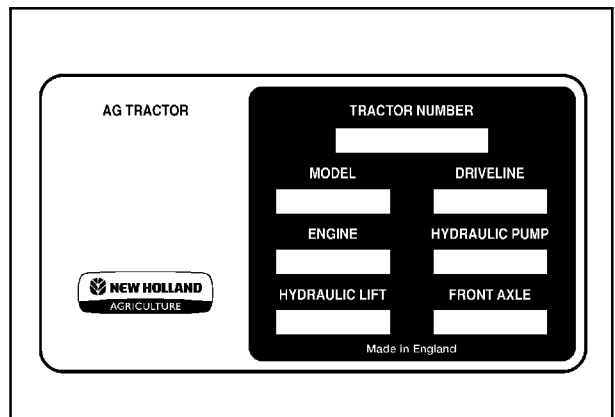


BSE3682A

1

### Vehicle Identification Plate

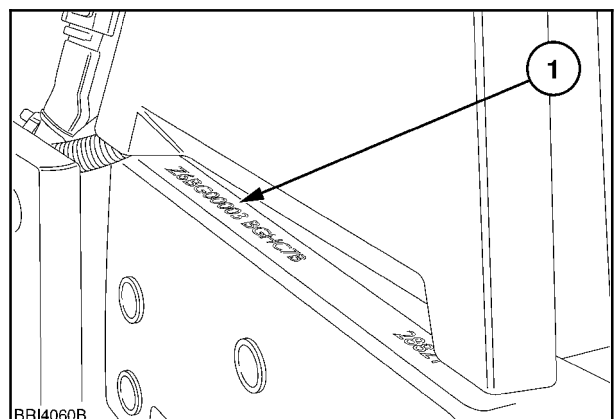
The vehicle identification plate, (1) Figure 1 is located on the left-hand radiator support. Record the information on the sample identification plate provided.



2

### Tractor Identification

The serial number and model identification information is stamped on the right-hand side of the front support (1). These numbers are also repeated on the vehicle identification plate reproduced above.



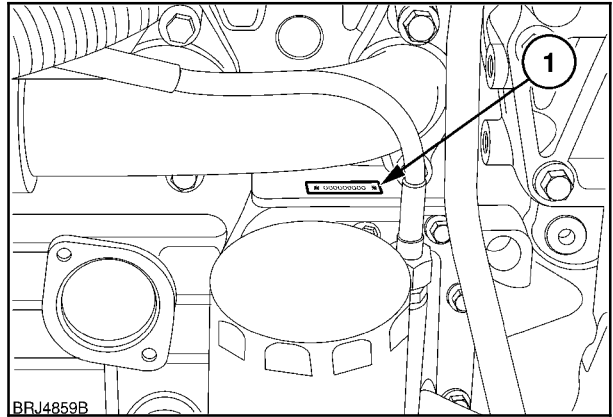
BR14060B

3

**Engine Information**

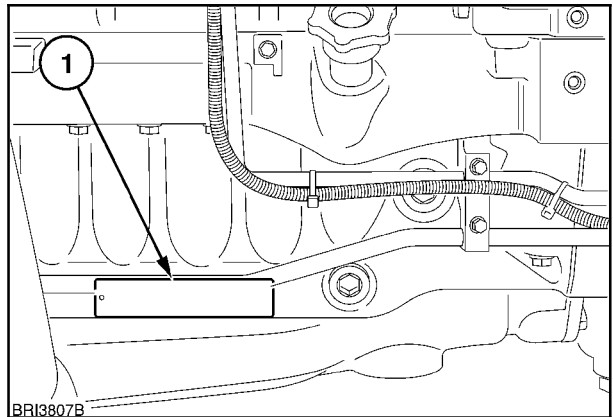
The engine serial number and date of manufacture are stamped on the right-hand side of engine block (1), below the manifold. Record the number below.

Engine Serial No. \_\_\_\_\_



4

The details are repeated on the information plate located on the left side of the engine oil pan.



5

Further information relating to engine adjustments and emission level compliance are also shown on the engine information plate.

**NOTE:** The details displayed on the engine information plate may change according to the country in which the tractor is sold.

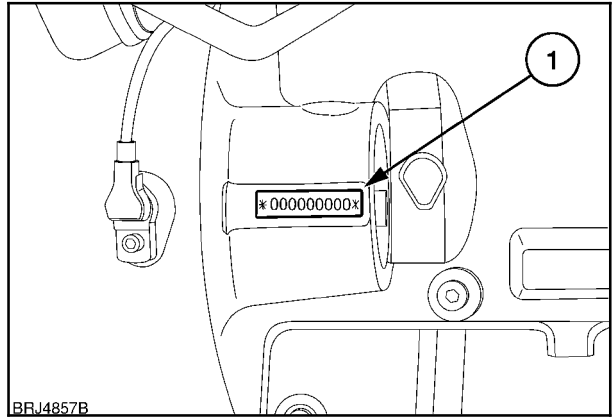
<b>EMISSION CONTROL INFORMATION</b>			ENGINEERED BY <b>ENGINE MADE IN ITALY</b>	
ENGINE FAMILY	MODEL	MANUFACTURE DATE (mm-yy)	ENGINE TYPE	SERIAL NUMBER
DISPLACEMENT L	ADVERTISED POWER	EMR/gph	POWER CATEGORY:	
THIS ENGINE COMPLIES WITH U.S. EPA REGULATION FOR NON ROAD AND STATIONARY DIESEL ENGINES AND CALIFORNIA REGULATION FOR MODEL YEAR NON ROAD DIESEL ENGINES THIS ENGINE IS CERTIFIED TO OPERATE ON: ULTRA LOW SULFUR FUEL ONLY				
ECS:	DELEGATED ASSEMBLY	Ud		Ua
				Uc

### Driveline Identification

#### Power Command Transmission

The serial number plate (1) is located on the right-hand side of the transmission casing behind the battery carrier. This number is repeated on the vehicle identification plate. Record the information below for quick reference.

Driveline Serial No. \_\_\_\_\_

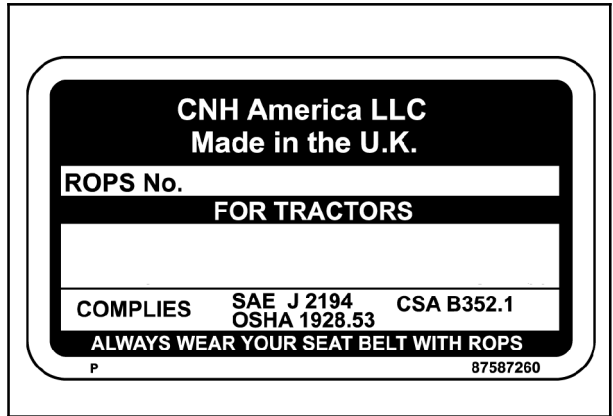


BRJ4857B

6

#### ROPS identification plate

The ROPS identification plate can be found on the right-hand side of the cab trim panel, below the rear window.



7

Thank you so much for reading.  
Please click the “Buy Now!”  
button below to download the  
complete manual.



After you pay.

You can download the most  
perfect and complete manual in  
the world immediately.

Our support email:

[ebooklibonline@outlook.com](mailto:ebooklibonline@outlook.com)