

OPERATOR'S MANUAL

T7.240

T7.245

Tractor

Part number 84417619

7th edition English

April 2015



Contents

1 GENERAL INFORMATION

Note to the owner	1-1
Product Identification	1-3
Engine identification	1-4
Component identification - Transmission	1-4
Cab identification	1-5
International symbols	1-6

2 SAFETY INFORMATION

Safety decals	2-1
Noise level	2-8
Roll Over Protection Structure (ROPS)	2-9
Safety Precautions	2-10
Before operating the tractor	2-11
Driving the vehicle	2-11
Operating the tractor	2-12
Power take off (PTO) operation	2-13
Operating the external controls	2-14
Servicing	2-14
Diesel fuel	2-16
Fire or Explosion Prevention	2-17
Protection offered by the tractor	2-18
Intended use statement	2-21
Ecology and the environment	2-22

3 CONTROLS AND INSTRUMENTS

ACCESS TO OPERATOR'S PLATFORM

Introduction	3-1
External rear view mirrors	3-3
Cab	3-3
In cab storage (where applicable)	3-5
Cable and wiring routing	3-5
Mobile telephone usage	3-6
Implement monitor installation	3-6

OPERATOR'S SEAT

Operator seat	3-7
Seat belt	3-8

INSTRUCTOR'S SEAT

Instructor's seat (when fitted)	3-9
---------------------------------------	-----

FORWARD CONTROLS

Ignition key	3-10
--------------------	------

Warning lights	3-10
Left-hand control lever.....	3-11
Follow me home lights	3-11
Right-hand control lever	3-12
Clutch pedal	3-12
Control levers forward and reverse	3-13
Inching pedal and throttle.....	3-13
Foot pedals - Service brake	3-14
Steering column	3-15

LEFT-HAND SIDE CONTROLS

Parking brake.....	3-16
--------------------	------

RIGHT-HAND SIDE CONTROLS

Switches	3-17
Hand throttle.....	3-18

REARWARD CONTROLS

Switches on C-pillar	3-19
----------------------------	------

OVERHEAD CONTROLS

Overhead controls.....	3-19
Interior lights.....	3-20
Climate controls	3-21
Manual temperature control	3-23

INSTRUMENT CLUSTER

Instrument panel.....	3-24
Gauges	3-24
Indicator and warning lights	3-25
Gauges	3-27
Keypad enhanced	3-29
Selecting or changing the display settings	3-31
Ground speed setup.....	3-32
Performance monitor	3-37
Alarm functions	3-45
Accessing stored error codes	3-47
Warning and advisory symbols	3-48
Color monitor (where fitted)	3-55
Pop-up screens on color display	3-57
Performance monitor on color display.....	3-63
Display setup – Implement width	3-66

4 OPERATING INSTRUCTIONS

COMMISSIONING THE UNIT

Fueling the machine.....	4-1
--------------------------	-----

STARTING THE UNIT

Starting the engine	4-2
Cold starting aids	4-3
Booster battery procedure	4-4

STOPPING THE UNIT

Stopping the engine	4-5
Engine automatic shutdown	4-5
Engine automatic shutdown with enhanced keypad (where fitted)	4-6

MOVING THE UNIT

FULL POWERSHIFT TRANSMISSION	4-7
General information	4-7
Transmission operation	4-7
Operating the machine	4-8
Automatic mode	4-9
Full powershift transmission – Speed correspondence	4-14

5 TRANSPORT OPERATIONS

PREPARING FOR ROAD TRANSPORT

Carrying the tractor on a transporter	5-1
---	-----

RECOVERY TRANSPORT

Machine towing	5-1
----------------------	-----

6 WORKING OPERATIONS

GENERAL INFORMATION

Variable engine power management	6-1
Constant engine speed	6-2
Differential lock system	6-4
Four wheel drive	6-7

AUTOMATED HEADLAND FUNCTIONS

Recording and replaying	6-8
Recording a sequence	6-10
Playing a sequence	6-12
Explanation of symbols	6-14
Quick guide	6-15

TRANSMISSION

Transmission operation	6-17
Ground speed chart	6-18
Inching pedal and throttle	6-19
Hand throttle	6-19
Fault codes	6-20

REAR POWER TAKE-OFF

Power Take-Off (PTO) operating precautions	6-21
Power Take-Off (PTO) connection.....	6-21
Operating the Power Take-Off (PTO).....	6-22
Power Take-Off (PTO) operation – Two speeds	6-26
Auto Power Take-Off (PTO) operation.....	6-27

REAR HITCH

Electronic Draft Control (EDC)	6-29
Colour display screens – Adjusting the hydraulic lift	6-33
Operation – Electronic draft controller	6-35
Colour display screens – Adjusting the slip limit	6-39
Operating the external controls.....	6-40

HYDRAULIC REMOTE CONTROL VALVES

Hydraulic remote control valves	6-42
Operation with remote valves	6-44
Connecting remote cylinders	6-46
Remote control valves - Configure Motor kit	6-48
Hydraulic oil free-flow return.....	6-48
Hydraulic oil level when using remote hydraulic equipment.....	6-49

THREE POINT HITCH

Attach the implement on the hydraulic lift	6-51
Setups – Lift arm	6-53
Setups - Third point arm	6-54
Quick hitch.....	6-55

DRAWBARS AND TOWING ATTACHMENTS

Maximum permitted loads on drawbar	6-57
Tractor drawbar.....	6-59

TRAILER BRAKING SYSTEMS

Pneumatic trailer brake.....	6-62
Auxiliary air supply connector (where fitted).....	6-65

WHEEL TRACK ADJUSTMENT

Front wheel track adjustment.....	6-66
Front wheel alignment	6-68
Steering stops	6-69
Front axle oscillation stops	6-69
Front wheel fenders	6-70
Front axle with extension (Cane cultivator) - If equipped	6-72
Rear axle flange type (where fitted)	6-73
Rear axle bar type (where fitted)	6-77
Dual rear wheels (where fitted).....	6-82

BALLASTING AND TIRES

Ballasting and tires	6-83
Tires - Compatibility table	6-85
Iron weights (where fitted)	6-86
Liquid ballast	6-88
Tyres - Inflation	6-92
Tire pressures and permissible loads	6-93

AUXILIARY POWER CONNECTIONS

Diagnostic socket.....	6-95
Auxiliary electrical outlet.....	6-95
Internal power connectors	6-96
External power connectors	6-98

7 MAINTENANCE

GENERAL INFORMATION

Introduction	7-1
Fuel handling precautions	7-2
Diesel fuel	7-4
Specifications - Biodiesel fuel	7-5
Fluids and lubricants	7-7
Protective devices	7-8

MAINTENANCE CHART

Maintenance chart.....	7-10
------------------------	------

WHEN THE WARNING LAMP LIGHTS

Engine air filter, primary	7-12
Drain the fuel system water separator.....	7-14

EVERY 10 HOURS OR EACH DAY

Engine coolant	7-15
Engine oil	7-16
Check the remote control valve drain bottles.....	7-16
Windshield wiper fluid reservoir	7-17
Pneumatic brake reservoir	7-17
Fuel prefilter/water separator – Check	7-17

FIRST 50 HOURS

First 50 Hour Service	7-18
-----------------------------	------

EVERY 50 HOURS

Cab air filters – Cleaning	7-19
Cab recirculation air filter	7-20
Cleaning the radiators	7-21
Grease points.....	7-22

Wheel nuts torque – Check	7-25
Check the tire pressures and the tire condition.....	7-25

EVERY 300 HOURS

Engine belt	7-26
Pneumatic brake compressor belt – Check	7-26
A/C compressor belt.....	7-26
Change the fuel filter element	7-27
Replace engine oil filter.....	7-28
Adjust the hand brake	7-29
Rear axle oil level.....	7-29
Axle oil level front – Check	7-30
Wheel hub - Change fluid	7-30
Front axle with extension – Cane harvester (when available)	7-31
Cab air filters – Activated charcoal filter – (when installed)	7-32

EVERY 600 HOURS

Engine air filter - Outer element	7-33
Engine air filter - Inner element.....	7-34
Check the air intake connections.....	7-35
Check the transmission oil cooler pipe couplings	7-36
Fuel injection system - Cleaning	7-36
Cab air filters	7-37
Cab recirculation air filter	7-37
Change the charge pump oil filter	7-38

EVERY 1200 HOURS OR ANNUALLY

Pneumatic brake system dryer	7-39
Change hydraulic system oil	7-40
Change front axle oil	7-41
Grease the rear axle shaft bearing	7-41
Front axle with extension – Cane harvester (when available)	7-42
Hydraulic oil filter	7-43
Autopilot valve - Replace Filter	7-43
Change the engine breather filter	7-44
Engine valve clearance.....	7-44

EVERY 1200 HOURS OR EVERY 2 YEARS

Change the engine coolant fluid	7-45
---------------------------------------	------

GENERAL MAINTENANCE

Air conditioning filter drier	7-49
Cleaning the tractor.....	7-50
Bleeding the fuel injection system	7-51
Service brakes.....	7-51
Adjust the cab suspension (where fitted).....	7-52
Headlight and worklamp adjustment	7-53

Replacing bulbs	7-54
Fuses and Relays	7-58
Battery	7-62

STORAGE

Storing the machine	7-63
Preparation for use after storage	7-64

8 TROUBLESHOOTING

FAULT CODE RESOLUTION

Introduction	8-1
--------------------	-----

ALARM(S)

Fault codes	8-2
-------------------	-----

SYMPTOM(S)

Engine	8-3
Transmission	8-5
Hydraulic System	8-5
Three-point hitch	8-6
Brakes	8-6
Cab	8-6
Electrical System	8-7

9 SPECIFICATIONS

GENERAL DIMENSIONS	9-1
General dimensions	9-1
Fluids and lubricants	9-4
Engine	9-6
Transmission	9-7
Hydraulic System	9-7
Three-point hitch	9-7
Power Take-Off (PTO)	9-7
Hydraulic remote control valves	9-8
Brakes	9-8
Steering	9-8
Electrical	9-8

10 ACCESSORIES

Pneumatic trailer brake	10-1
Rotary beacon (option)	10-3

1 - GENERAL INFORMATION

Note to the owner

GENERAL INFORMATION

This Manual has been prepared to assist you in the correct procedure for running-in, driving and operating and for the maintenance of your new machine. Read this manual carefully. Your machine is designed to be used in normal and customary agricultural applications.

If you require technical support for your machine at any time, do not hesitate in contacting your NEW HOLLAND dealer. They have company trained personnel, genuine parts and the necessary equipment to carry out all your service requirements.

The specification are provided for your information and guidance. For further information concerning your tractor and equipment, consult your NEW HOLLAND dealer.

All data given in this book is subject to production variations. Dimensions and weights are approximate. The illustrations do not necessarily show tractors in standard condition or imply that these features are available in all countries. For exact information about any particular tractor, please consult your NEW HOLLAND dealer.

Your tractor has been designed and built to give maximum performance, economy and ease of operation under a wide variety of operating conditions. Prior to delivery, the tractor was carefully inspected, both at the factory and by your NEW HOLLAND dealer to ensure that it reaches you in optimum condition. To maintain this condition and ensure trouble-free operation, it is important that the routine services, as specified on page 7-10 of this Manual, are carried out at the recommended intervals.

OPERATORS MANUAL STORAGE

The Operators Manual supplied with your tractor is an important source of information and should be stored safely.

The manual is written specifically for your tractor so it is important that you make a note of the print number and issue date which can be found on the cover. In the event the manual is lost or damaged it can be replaced with the correct version.

A storage pocket for the Operators Manual can be found on the rear of the seat. The manual should be kept in this pocket at all times when not in use.

ABOUT THIS MANUAL

This manual gives information for use of your machine, as intended and under the conditions foreseen by the manufacturer during normal operation and routine service and maintenance.

Read and understand; keep it in good condition and always safely store it in the provided pocket in the back of your seat for later easy use.

This manual does not contain all the information related to periodical service, converting and repairs to be carried out by NEW HOLLAND professional service personnel.

The Table of Contents page(s) are provided to have an overview of main manual's topics. A detailed alphabetic index is available at the end of this manual for locating specific items.

Normal Operation

- Normal operation means the use of the tractor for the purpose intended by the manufacturer by an operator familiar with the tractor and the mounted or towed equipment and complying with the information for operation and safe practices, as specified by the manufacturer in this manual and by the decals on the tractor and the equipment.
- Normal operation includes the preparation and storage of the tractor, swinging components into work position and vice versa, adding or removing ballast and picking up and setting off attachments.
- Normal operation includes the adjustment and setting of the tractor and equipment, for the specific condition of the field and/ or the crop.

Routine service

- Routine service and maintenance means activities that must be done daily by an operator familiar with the tractor characteristics and complying with the information for routine service and safe practices, as specified by the manufacturer in this manual and by decals on the tractor, in order to maintain its proper function. Routine service includes activities such as fuelling, cleaning, washing, topping up fluid levels, greasing, and replacing consumable articles such as lamp bulbs.

Converting, periodical service and repair

- Periodical service means activities that must be done at defined intervals by trained personnel familiar with the tractor characteristics and which are complying with the information for periodical service and safe practices, as partly specified by the manufacturer in this manual and in other Company literature, in order to maintain the expected life time of the tractor.
- Converting means activities that must be done by professional service personnel familiar with the tractor characteristics and complying with the information for converting, as partly specified by the manufacturer in

this manual, in assembly instructions or in other Company literature, in order to fit the tractor to a specific configuration.

- Repair means activities that must be done by professional service personnel only who are familiar with the tractor characteristics and complying with the information for repair, as specified by the manufacturer in the NEW HOLLAND dealer's Service Manual, in order to restore the proper function of the tractor after a failure or reduction in performance.

CLEANING THE TRACTOR

Your tractor is a state-of-the-art machine with sophisticated, electronic controls. This should be taken into consideration when cleaning the tractor, particularly if using a high pressure washer. Even though every precaution has been taken to preserve electronic components and connections, the pressure generated by some of these machines is such that complete protection against water ingress cannot be guaranteed.

When using a high pressure washer, do not stand too close to the tractor and avoid directing the jet at electronic components, electrical connections, breathers, seals, filler caps, etc. Never direct a cold water jet at a hot engine or exhaust.

Failure to comply with these rules will render the warranty null and void.

Safety

The pages in Section 2 list the precautions to be observed to ensure your safety and the safety of others. Read the safety precautions and follow the advice offered before operating the tractor.

SERVICE PARTS

It should be pointed out that genuine parts have been examined and approved by the Company. The installation

and/or usage of 'non-genuine' products could have negative effects upon the design characteristics of your tractor and thereby affect its safety. The Company is not liable for any damage caused by the use of 'non-genuine' parts and accessories. Only genuine replacement parts should be used. The use of non-genuine parts may invalidate legal approvals associated with this product.

It is prohibited to carry out any modifications to the tractor unless specifically authorised, in writing, by the After Sales Service department of the Company.

WARRANTY

Your tractor is warranted according to legal rights in your country and the contractual agreement with the selling dealer. No warranty shall, however, apply if the tractor has not been used, adjusted and maintained according to the instructions given in the Operator's Manual.

Check the mandatory services for your machine in the Warranty Booklet. The Warranty Booklet is issued with the machine.

USE OF BIODIESEL FUELS

NOTICE: Before using Biodiesel fuels in your tractor, refer to the information on page 7-4 regarding the storage and use of Bio diesel fuels.

EMISSION CONTROLS

The design and construction of the engine and fuel system on your machine meets government emissions standards. tampering by dealers, customers, operators and users is strictly prohibited by law. Failure to comply could result in government fines, rework charges, invalid warranty, legal action and possible confiscation of the machine until rework to original condition is completed. Engine service and/ or repairs must be done by a certified technician only!

Product Identification

The tractor and major components are identified using serial numbers and / or manufacturing codes.

The identification data must be supplied to your NEW HOLLAND dealer when requesting parts or services, also providing tractor identification in the event of theft.

The following provides the locations of the identification data.

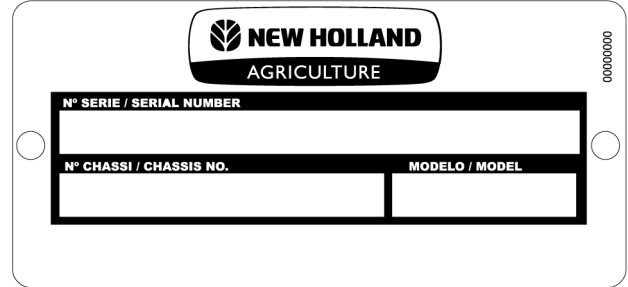
Machine identification plate

The vehicle identification plate is located on the left-hand side of the front axle support, close to the support for the front weights. Take note of the information and insert them in the fields below:

Series No.: _____

Chassis No.: _____

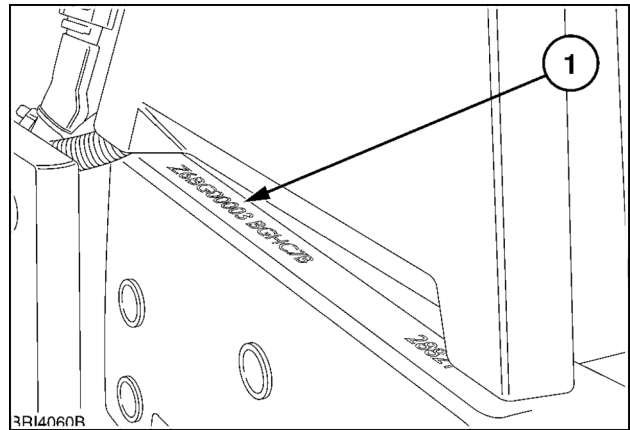
model: _____



CUIL14TR0004AA 1

Chassis identification

The serial number and model identification information is stamped on the front support (1). These numbers are also repeated on the vehicle identification plate reproduced above.

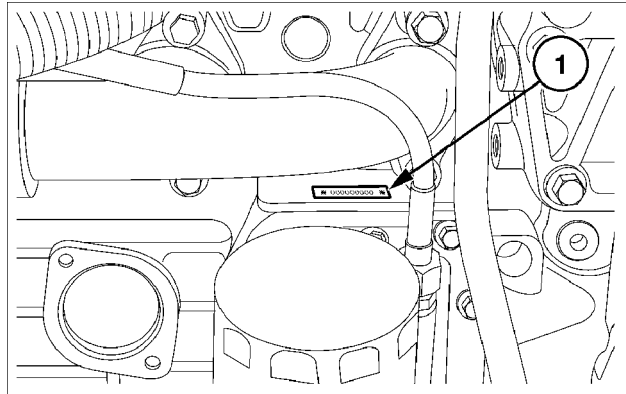


1-3 2

Engine identification

The engine serial number and date of manufacture are stamped on the right- hand side of engine block **(1)** below the manifold. Record the number below.

Engine Serial No. _____

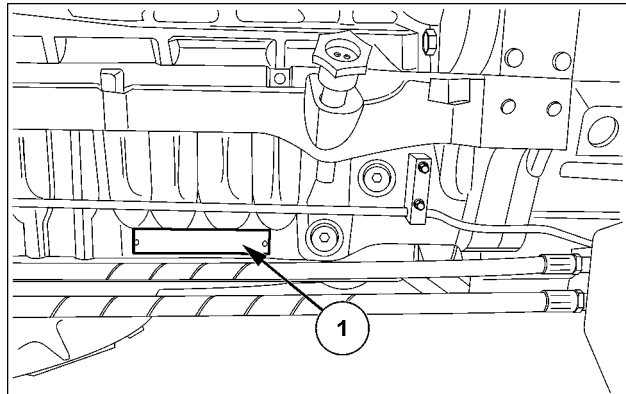


BRJ4859B 1

NOTE: The engine serial number is repeated on the information plate located on the left side of the engine oil pan.

Further information relating to engine adjustments and emission level compliance are also shown on the engine information plate.

NOTE: The details displayed on the engine information plate may change depending on the country in which the tractor is sold.



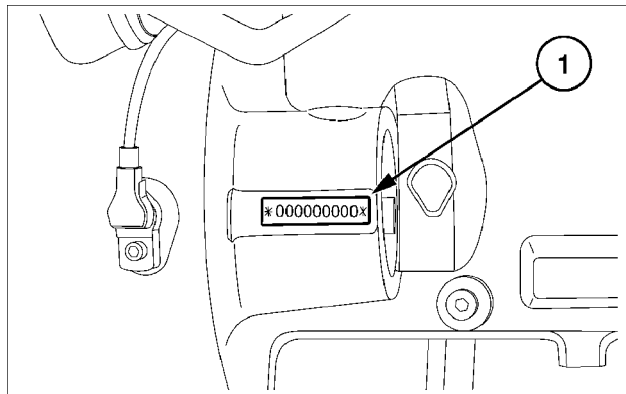
SS10K020 2

Component identification - Transmission

The serial number plate **(1)** is located on the right- hand side of the transmission casing behind the battery carrier.

This number is repeated on the vehicle identification plate. Record the information below for quick reference.

Driveline Serial Number. _____

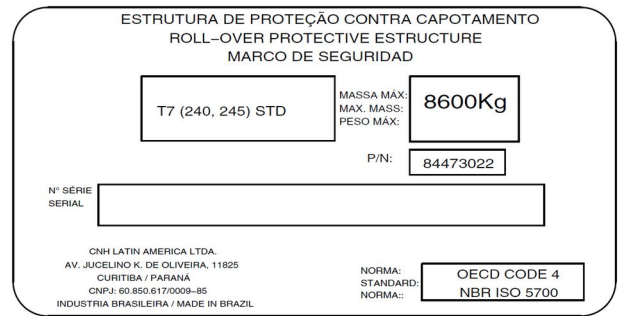


BRJ4857B 1

Cab identification

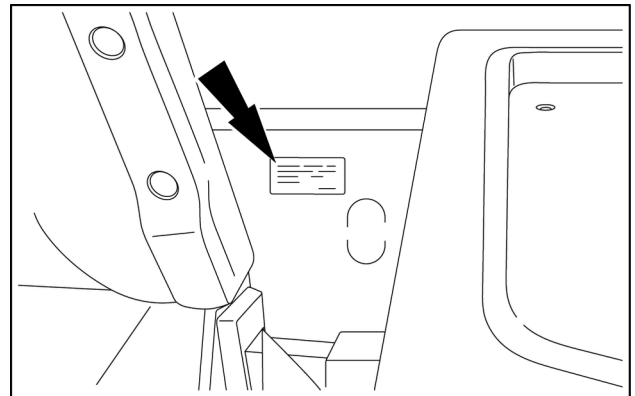
The Rollover Protective Structure (ROPS) is identified with a plate. The following information is engraved on this plate:

- the machine model
- the maximum weight of the machine
- the plate code
- the Product Identification Number (PIN)
- the ROPS homologation standard



84473022D 1

Location for attaching the plate on models with a cab.



CUIL13TR00414AA 2

International symbols

As a guide to the operation of the machine, various universal symbols have been utilized on the instruments, controls, switches, and fuse box. The symbols are shown below with an indication of their meaning.

 Heater plug for cold start	 Turning signal	 Power Take-Off (PTO)	 Reaction control
 Alternator charging	KAM Activated memory	N Transmission in neutral	 Accessories socket
 Fuel level	 Turn signals	 Creeper selection	 Implement socket
 Automatic fuel shut-off	 Turn signals - one trailer	 Low speed selection	 % Percentage slip
 Engine speed (rpm x 100)	 Turn signals - two trailers	 High speed selection	 Raising of the hydraulic lift
 Hour meter	 Wind shield washer	 Road speed	 Rear hitch lower
 Engine oil pressure	 Windscreen wash wipe	 Differential Lock	 Hydraulic lift height threshold
 Engine coolant temperature	 Heating temperature control	 Rear axle oil temperature	 Hydraulic lift disabled
 Coolant level	 Cab recirculation fan	 Transmission oil pressure	 Transmission filters and hydraulic filters
 Machine lights	 Air conditioner	 Auxiliary Front Wheel Drive (AFWD) operated	 Remote control valve extension
 Main beam head	 Air Filter Restriction	 Warning!	 Remote control valve command retraction
 Low beam	 Parking brake	 Danger warning lights	 Remote control valve flotation
 Work lamps	 Brake fluid level	 Variable control	 Malfunction! See Operator's
 Stop lamp	 Trailer brake	 Pressurized! Open carefully	 Malfunction! (alternative symbol)
 Klaxon	 Warning! Corrosive substance	 Position control	 Brake fluid level

2 - SAFETY INFORMATION

Safety decals

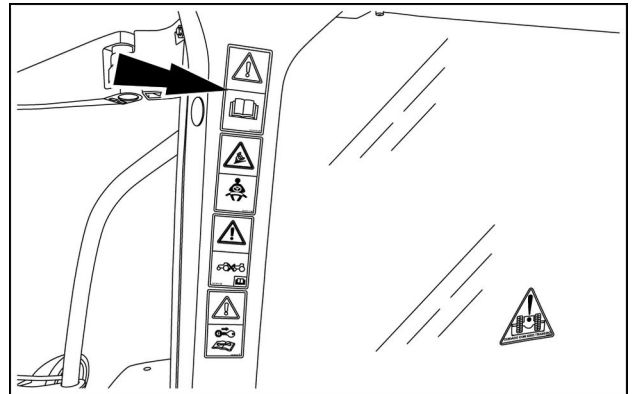
The decals reproduced on the following pages were installed on your machine in the positions indicated in the drawings below. These safety decals are important both for your safety and that of personnel working with you. Take the manual with you and walk around the machine, observing the location of the decals and their meaning. Check all of the decals and the detailed operating instructions in this Manual with the operators. Clean the decals and keep them visible. Do not use solvent, gasoline, or other chemical products to clean them. Replace all worn, damaged or missing Decals. If a decal is on a part that is replaced, make sure new part has the decal.

Alert reminder to information in the operator's manual.
Quantity: 1
73401518



73401518 1

The decal is located on the left-hand front column.



CUIL14TR00021AA 2

Thank you so much for reading.
Please click the “Buy Now!”
button below to download the
complete manual.



After you pay.

You can download the most
perfect and complete manual in
the world immediately.

Our support email:

ebooklibonline@outlook.com