

ORIGINAL INSTRUCTIONS - according to Directive 2006/42/EC, Annex I 1.7.4.1

OPERATOR'S MANUAL

T8.275

T8.300

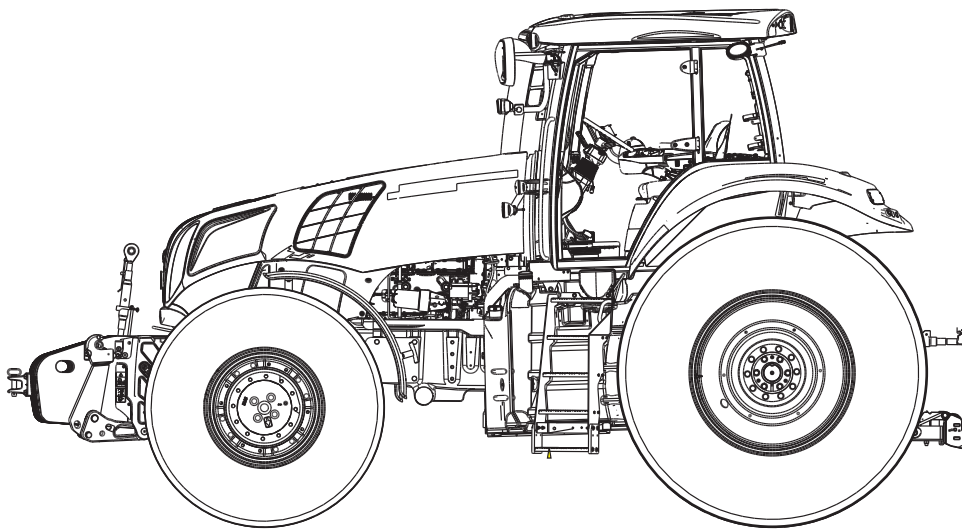
T8.330

T8.360

T8.390

Tractor

from PIN ZBRC07000 and after



Part number 84516834

1st edition English
September 2011



Contents

1 GENERAL INFORMATION

Your tractor	1-1
Declaration of conformity	1-2
Tractor intended use	1-4
Manual storage	1-6
Product identification	1-7
Machine orientation	1-9
Component location	1-10

2 SAFETY INFORMATION

Safety rules and signal word definitions	2-1
Read the Operators Manual	2-2
Safety rules - General	2-2
Safety rules - Air conditioning system	2-3
Safety rules - Basic operating	2-3
Safety rules - Battery	2-4
Safety rules - Driving on public roads	2-4
Safety rules - Electrical storm safety	2-5
Safety rules - Fire prevention	2-5
Safety rules - General maintenance	2-5
Safety rules - Hazardous chemicals	2-7
Safety rules - Implements, tools and trailers	2-7
Safety rules - Instructional seat	2-8
Safety rules - Mounting and dismounting	2-8
Safety rules - Operator presence system	2-8
Safety rules - PTO operation	2-8
Safety rules - Roll over and tip over	2-9
Safety rules - Utility power lines	2-9
Safety rules - Vehicle vibration	2-10
Safety rules - Wheels and tires	2-10
Roll over protective structure (ROPS)	2-12
FOPS	2-13
Noise levels	2-14
Vehicle vibration levels	2-15
Fire extinguisher	2-16
Emergency exit	2-16
Wheel wedges	2-17
Safety decals	2-18
Selective catalytic reduction (SCR) decal	2-29
Ecology and the environment	2-30

3 CONTROLS/INSTRUMENTS

ACCESS TO OPERATOR'S PLATFORM

Tractor access	3-1
----------------------	-----

OPERATOR'S SEAT

Overview	3-2
Control identification	3-3

INSTRUCTOR'S SEAT

Overview	3-6
----------------	-----

FORWARD CONTROLS

Steering column	3-7
Front console	3-10
Pedal controls	3-12

LEFT-HAND SIDE CONTROLS

Emergency brake lever	3-14
-----------------------------	------

RIGHT-HAND SIDE CONTROLS

Armrest console	3-15
Multi function handle	3-16
Hand throttle lever	3-19
Control panel	3-20
Remote valve controls	3-28
Joystick	3-29
Rear hitch controls	3-31
Armrest compartment	3-33
Adjusting the armrest console	3-35

REARWARD CONTROLS

Fender console	3-36
Automatic temperature controls	3-39
Automatic temperature control system	3-42
Ventilation	3-43

OVERHEAD CONTROLS

Interior lamps	3-45
----------------------	------

EXTERIOR CONTROLS

Rear fender controls	3-46
Front hitch	3-47

INSTRUMENT CLUSTER

Overview	3-48
Gauges	3-48
Status and warning icons	3-50
Upper display	3-53
Lower display	3-55
Keypad	3-57
Setup menu	3-59

Rear tire radius chart	3-65
Adjust menu	3-66
Performance instrumentation.....	3-73

4 OPERATING INSTRUCTIONS

COMMISSIONING THE UNIT

Before starting the engine	4-1
----------------------------------	-----

STARTING THE UNIT

Normal engine starting	4-4
Cold starting aids	4-7
Cold temperature operation	4-9
Cold temperature operation	4-11

STOPPING THE UNIT

Stopping the engine	4-13
---------------------------	------

MOVING THE UNIT

Powershift transmission	4-14
Best practices for prolonged transmission life.....	4-15
Inching pedal and throttle.....	4-16
Transmission controls	4-17
Upper display	4-20
Driving the vehicle	4-22
Setting default gears	4-27
Ground speed management (GSM)	4-29
Selective catalytic reduction (SCR) system	4-36
SCR inducement strategy - 2011	4-37
SCR inducement strategy - 2012.....	4-41
Mechanical front drive (MFD).....	4-44
Differential lock system	4-48
Suspended axle	4-51
Ride control.....	4-59
Constant engine speed	4-61
Headland management system	4-63

5 TRANSPORT OPERATIONS

ROAD TRANSPORT

Tractor warning lamps.....	5-1
Tractor warning lamps.....	5-2
Safe transport speed	5-3

SHIPPING TRANSPORT

Securing the tractor for shipping	5-4
---	-----

RECOVERY TRANSPORT

Safety rules	5-5
Towing the tractor	5-6

6 WORKING OPERATIONS

GENERAL INFORMATION

Product overview	6-1
------------------------	-----

REAR PTO

Safety rules	6-2
Connecting the PTO	6-6
Interchangeable PTO shaft	6-7
Reversible PTO shaft	6-13
Rear PTO operation	6-15
PTO fender switch operation	6-19
Auto PTO operation	6-20

FRONT PTO

Overview	6-23
Front PTO operation	6-24

REAR HITCH

Identification	6-27
Link adjustment	6-28
Hitch high clearance adjustment	6-32
Hydraulic links	6-35
Sway limiter adjustment	6-37
Lower link block adjustment	6-38
Mechanical float adjustment	6-40
Hitch operation	6-41
Hitch remote switch operation	6-46
Position control operation	6-48
Load control operation	6-50
Slip control operation	6-52
Hitch set point	6-54

FRONT HITCH

Overview	6-56
Front hitch operation	6-56

DRAWBARS AND TOWING ATTACHMENTS

Rear towing - Safety rules	6-64
Drawbar capacity/position	6-65
Adjusting the drawbar	6-67

TRAILER HITCHES

Clevis and special drawbars	6-69
Automatic trailer hitch	6-71
Auto pickup hitch operation	6-74
Manual trailer hitch	6-76

AUXILIARY POWER CONNECTIONS

Auxiliary power and lighting	6-78
Auxiliary power and lighting	6-80
Auxiliary power and lighting	6-81
Cab power connections	6-82

HYDRAULIC REMOTE CONTROL VALVES

Valve couplers and connections	6-84
Motor return circuit	6-87
Power beyond circuit	6-88
Flow capacity	6-88
Hydraulic transport lock	6-90
Operating the controls	6-91
Remote valve display screens	6-95
Remote hydraulic auto mode	6-99
Auto depth control	6-101
Joystick operation	6-103

BALLASTING THE TRACTOR

Guidelines	6-107
Tire load and inflation charts	6-111
Weights, cast metal and liquid	6-112
Wheel slip and power hop performance	6-123

MECHANICAL FRONT DRIVE (MFD) AXLES

Tire combinations and tread positions	6-126
Steering and oscillation stops	6-131
Tread and fender settings - standard MFD axles	6-134
Tread and fender settings - heavy duty MFD axles	6-135
Tread and fender settings - heavy duty class 5 MFD axles	6-136
Tread and fender settings - heavy duty class 5 suspended MFD axles	6-137
Tread and fender settings - scissors suspension MFD axles	6-138

REAR AXLE

Rear wheel installation	6-139
Rear wheel tread settings	6-141

7 MAINTENANCE

GENERAL INFORMATION

Safety rules	7-1
Opening the hood	7-2
Closing the hood	7-4
Filling the fuel tank	7-5
Filling the DEF/AdBlue® tank	7-6
Battery disconnect switch	7-7
Battery access and service	7-8
Tire and rim service	7-10
Tractor jacking points	7-12
Capacities	7-14
Consumables - Engine oil	7-16
Consumables - Diesel fuel	7-18
Consumables - Biodiesel fuels	7-19
Consumables - Diesel exhaust fluid (DEF)/AdBlue®	7-21
Consumables - Coolant solutions	7-23
Electrical component location	7-24
Lamps and bulbs	7-29
Maintenance chart notes	7-30

MAINTENANCE CHART

Maintenance Chart	7-31
-------------------------	------

At warning message display

Air filter service icon/message	7-33
Fuel filter water separator	7-34
Transmission oil filter switch	7-35
Hydraulic oil filter switch	7-38

First 10 to 50 hours

Differential and planetary oil	7-41
Wheel bolt torque	7-41
Weight bolt torque	7-41

Every 10 hours or daily

Engine oil level	7-42
Transmission oil level	7-43
Engine coolant level	7-44
Engine auxiliary fuel filter	7-45
Air reservoir	7-46
Rear hitch and front axle	7-47

Every 50 hours or weekly

Engine fuel pre-filter	7-48
------------------------------	------

Every 100 hours

Front hitch	7-49
-------------------	------

Thank you so much for reading.
Please click the “Buy Now!”
button below to download the
complete manual.



After you pay.

You can download the most
perfect and complete manual in
the world immediately.

Our support email:

ebooklibonline@outlook.com