

**Steiger<sup>®</sup> 400**

**Steiger<sup>®</sup> 450**

**Steiger<sup>®</sup> 500**

**Steiger<sup>®</sup> 550**

**Steiger<sup>®</sup> 600**

**Quadtrac<sup>®</sup> 450**

**Quadtrac<sup>®</sup> 500**

**Quadtrac<sup>®</sup> 550**

**Quadtrac<sup>®</sup> 600**

**Tier 2**

**Tractor**

*from PIN ZCF100001 and above*

# OPERATOR'S MANUAL

**Part number 84594660**

2nd edition English

February 2012

*Replaces part number 84532675*



# Contents

---

## 1 GENERAL INFORMATION

Read the Operators Manual .....	1-1
Electro-Magnetic Compatibility (EMC) .....	1-2
CNH America LLC technical manuals .....	1-3
Your tractor .....	1-4
Note to the Owner .....	1-5
Tractor intended use .....	1-6
Manual storage .....	1-7
Product identification .....	1-8
Machine orientation .....	1-12
Component location .....	1-14

## 2 SAFETY INFORMATION

Safety rules .....	2-1
Safety rules - General .....	2-2
Safety rules - Mounting and dismounting .....	2-3
Safety rules - Implements, tools and trailers .....	2-3
Safety rules - Instructional seat .....	2-4
Safety rules - Wheels and tires .....	2-4
Safety rules - Fire prevention .....	2-5
Safety rules - Fire extinguisher .....	2-5
Safety rules - PTO operation .....	2-6
Safety rules - General maintenance .....	2-7
Safety rules - Battery .....	2-8
Safety rules - Basic operating .....	2-9
Safety rules - Hazardous chemicals .....	2-10
Safety rules - Air conditioning system .....	2-10
Safety rules - Operator presence system .....	2-10
Safety rules - Roll over and tip over .....	2-11
Safety rules - Electrical storm safety .....	2-11
Safety rules - Driving on public roads .....	2-12
Safety rules - Utility power lines .....	2-13
Safety rules - Hydraulic system safety .....	2-14
FRAME - Foreword - Ecology and the environment .....	2-15
Noise level .....	2-16
Vehicle vibration levels .....	2-17
ROPS and FOPS .....	2-18
Hazardous substances .....	2-19
Emergency exit .....	2-20
Safety signs .....	2-21
Articulation cylinder locking blocks .....	2-30
Wheel chocks (Germany only) .....	2-31

## 3 CONTROLS/INSTRUMENTS

### ACCESS TO OPERATOR'S PLATFORM

Tractor access .....	3-1
----------------------	-----

---

## OPERATOR'S SEAT

Overview .....	3-3
Control identification .....	3-4

## INSTRUCTOR'S SEAT

Overview .....	3-7
----------------	-----

## FORWARD CONTROLS

Steering column .....	3-9
Steering column .....	3-12
Front console .....	3-15
Pedal controls .....	3-16
Ventilation .....	3-18
Front sun shade .....	3-18

## RIGHT-HAND SIDE CONTROLS

Armrest console .....	3-19
Multi Function Handle .....	3-20
Control panel .....	3-23
Remote valve controls .....	3-30
Joystick .....	3-31
Armrest compartment .....	3-32
Adjusting the armrest console .....	3-34

## REARWARD CONTROLS

Rear sun shade .....	3-35
----------------------	------

## OVERHEAD CONTROLS

Overview .....	3-36
Automatic temperature controls .....	3-38
Automatic temperature control system .....	3-42
Center panel controls .....	3-44
Radio (if equipped) .....	3-48
Interior and access lights .....	3-49

## EXTERIOR CONTROLS

Exterior hitch control .....	3-51
------------------------------	------

## INSTRUMENT CLUSTER

Overview .....	3-52
Gauges .....	3-52
Status and warning icons .....	3-53
Upper display .....	3-56
Lower display .....	3-57
Keypad .....	3-59
Instrumentation - setup menu .....	3-61
Instrumentation - adjust menu .....	3-68

---

Performance instrumentation .....	3-75
-----------------------------------	------

## 4 OPERATING INSTRUCTIONS

### COMMISSIONING THE UNIT

Before starting the engine .....	4-1
----------------------------------	-----

### STARTING THE UNIT

Normal engine starting .....	4-5
Cold temperature operation .....	4-7

### STOPPING THE UNIT

Stopping the engine .....	4-9
---------------------------	-----

### MOVING THE UNIT

Powershift transmission .....	4-11
Automatic productivity management (APM) .....	4-19
Differential lock system .....	4-28
Constant engine speed .....	4-29
Electronic end of row system .....	4-32
Engine compression brake (if equipped) .....	4-42

## 5 TRANSPORT OPERATIONS

### ROAD TRANSPORT

Tractor warning lamps .....	5-1
Operating the tractor warning lamps .....	5-2
Safe transport speed .....	5-3
Implement warning lamps .....	5-4
Safety chain .....	5-5

### SHIPPING TRANSPORT

Securing the tractor for shipping .....	5-6
---	-----

### RECOVERY TRANSPORT

Safety rules .....	5-7
Towing the tractor .....	5-8

## 6 WORKING OPERATIONS

### GENERAL INFORMATION

Product overview .....	6-1
------------------------	-----

### REAR PTO

---

Safety rules .....	6-2
Connecting the PTO .....	6-4
PTO operation .....	6-5

## THREE POINT HITCH

Identification .....	6-7
Link adjustment .....	6-8
Sway block adjustment .....	6-11
Mechanical float adjustment .....	6-12
Hitch quick coupler - Category IVN .....	6-13
Transport lock .....	6-17
Hitch operation .....	6-18
Rear remote hitch switch .....	6-22
Position control operation .....	6-23
Slip control operation .....	6-26

## DRAWBARS AND TOWING ATTACHMENTS

Safety rules .....	6-28
Rear towing - Capacities .....	6-28
Scraper operation .....	6-34

## TRAILER BRAKE COUPLER

Safety rules .....	6-35
Trailer brake connections .....	6-35

## AUXILIARY POWER CONNECTIONS

External power and lighting connections .....	6-36
Cab power connections .....	6-38

## HYDRAULIC REMOTE CONTROL VALVES

Valve couplers and connections .....	6-41
Optional circuits .....	6-48
Hydraulic remote valve transport lock .....	6-49
Operating the controls .....	6-50
Remote valve display screens .....	6-55
Joystick operation .....	6-58
Auto auxiliary mode operation .....	6-63
Auto depth control operation .....	6-66

## BALLASTING THE TRACTOR

Guidelines .....	6-69
Weights, cast metal and liquid Front Ballast .....	6-73
Wheel slip and power hop .....	6-79

## FRONT AND REAR AXLE

Tire safety .....	6-80
-------------------	------

---

Pressure and load ratings .....	6-81
Wheel installation.....	6-88
Wheel tread settings on flange axles.....	6-96
Wheel tread settings on bar axles.....	6-97
Track preconditioning.....	6-108

## 7 MAINTENANCE

### GENERAL INFORMATION

Safety rules.....	7-1
Engine hood .....	7-2
Removing the engine side shields.....	7-3
Opening the right-hand service door .....	7-4
Power cut-off switch .....	7-5
Filling the fuel tank .....	7-6
Fuel tank capacity .....	7-7
Tire and rim service.....	7-8
Tractor jacking points.....	7-10
Capacities .....	7-12
Consumables - Engine oil .....	7-13
Consumables - Diesel fuel .....	7-15
Consumables - Biodiesel fuels .....	7-16
Consumables - Coolant solutions .....	7-18
Electrical specifications and service.....	7-19
Fuse and relay locations .....	7-21
Maintenance chart notes .....	7-29

### MAINTENANCE CHART

Maintenance Chart .....	7-30
-------------------------	------

### AT WARNING MESSAGE DISPLAY

Air cleaner .....	7-32
Primary fuel filter .....	7-33

### EVERY 10 HOURS OR EACH DAY

Engine oil level .....	7-34
Wheel bolt torque.....	7-34
Wheel weight bolt torque .....	7-34
Transmission oil level.....	7-35
Hydraulic/axle oil level.....	7-36
Engine coolant level .....	7-37
Fuel level .....	7-38
General tractor inspection (see Note 1) .....	7-39

### EVERY 50 HOURS

Fuel tank and fuel filter .....	7-40
Articulation hinge - upper front .....	7-42
Oscillation hinge - rear .....	7-42

---

Articulation hinge - lower .....	7-42
Articulation cylinder - front, left-hand, right-hand .....	7-43
Articulation cylinder - rear, left-hand and right-hand .....	7-43
Hitch cylinder pin - upper, left-hand and right-hand .....	7-44
Hitch cylinder pin - lower, left-hand and right-hand .....	7-44
Hitch rockshaft - left-hand and right-hand .....	7-45
Hitch lift links and top link .....	7-45

## EVERY 250 HOURS

Cab air filter, outside (see Note 2) .....	7-46
Cab recirculation filter .....	7-47
Windshield washer fluid level .....	7-48
Driveshaft carrier bearing .....	7-48

## EVERY 500 HOURS

Air tubing - engine .....	7-49
Alternator - water pump belt .....	7-49
Battery electrolyte level .....	7-50
PTO carrier bearing .....	7-51
PTO slip joint .....	7-52
Radiator and coolers .....	7-54

## EVERY 600 HOURS

Engine oil and filter (see note 5) .....	7-56
Engine fuel filter (see note 6) .....	7-59
Engine fuel pre-filter .....	7-63
Fuel tank vent (see note 8) .....	7-68

## EVERY 1200 HOURS

Engine crankcase breather filter .....	7-69
--	------

## EVERY 1500 HOURS

Engine air tubing .....	7-71
Engine air filters (see Note 3) .....	7-72
Hydraulic oil and filters (see note 6) .....	7-78
Hydraulic reservoir breather .....	7-80
Transmission oil and filter (see note 6) .....	7-81
Transmission vent .....	7-82
Idler/roller wheel oil (see Note 7) .....	7-83
Cab air filter, outside (see Note 2) .....	7-84
Door lock and hinges (see Note 4) .....	7-85

## EVERY 2000 HOURS OR 2 YEARS

Engine coolant drain and flush .....	7-86
--------------------------------------	------

## AS REQUIRED

---

Vehicle fire prevention .....	7-89
Pressure cooling system hoses .....	7-90
Hydraulic system hoses .....	7-90
Tire pressure .....	7-90
Engine fan belt .....	7-90
Viscous fan drive .....	7-91
Track inspection and bolt torque .....	7-92
Track tension release.....	7-94
Track belt alignment.....	7-96
Cab fabric and carpet.....	7-98
Seat belt .....	7-98

## STORAGE

Placing in storage .....	7-99
Removing from storage.....	7-100

## ELECTRICAL SYSTEM

Battery removal and installation .....	7-101
Auxiliary battery connections .....	7-102
Flood and work lamp replacement .....	7-104
Rotating beacon lamp replacement .....	7-109
Interior lights lamp replacement .....	7-110
Road lamps.....	7-113
Front amber turn and position lamps .....	7-115
Marker/position lamp .....	7-117
Rear amber turn/tail/stop lamps .....	7-118
License plate lamp .....	7-119

## 8 TROUBLESHOOTING

### FAULT CODE RESOLUTION

Fault code retrieval .....	8-1
----------------------------	-----

### ALARM(S)

Display warnings .....	8-4
------------------------	-----

## 9 SPECIFICATIONS

Engine specifications .....	9-1
Power train and hydraulics .....	9-3
Speed charts .....	9-6
Vehicle dimensions and shipping weight .....	9-8
Maximum tractor operating weights .....	9-12

## 10 ACCESSORIES

Farming system Monitor - Install .....	10-1
--	------

---



Chemical tank mounting ..... 10-2  
General accessories..... 10-5



# 1 - GENERAL INFORMATION

## Read the Operators Manual



Improper operation of this vehicle can cause death or serious injury. Before using the vehicle, make certain that every operator:

- Is instructed in safe and proper use of the machine.
- Reads and understands the manual(s) pertaining to the machine.
- Reads and understands all safety decals on the machine.

- Clears the area of other persons.
- Learns and practices safe use of machine controls in a safe, clear area before operating this machine on a job site.

It is your responsibility to observe pertinent laws and regulations and follow CNH America LLC instructions on machine operation and maintenance.

## Electro-Magnetic Compatibility (EMC)

This machine complies strictly with the European Regulations on electro-magnetic emissions. However, interference may arise as a result of add-on equipment which may not necessarily meet the required standards. As such interference can result in serious malfunction of the unit and/or create unsafe situations, you must observe the following:

- Ensure that each piece of non- CASE IH AGRICULTURE equipment fitted to the machine bears the CE mark.
- The maximum power of emission equipment (radio, telephones, etc.) must not exceed the limits imposed by the national authorities of the country where you use the machine.
- The electro-magnetic field generated by the add-on system should not exceed 24 V/m at any time and at any location in the proximity of electronic components.

Failure to comply with these rules will render the CASE IH AGRICULTURE warranty null and void.

## CNH America LLC technical manuals

Manuals are available from your dealer for your machine. Your dealer can expedite your order for operator manuals and parts catalogs.

Always give the machine name, model and P.I.N. (product identification number) of your machine so your dealer can provide the correct manuals for your machine.

The company is continually striving to improve its products and therefore reserves the right to make improvements and changes when it becomes practical and possible to do so, without incurring any obligation to make changes or additions to the equipment sold previously.

### Manual scope and required training level

This manual provides information on the intended use of your tractor under the conditions foreseen by the manufacturer during normal operation, routine service and maintenance and periodic service and maintenance.

Normal operation is use of the tractor for the purpose intended by the manufacturer by an owner/operator who is familiar with the tractor and the mounted or towed equipment, and who is complying with the information on operation and safe practices, provided in this manual and by the decals on the tractor and the equipment.

Normal operation includes such actions as preparing the tractor for storage and removing the tractor from storage, adding or removing ballast, connecting and disconnecting mounted or towed equipment, raising and lowering components into or out of work position, adjusting tractor settings for specific field or crop settings, etc.

Routine service and maintenance are those actions which must be performed daily to maintain proper tractor function by an owner/operator who is familiar with tractor characteristics, and who is complying with the information on routine service and safe practices in this manual and in the decals on the tractor.

Routine service and maintenance includes such actions as fueling, cleaning, washing, topping off fluid levels, greasing, and replacing consumable articles such as lamp bulbs.

Periodic service and maintenance are those actions which must be performed at regularly defined intervals

All data given in this manual is subject to production variations.

**NOTICE:** *Operating and service messages displayed on the electronic operating panel may vary from what is shown in the manual. If this occurs, heed the latest instructions on the electronic operating panel.*

Dimensions and weights are approximate only and the illustrations do not necessarily show the machine in standard condition. For exact information about any particular machine, please consult your dealer.

to maintain proper tractor function by an owner/operator who is familiar with tractor characteristics, and who is complying with the information on periodic service and safe practices in this manual and in the decals on the tractor.

Periodic service and maintenance includes such actions as checking, cleaning and changing air filters, changing engine oil and filters, changing transmission oil and filters, changing front axle and wheel hub fluids, changing coolant, etc.

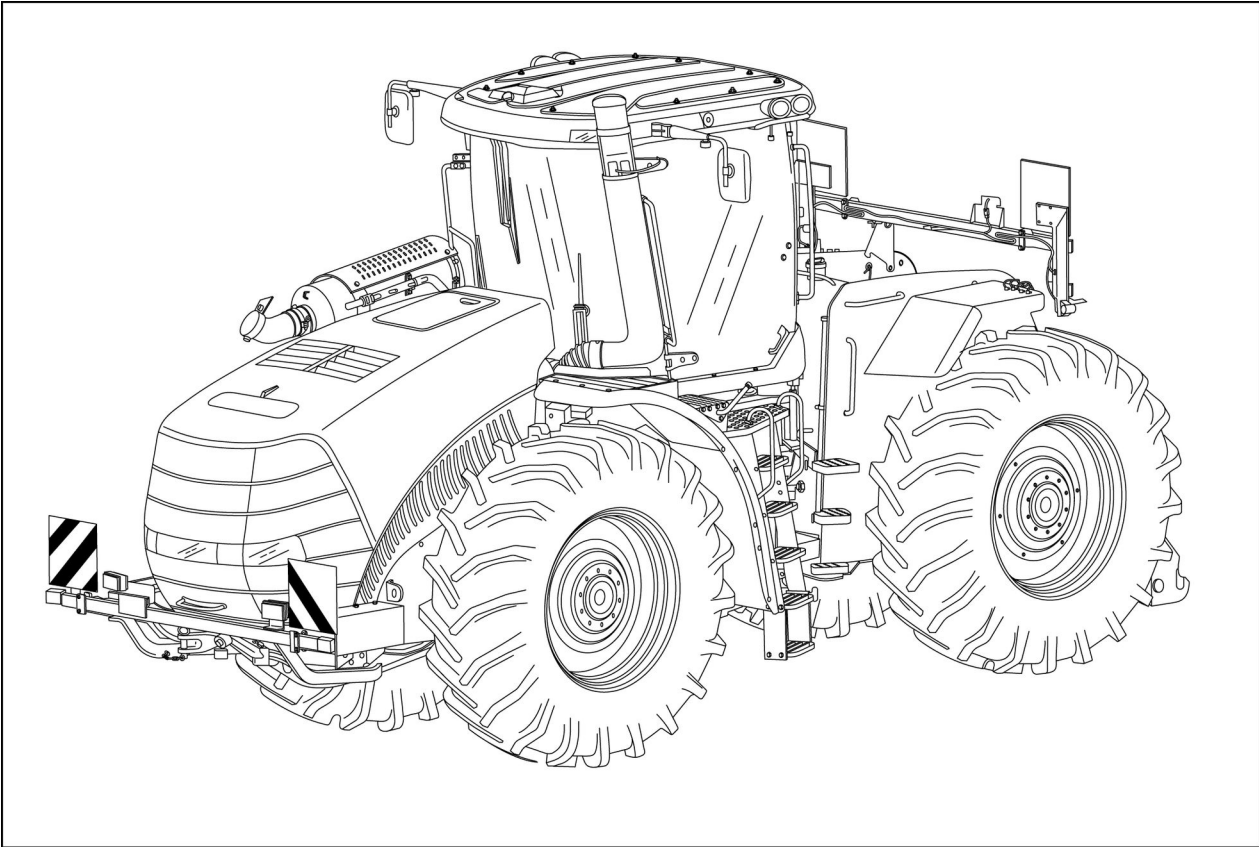
Some actions in the periodic service and maintenance chart are beyond the knowledge and skills of the owner/operator: for example, engine valve adjustment, fuel injector nozzles. For these actions, the manual instructs the owner/operator to have the action performed by their authorized dealer.

This manual does not contain all the information related to periodical service and maintenance, converting and repairs to be carried out by professional service personnel. These actions require special facilities, technical skills, and/or tools which are not supplied with the machine.

Converting is changing the tractor configuration for a specific crop or soil condition and requires rebuilding or adding components to the vehicle: for example, installation of dual wheels. Repairing is the disassembly and assembly of the tractor to restore proper operation after a component failure or degradation of performance.

## Your tractor

This manual covers tractors with EC CoC certification covered by directive 2009/64/EC and tractors without CoC certification covered by directive 2004/108/EC. Refer to your Certificate of Conformity supplied with your tractor for proper identification.



RCPH11FWD323FAM 1

The customer is required to ensure suitable jobsite organization in respect of acceptable visibility and operation of this tractor.



CNH America LLC  
Racine, WI  
U.S.A.

Dealer stamp



Thank you so much for reading.  
Please click the “Buy Now!”  
button below to download the  
complete manual.



After you pay.

You can download the most  
perfect and complete manual in  
the world immediately.

Our support email:

[ebooklibonline@outlook.com](mailto:ebooklibonline@outlook.com)