

Features

5640

6640

7740

7840

# PRODUCT MANUAL



# MODELS 5640, 6640, 7740, 7840

---

## POWERSTAR TRACTORS

### “S” SERIES



A1202-8

### FEATURE INDEX

Brakes	4-9	PTO	4-10, 11
Clutch	4-6	Rear Axle	4-8
Controls	4-20	ROPS	4-19
Drawbar	4-11	Seat	4-19
Engines	4-4	Specifications	4-32 to 35
Hydraulics	4-13 to 17	Three-Point Hitch	4-16
Options & Accessories	4-28 to 31	Transmissions	4-6, 7

# 5640S, 6640S, 7740S, 7840S

---

## MID-RANGE WORKHORSES



- Rugged, durable, 66, 76, 86 and 90 PTO horsepower models, ideal as:
  - Field tractors for medium-sized farms.
  - Chore tractors for larger, diversified farms.
  - Maneuverable, powerful, utility tractors for roadside mowing and grounds maintenance.
- Large-displacement, four and-six cylinder diesel engines feature parent-metal bores, cross-flow heads. (The Model 7740 engine is turbocharged.)
- All four models are available with choice of:
  - Base 8X2 transmission
  - Optional 16X4 DualPower™ transmission
  - Optional creeper gearset for both the 8X2 and 16X4 transmissions
- Independent, 540 RPM PTO (540/1,000 RPM standard on Model 7740 and 7840; available on Model 6640 with 16X4, DualPower™ transmission)
- Low-effort, positive, hydrostatic power steering provides excellent control with minimum effort.
- Available with two-wheel drive, or with front-wheel drive
- Hefty weight for ruggedness and good traction. The weights with 2WD are:
  - Models 5640 and 6640 - 7274 lbs.
  - Model 7740 - 7339 lbs.
  - Model 7840 - 8076 lbs.
- Large selection of available implements, including:
  - Rakes
  - Mowers
  - Loaders
  - Automatic Bale Wagons
  - And more . . . . .
  - Round and Square Balers
  - Forage Harvesters
  - Spreaders
  - Mower-Conditioners

ATTENTION: Some photos in this manual show protective shielding removed to illustrate features more clearly. Be certain, however, to keep all shields in place when machine is in operation.

# 'S' SERIES

## STANDARD EQUIPMENT & FEATURES 5640S, 6640S, 7740S, 7840S

The "S" series designation identifies the tractor as being equipped with either an 8X2 constant-mesh or 8X4 DualPower™ transmission. These models are available in ROPS versions only. There are several other combinations of equipment available as standard depending upon the particular package ordered.

### SEAT MOUNT DECK

#### IESEL ENGINE- 5640

66 PTO HP @ 2200 RPM  
268 Cu. In. Displacement  
4 Cylinders  
Vertical Exhaust  
Fixed Fan  
Thermostart

#### IESEL ENGINE- 6640

76 PTO HP @ 2200 RPM  
304 Cu. In. Displacement  
4 Cylinders  
Vertical Exhaust  
Fixed Fan  
Thermostart

#### IESEL ENGINE- 7740

86 PTO HP @ 2100 RPM  
304 Cu. In. Displacement  
4-Cylinder Turbo  
Vertical Below Hood Exhaust  
Thermostart & Viscous Fan

#### IESEL ENGINE- 7840

90 PTO HP @ 2100  
401 Cu. In. Displacement  
6 Cylinders  
Vertical Below Hood Exhaust  
Thermostart and Viscous Fan

#### IESEL ENGINE- ALL

Dry Air Cleaner  
Full-flow Vertical Oil Filter  
25 Gallon Fuel Tank (30 Gal. on 7840)  
Single Fuel Filter  
Cooling System with Antifreeze & SCA Additive  
5 Inch Starter  
Key Fuel Shut-Off

### INSTRUMENTATION

Mechanical Instrument Cluster  
Tachometer/Hourmeter  
Fuel Gauge  
Coolant Temperature Gauge  
Back-lit Instrument Illumination  
Warning Lights:  
Engine Oil Pressure  
Battery  
Parking Brake  
Hydraulic Oil Filter  
Hydraulic Oil Pressure  
Air Cleaner Restriction  
Cold Start

### INSTRUMENTATION (Contd.)

Warning Lights: (Contd.)  
Differential Lock  
Headlight High Beam  
Turn Signal Indicator Lights

### TRANSMISSION/PTO

8 x 2 Constant Mesh with 540 IPTO (540/1000 on 7740 & 7840)  
Mechanical PTO Engagement

### HYDRAULIC SYSTEM

Live Hydraulics w/Position Control, Top Link  
Draft Control, Automatic Flow Control, Auxiliary Services  
Control Valve  
Single Spool Closed Center Remote Valve  
w/Two Quick-Release Couplers, Cat. II 3-pt.  
Linkage/Flex Link Ends, Two Pump Hydraulic System,  
18.2 gpm (17.4 on 7740 and 7840)

### FLAT TOP FENDERS

### ELECTRICAL

Wet Battery, 800 CCA  
55 amp Alternator  
Key Ignition  
Safety Start Switch

### LIGHTING

Two Dual Beam Halogen Headlights  
RH Halogen Rear Worklight  
One Taillight  
Two Flashing Safety Lights  
Turn Signals-Fender Mounted

### HYDROSTATIC POWER STEERING

### ROPS/SEAT

Roll Bar w/Seat Belt  
Deluxe Seat

### ADJUSTABLE AXLE-2WD

56" TO 84

### REAR WHEELS

Manually Adjustable-56" to 80"

### SWINGING DRAWBAR

### TELESCOPIC LINKAGE STABILIZERS

### FOOT THROTTLE

### SMV EMBLEM

### PTO GUARD

### BRAKES

Mechanical Actuated Wet Disc  
Parking Brake Latch

### DIFFERENTIAL LOCK

Mechanical

### TIRES

Front: 7.50 x 16, 6 Ply, F2 (5640, 6640, 7740)  
Front: 10.00 x 16, 8 Ply, F2 (7840)  
Rear: 16.9 x 30, 6 Ply, R1 (5640, 6640)  
Rear: 18.4 x 30, 6 Ply, R1 (7740)  
Rear: 18.4 x 34, 6 Ply, R1 (7840)

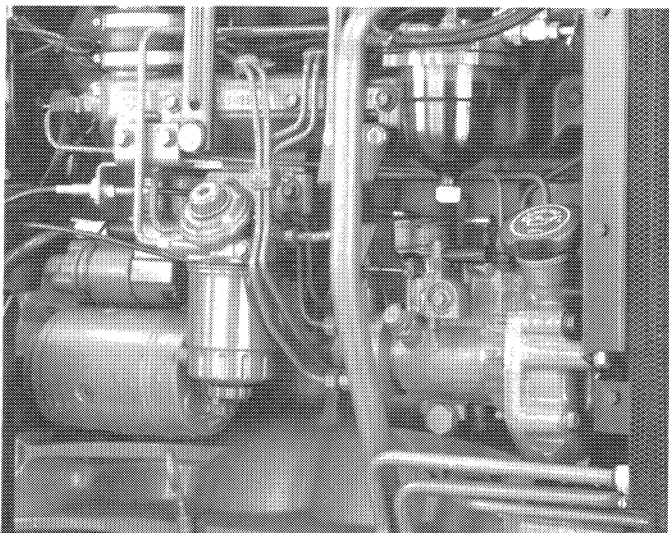
### WARRANTY

Standard-12 mos./unlimited hrs.  
Limited Powertrain-24 mos./2000 hrs.  
Optional Extended-5 yr./5000 hrs.

# EFFICIENT, GENESIS™ ENGINES

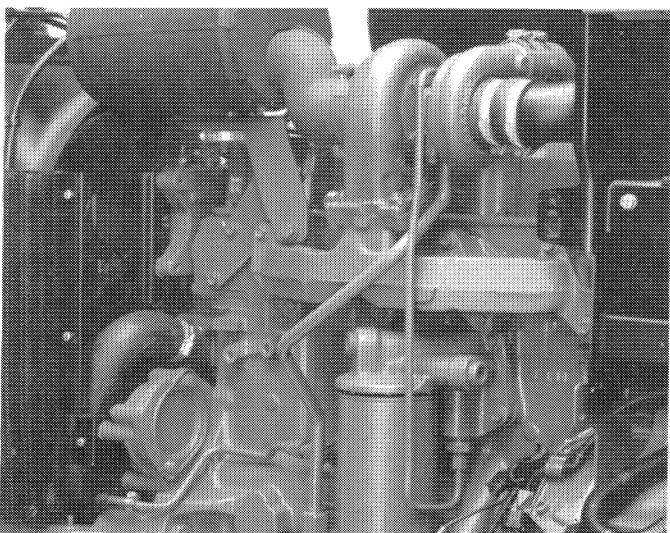
## PROVIDE HEAVY-DUTY PULLING POWER

Power for the Models 5640, 6640 and 7740 is provided by a family of rugged, 4-cylinder, Ford diesel engines. These Ford engines have large displacement for given horsepower, which means long life, and the ability to handle heavy loads with minimal stress. **THE 268 CUBIC-INCH ENGINE OF THE MODEL 5640 PRODUCES 66 PTO HORSEPOWER and THE 304 CUBIC-INCH ENGINE OF THE MODEL 6640 PRODUCES 76 PTO HORSEPOWER.**



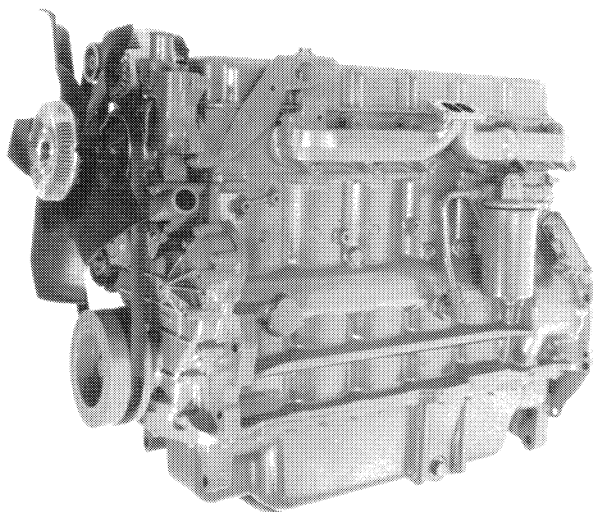
A1310-8

**THE 304 CUBIC-INCH, TURBOCHARGED ENGINE OF THE MODEL 7740 PRODUCES 86 PTO HORSEPOWER.**



A1311-10

The 7840 is powered by a naturally-aspirated, six-cylinder engine with 401 cubic inch displacement. This 90 PTO horsepower tractor offers customers a choice between the four-cylinder turboed 7740 at 86 horsepower, or a slightly more powerful, naturally-aspirated six-cylinder model.



9212

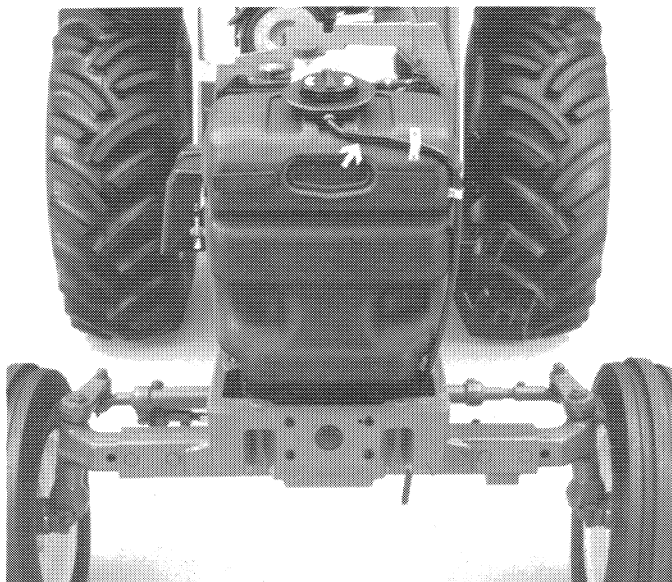
Ford pioneered the use of parent-metal bore diesel engines in tractors, and these engines have proven themselves on thousands of farms worldwide. **THE POWERSTAR TRACTORS HAVE TAKEN THE PROVEN TECHNOLOGIES OF PARENT-METAL BORE CYLINDER BLOCKS, CROSS-FLOW CYLINDER HEADS, AND PRECISION FUEL SYSTEMS AND ENHANCED THEM TO PROVIDE:**

- **EVEN LONGER LIFE**
- **SUPERIOR FUEL ECONOMY**
- **INCREASED TORQUE RISE**

These features will allow your customers to do more work with lower operating costs, adding more dollars to the bottom line.

For additional feature/benefit information on PowerStar engines, see Section 7, which gives complete coverage from crankshafts to cooling systems.

**LARGE-CAPACITY, FRONT-MOUNTED FUEL TANKS HOLDS 25 GALLONS OF FUEL** (30 on the 7840)- plenty to keep refueling to a minimum for better productivity. The fuel cap is located on the front hood to allow filling from the ground with large nozzles. The cap is also tethered to keep it from being misplaced. The large filler neck has an internal nozzle support; and, is surrounded by a rubber boot to catch drips and prevent spillage on the hood.



A1325-7



A1308-5

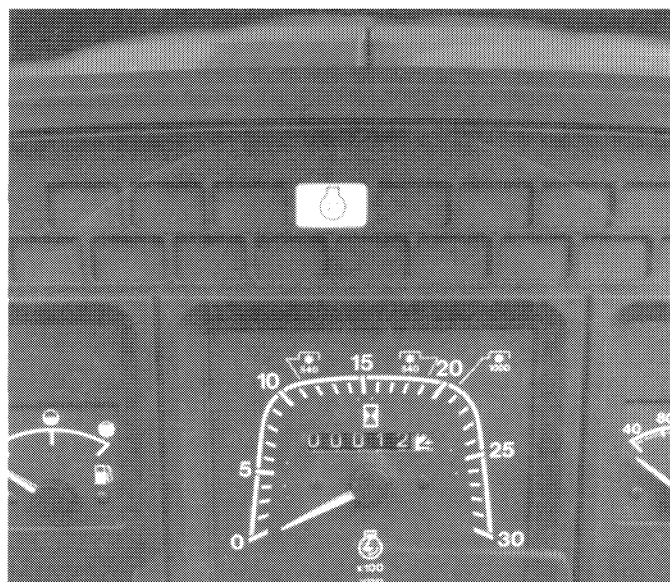
**SPILLS CAUGHT BY THE BOOT DRAINS THRU A RUBBER HOSE** (arrow) to keep the front of the tractor clean. The polyethylene tank is molded to take full advantage of all of the space available, maximizing fuel capacity.

**COLD STARTING CAPABILITIES OF THE POWERSTAR TRACTORS ARE EXCELLENT DUE TO:**

- **HIGH COMPRESSION RATIO.**
- **HEAVY-DUTY STARTER W/HIGH CAPACITY BATTERY.**
- **AUTOMATIC EXCESS FUEL SYSTEM.**
- **AUTOMATIC TIMING RETARD.**
- **THERMOSTART**

These engines will start quickly at 0 degrees F. without any additional aid. Standard thermostart provides starting assistance in temperatures below 0 degrees F. and can be used to make above zero starts even quicker and easier. The thermostart is activated by turning the key counter-clockwise and releasing it. **A LIGHT ON THE DASH INDICATES THAT THE THERMOSTART HAS BEEN ACTIVATED AND WHEN IT GOES OUT, THE TRACTOR IS READY TO BE STARTED.**

When the thermostart is activated, a heating element glows for about 15 seconds inside the intake manifold, then fuel is admitted. The resulting flame warms the intake air for easy cold-weather starts.



A1347-7

Thank you so much for reading.  
Please click the “Buy Now!”  
button below to download the  
complete manual.



After you pay.

You can download the most  
perfect and complete manual in  
the world immediately.

Our support email:

[ebooklibonline@outlook.com](mailto:ebooklibonline@outlook.com)