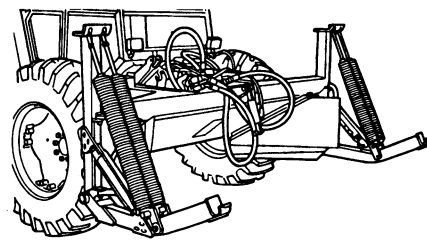


NEW HOLLAND 2300BF

For use on TV140, 9030, 9030E
with PTO pump

86574145 8/98

OPERATOR'S MANUAL



NEW HOLLAND

TO THE OWNER:

This manual contains information concerning the operation, adjustment, and maintenance of your Model 2300 BF frame. You have purchased a dependable machine, but only by proper care and operation can you expect to receive the performance and long service built into this machine. Please have all operators read this manual carefully and keep it available for ready reference.

This machine was designed to be powered and propelled by a Model 9030 Bidirectional™ tractor. It is intended to mow and windrow forage crops including, but not limited to, alfalfa and mixed hay/grasses on cultivated land.

Your New Holland dealer will instruct you in the general operation of your header. (Refer to the “Delivery Report” at the back of this manual.) Your dealer’s staff of factory-trained service technicians will be glad to answer any questions that may arise regarding the operation of your header.

Your New Holland dealer carries a complete line of genuine New Holland service parts. These parts are manufactured and carefully inspected in the same factories that built the adapter frame header and conditioner, to insure high quality and accurate fitting of any necessary replacement parts.



CAUTION: THIS SYMBOL IS USED THROUGHOUT THIS BOOK WHENEVER PERSONAL SAFETY IS INVOLVED. TAKE TIME TO READ AND FOLLOW THE INSTRUCTIONS. BE CAREFUL!

CAUTION: PICTURES IN THIS MANUAL MAY SHOW PROTECTIVE SHIELDING OPEN OR REMOVED TO BETTER ILLUSTRATE A PARTICULAR FEATURE OR ADJUSTMENT.

BE CERTAIN, HOWEVER, TO CLOSE OR REPLACE ALL SHIELDING BEFORE OPERATING THE MACHINE.

IMPROVEMENTS

New Holland North America, Inc. is continually striving to improve its products. We reserve the right to make improvements or changes when it becomes practical and possible to do so, without incurring any obligation to make changes or additions to the equipment sold previously.



NEWHOLLAND WARRANTY AND LIMITATION OF LIABILITY - AGRICULTURAL PRODUCTS

COVERAGE PROVIDED

New Holland North America, Inc. or New Holland Canada, Ltd., hereinafter called "Company" warrants to the retail purchaser of each new Product (as listed below) that the Selling Dealer will repair or replace any part thereof found to be defective in materials or workmanship within the following periods. This warranty is for the benefit of the original or subsequent purchaser.

BASIC WARRANTY

Product	Warranty Period (whichever comes first)
-Harvesting, Materials Handling Equipment and Implements	12 Months
Extended New Holland Engine Warranty for Harvesting Products*	An Additional 12 Months or 2000 Hours
-Compact Tractors, Model 1530, 1630, 1725, 1925, and TC Models	24 Months or 1500 Hours
Extended Power Train Warranty**	An Additional 12 Months or 1500 Hours
-Agricultural Tractors (except as noted), Including BiDirectional	12 Months
Extended Power Train Warranty**	An Additional 12 Months or 2000 Hours
-Tractors, 70 Series	36 Months or 3000 Hours
-Tractors, 80/82 Series	24 Months or 2000 Hours
-Auger Headers	12 Months
-Replacement Parts	90 days or to end of Basic Warranty (whichever is longer)

ENGINE - All internal lubricated parts, cylinder block, cylinder head, oil pan, oil pump, seals & gaskets, head gasket, fuel injection pump and lines, turbocharger unit (factory installed), timing gear cover, timing gears, and valve cover

TRANSMISSION - Transmission case and all internal lubricated parts, torque converter, auxiliary drive axle transfer case, seals and gaskets.

MAIN DRIVE AXLE(S) - Center & drive axle housing and all internal lubricated parts, axle shafts, bearings (wheel and axle hub), final drive housing and all internal lubricated parts, auxiliary drive axle transfer case, PTO-clutch, internal shafts and bearings, seals and gaskets.

AUXILIARY DRIVE AXLE - Axle housing and all internal lubricated parts, axle shafts, bearings (wheel and axle hub), final drive housing and all internal lubricated parts, seals and gaskets, drive shaft and universal joints.

LIMITATIONS, INCLUDING DISCLAIMER OF IMPLIED WARRANTIES AND CONSEQUENTIAL DAMAGES

This warranty gives you specific legal rights and you may also have other rights which vary, depending on state or provincial laws.

New Holland North America, Inc. or New Holland Canada, Ltd. does not authorize any person or dealer to create for it any other obligation or liability in connection with these products. TO THE EXTENT ALLOWED BY LAW, ANY IMPLIED WARRANTY OF MERCHANTABILITY OR FITNESS APPLICABLE TO THIS PRODUCT IS LIMITED TO THE STATED DURATION OF THIS WRITTEN WARRANTY. NEITHER COMPANY NOR THE SELLING DEALER SHALL BE LIABLE FOR LOSS OF THE USE OF THE PRODUCT, LOSS OF TIME, INCONVENIENCE, COMMERCIAL LOSS OR CONSEQUENTIAL DAMAGES.

Some states and provinces do not allow limitations on how long an implied warranty will last or the exclusion or limitation of incidental or consequential damages, so the above limitations or exclusions may not apply to you.

The remedy of repair or replacement of a defective part during the warranty period herein specified shall be the purchaser's exclusive remedy.

PROTECTIVE EQUIPMENT

Rollover protective structure (ROPS) and seat belts are provided as standard equipment on all New Holland agricultural tractors and we strongly recommend their use. Customers who elect to remove or not use this protection do so at their own risk.

- I acknowledge the existence of OSHA regulations pertaining to ROPS/FOPS. _____
- The correct Operator's Manual has been furnished to me. _____
- The correct Operator's Manual has been reviewed with me by the selling dealer and will be furnished to me upon delivery of the product. _____
- Safety precautions were explained to me by the selling dealer. _____
- Safety features of the product were explained to me by the selling dealer. _____
- The dealer has reviewed any applicable Federal Emissions Warranty and I understand its provisions. _____

ACKNOWLEDGEMENT/WARRANTY TRANSFER

The blank spaces under "Protective Equipment" have been filled in and are correct, and I acknowledge that I have read and I accept this Warranty and Limitation of Liability.

Purchaser _____ Dealer _____ Code _____

Address _____ Address _____

City _____ State _____ Zip _____ City _____ State _____ Zip _____

Model _____ Serial No. _____ Retail Date _____ / _____ / _____

Attachment Model _____ SN _____

Attachment Model _____ SN _____

Purchaser _____ Date _____ Dealer _____ Date _____

Signature Signature

NEW HOLLAND WARRANTY DETAIL

The warranty period will begin on date of original retail sale or date of original use, whichever is earlier.

- The obligation of Company to the purchaser under this warranty is limited to the repair or replacement of defective parts by an authorized New Holland dealer and will be done free of charge for both parts and labor using genuine New Holland replacement parts. Repair or replacement in accordance with this warranty shall constitute fulfillment of all liabilities of Company and the Selling Dealer in respect to such Products.
- Repairs or replacements will be performed by the Selling Dealer, following delivery of the Product by the purchaser to the Dealer's place of business. When the purchaser has moved a long distance from the Selling Dealer, or the Selling Dealer is no longer in business, any New Holland dealer authorized to sell and service the described Products may perform the repair at its dealership.
- The Selling Dealer shall review these warranty provisions with the purchaser prior to retail sale, secure his acknowledgement of delivery of this warranty and record the date of original retail sale or date of original use.
- To obtain warranty service, the purchaser must (1) report the product defect to an authorized New Holland dealer and request repair within the applicable warranty term and (2) present evidence of the warranty start date.

WHAT IS NOT COVERED BY THE WARRANTY?

This warranty shall NOT apply under the following conditions:

- (i) With respect to vendor warranty items such as Allison transmissions and Deutz, Cummins and Caterpillar engines, or tires, tubes, and attachments which shall be warranted by their manufacturer, or local representative thereof.
- (ii) If the unit has been subject to misapplication, abuse, misuse, negligence of proper maintenance or other negligence, fire or other accident.
- (iii) If parts or attachments other than those made or marketed by New Holland North America, Inc. or New Holland Canada Ltd., have been used in connection with the unit, and in the sole judgment of Company such use affects its performance, stability or reliability.
- (iv) If the unit has been altered or repaired outside of a New Holland dealership in a manner which, in the sole judgment of Company, affects its performance, stability or reliability.
- (v) Batteries are covered by a separate pro-rata adjustment warranty. The pro-rata plan covers the battery fully for the basic product warranty period as indicated, with any remaining warranty pro-rated according to the months of service.
- (vi) The purchaser shall be responsible for payment of dealer travel time to the machine or to deliver the machine to the dealer's service shop for repair. New Holland warranty does not cover delivery charges or travel time.
- (vii) The Company shall have no liability for used equipment sold beyond the specified coverage period.
- (viii) No warranty shall apply to damage resulting from accident or damage caused by environment (such as exposure to corrosive material). The Company shall not be responsible for rental equipment used to replace the equipment being repaired.
- (ix) This warranty shall NOT apply to normal maintenance services (such as tune-ups, fuel injection system cleaning or wheel, brake and clutch adjustments), to normal replacement of service items (such as filters and brake or clutch linings), or to normal deterioration due to use or exposure (such as belts and exterior finish). New Holland shall not be responsible for normal replacement parts such as cutting knives, chains, belts, clutches, filters, oil, or other parts which are worn out, unless they are determined to be defective in material or workmanship.
- (x) This warranty shall NOT apply to any Product which is normally operated outside of the United States, and/or Canada.
- (xi) This warranty shall NOT apply if the purchaser, insurance company, or any other entity or individual acting on behalf of the purchaser seeks reimbursement for the dollar value of the repair(s) or replacement(s) covered under this warranty.
- (xii) If the injection pump has been set for fuel delivery above New Holland specifications.

RIGHT TO MAKE DESIGN CHANGES

Company reserves the right to make changes in the design and other changes in its products at any time and from time to time without notice and without incurring any obligation with respect to any product previously ordered from it, sold or shipped by it.

CONTENTS

SAFETY	0-5
SECTION 1 - ASSEMBLY	1-1
SECTION 2 - GENERAL INFORMATION	2-1
SECTION 3 - OPERATION	3-1
SECTION 4 - LUBRICATION	4-1
SECTION 5 - MAINTENANCE	5-1
SECTION 6 - TROUBLESHOOTING	6-1
SECTION 7 - SPECIFICATIONS	7-1
INDEX	7-2
DELIVERY REPORT	7-3
PUBLICATIONS ORDER FORM	7-7

OWNER ASSISTANCE

We at New Holland and your New Holland dealer want you to be completely satisfied with your investment. Normally any problems with your equipment will be handled by your dealer's Service Department. Sometimes, however, misunderstanding can occur. If your problem has not been handled to your satisfaction, we suggest the following.

1. Contact the owner or General Manager of the dealership, explain the problem, and request assistance. When additional assistance is needed, your dealer has direct access to our branch office.
2. If you cannot obtain satisfaction by doing this, contact the branch office in your area and provide them with:
 - Your name, address, and telephone number
 - Machine model and serial number
 - Dealership name and address
 - Machine purchase date and amount of use
 - Nature of problem

Atlanta

4727 N Royal Atlanta Dr Suite P
Caller Service 105018
Tucker, GA 30085-5018
Telephone: (770) 723-3605
States: AL, FL, GA, KY, MS,
NC, SC, TN, VA

Dallas

1340 Walnut Hill Lane Bldg 2
P.O. Box 167528
Irving, TX 75016-7528
Telephone: (972) 756-4919
States: AR, AZ, CA, CO, HI, KS,
LA, MO, NM, NV, OK, TX, UT

Minneapolis

6301 W Old Shakopee Rd
P.O. Box 386150
Minneapolis, MN 55438-6150
Telephone: (612) 887-4231
States: AK, IA, ID, IL, MN, MT,
ND, NE, OR, SD, WA, WI, WY

New Holland

200 Commerce St.
P.O. Box 527
Mountville, PA 17554-0527
Telephone: (717) 285-8302
States: CT, DE, IN, MA, MD, ME,
MI, NH, NJ, NY, OH, PA, RI, VT,
WV

Calgary

Suite 220
3030 Third Ave. NE
Box 1616, Stn M
Calgary, AB
CANADA T2P 2M7
Telephone: (403) 569-3208

3. If you need further assistance contact:

*Service Department
Mail Station 500
New Holland North America, Inc.
New Holland, PA 17557*

When contacting your branch office or Service Department, be aware that your problem will likely be resolved in the dealership using the dealer's facilities, equipment, and personnel. So it is important that your initial contact be with the dealer.

A Service Publications Catalog & Order Form is available which lists the operator's and service manuals for many prior model and most current model Ford - New Holland - Versatile tractors, equipment, and consumer products. To obtain a copy of this catalog, please call 1-800-635-4913, or use the order form at the end of this manual.

PRECAUTIONARY STATEMENTS

PERSONAL SAFETY

Throughout this manual and on machine decals, you will find precautionary statements (“CAUTION”, “WARNING”, and “DANGER”) followed by specific instructions. These precautions are intended for the personal safety of you and those working with you. Please take the time to read them.



CAUTION: THE WORD “CAUTION” IS USED WHERE A SAFE BEHAVIORAL PRACTICE ACCORDING TO OPERATING AND MAINTENANCE INSTRUCTIONS AND COMMON SAFETY PRACTICES WILL PROTECT THE OPERATOR AND OTHERS FROM ACCIDENT INVOLVEMENT.



WARNING: THE WORD “WARNING” DENOTES A POTENTIAL OR HIDDEN HAZARD WHICH HAS A POTENTIAL FOR SERIOUS INJURY. IT IS USED TO WARN OPERATORS AND OTHERS TO EXERCISE EVERY APPROPRIATE MEANS TO AVOID A SURPRISE INVOLVEMENT WITH MACHINERY.



DANGER: THE WORD “DANGER” DENOTES A FORBIDDEN PRACTICE IN CONNECTION WITH A SERIOUS HAZARD.

FAILURE TO FOLLOW THE “CAUTION”, “WARNING”, AND “DANGER” INSTRUCTIONS MAY RESULT IN SERIOUS BODILY INJURY OR DEATH.

MACHINE SAFETY

Additional precautionary statements (“ATTENTION” and “IMPORTANT”) are followed by specific instructions. These statements are intended for machine safety.

ATTENTION: The word “ATTENTION” is used to warn the operator of potential machine damage if a certain procedure is not followed.

IMPORTANT: The word “IMPORTANT” is used to inform the reader of something he needs to know to prevent minor machine damage if a certain procedure is not followed.



CAUTION

- 1. DO NOT WORK AROUND THE MACHINE IN LOOSE CLOTHING THAT MIGHT CATCH IN ANY OF THE MOVING PARTS. REMOVE WRISTWATCH AND RINGS.**
- 2. WEAR A SUITABLE HEARING PROTECTIVE DEVICE, SUCH AS EARMUFFS OR EARPLUGS, IF YOU ARE EXPOSED TO NOISE WHICH YOU FEEL IS UNCOMFORTABLE.**
- 3. KEEP ALL SHIELDS IN PLACE.**
- 4. DO NOT CLEAN, LUBRICATE, OR MAKE ANY ADJUSTMENTS ON THE MACHINE WHILE IT IS IN MOTION OR WHEN THE ENGINE IS RUNNING.**
- 5. PRACTICE OPERATING THE UNIT AT SLOW SPEEDS IN UNCROWDED PLACES UNTIL STEERING BECOMES NATURAL.**
- 6. NEVER SUDDENLY REVERSE THE WHEELS OR STOP OR BACK UP.**
- 7. DO NOT MAKE SHARP TURNS AT HIGH SPEED.**
- 8. DO NOT LEAVE THE CAB WHILE THE ENGINE IS RUNNING. BE SURE TO PLACE THE FNR (FORWARD, NEUTRAL, REVERSE) LEVER IN PARK, ENGAGE THE PARKING BRAKE, AND LOWER THE HEADER BEFORE LEAVING THE CAB.**
- 9. DO NOT START THE HEADER UNTIL YOU ARE CERTAIN EVERYONE IS CLEAR OF THE MACHINE AND HAVE MADE SURE NO TOOLS ARE LYING ON THE MACHINE.**
- 10. NEVER STAND DIRECTLY BEHIND THE MACHINE OR NEAR THE HEADER WHILE IT IS OPERATING.**
- 11. NEVER ATTEMPT TO PULL MATERIAL FROM THE CUTTER BAR, CONDITIONER, OR ANY OTHER AREA OF THE HEADER UNLESS THE ENGINE IS STOPPED, THE FORWARD-NEUTRAL-REVERSE LEVER IS IN NEUTRAL, AND THE PARKING BRAKE IS ENGAGED.**
- 12. DO NOT WORK UNDER A RAISED HEADER UNLESS IT IS SECURELY LOCKED.**
- 13. USE PROPER LIGHTS WHEN TRAVELING AFTER DARK ON HIGHWAYS. WHENEVER TRAVELING ON A HIGHWAY, TURN ON THE FLASHING LIGHTS, EXCEPT WHERE PROHIBITED BY LOCAL REGULATIONS. INSTALL AN SMV EMBLEM (SLOW-MOVING VEHICLE) ON THE ENGINE END OF THE TRACTOR WHEN TRAVELING ON THE HIGHWAY.**
- 14. INSTALL A FIRE EXTINGUISHER IN THE CAB. KEEP THE ENGINE AREA CLEAN. REMOVE DUST, CHAFF, AND HAY TO PREVENT THE POSSIBILITY OF FIRES.**
- 15. DO NOT FILL THE FUEL TANK WHILE THE ENGINE IS HOT OR RUNNING.**
- 16. DO NOT SMOKE WHILE FILLING THE FUEL TANK OR SERVICING THE FUEL SYSTEM.**
- 17. ALWAYS BLOCK THE WHEELS WHEN WORKING ON, UNDER, OR AROUND THE MACHINE.**
- 18. ALWAYS USE THE OPERATOR'S SEAT BELT WHILE DRIVING THE MACHINE.**

SECTION 1

ASSEMBLY

2300BF BIDIRECTIONAL ADAPTER FRAME FOR 2200/2300 SERIES HEADERS APPROXIMATE ASSEMBLY TIME - 6 HOURS

Figure 1-1 shows the parts included in the 2300BF package.

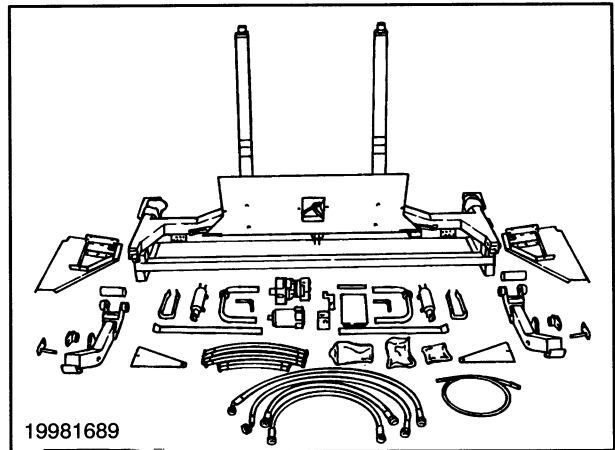


Figure 1-1

You will need a header completing package, such as the one shown in Figure 1-2, to install the header on the frame. The spring assemblies for the frame vary depending upon your header choice; thus they come as part of the header completing package.

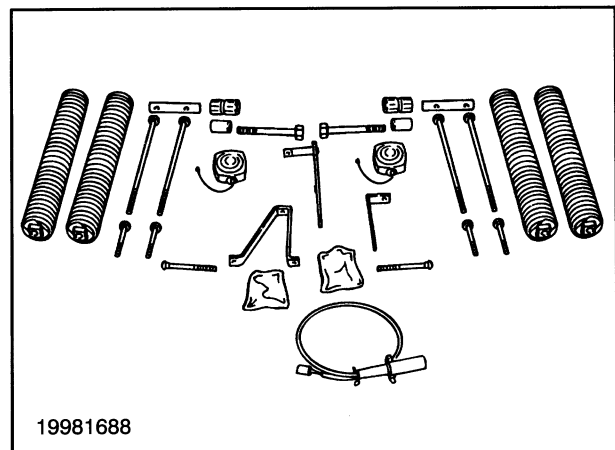


Figure 1-2

Thank you so much for reading.
Please click the “Buy Now!”
button below to download the
complete manual.



After you pay.

You can download the most
perfect and complete manual in
the world immediately.

Our support email:

ebooklibonline@outlook.com