

M-2429

NEW HOLLAND

52" Side Discharge Mower

OPERATOR'S MANUAL

For
LS Yard Tractors
Model No.
715700001 – T0T0001 & Up

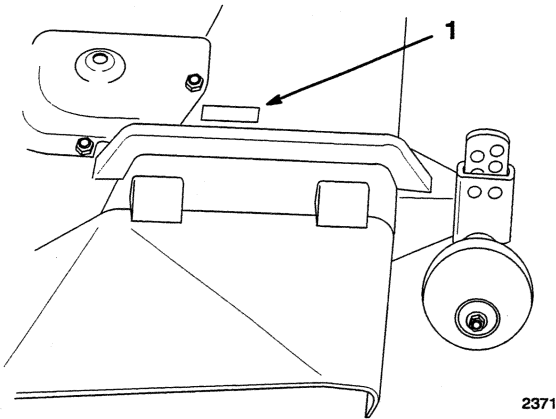


Introduction

Thank you for purchasing a New Holland product.

All of us at New Holland want you to be completely satisfied with your new product, so feel free to contact your local Authorized Service Dealer for help with service, genuine replacement parts, or other information you may require.

Whenever you contact your Authorized Service Dealer or the factory, always know the model and serial numbers of your product. These numbers will help the Service Dealer or Service Representative provide exact information about your specific product. You will find the model and serial number plate located in a unique place on the product as shown below.



1. Model and Serial Number Plate

The warning system in this manual identifies potential hazards and has special safety messages that help you and others avoid personal injury, even death. **DANGER**, **WARNING** and **CAUTION** are signal words used to identify the level of hazard. However, regardless of the hazard, be extremely careful.

DANGER signals an extreme hazard that will cause serious injury or death if the recommended precautions are not followed.


WARNING signals a hazard that may cause serious injury or death if the recommended precautions are not followed.

CAUTION signals a hazard that may cause minor or moderate injury if the recommended precautions are not followed.

Two other words are also used to highlight information. "Important" calls attention to special mechanical information and "Note" emphasizes general information worthy of special attention.

The left and right side of the machine is determined by sitting on the seat in the normal operator's position.

For your convenience, write the product model and serial numbers in the space below.

 NEW HOLLAND	
MODEL NO.	SERIAL NO.
COMPONENT	
NEW HOLLAND NORTH AMERICA, INC.	
<small>MADE IN U.S.A.</small>	

Contents

	Page		Page
Safety and Instruction Decals	2	Operating the Power Take Off (PTO)	13
Installation	3	Attachment Lift Lever	14
Loose Parts	3	Attachment Power Lift	14
Mower Preparation	4	Adjusting Dial-A-Height	15
Tractor Preparation	6	Adjusting Gage Wheels	15
Installing the Mower	7	Tips for Mowing and Mulching Grass	16
Transport Height Adjustment	8	Maintenance	17
Side-to-Side Mower Leveling	9	Service Interval Chart	17
Front-to-Rear Blade Slope	10	Cutting Blade	18
Removing the Mower	11	Greasing and Lubrication	20
Removing the Mulching Baffle	12	Blade Drive Belt	20
Installing the Mulching Baffle	12	Power Take Off (PTO) Belt	21
Operation	13	Storage	22
Side Discharge	13	Troubleshooting	23

Safety and Instruction Decals

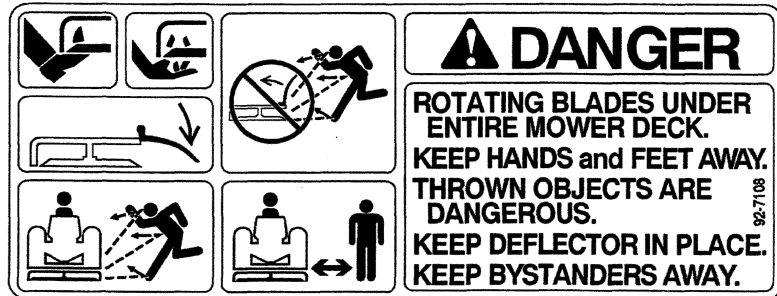


Safety decals and instructions are easily visible to the operator and are located near any area of potential danger. Replace any decal that is damaged or lost.

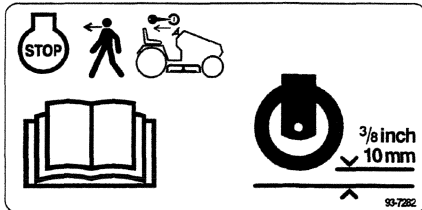
ON GRASS DEFLECTOR
(Part No. TR93D1122)



ON MOWER LEFT AND DISCHARGE CHUTE
(Part No. TR92D7108)



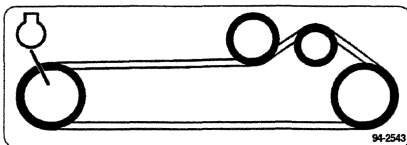
NEXT TO GAGE WHEELS
(Part No. TR93D7282)



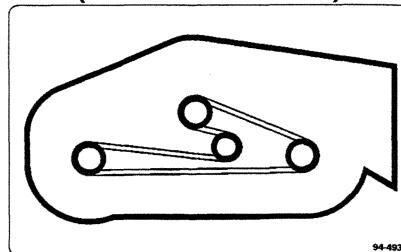
UNDER GRASS DEFLECTOR
(Part No. TR92D7109)



ON MOWER LEFT SIDE
(Part No. TR94D2543)



ON MOWER REAR CENTER
(Part No. TR94D4937)



Installation

Loose Parts

Note: Use the chart below to identify parts used for assembly.

DESCRIPTION	QTY.	USE
Gage wheel	2	Install gage wheels
Shoulder bolt	2	
Lock nut 3/8" (with patch on threads)	2	
Link Bracket	1	Install link bracket
Washer	2	
Cotter pin	2	
Adjustable links	2	Install front mount to mower
Washer	2	
Cotter pin 1" (26 mm)	2	
Grass deflector	1	Install grass deflector
Spring	2	
Bolt 3/8- 24 x 3-1/2" (89 mm)	2	
Lock nut 3/8"	2	
Up stop	1	Install mower up stop
Hairpin cotter-large	2	Install mower to tractor
Washer 3/4" (19 mm)	2	
Link pin	1	
Hairpin cotter-small	3	
Washer	3	
Operator's Manual	1	Read before operating

Mower Preparation

1. Attach gage wheels to the outside of arms on rear carrier assembly. Grease fitting on wheel must face in (Fig. 1).
2. Secure with shoulder bolt and 3/8" lock nut, with internal locking patch on threads (Fig. 1).

Note: Grease wheels.

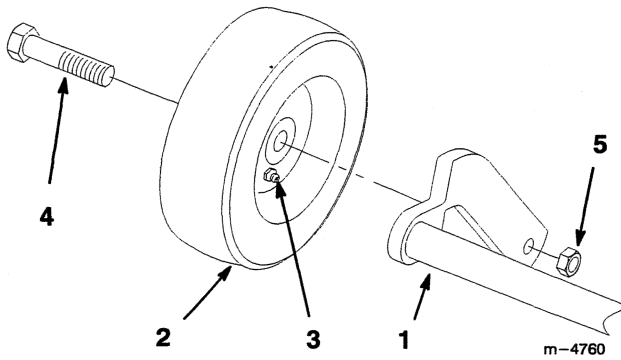


Figure 1

- | | |
|----------------------|-------------------------------|
| 1. Carrier arm | 4. Shoulder bolt |
| 2. Wheel | 5. Lock nut 3/8" (with patch) |
| 3. Grease fitting in | |

3. Install link bracket between mower bracket and carrier lift arm (Fig. 2).
4. Secure with 1/2" washers and 1" (26 mm) cotter pins (Fig. 2).

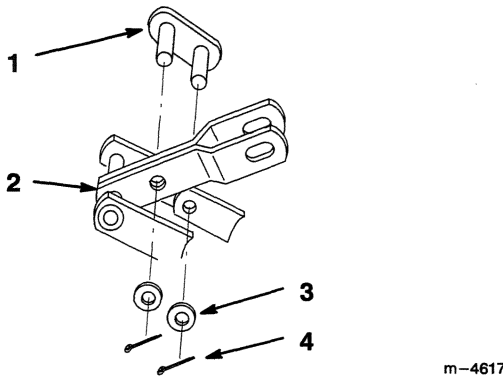


Figure 2

- | | |
|---------------------|--------------------------|
| 1. Link Bracket | 3. Washer 1/2" |
| 2. Carrier lift arm | 4. Cotter pin 1" (26 mm) |

5. Place adjustable links, with bolt heads down, between brackets on the front of the mower (Fig. 3).
6. Secure to brackets with 1/2" washers and 1" (26 mm) cotter pins (Fig. 3).

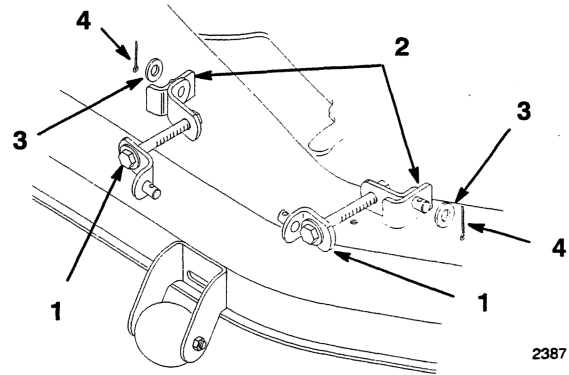


Figure 3

- | | |
|--------------------|--------------------------|
| 1. Adjustable link | 3. Washer 1/2" |
| 2. Bracket | 4. Cotter pin 1" (26 mm) |

Thank you so much for reading.
Please click the “Buy Now!”
button below to download the
complete manual.



After you pay.

You can download the most
perfect and complete manual in
the world immediately.

Our support email:

ebooklibonline@outlook.com