

m-3614

# NEW HOLLAND GT18

Garden Tractor  
Model No.  
716497016—T0AA0001 & Up

# OPERATOR'S MANUAL

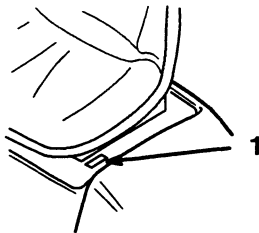


# Introduction

Thank you for purchasing a New Holland product.

All of us at New Holland want you to be completely satisfied with your new product, so feel free to contact your local Authorized Service Dealer for help with service, genuine replacement parts, or other information you may require.


Whenever you contact your Authorized Service Dealer or the factory, always know the model and serial numbers of your product. These numbers will help the Service Dealer or Service Representative provide exact information about your specific product. You will find the model and serial number plate located in a unique place on the product as shown below.



m-3605

1. Model and Serial Number Plate

For your convenience, write the product model and serial numbers in the space below.

 <b>NEW HOLLAND</b>	
MODEL NO.	SERIAL NO.
COMPONENT	
NEW HOLLAND NORTH AMERICA, INC.	
MADE IN U.S.A.	

Read this manual carefully to learn how to operate and maintain your product correctly. Reading this manual will help you and others avoid personal injury and damage to the product. Although we design, produce and market safe, state-of-the-art products, you are responsible for using the product properly and safely. You are also responsible for training persons, who you allow to use the product, about safe operation.

The warning system in this manual identifies potential hazards and has special safety messages that help you and others avoid personal injury, even death. DANGER, WARNING and CAUTION are signal words used to identify the level of hazard. However, regardless of the hazard, be extremely careful.



**DANGER** signals an extreme hazard that will cause serious injury or death if the recommended precautions are not followed.

**WARNING** signals a hazard that may cause serious injury or death if the recommended precautions are not followed.

**CAUTION** signals a hazard that may cause minor or moderate injury if the recommended precautions are not followed.

Two other words are also used to highlight information. "Important" calls attention to special mechanical information and "Note" emphasizes general information worthy of special attention.

The left and right side of the machine is determined by sitting on the seat in the normal operator's position.

	<b>WARNING:</b>	
<b>The engine exhaust from this product contains chemicals known to the State of California to cause cancer, birth defects, or other reproductive harm.</b>		

**IMPORTANT:** The engine in this product is not equipped with a spark arrester muffler. It is a violation of California Public Resource Code Section 4442 to use or operate this engine on any forest-covered, brush-covered or grass-covered land as defined in CPRC 4126. Other states or federal areas may have similar laws.



## GT18 and GT22 Garden Tractor

MODEL NO. 716497016-T0AA0001 & UP  
 MODEL NO. 716499016-T0AD0001 & UP  
 MODEL NO. 716500016-T0AE0001 & UP

### Setup Instructions

## Loose Parts

**Note:** Use the chart below to identify parts for assembly.

DESCRIPTION	QTY.	USE
Seat Assembly	1	Installing the seat
Shoulder Bolt - 5/16"	2	
Locknut - 5/16"	2	
Steering Wheel	1	Installing the steering wheel
Boot Washer	1	
Spacer	1	
Lock ring with set screw	1	
Nut	1	
Lock Washer	1	
Trim Cover	1	
Bolt - 1/4"-20 x .88" Long	2	Attaching the battery cables
Hex nut - 1/4"-20	2	
Flat washer 1/4"	1	
Hitch Pin	1	Installing the drawbar hitch pin
Hairpin Cotter	1	
Flat Washer - .50" I.D.	2	
Key	2	Use in ignition and "reverse interlock" switches
Operator's Manual	1	Read before operating the tractor
Engine Operator's Manual	1	

## Installing the Seat

1. Mount the seat to the seat base using two 5/16" shoulder bolts and lock nuts (Fig. 1).
2. Insert the seat switch wire through the center opening in the seat base (Fig. 1).
3. Push the seat switch wire connector into the wire harness connector.

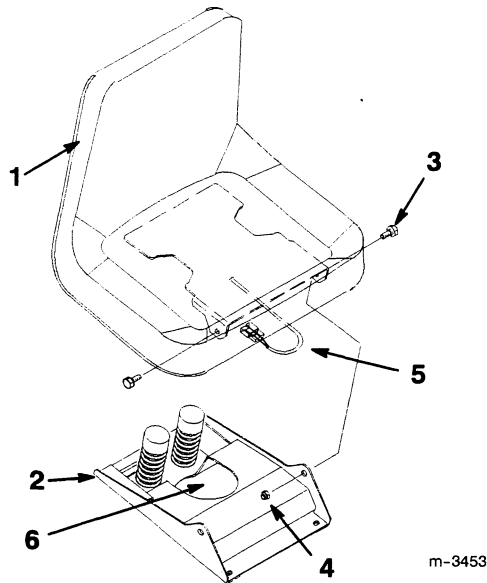


Figure 1

- |                            |                                 |
|----------------------------|---------------------------------|
| 1. Seat                    | 5. Seat switch wire connector   |
| 2. Seat base               | 6. Opening for seat switch wire |
| 3. 5/16" shoulder bolt (2) |                                 |
| 4. 5/16" Locknut (4)       |                                 |

**Note:** On manual steering models, be sure to align steering wheel in the straight ahead position. There is **no fixed straight ahead position on power steering models.**

4. Secure the steering wheel to the shaft with a lock washer and nut (Fig. 2). Tighten the retaining nut to 45-50 ft-lbs.
5. Install the trim cover on the steering wheel (Fig. 2).
6. Lift up on the spacer until it is tight against the steering wheel and slide the lock ring up tight against the spacer (Fig. 2).
7. Secure the lock ring in place using the set screw (Fig. 2).

**Note:** Use the notch in the side of the spacer to access the set screw.

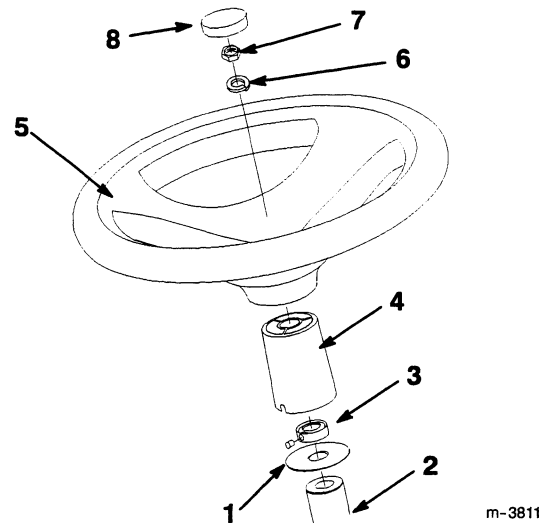


Figure 2

1. Slide the boot washer, lock ring with set screw, and spacer (large end down) onto the steering shaft (Fig. 2).
2. Remove the plastic trim cover from the steering wheel (Fig. 2).
3. Install the steering wheel onto the shaft, carefully aligning the splines (Fig. 2).

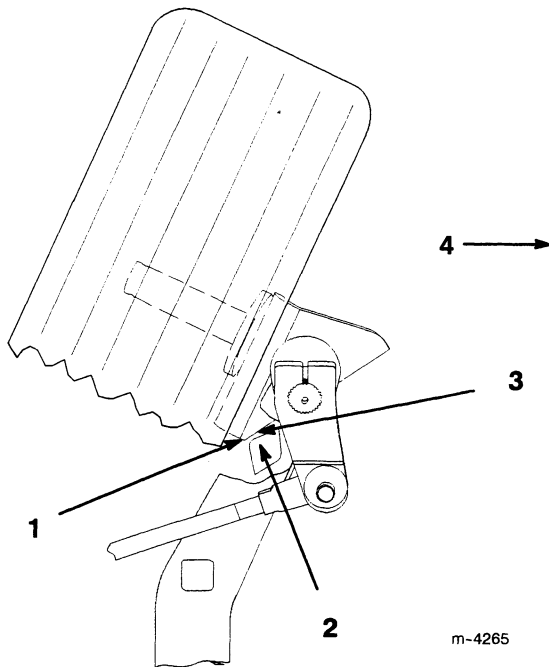
- |                             |                   |
|-----------------------------|-------------------|
| 1. Boot washer              | 5. Steering wheel |
| 2. Steering shaft           | 6. Lock washer    |
| 3. Lock ring with set screw | 7. Nut            |
| 4. Spacer                   | 8. Trim cover     |

## Checking Front Wheel Toe-In

With the tractor on a level surface, check to make sure the front wheel toe-in is between 1/8" and 1/4". For instructions on adjusting toe-in, refer to the Maintenance section in Operator's Manual.

## Ensuring that the Steering Linkage is Centered

1. With the tractor on a level surface, turn the steering wheel fully to the left and check the clearance of the left hand spindle stop to the stop on the front axle. There should be a slight clearance between the stops (Fig. 3).



**Figure 3**

- |                           |                     |
|---------------------------|---------------------|
| 1. Left hand spindle stop | 3. Clearance        |
| 2. Axle stop              | 4. Front of tractor |

2. Repeat for the right front tire in a right turn.

3. If the stops on one side hit, and on the other side have clearance, shorten the tie rod on the side that hits, and equally lengthen the tie rod on the opposite side until both sides have clearance. Recheck the toe in.

## Checking Tire Pressure

Check front and rear tire pressure. The correct front and rear tire pressure is 20 psi (138 kPa).

## Activating the Battery

### **⚠ DANGER**

#### **POTENTIAL HAZARD**

- Battery electrolyte contains sulfuric acid which is a deadly poison and it causes severe burns.

#### **WHAT CAN HAPPEN**

- If you carelessly drink electrolyte you could die or if it gets onto your skin you will be burned.

#### **HOW TO AVOID THE HAZARD**

- Do not drink electrolyte and avoid contact with skin, eyes or clothing. Wear safety glasses to shield your eyes and rubber gloves to protect your hands.
- Fill the battery where clean water is always available for flushing the skin.
- Follow all instructions and comply with all safety messages on the electrolyte container.

1. Remove the battery from the tractor (refer to Removing the Battery in your tractor Operator's Manual).

**Note:** Never fill the battery with electrolyte with the battery installed in the tractor.

- Remove the filler caps from the battery. Slowly pour electrolyte into each cell until the electrolyte level is up to the lower part of the tube (Fig. 4). Use an electrolyte with a specific gravity of 1.265.

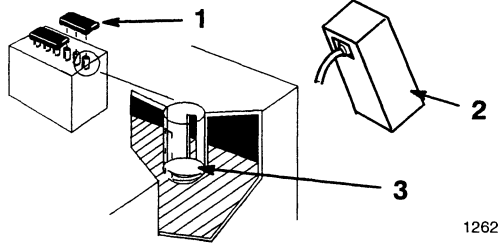


Figure 4

- Filler caps
- Electrolyte
- Lower part of tube

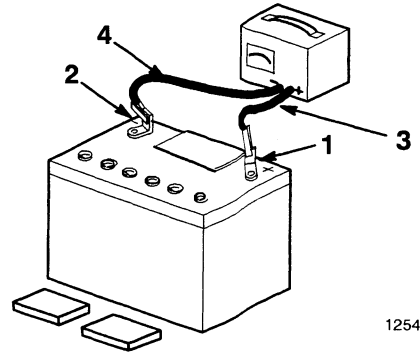


Figure 5

- Positive battery post
- Negative battery post
- Red (+) charger lead
- Black (-) charger lead

- Slowly pour electrolyte into each cell until the level is up to the upper line on the battery case (Fig. 4), then install the filler caps.
- Install the battery in the tractor and connect the battery cables (refer to **Installing the Battery** in your tractor Operator's Manual).

**! WARNING**

**POTENTIAL HAZARD**

- Charging battery produces gasses.

**WHAT CAN HAPPEN**

- Battery gasses can explode.

**HOW TO AVOID THE HAZARD**

- Keep cigarettes, sparks and flames away from battery.

- Leave the filler caps off and connect a 3-4 amp battery charger to the battery posts (Fig. 5). Charge the battery at a rate of 4 amperes or less for 4 hours (12 volts).
- When the battery is fully charged, unplug the charger from electrical outlet, then disconnect the charger leads from the battery posts (Fig. 5).

## Installing the Hitch Pin

Insert the hitch pin into the drawbar hitch and secure it with a .50" I.D. flat washer and hairpin cotter (Fig. 6).

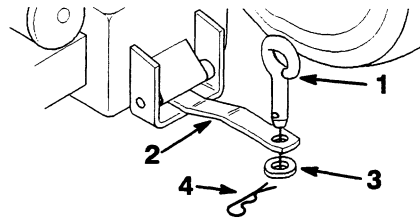


Figure 6

- Hitch pin
- Drawbar hitch
- .50" Flat washer
- Hairpin cotter

## Checking the Wiring and Fasteners

- Inspect the tractor for any loose electrical connections and secure them as required. Check the wire routing to make sure moving parts do not interfere with wires and cause a short.
- Assure all fasteners are tight.

## Burnishing the Clutch

The following break-in procedure must be performed as part of predelivery service or when a new clutch is installed.

**Note:** There must be a PTO driven attachment installed to provide a load in order to burnish the clutch facings properly.

1. Run the engine at full throttle and engage the clutch bringing the load to full speed. Then disengage the clutch.
2. Let the load come to a full stop, then engage again.
3. Repeat these procedures (1 and 2) 5 times.

## Test Driving the Tractor

1. Check the oil level in the crankcase (refer to Engine Oil in your tractor Operator's Manual for oil type, viscosity and crankcase capacity).

**Note:** When checking the oil level, slide the dipstick all the way into the filler tube, but do not screw the dipstick onto the filler tube.

2. Check the oil level in the transaxle (refer to Transaxle Fluid in your tractor Operator's Manual for oil type, viscosity and capacity).
3. Check to make sure all lubrication points have been greased as shown in the Maintenance section of tractor Operator's Manual.
4. Fill the tank with unleaded regular gasoline with an octane rating of at least 85. Open the fuel shutoff valve and check the fuel hose and fittings for leaks.
5. As applicable, check and test the operation of the following:
  - Engine, choke and throttle controls
  - Gauges
  - Headlights and taillights
  - Indicator lights
  - PTO clutch and brake
  - Lift system
  - Service and parking brakes
  - Transmission controls
  - Steering
  - Tractor operation in forward and reverse
6. Test the operation of the safety interlock system (refer to the tractor Operator's Manual for the correct procedure).

FORM NO. 3324-595

## Attach-a-Matic® Kit

Part No. 100-8716  
Part No. TR100D8716

**INSTALLATION  
INSTRUCTIONS**

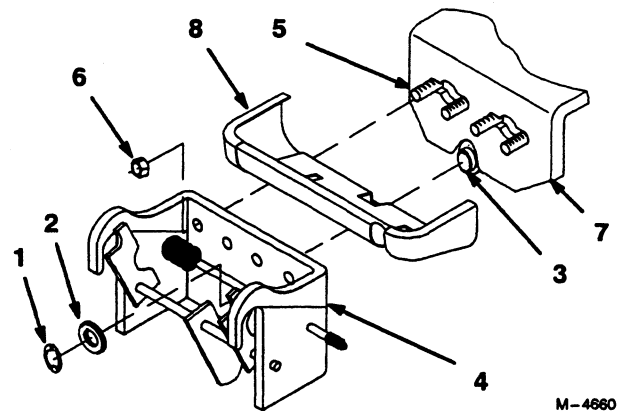
### Loose Parts

**Note:** Use the chart below to identify parts for assembly.

DESCRIPTION	QTY.	USE
Attach-a-Matic®	1	Install Attach-a-Matic®
Bolts	4	
Nuts	4	

### Installing Attach-a-Matic®

1. Remove the E-ring and all washers from the front axle pivot pin (Fig. 1). Remove muffler shield.
2. Install (4) 3/8 x 1" carriage bolts into the keyhole slots in the axle bracket. (Fig. 1).
3. Install the muffler shield and place the front hitch onto the tractor, securing it with (4) 3/8" locknuts (Fig. 1).
4. Reinstall enough washers to fill the space between hitch and E-ring groove. Install E-ring (Fig. 1).



**Figure 1**

- |                 |                                       |
|-----------------|---------------------------------------|
| 1. E-ring       | 5. Carriage bolt 3/8 x 1" (Installed) |
| 2. Thick Washer | 6. Locknut 3/8"                       |
| 3. Axle pivot   | 7. Front of Tractor                   |
| 4. Front hitch  | 8. Muffler Guard                      |



Thank you so much for reading.  
Please click the “Buy Now!”  
button below to download the  
complete manual.



After you pay.

You can download the most  
perfect and complete manual in  
the world immediately.

Our support email:

[ebooklibonline@outlook.com](mailto:ebooklibonline@outlook.com)