

m-3460

NEW HOLLAND

44" Mower

OPERATOR'S MANUAL

For Garden Tractors
Model No.
716501006 – T0BB0001 & Up



NEW HOLLAND

SERVICE

Publication Number:
86602571 1/2000

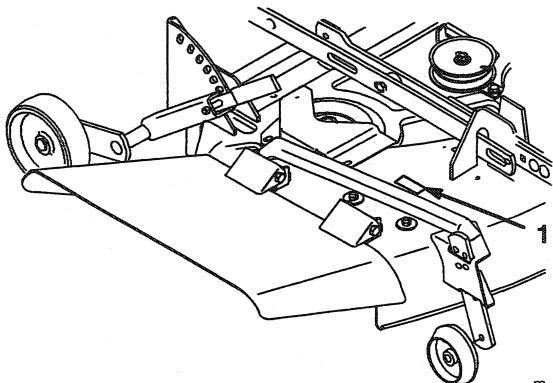
Reprinted

Introduction

Thank you for purchasing a New Holland product.

All of us at New Holland want you to be completely satisfied with your new product, so feel free to contact your local Authorized Service Dealer for help with service, genuine replacement parts, or other information you may require.


Whenever you contact your Authorized Service Dealer or the factory, always know the model and serial numbers of your product. These numbers will help the Service Dealer or Service Representative provide exact information about your specific product. You will find the model and serial number plate located in a unique place on the product as shown below.



m-3464

1. Model and Serial Number Plate

For your convenience, write the product model and serial numbers in the space below.

 NEW HOLLAND	
MODEL NO.	SERIAL NO.
COMPONENT	
NEW HOLLAND NORTH AMERICA, INC.	
<small>MADE IN U.S.A.</small>	

Read this manual, and all related equipment manuals, carefully to learn how to operate and maintain your product correctly. Reading this manual will help you and others avoid personal injury and damage to the product. Although we design, produce and market safe, state-of-the-art products, you are responsible for using the product properly and safely. You are also responsible for training persons, who you allow to use the product, about safe operation.

The warning system in this manual identifies potential hazards and has special safety messages that help you and others avoid personal injury, even death. DANGER, WARNING and CAUTION are signal words used to identify the level of hazard. However, regardless of the hazard, be extremely careful.

DANGER signals an extreme hazard that will cause serious injury or death if the recommended precautions are not followed.

WARNING signals a hazard that may cause serious injury or death if the recommended precautions are not followed.

CAUTION signals a hazard that may cause minor or moderate injury if the recommended precautions are not followed.

Two other words are also used to highlight information. "Important" calls attention to special mechanical information and "Note" emphasizes general information worthy of special attention.

The left and right side of the machine is determined by sitting on the seat in the normal operator's position.

Contents

	Page		Page
Safety and Instruction Decals	2	Adjusting the Front Wheels	15
Installation	3	Check for Debris	16
Loose Parts	3	Tips for Mowing Grass	16
Mower Preparation	3	Maintenance	18
Installing the Mower	4	Service Interval Chart	18
Attach the PTO Drive Belt	7	Cutting Blade	19
Adjusting the Mower	8	Greasing and Lubrication	21
Removing the Mower	11	Checking PTO Drive Belt Tension	21
Operation	14	Extending PTO Drive Belt Life	22
Operating the Power Take Off (PTO)	14	Blade Drive Belt	22
Attachment Lift Lever	14	Washing the Underside of the Mower	22
Adjusting the Center Anti-Scalp Roller ...	15	Storage	23
		Troubleshooting	24

Safety and Instruction Decals



Safety decals and instructions are easily visible to the operator and are located near any area of potential danger. Replace any decal that is damaged or lost.

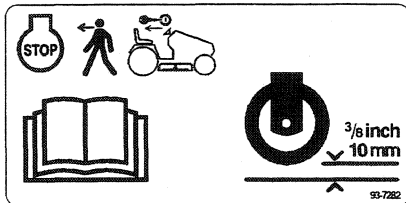
ON DISCHARGE CHUTE
(Part No. TR93D1122)



(1) ON DISCHARGE CHUTE
(1) ON DECK LEFT SIDE
(Part No. TR92D7108)



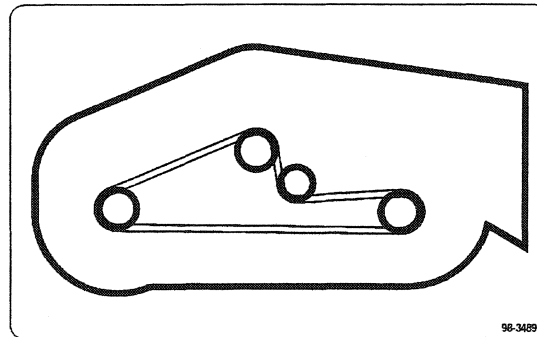
NEXT TO GAGE WHEELS
(Part No. TR93D7282)



(2) ON LEVELER BAR
(Part No. TR98D3478)



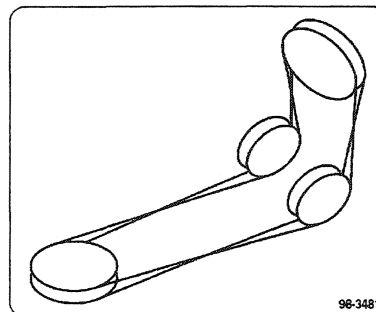
ON MOWER REAR TOP
(Part No. TR98D3489)



ON HEIGHT-OF-CUT BRACKET
(Part No. TR111655)



ON MOWER RIGHT SIDE
(Part No. TR98D3481)



UNDER DISCHARGE CHUTE
(Part No. TR92D7109)



Installation

Loose Parts

Note: Use the chart below to identify parts used for assembly.

DESCRIPTION	QTY.	USE
Discharge chute	1	Install discharge chute
Spring	2	
Bolt 3/8-24 x 3-1/2"	2	
Lock nut 3/8"	2	
PTO drive belt	1	Install PTO drive belt
Pulley box	1	Install pulley box

Mower Preparation

Install the Discharge Chute

1. Place the springs into the brackets on the mower with the hooked ends over the raised back of the bracket (Fig. 1).
2. Align the discharge chute with the holes in the brackets and the spring straight ends in the space under the hinge and above the chute (Fig. 1).
3. Secure the chute to the bracket with bolts through the discharge chute, springs and brackets. Secure with lock nuts (Fig. 1).
4. Lift the discharge chute and check that it is spring loaded and pivots freely to the full down position.

IMPORTANT: Discharge chute must be spring loaded in the down position. Lift the chute up to test that it snaps to the full down position.

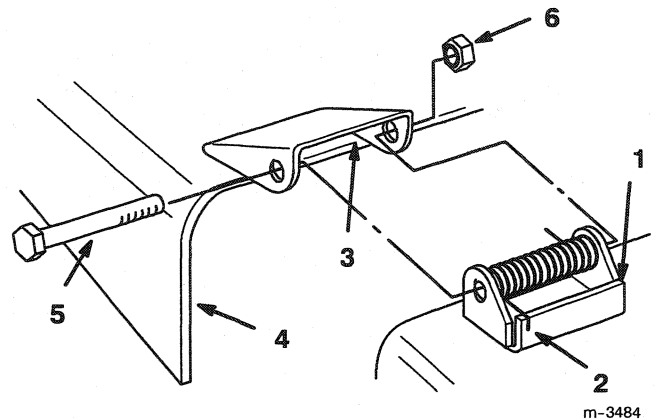


Figure 1

- | | |
|---------------------|--------------------|
| 1. Bracket | 4. Discharge chute |
| 2. Spring hook end | 5. Bolt |
| 3. Space for spring | 6. Lock nut |

! DANGER

POTENTIAL HAZARD

- Without the discharge chute or the complete grass catcher assembly mounted in place, you and others are exposed to blade contact and thrown debris.

WHAT CAN HAPPEN

- Contact with rotating mower blade(s) and thrown debris will cause injury or death.

HOW TO AVOID THE HAZARD

- NEVER remove the discharge chute from the mower because the discharge chute routes material down toward the turf. If the discharge chute is ever damaged, replace it immediately. Never put your hands or feet under the mower.
- Never try to clear the discharge area or mower blades unless you move the power take off (PTO) to "OFF" and turn the ignition key to "STOP." Also remove the ignition key and pull the wire(s) off the spark plug(s).

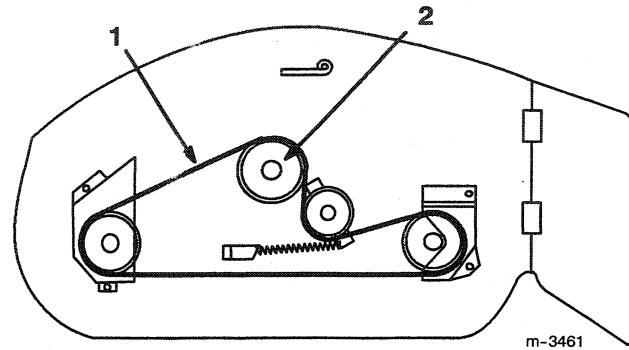


Figure 2

Top View

1. Mower belt

2. Mower deck pulley

Installing the Mower

Initial Preparation

The mower is most easily installed when done on a level concrete surface. Rougher dirt or lawn surfaces make installation more difficult.

1. Position the tractor and mower side by side, with the mower on the right-hand side of the tractor.
2. Set the parking brake, raise the attachment lift, and turn the ignition key to "STOP" to stop the engine. Remove the ignition key.
3. If you have previously had a snowthrower, blade or tiller attached to the attachment lift, remove the two clevis pins on each side of the attachment lift (Fig. 3).

Mower Belt Routing

1. Route the mower belt as shown in Fig. 2. Be sure to install the belt on the lower mower deck pulley.

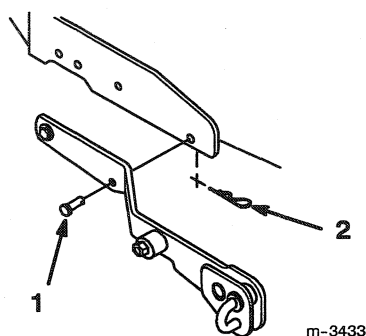


Figure 3

- 1. Clevis pin
- 2. Hairpin cotter

4. Attach the pulley box if it is not already on the tractor. Make sure the latches on the tractor's front Quick Attach are open (Fig. 4). Then slide the pulley box into the Quick Attach latches and seat it. Close the latches.

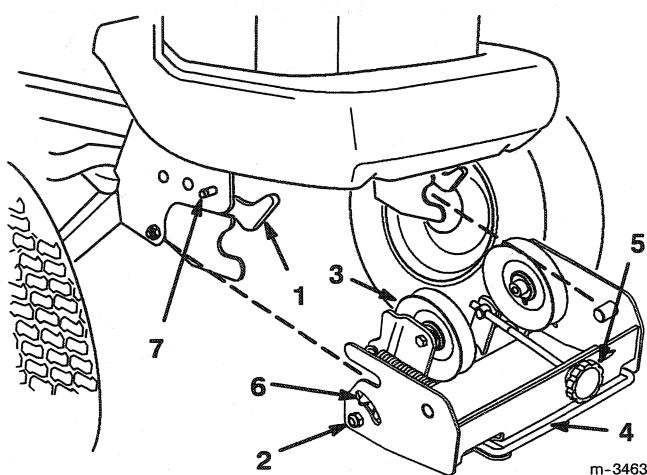


Figure 4

- 1. Quick Attach latches
- 2. Pulley box
- 3. Idler pulley
- 4. Belt tension release arm
- 5. Belt tension adjustment knob
- 6. Belt tension indicators (one on each side)
- 7. Quick Attach buttons (one on each side)

Attach the Mower

1. Make sure the mower wheels are set for low height of cut.
2. Make sure the attachment lift is in the full up position.
3. From the driver's right-hand side of the tractor, slide the mower under the tractor.
4. After sliding the mower under the tractor, position it so that the slots in the side of each of the mower's mounting brackets (Fig. 5) are aligned directly below the tractor's attachment lift arm.

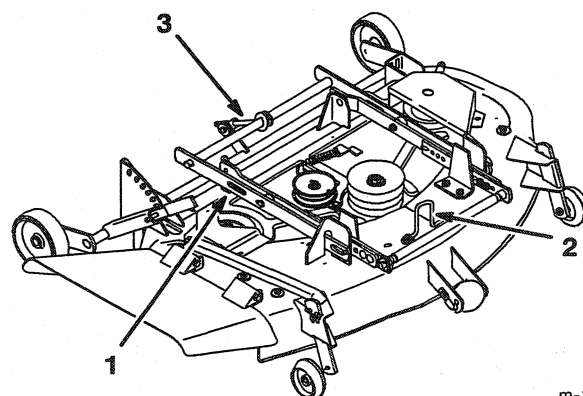


Figure 5

- 1. Slots in the side mounting brackets (2)
- 2. Belt guide
- 3. Front-to-rear adjustment rod

5. Start the tractor.
6. Lower the attachment lift arm fully and adjust the deck's position until you can pull out on the J-pin of the lift arm and slide it into the slot in the mounting bracket of the mower (Fig. 6).
7. On the driver's left-hand side, pull out the attachment lift J-pin and slide it into the slot on the other mower mounting bracket.

Thank you so much for reading.
Please click the “Buy Now!”
button below to download the
complete manual.



After you pay.

You can download the most
perfect and complete manual in
the world immediately.

Our support email:

ebooklibonline@outlook.com