

m-3519

# NEW HOLLAND

## 48" Side Discharge Mower

# OPERATOR'S MANUAL

For Garden Tractors  
Model No.  
715699006—T0BD0001 & Up



Publication Number:  
86602572 2/2000

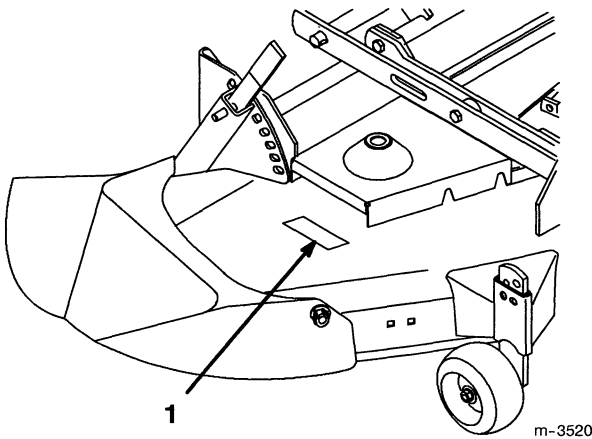
Reprinted

# Introduction

Thank you for purchasing a New Holland product.

All of us at New Holland want you to be completely satisfied with your new product, so feel free to contact your local Authorized Service Dealer for help with service, genuine replacement parts, or other information you may require.

Whenever you contact your Authorized Service Dealer or the factory, always know the model and serial numbers of your product. These numbers will help the Service Dealer or Service Representative provide exact information about your specific product. You will find the model and serial number plate located in a unique place on the product as shown below.



1. Model and Serial Number Plate

The warning system in this manual identifies potential hazards and has special safety messages that help you and others avoid personal injury, even death. **DANGER**, **WARNING** and **CAUTION** are signal words used to identify the level of hazard. However, regardless of the hazard, be extremely careful.

**DANGER** signals an extreme hazard that will cause serious injury or death if the recommended precautions are not followed.


**WARNING** signals a hazard that may cause serious injury or death if the recommended precautions are not followed.

**CAUTION** signals a hazard that may cause minor or moderate injury if the recommended precautions are not followed.

Two other words are also used to highlight information. "Important" calls attention to special mechanical information and "Note" emphasizes general information worthy of special attention.

The left and right side of the machine is determined by sitting on the seat in the normal operator's position.

For your convenience, write the product model and serial numbers in the space below.

 <b>NEW HOLLAND</b>	
MODEL NO.	SERIAL NO.
<b>COMPONENT</b>	
<b>NEW HOLLAND NORTH AMERICA, INC.</b>	
<small>MADE IN U.S.A.</small>	

# Contents

	<b>Page</b>		<b>Page</b>
Safety and Instruction Decals .....	2	Maintenance .....	18
Installation .....	3	Service Interval Chart .....	18
Loose Parts .....	3	Cutting Blade .....	19
Mower Preparation .....	3	Greasing and Lubrication .....	20
Installing the Mower .....	4	Checking PTO Drive Belt Tension .....	21
Attach the PTO Drive Belt .....	6	Extending PTO Drive Belt Life .....	21
Adjusting the Mower .....	9	Blade Drive Belt .....	22
Removing the Mower .....	11	Storage .....	22
Operation .....	14	Washing the Underside of the Mower .....	22
Side Discharge .....	14	Troubleshooting .....	24
Operating the Power Take Off (PTO) .....	14		
Attachment Lift Lever .....	15		
Adjusting the Front Wheels .....	15		
Check for Debris .....	16		
Tips for Mowing Grass .....	16		

## Safety and Instruction Decals

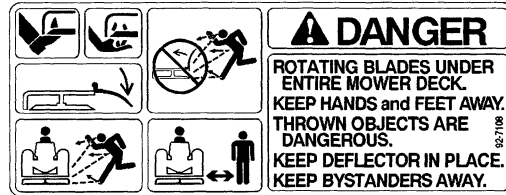


Safety decals and instructions are easily visible to the operator and are located near any area of potential danger. Replace any decal that is damaged or lost.

**ON DISCHARGE CHUTE**  
(Part No. TR93D1122)



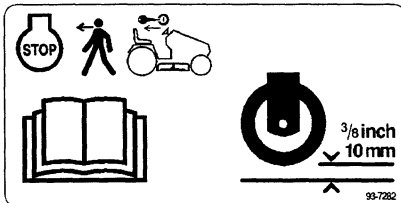
**(1) ON DECK RIGHT SIDE**  
**(1) ON DECK LEFT SIDE**  
(Part No. TR92D7108)



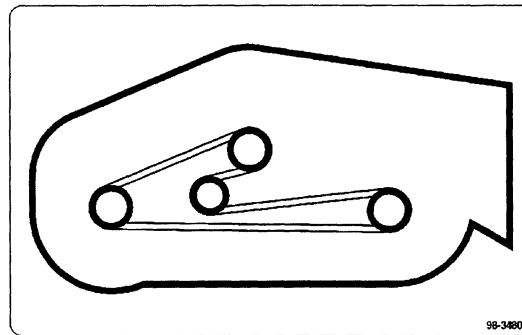
**(2) ON LEVELER BAR**  
(Part No. TR98D3478)



**NEXT TO FRONT WHEELS**  
(Part No. TR93D7282)



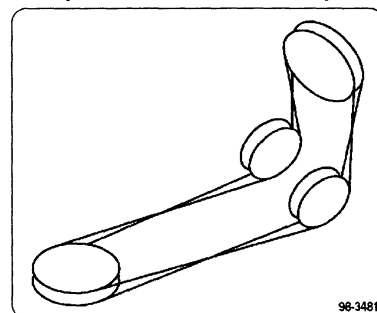
**ON MOWER REAR TOP**  
(Part No. TR98D3480)



**ON HEIGHT-OF-CUT BRACKET**  
(Part No. TR111655)



**ON MOWER RIGHT SIDE**  
(Part No. TR98D3481)



# Installation

## Loose Parts

**Note:** Use the chart below to identify parts used for assembly.

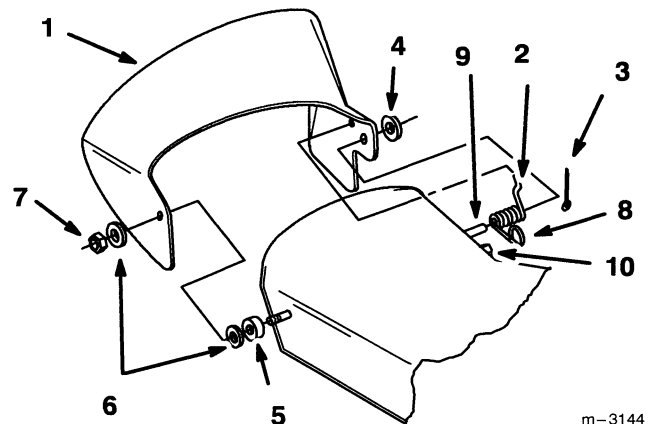
DESCRIPTION	QTY.	USE
Discharge chute	1	Install discharge chute
Nylon washer 3/8"	2	
Spring	1	
Rubber bushing	1	
Flat washer 1/2"	1	
Lock nut 3/8"	1	
Cotter pin 3/4"	1	
PTO drive belt	1	Install PTO drive belt
Pulley box	1	Install pulley box
Operator's Manual	1	Read before operating

## Mower Preparation

### Install the Discharge Chute

1. Locate the items shown (Fig. 1).
2. Place the short end of the spring into the small hole in the discharge chute.
3. Position the spring and discharge chute over the post on the rear of the deck and secure them with a 1/2" (13 mm) washer and a 3/4" (19 mm) cotter pin (Fig. 1).
4. Make sure the loop in the spring slides over the stud on the mower housing.
5. Slide the rubber bushing and nylon washer over the stud at the front of the mower.
6. Place the discharge chute over the stud and secure it with a second nylon washer and 3/8" lock nut (Fig. 1). The lock nut must be tightened flush with the end of the stud.

**IMPORTANT:** The discharge chute must be spring loaded in the down position. Lift the chute up to test that it snaps to the full down position.



**Figure 1**

- |                            |                           |
|----------------------------|---------------------------|
| 1. Discharge chute         | 6. Plastic washer         |
| 2. Spring                  | 7. Jam nut 3/8"           |
| 3. Cotter pin 3/4" (19 mm) | 8. Loop in spring         |
| 4. Washer 1/2" (13 mm)     | 9. Post on mower housing  |
| 5. Rubber bushing          | 10. Stud on mower housing |

m-3144

**! DANGER**

**POTENTIAL HAZARD**

- Without the discharge chute or the complete grass catcher assembly mounted in place, you and others are exposed to blade contact and thrown debris.

**WHAT CAN HAPPEN**

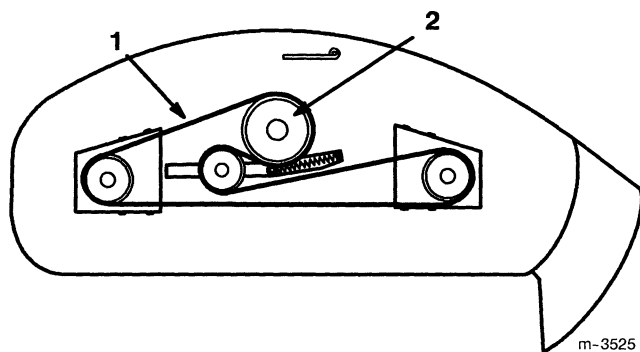
- Contact with rotating mower blade(s) and thrown debris will cause injury or death.

**HOW TO AVOID THE HAZARD**

- NEVER remove the discharge chute from the mower because the discharge chute routes material down toward the turf. If the discharge chute is ever damaged, replace it immediately. Never put your hands or feet under the mower.
- Never try to clear the discharge area or mower blades unless you move the power take off (PTO) to "OFF" and turn the ignition key to "STOP." Also remove the ignition key and pull the wire(s) off the spark plug(s).

**Mower Belt Routing**

1. Route the mower belt as shown in Fig. 2. Be sure to install the belt on the lower mower deck pulley.



**Figure 2**

Top View

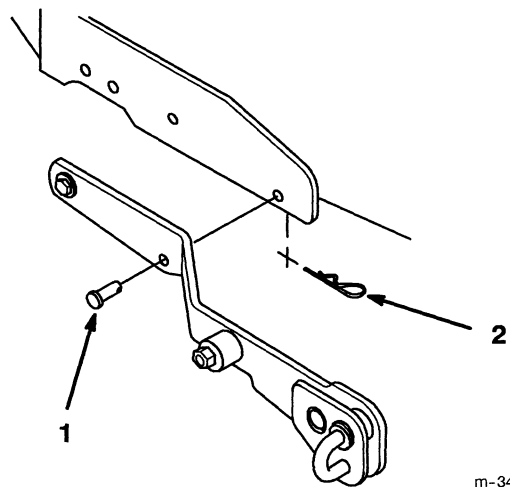
1. Mower belt
2. Mower deck pulley

**Installing the Mower**

**Initial Preparation**

The mower is most easily installed when done on a level concrete surface. Rougher dirt or lawn surfaces make installation more difficult.

1. Position the tractor and mower side by side, with the mower on the right-hand side of the tractor.
2. Set the parking brake, raise the attachment lift, and turn the ignition key to "STOP" to stop the engine. Remove the ignition key.
3. If you have previously had a snowthrower, blade or tiller attached to the attachment lift, remove the two clevis pins on each side of the attachment lift (Fig. 3).



**Figure 3**

1. Clevis pin
2. Hairpin cotter

4. Attach the pulley box if it is not already on the tractor. Make sure the latches on the tractor's front Quick Attach are open (Fig. 4). Then slide the pulley box into the Quick Attach latches and seat it. Close the latches.

Thank you so much for reading.  
Please click the “Buy Now!”  
button below to download the  
complete manual.



After you pay.

You can download the most  
perfect and complete manual in  
the world immediately.

Our support email:

[ebooklibonline@outlook.com](mailto:ebooklibonline@outlook.com)