

m-3468

NEW HOLLAND

52" Side Discharge Mower

For Lawn and Garden Tractors
Model No.
715700006 – T0BE0001 & Up

OPERATOR'S MANUAL



NEW HOLLAND

SERVICE

Publication Number:
86602573 2/2000

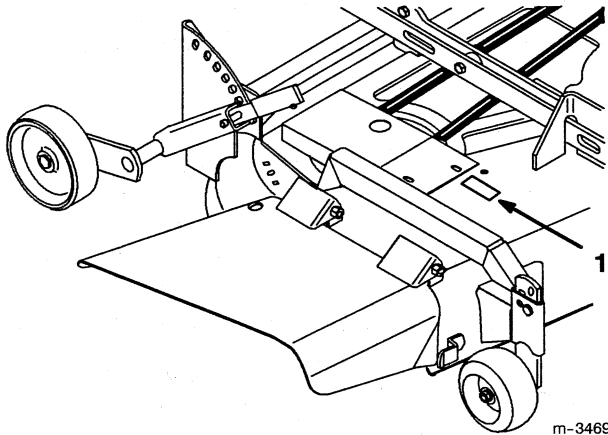
Reprinted

Introduction

Thank you for purchasing a New Holland product.


All of us at New Holland want you to be completely satisfied with your new product, so feel free to contact your local Authorized Service Dealer for help with service, genuine replacement parts, or other information you may require.

Whenever you contact your Authorized Service Dealer or the factory, always know the model and serial numbers of your product. These numbers will help the Service Dealer or Service Representative provide exact information about your specific product. You will find the model and serial number plate located in a unique place on the product as shown below.



1. Model and Serial Number Plate

For your convenience, write the product model and serial numbers in the space below.

 NEW HOLLAND	
MODEL NO.	SERIAL NO.
COMPONENT	
NEW HOLLAND NORTH AMERICA, INC.	
<small>MADE IN U.S.A.</small>	

The warning system in this manual identifies potential hazards and has special safety messages that help you and others avoid personal injury, even death. **DANGER**, **WARNING** and **CAUTION** are signal words used to identify the level of hazard. However, regardless of the hazard, be extremely careful.

DANGER signals an extreme hazard that will cause serious injury or death if the recommended precautions are not followed.

WARNING signals a hazard that may cause serious injury or death if the recommended precautions are not followed.

CAUTION signals a hazard that may cause minor or moderate injury if the recommended precautions are not followed.

Two other words are also used to highlight information. "Important" calls attention to special mechanical information and "Note" emphasizes general information worthy of special attention.

The left and right side of the machine is determined by sitting on the seat in the normal operator's position.



52" Deck Adapter Kit

Part No. TR104D2474

**INSTALLATION
INSTRUCTIONS**

Loose Parts

Note: Use the chart below to identify parts for assembly.

DESCRIPTION	QTY.	USE
Wheel Carrier	1	Install New Wheel Carrier
Lift Arm	1	
Link Pin	1	
Flat Washer	3	
Hair Pin	1	
Cotter Pin	4	
Flat Washer	1	
Rear Link Bracket	1	Install Link Bracket
Deck Upstop	1	Install Deck Upstop

This kit is used on Lawn and Garden Tractors.

This kit is for installing 52" mower decks, models 1999 and earlier, to year 2000 tractors.

Removing Existing Wheel Carrier

1. Remove existing wheel carrier from deck. Save hardware for installing new wheel carrier (Fig. 1).
2. Remove gage wheels from the existing wheel carrier (Fig. 1). Save gage wheels.

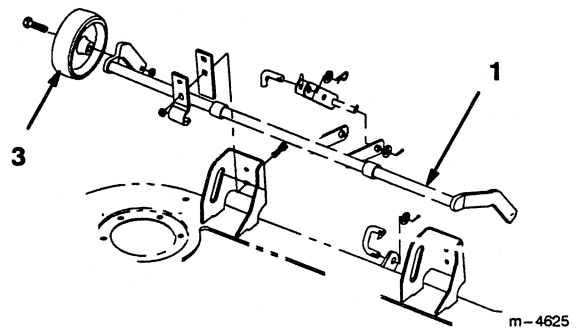


Figure 1

1. Wheel carrier

2. Gage wheels

Installing New Wheel Carrier

1. Install gage wheels to new wheel carrier (Fig. 2).

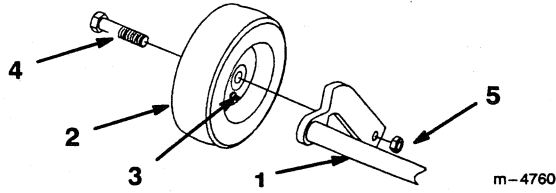


Figure 2

- | | |
|----------------------|------------------|
| 1. Wheel Carrier | 4. Shoulder bolt |
| 2. Wheel | 5. Lock nut 3/8" |
| 3. Grease fitting in | |

2. Install new lift arm to wheel carrier with washer and cotter pin (Fig. 3). Make sure the long side of pin is on the left side.

Note: Ensure that the longer side of lift arm pin is on the left side (Fig. 3).

3. Install new wheel carrier to deck (Fig. 3). Make sure the long side of pin is on the left side.

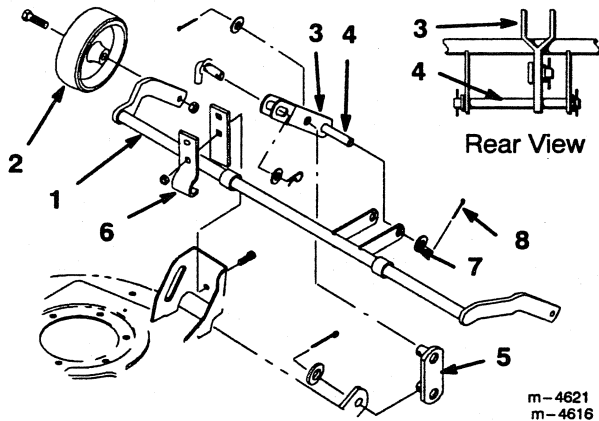


Figure 3

- | | |
|---|------------------|
| 1. Wheel carrier | 5. Link Bracket |
| 2. Gage wheels | 6. Pivot Bracket |
| 3. Lift Arm (Install with long side of pin on left) | 7. Washer |
| 4. Lift Arm Pin - Long part on left side | 8. Cotter Pin |

Installing Link Bracket

1. Install link bracket that connects to lift arm and deck (Fig. 4). Install using washers and cotter pins.

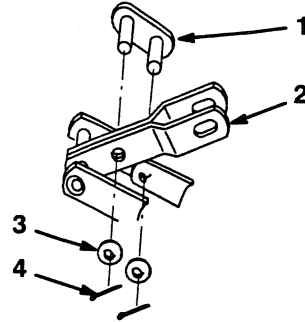


Figure 4

- | | |
|-----------------|---------------|
| 1. Link Bracket | 3. Washer |
| 2. Lift Arm | 4. Cotter Pin |

Installing Deck Upstop

The correct upstop to use is included in this kit. Refer to figure 5 to ensure you use the correct upstop.

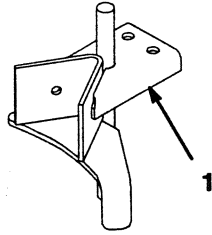


Figure 5

m-4618

1. Correct Upstop- Used on Domestic Tractors

1. Remove the existing upstop from the tractor that is located under the engine.

IMPORTANT: Do not remove the clutch.

2. Using upstop from kit, install upstop and J-clip onto tractor (Fig. 6).

IMPORTANT: Use the upstop included with kit.

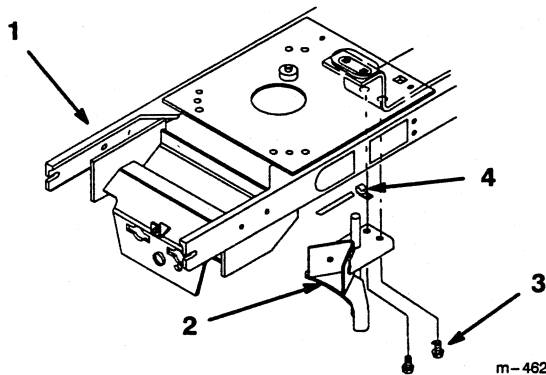


Figure 6

m-4622

- | | |
|------------------|-----------|
| 1. Tractor Frame | 3. Bolt |
| 2. Upstop | 4. J-Clip |

Installing Deck

To install deck to tractor, refer to your deck operator's manual when installing.

IMPORTANT: Use the new link pin included with kit when installing deck (Fig 7).

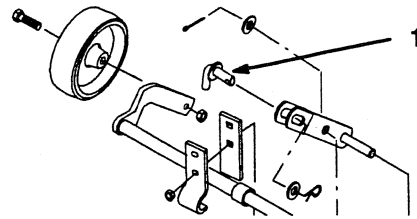


Figure 7

m-4616

1. Link Pin

Leveling Deck

After the deck is installed it must be leveled. Refer to your deck operator's manual.

Thank you so much for reading.
Please click the “Buy Now!”
button below to download the
complete manual.



After you pay.

You can download the most
perfect and complete manual in
the world immediately.

Our support email:

ebooklibonline@outlook.com