

m-3574

NEW HOLLAND

60" Side Discharge Mower

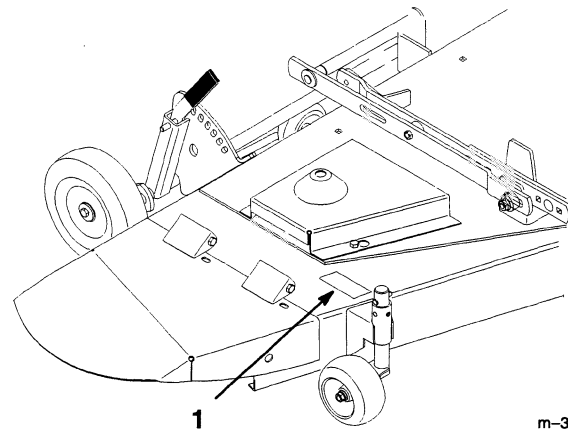
For Garden Tractors
Model No.
715667006 – T0BG0001 & Up

OPERATOR'S MANUAL



Contents

	Page
Introduction	2
Safety and Instruction Decals	3
Installation	3
Loose Parts	3
Mower Preparation	4
Installing the Mower	4
Adjusting the Height of Cut	9
Checking the Mower Level	9
Adjusting the Blade Slope for Transport	11
Removing the Mower	11
Operation	14
Side Discharge	14
Operating the Power Take Off (PTO)	14
Attachment Lift Lever	14
Adjusting the Front Wheels	15
Check for Debris	15
Tips for Mowing Grass	15
Maintenance	16
Service Interval Chart	16
Cutting Blade	17
Greasing and Lubrication	18
Checking PTO Drive Belt Tension	19
Extending PTO Drive Belt Life	19
Blade Drive Belt	20
Storage	20
Troubleshooting	21



m-3569

1. Model and Serial Number Plate

For your convenience, write the product model and serial numbers in the space below.

Model No:	_____
Serial No.	_____

The warning system in this manual identifies potential hazards and has special safety messages that help you and others avoid personal injury, even death. **DANGER**, **WARNING** and **CAUTION** are signal words used to identify the level of hazard. However, regardless of the hazard, be extremely careful.

DANGER signals an extreme hazard that will cause serious injury or death if the recommended precautions are not followed.

WARNING signals a hazard that may cause serious injury or death if the recommended precautions are not followed.

CAUTION signals a hazard that may cause minor or moderate injury if the recommended precautions are not followed.

Two other words are also used to highlight information. “Important” calls attention to special mechanical information and “Note” emphasizes general information worthy of special attention.

The left and right side of the machine is determined by sitting on the seat in the normal operator’s position.

Introduction

We want you to be completely satisfied with your new product, so feel free to contact your local Authorized Service Dealer for help with service, genuine replacement parts, or other information you may require.

Whenever you contact your Authorized Service Dealer or the factory, always know the model and serial numbers of your product. These numbers will help the Service Dealer or Service Representative provide exact information about your specific product. You will find the model and serial number plate located in a unique place on the product as shown below.

Safety and Instruction Decals



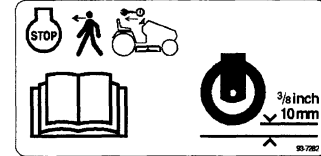
Safety decals and instructions are easily visible to the operator and are located near any area of potential danger. Replace any decal that is damaged or lost.



On the Discharge Chute
(Part No. TR93D1122)



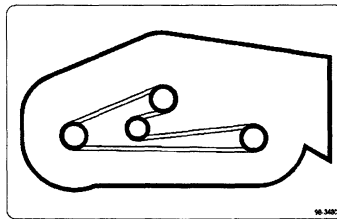
One on the Discharge Chute and
One on the Left side of the Mower
(Part No. TR92D7108)



Next to the Front Wheels
(Part No. TR93D7282)



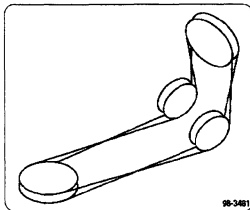
Two on the Leveler Bar
(Part No. TR98D3478)



On the Top, Rear of the Mower
(Part No. TR98D3480)



On the Height-of-Cut Bracket
(Part No. TR111655)



On the Right Side of the Mower
(Part No. TR98D3481)

Installation

Loose Parts

Use the chart below to identify parts used for assembly.

DESCRIPTION	QTY.	USE
Discharge chute	1	Install discharge chute
Spring	2	
Bolt 3/8–24 x 3–1/2"	2	
Lock nut 3/8"	2	
PTO drive belt	1	Install PTO drive belt
Pulley box	1	Install pulley box

Mower Preparation

Install the Discharge Chute

1. Place the springs into the brackets on the mower with the hooked ends over the raised back of the bracket (Fig. 1).
2. Align the discharge chute with the holes in the brackets and the spring straight ends in the space under the hinge and above the chute (Fig. 1).
3. Secure the chute to the bracket with bolts through the discharge chute, springs, and brackets. Secure them with locknuts (Fig. 1).
4. Lift the discharge chute and check that it is spring loaded and snaps freely to the full down position.

IMPORTANT: The discharge chute must be spring loaded in the down position.

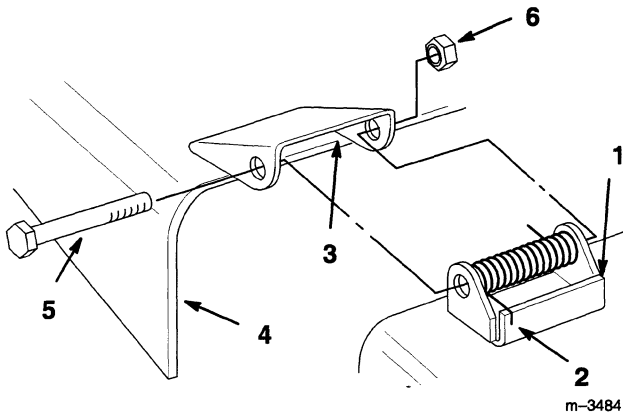


Figure 1

- | | |
|---------------------|--------------------|
| 1. Bracket | 4. Discharge chute |
| 2. Spring hook end | 5. Bolt |
| 3. Space for spring | 6. Lock nut |



DANGER



POTENTIAL HAZARD

- Without the discharge chute mounted in place, you and others are exposed to blade contact and thrown debris.

WHAT CAN HAPPEN

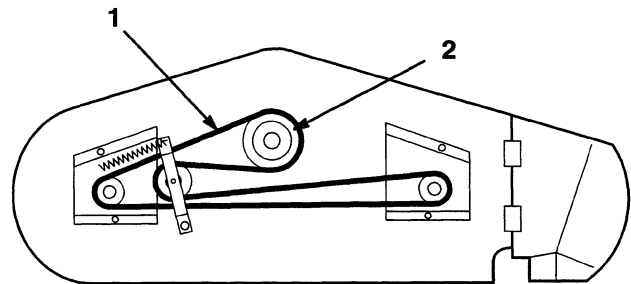
- Contact with rotating mower blade(s) and thrown debris will cause injury or death.

HOW TO AVOID THE HAZARD

- Do not remove the discharge chute from the mower because the discharge chute routes material down toward the turf. If the discharge chute is ever damaged, replace it immediately. Never put your hands or feet under the mower.
- Do not try to clear the discharge area or mower blades unless you move the power take off (PTO) to "OFF" and turn the ignition key to "STOP." Also, remove the ignition key and pull the wire(s) off the spark plug(s).

Mower Belt Routing

1. Route the mower belt as shown in Fig. 2. Be sure to install the belt on the lower mower pulley.



m-3573

Figure 2

Top View

- | | |
|---------------|-----------------|
| 1. Mower belt | 2. Mower pulley |
|---------------|-----------------|

Installing the Mower

Initial Preparation

The mower must be installed on a level concrete surface. Rough dirt or lawn surfaces make installation much more difficult.

1. Place the height-of-cut lever on the mower to the position for lowest cut (Fig. 3).

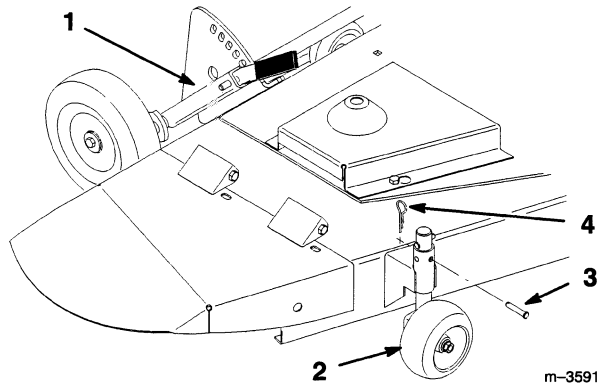


Figure 3

- | | |
|-----------------------------------------|-------------------|
| 1. Height-of-cut lever position | 3. Clevis pin |
| 2. Front mower wheels parallel to mower | 4. Hairpin cotter |

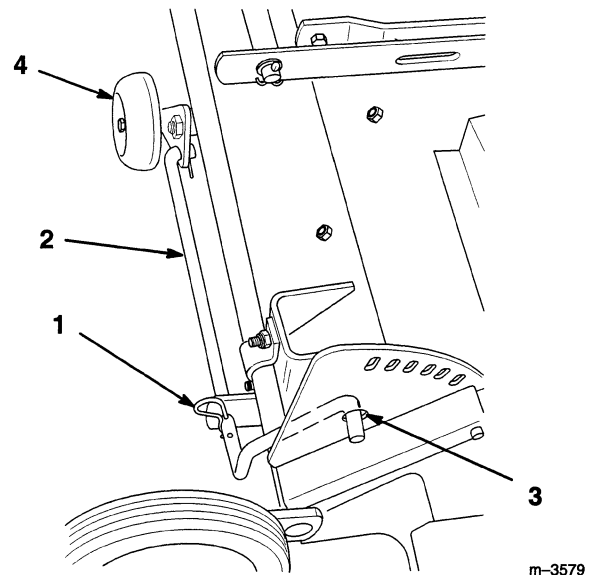


Figure 4

- | | |
|-------------------|--------------------------------|
| 1. Hairpin cotter | 3. Hole in height-of-cut plate |
| 2. Wheel rod | 4. Rear center wheel |

2. Lower the rear center wheel (if not already lowered), using the following procedure:
 - A. Removing the hairpin cotter from the wheel rod (Fig. 4).
 - B. Lifting the rear of the mower.
 - C. Pull the rod toward the outside of the mower, insert the end of the rod into the hole in the height-of-cut plate, and install the hairpin cotter into the second hole of the wheel rod (Fig. 4).

3. Set the height of the two front mower wheels and turn the wheels parallel to the mower by removing the clevis pins and hairpin cottes, then turning and raising or lowering the wheels until you can put the clevis pins and hairpin cottes in the third position from the top (Fig. 3).
4. Position the tractor and mower side by side, with the mower on the right-hand side of the tractor.
5. Set the parking brake, raise the attachment lift, stop the engine, and remove the ignition key.
6. If you have previously had a snowthrower, blade, or tiller attached to the attachment lift, remove the two clevis pins on each side of the attachment lift (Fig. 5).

Thank you so much for reading.
Please click the “Buy Now!”
button below to download the
complete manual.



After you pay.

You can download the most
perfect and complete manual in
the world immediately.

Our support email:

ebooklibonline@outlook.com