

m-3359

NEW HOLLAND

48" Blade

For Garden Tractors
Model No.
716506006 – T0BM0001 & Up

OPERATOR'S MANUAL



NEW HOLLAND

SERVICE

Contents

	Page
Introduction	2
Installation	3
Loose Parts	3
Assembling the Blade	3
Tractor Set-up	4
Installing the Blade to the Tractor	5
Removing the Blade	8
Operation	8
Attachment Lift Lever	8
Adjusting the Blade Angle	9
Adjusting the Blade Trip Springs	10
Tips for Using the Blade	10
Maintenance	10
Service Interval Chart	10
Greasing and Lubrication	11
Reversing the Scraper Blade	11
Storage	12

For your convenience, write the product model and serial numbers in the space below.

Model No.: _____

Serial No. _____

The warning system in this manual identifies potential hazards and has special safety messages that help you and others avoid personal injury, even death. **DANGER**, **WARNING** and **CAUTION** are signal words used to identify the level of hazard. However, regardless of the hazard, be extremely careful.

DANGER signals an extreme hazard that will cause serious injury or death if the recommended precautions are not followed.

WARNING signals a hazard that may cause serious injury or death if the recommended precautions are not followed.

CAUTION signals a hazard that may cause minor or moderate injury if the recommended precautions are not followed.

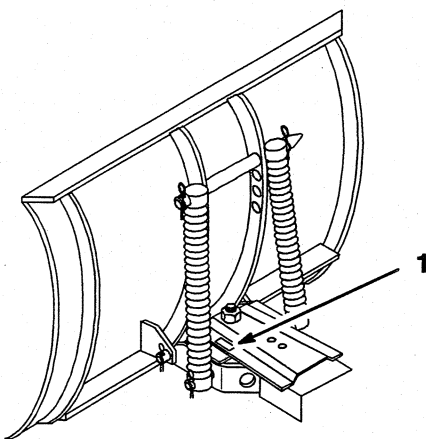
Two other words are also used to highlight information. "Important" calls attention to special mechanical information and "Note" emphasizes general information worthy of special attention.

The left and right side of the machine is determined by sitting on the seat in the normal operator's position.

Introduction

We want you to be completely satisfied with your new product, so feel free to contact your local Authorized Service Dealer for help with service, genuine replacement parts, or other information you may require.

Whenever you contact your Authorized Service Dealer or the factory, always know the model and serial numbers of your product. These numbers will help the Service Dealer or Service Representative provide exact information about your specific product. You will find the model and serial number plate located in a unique place on the product as shown below.



m-1237

1. Model and Serial Number Plate

48" Dozer Blade Adapter Kit

PART NO. 100-6067
PART NO. TR100D6067

INSTALLATION INSTRUCTIONS

Loose Parts

Note: Use the chart below to identify parts for assembly.

DESCRIPTION	QTY.	USE
Blade Bracket Assembly	1	Select air hose and mounting bracket
Rod	1	

IMPORTANT: This kit is for installing dozer blades, built before year 2000, to tractors built in the year 2000.

Removing Existing Blade Bracket

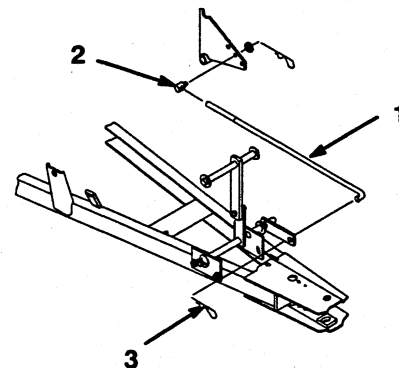
1. Remove the existing blade bracket from the dozer assembly (Fig. 2).
2. Remove the existing handle latches from the existing blade bracket (Fig. 2).

Removing Rod

1. Remove the hair pin that attaches the rod to lift arm (Fig. 1).
2. Unthread the rod out of the stud trunion (Fig. 1).

Installing New Rod

1. Thread the rod into the stud trunion (Fig. 1).
2. Install the hair pin that attaches the rod to lift arm (Fig. 1).



m-4669

Figure 1

- | | |
|------------|-------------|
| 1. Rod | 3. Hair Pin |
| 2. Trunion | |

Installing New Blade Bracket

1. Install the existing handle latches to the new blade bracket (Fig. 2).
2. Install new blade bracket to mounting bracket (Fig. 2).

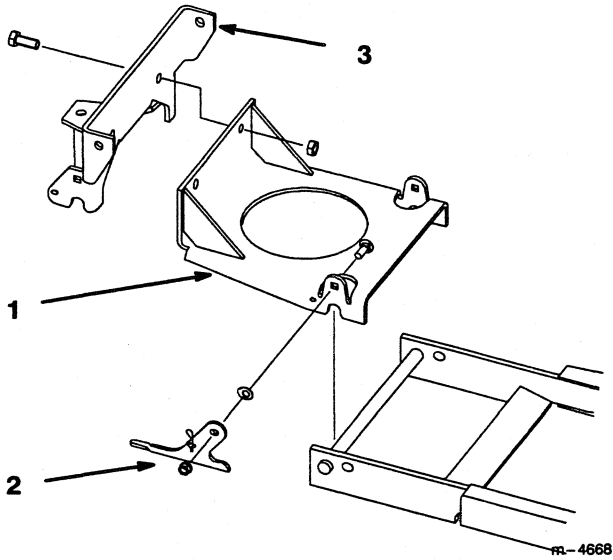


Figure 2

- | | |
|-------------------|---------------------|
| 1. Blade Bracket | 3. Mounting Bracket |
| 2. Handle Latches | |
-

Installation

Loose Parts

Note: A rear-mount quick attach, which must be purchased separately, is required for this blade. Use the chart below to identify other parts used for assembly.

Note: Skids are available for the blade. They can be useful on rough or broken surfaces to keep the blade above the ground. Contact your authorized Toro dealer for more information.

DESCRIPTION	QTY.	USE
Blade assembly	1	Assembling the blade
Rod	1	
Cotter pin, 1-1/4 in. (30 mm)	1	
Frame assembly	1	
Bolt, 3/4-16 x 3-3/4 in. (95 mm)	1	
Lock nut, 3/4 in.	1	
Control handle	1	
Cable	1	
Angle control rod	1	
Cable bracket	1	
Hairpin cotter—large	1	
Cotter pin, 1 in. (25 mm)	3	
Lift link—slotted	1	Attaching the center of the blade frame to the tractor
Lift link—two hole	1	
Clevis pin, 3/8 x 1 in. (25 mm)	2	
Clevis pin, 3/8 x 3/4 in. (19 mm)	2	
Hairpin cotter—medium	2	
Stabilizer	1	Attaching the stabilizer
Bolt, 5/16 x 1-1/4 in. (32 mm)	1	
Locknut, 5/16 in.	1	
Clevis pin, 3/8 x 1 in. (25 mm)	2	Preparing the tractor attachment lift
Hairpin cotter—small	2	

Assembling the Blade

1. Lift and rotate the channel assembly so its holes align with the lower blade mounts. Slide the rod through the holes and secure it with two 1 in. (26 mm) cotter pins (Fig. 1). Bend the ends of the cotter pins to secure the rod.

Thank you so much for reading.
Please click the “Buy Now!”
button below to download the
complete manual.



After you pay.

You can download the most
perfect and complete manual in
the world immediately.

Our support email:

ebooklibonline@outlook.com