

m-3639

NEW HOLLAND

50" Mid-Mount Blade

OPERATOR'S MANUAL

For Lawn and Garden Tractors
Model No. 716507006—
T8BN0001-T0BN0001 & Up



NEW HOLLAND

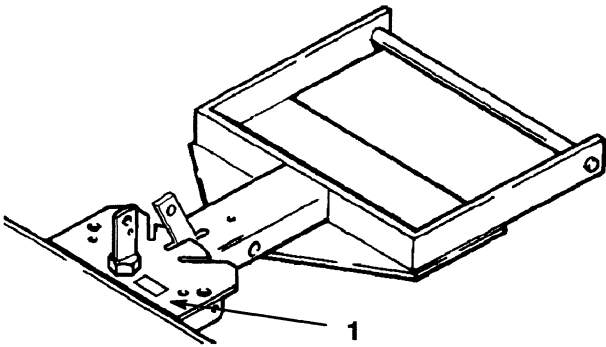
SERVICE

Introduction

Thank you for purchasing a New Holland product.

All of us at New Holland want you to be completely satisfied with your new product, so feel free to contact your local Authorized Service Dealer for help with service, genuine replacement parts, or other information you may require.


Whenever you contact your Authorized Service Dealer or the factory, always know the model and serial numbers of your product. These numbers will help the Service Dealer or Service Representative provide exact information about your specific product. You will find the model and serial number plate located in a unique place on the product as shown below.



m-2799

1. Model and Serial Number Plate

For your convenience, write the product model and serial numbers in the space below.

 NEW HOLLAND	
MODEL NO.	SERIAL NO.
COMPONENT	
NEW HOLLAND NORTH AMERICA, INC.	
<small>MADE IN U.S.A.</small>	

Read this manual, and all related equipment manuals, carefully to learn how to operate and maintain your product correctly. Reading this manual will help you and others avoid personal injury and damage to the product. Although we design, produce and market safe, state-of-the-art products, you are responsible for using the product properly and safely. You are also responsible for training persons, who you allow to use the product, about safe operation.

The warning system in this manual identifies potential hazards and has special safety messages that help you and others avoid personal injury, even death. **DANGER**, **WARNING** and **CAUTION** are signal words used to identify the level of hazard. However, regardless of the hazard, be extremely careful.

DANGER signals an extreme hazard that will cause serious injury or death if the recommended precautions are not followed.

WARNING signals a hazard that may cause serious injury or death if the recommended precautions are not followed.

CAUTION signals a hazard that may cause minor or moderate injury if the recommended precautions are not followed.

Two other words are also used to highlight information. “Important” calls attention to special mechanical information and “Note” emphasizes general information worthy of special attention.

The left and right side of the machine is determined by sitting on the seat in the normal operator’s position.

Contents

	Page		Page
Installation	2	Operation	7
Loose Parts	2	Attachment Lift Lever	7
Assembling the Blade	3	Adjusting the Blade Angle	8
Tractor Set-up	3	Tips for Using the Blade	8
Installing the Blade to the Tractor	4	Maintenance	9
Removing the Blade	6	Lubrication	9
		Storage	9

Installation

Loose Parts

Note: A rear-mount quick attach, which must be purchased separately, is required for this blade. Use the chart below to identify other parts used for assembly.

DESCRIPTION	QTY.	USE
Blade	1	Assemble blade to blade frame
Blade frame	1	
Pivot bolt	1	
Washer	1	
Locknut, 3/4 in.	1	
Handle	1	Assemble handle to frame
Washer 3/4 in. (19 mm)	2	
Cotter pin 1-1/4 in. (32 mm)	1	
Latch link	1	
Bolt 3/8-16 x 1-1/2 in. (38 mm)	1	
Bolt 3/8-16 x 1 in. (25 mm)	1	
Locknut 3/8 in.	2	
Jam nut 3/8 in.	1	
Spring	1	
Clevis pin	2	Prepare tractor attachment lift
Hairpin cotter	2	
Lift link	1	Install lift link to tractor
Hairpin cotter	2	

Thank you so much for reading.
Please click the “Buy Now!”
button below to download the
complete manual.



After you pay.

You can download the most
perfect and complete manual in
the world immediately.

Our support email:

ebooklibonline@outlook.com