

NEW HOLLAND

TJ275

TJ325

TJ375

TJ425

TJ450

TJ500

P.I.N. RVS003801 and after

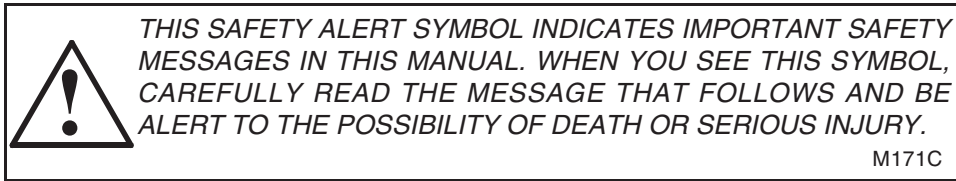
87050659

5/04

OPERATOR'S MANUAL






NEW HOLLAND



If Safety Decals on this machine use the words **Danger, Warning or Caution**, which are defined as follows:

- **DANGER:** Indicates an immediate hazardous situation that, if not avoided, will result in death or serious injury. The color associated with Danger is RED.
- **WARNING:** Indicates a potentially hazardous situation that, if not avoided, could result in death or serious injury. The color associated with Warning is ORANGE.
- **CAUTION:** Indicates an potentially hazardous situation that, if not avoided, may result in minor or moderate injury. It may also be used to alert against unsafe practices. The color associated with Caution is YELLOW.

If Safety Decals on this machine are ISO two panel pictorial, decals are defined as follows:

- The first panel indicates the nature of the hazard.
- The second panel indicates the appropriate avoidance of the hazard.
- Background color is YELLOW.
- Prohibition symbols such as   and  if used, are RED.



WARNING

IMPROPER OPERATION OF THIS MACHINE CAN CAUSE DEATH OR SERIOUS INJURY. BEFORE USING THIS MACHINE, MAKE CERTAIN THAT EVERY OPERATOR:

- Is instructed in safe and proper use of the machine.
- Reads and understands the Manual(s) pertaining to the machine.
- Reads and understands ALL Safety Decals on the machine.
- Clears the area of other persons.
- Learns and practices safe use of machine controls in a safe, clear area before operating this machine on a job site.

It is your responsibility to observe pertinent laws and regulations and follow CNH America LLC instructions on machine operation and maintenance.

TABLE OF CONTENTS

1-TO THE OWNER	1
PRODUCT IDENTIFICATION AND SERIAL NUMBERS	3
CHEMICAL TANK MOUNTING	7
BUSINESS BAND RADIOS	8
2-SAFETY/DECALS	11
PERSONAL SAFETY ALERT	11
SAFETY	12
INSTRUCTIONAL SEAT SAFETY	15
MAINTENANCE SAFETY	16
FIRE SAFETY	16
BATTERY SAFETY	17
MACHINE OPERATION AND ROLL-OVER SAFETY	17
HAZARDOUS CHEMICALS	18
SAFETY DECALS	19
ROLL OVER PROTECTIVE STRUCTURE (ROPS)	25
SEAT BELTS	27
TRACTOR WARNING LAMPS AND SMV SYMBOL	28
IMPLEMENT WARNING LAMPS AND SMV SYMBOL	29
SAFETY CHAIN	29
3-OPERATING CONTROLS	31
TRACTOR ACCESS	31
OPERATOR'S SEAT WITH AIR SUSPENSION	33
STEERING COLUMN CONTROLS	37
STEERING COLUMN ADJUSTMENT	38
FOOT PEDALS	39
CENTER CONSOLE CONTROLS	40
RH ARMREST CONTROL CONSOLE	42
REMOTE VALVE FUNCTION CONTROL	45
ARMREST CONTROL CONSOLE ADJUSTMENT (IF EQUIPPED)	51
UPPER CONSOLE CONTROLS	51
HVAC CONTROL SYSTEM	55
HVAC SYSTEM ICU DISPLAY DETAILS	58
4-INSTRUMENTATION	65
ROPS POST INSTRUMENT CLUSTER	65
PROGRAMMING THE DISPLAY MONITOR	70
CHANGING U.S. STANDARD OR METRIC DISPLAY UNITS	70
CHANGING TIRE RADIUS	71
TIRE AVERAGE ROLLING RADIUS CHART	72
DYNAMIC ROLLING RADIUS	72
RADAR SENSOR CALIBRATION	73
RADAR CALIBRATION PROCEDURE	73
OLD HOURS	74
OPERATOR ADJUSTED MENU PROGRAM	75
WARNING/FAULT DISPLAYS	77
CRITICAL WARNING DISPLAYS - LEVEL 1	77
NON-CRITICAL DISPLAYS	78
5-OPERATING INSTRUCTIONS	93
BEFORE STARTING THE ENGINE	93
RUN-IN PROCEDURE	93
ENGINE OVERSPEED	94
SEAT BELT	94
NORMAL ENGINE STARTING PROCEDURE	95
STOPPING THE ENGINE	97
COLD TEMPERATURE OPERATION	98
TOWING THE TRACTOR	102

TRANSPORTING THE TRACTOR	103
POWERSHIFT TRANSMISSION OPERATION	104
24-SPEED TRANSMISSION OPERATION (IF EQUIPPED)	108
DIFFERENTIAL LOCK	110
CONSTANT ENGINE SPEED OPERATION (IF EQUIPPED)	111
6-FIELD OPERATION	113
OPERATING THE POWER TAKEOFF (PTO)	115
STANDARD DRAWBAR	117
THREE POINT HITCH PREPARATION	122
HITCH COUPLER - CATEGORY III OR IV-N	127
HITCH OPERATION	131
REMOTE HYDRAULICS	138
AUXILIARY IMPLEMENT POWER CONNECTIONS	149
7-IN FIELD PERFORMANCE	153
TRACTOR BALLAST	153
FRONT AND REAR SUITCASE WEIGHTS	159
FRONT SUITCASE WEIGHT, TIE BOLT AND CLAMP INSTALLATION	160
WHEEL WEIGHTS	162
WHEEL WEIGHT BOLT TORQUE	162
TIRE AND RIM SERVICE	163
TIRE PRESSURE FOR MAXIMUM TIRE LOAD AT RATED INFLATION	166
WHEEL BOLT TORQUES	170
WHEEL OFFSET DIRECTION CHANGE	170
SCRAPER OPERATING PROCEDURES	181
8-LUBRICATION/FILTERS/FLUIDS/MAINTENANCE	183
LUBRICATION AND MAINTENANCE	183
PLASTIC AND RESIN PARTS	183
LUBRICANTS AND CAPACITIES	183
ENGINE LUBRICATION	184
GRILLE AND HOOD ACCESS	187
ACCESS TO BATTERIES AND HYDRAULIC FILTER	189
LUBRICATION AND MAINTENANCE CHART	190
AIR INDUCTION SYSTEM	213
9-ELECTRICAL SYSTEM	233
SPECIFICATIONS	233
GENERAL SERVICE INFORMATION	241
DIESEL ENGINE	243
10-SPECIFICATIONS	243
TRACTOR WEIGHTS	246
APPROXIMATE TRAVEL SPEEDS (MPH)	247
APPROXIMATE TRAVEL SPEEDS (KPH)	248
APPROXIMATE TRAVEL SPEEDS (MPH)	249
APPROXIMATE TRAVEL SPEEDS (KPH)	250
APPROXIMATE TRAVEL SPEEDS (MPH)	251
APPROXIMATE TRAVEL SPEEDS (MPH)	252
APPROXIMATE TRAVEL SPEEDS (KPH)	253
APPROXIMATE OVERALL MEASUREMENTS	254
DETAIL INDEX	255
DELIVERY REPORT	261
DELIVERY REPORT	263
FIRST 50-HOUR SERVICE	265
FIRST 50-HOUR SERVICE	267

GENERAL INFORMATION

INTRODUCTION TO THIS MANUAL

This manual contains important information about the safe operation, adjustment and routine maintenance of your New Holland TJ Series Tractors. The manual is divided into ten sections as outlined in the General Table of Contents Page(s). Refer to the Detail Index at the end of this manual for locating specific items about your tractor.

Use this manual as a guide. Your tractor will remain a reliable working machine as long as it is kept in good working condition and serviced properly.

Read this manual before you start the engine or operate this tractor. If any information in this manual is not understood, or if you need more information or assistance, contact your dealer.

All persons training to operate, or who will be operating this tractor, should be old enough to possess a valid local vehicle operating permit (or other applicable local age requirement) and must have demonstrated the ability to operate and service the tractor correctly and safely.

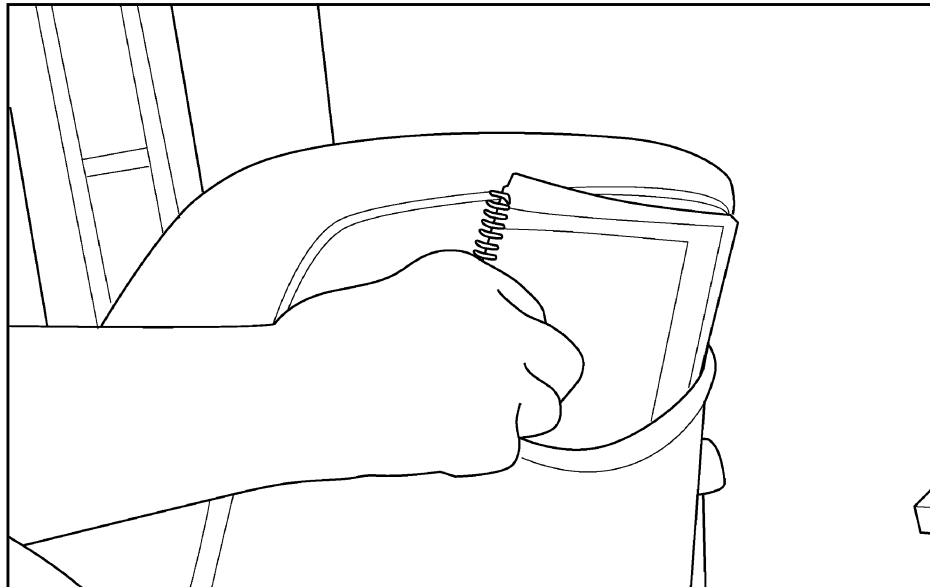
If your tractor requires replacement parts, do not use unauthorized parts or substitute materials. New Holland dealers stock approved service parts and have technicians with special training that know the best methods of repair and maintenance for your tractor.

STATEMENT OF TRACTOR INTENDED USE

The New Holland TJ Series Tractor, with standard equipment and authorized attachments, is intended to be used for customary farming, land leveling and related agriculture operations.

Installation of utility (dozer) blades, front loaders or push bars on the tractor is not recommended. Any tractor damage resulting from the installation and/or use of such equipment is not covered by the tractor warranty. The TJ 500 Model tractors are NOT approved for field installed three point hitch or for scraper operations.

OPERATOR MANUAL STORAGE COMPARTMENT



MK99H025

DO NOT permit anyone to operate or service this tractor until you or other operators have read this manual. The Operators Manual is a part of your tractor and must be available to all operators.

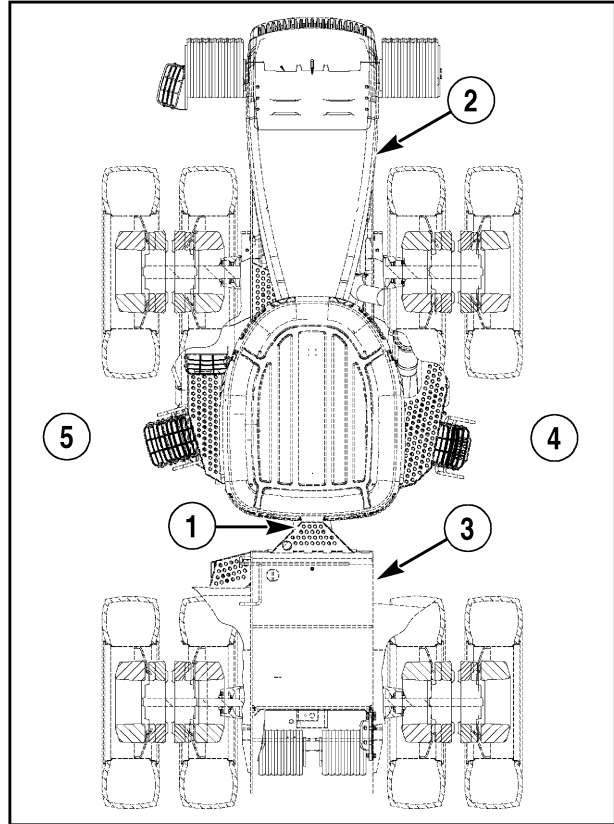
Make sure the manual is complete and in good condition. Store the Operators Manual and other important tractor information in the storage compartment provided on the rear side of the seat backrest.

TRACTOR ORIENTATION

The TJ Series New Holland Tractor is classified as a four-wheel drive articulating vehicle. The standard tractor consists of front and rear frame assemblies that steer by pivoting at the center articulation joint (1).

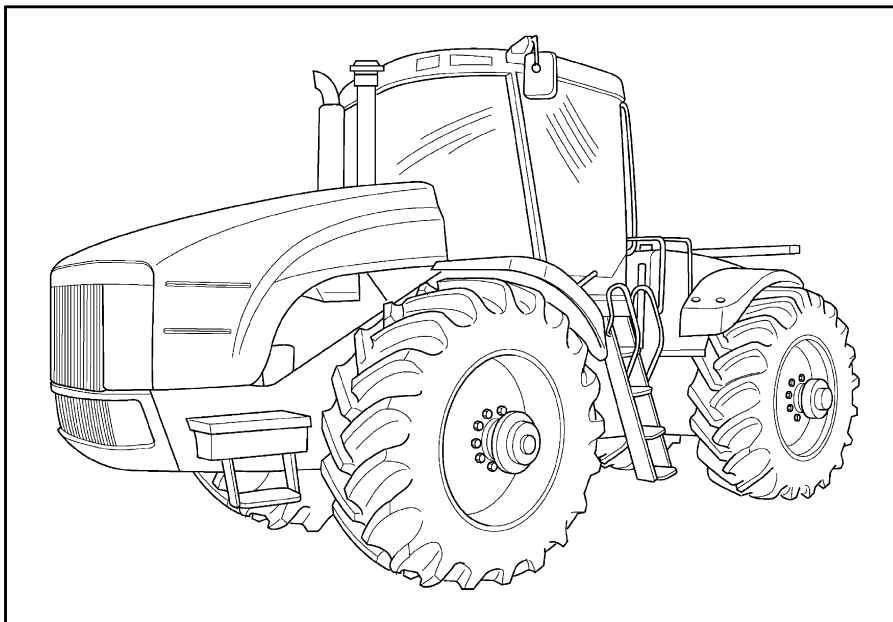
The standard tractor front frame (2) incorporates the engine, front axle, transmission and cab. The rear frame (3) incorporates the rear axle and fuel tank.

The right hand (RH) (4) and left hand (LH) (5) side of the tractor as used in this manual are the same as your right hand and left hand when sitting in the operators seat looking forward over the engine.



MA00A013

TJ SERIES NEW HOLLAND TRACTOR



MK01G135

PRODUCT IDENTIFICATION AND SERIAL NUMBERS

Write your machine Model Number, Product Identification Number (P.I.N.) and Serial Numbers of major components on the lines provided. If needed,

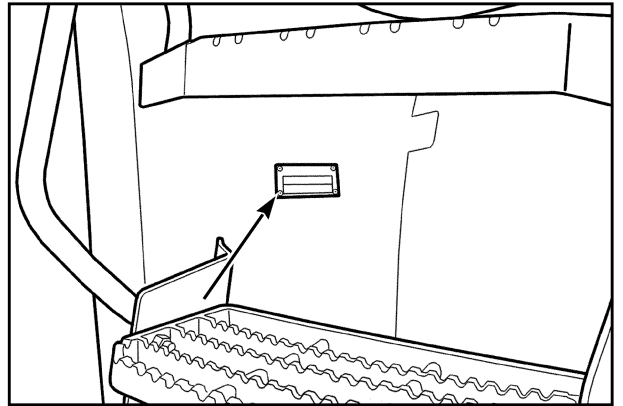
give these numbers to your dealer when you need parts or information for your machine.

TRACTOR MODEL AND PRODUCT IDENTIFICATION NUMBERS

Model _____

P.I.N. *RVS _____

Located on the upper back side of LH side front fender.

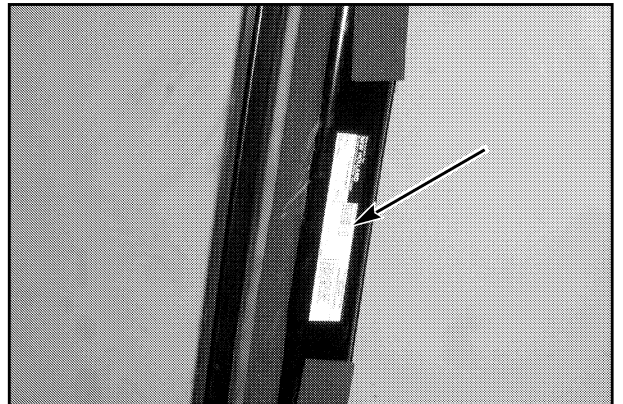


MT04M004

ROPS SERIAL NUMBER

*RVS _____

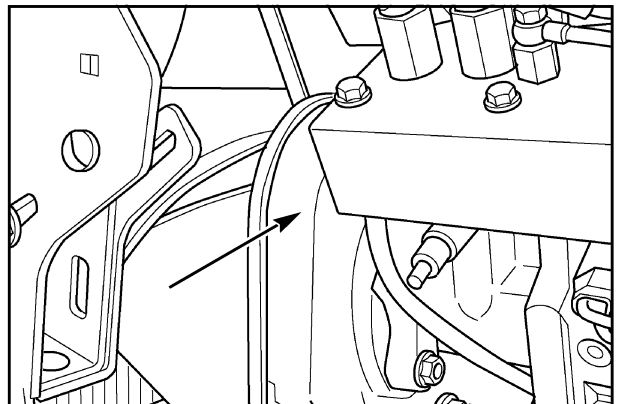
Located under the cover of the LH front ROPS post.



MK01G272

ENGINE SERIAL NUMBER (TJ 275-325)

Located on front LH side of engine.

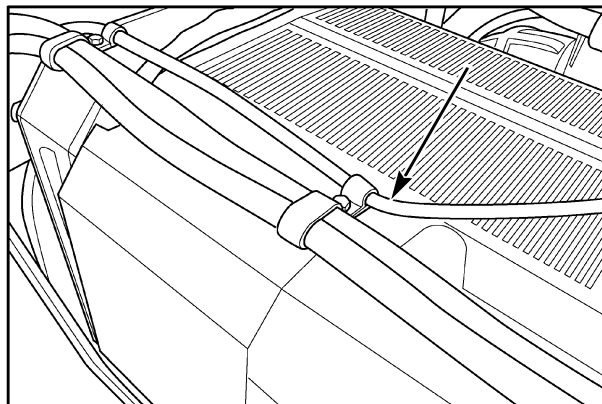


MK99K053

1-TO THE OWNER

ENGINE SERIAL NUMBER (TJ 375-500)

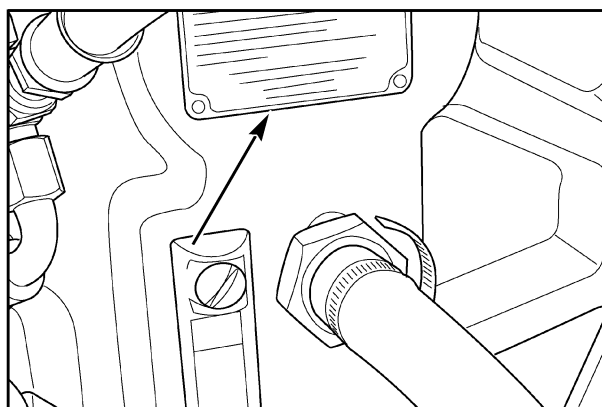
Located on the top LH side of the engine valve cover.



MK01G101

TRANSMISSION SERIAL NUMBER

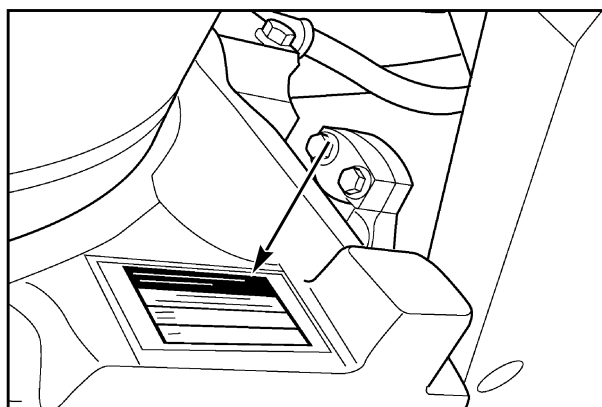
Located on the LH rear side of the transmission.



MK98C005

AXLE SERIAL NUMBER (TJ 275 - 325 - 375 Std)

Located on the side of the axle center housing.

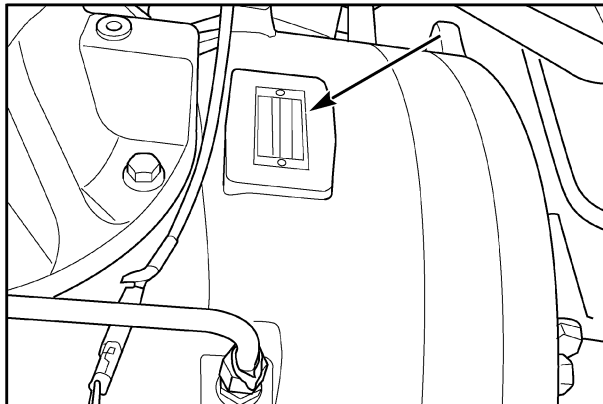


MK99K097

1-TO THE OWNER

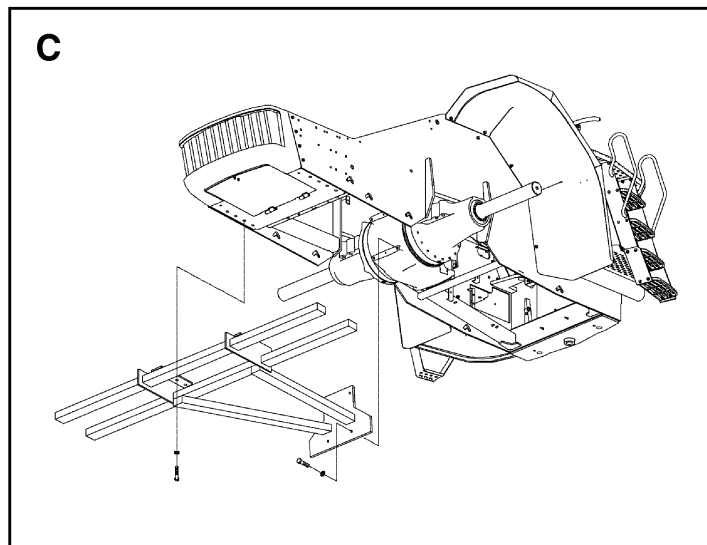
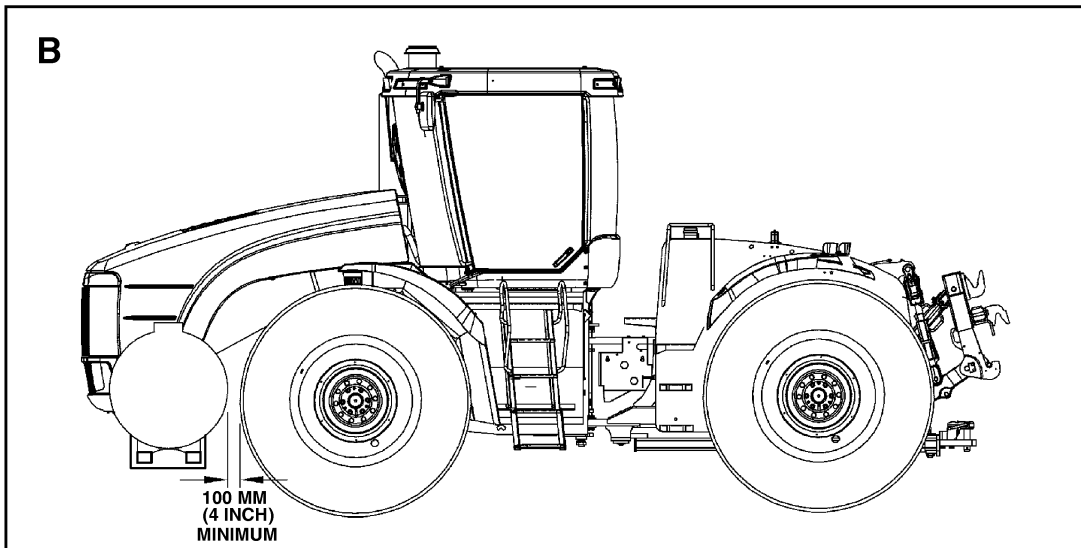
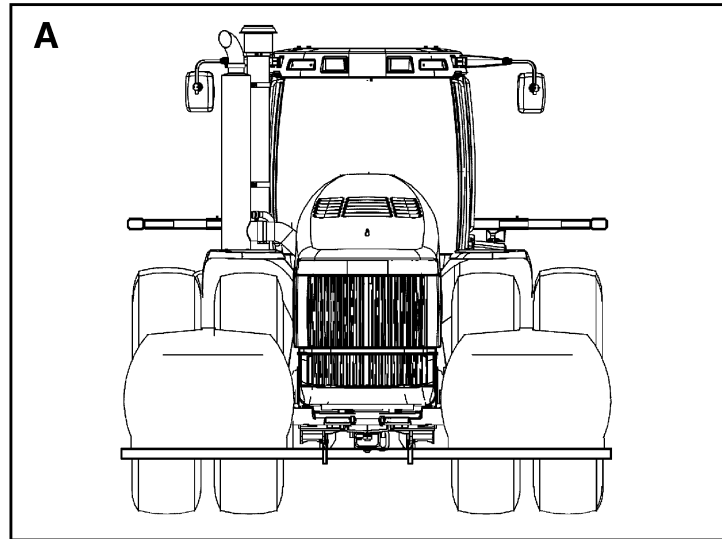
AXLE SERIAL NUMBER - (TJ 375HD, 425, 450,
500)

Located on the final drive housing.



MK01G070

1-TO THE OWNER



CHEMICAL TANK MOUNTING



WARNING: *Additional care must be taken when operating a tractor with chemical tanks. Operating, handling and braking performance of the tractor may be affected. Avoid high speed operation. Travel speed should be such that complete control and machine stability is maintained at all times.**

M418

Chemical tanks and mounting are not factory supplied. Chemical tanks can be mounted on each front side of the TJ model tractors. The maximum tank capacity for side mounted installation is two 300 gallon (1136 liter) tanks for TJ 275, 325 models and two 350 gallon (1326 liter) tanks for TJ 375, 425, 450 and 500 models.

To avoid structural damage, vendor supplied chemical tanks must be installed according to the following instructions:

1. Side mounted chemical tanks must be mounted in pairs with a rigid structure supporting both tanks (A). Side tanks must be interconnected so that the fluid level is the same in both tanks at all times.
2. Chemical tanks must be mounted as close to the front axle as possible. Front wheel tread setting is not affected by side tank installation, however the shape and/or size of the tanks can be affected by the required 100 mm (4 inch) minimum clearance in front of the tires (B).
3. The tank support structure must be attached to the front frame belly pan in the same location as the front suitcase weight support frame using class 10.9 fasteners (C).

IMPORTANT: *The tanks MUST NOT be individually supported by the tractor side frames.*

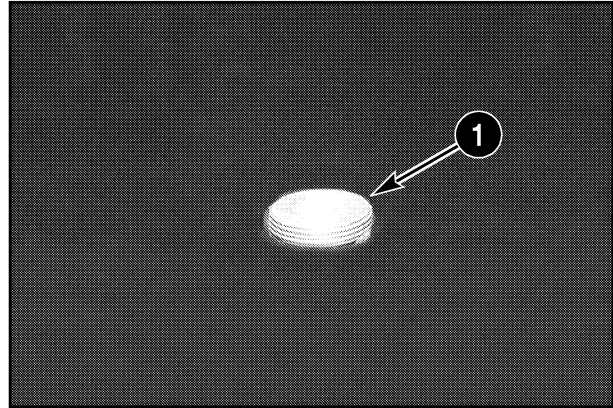
4. To reduce the dynamic forces associated with chemical tanks, the tank support structure must also have a rigid type brace extending from each side of the tank support structure to the front side of the front axle center housing. Use the existing pre-drilled and tapped 20 mm holes in the center housing to attach the braces using class 10.9 fasteners (C).
5. Front tanks must be mounted to allow the clean-out trap door to open and allow unrestricted access to all service points.
6. Refer to the Tire Load And Inflation Tables in this manual for the correct tire size and load capacity for your application. Tires must be inflated to the correct load capacity to support the added weight. To avoid exceeding tire load capacity, remove all front wheel weights.
7. Each U.S. gallon (3.8 liter) of tank capacity will add approximately 14 lb (6.3 Kg) to the front axle weight and decrease rear axle weight. DO NOT exceed tire or tractor maximum operating weights.

IMPORTANT: *Tanks filled to capacity must not be used as primary ballast for heavy tillage operation.*

NOTE: *A generic chemical tank support structure is illustrated only to show acceptable attaching points. Final support structure design and testing is the responsibility of the manufacturer.*

BUSINESS BAND RADIOS

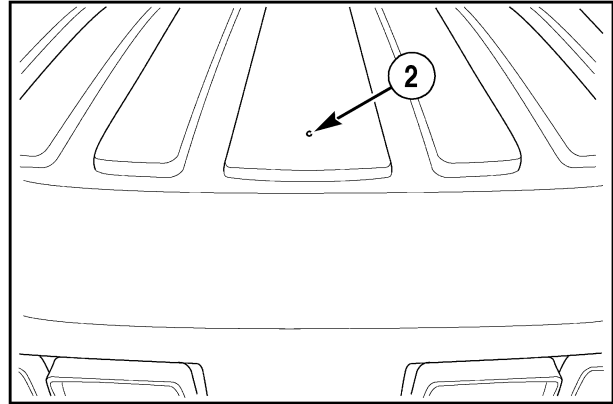
Provisions for installing business band radios have been provided for tractors equipped with the Deluxe cab. The antenna mast mounting threaded spud (1) and antenna lead wire are factory installed in the roof of the cab approximately 2 inches (50 mm) under the cab roof.



MK00E040

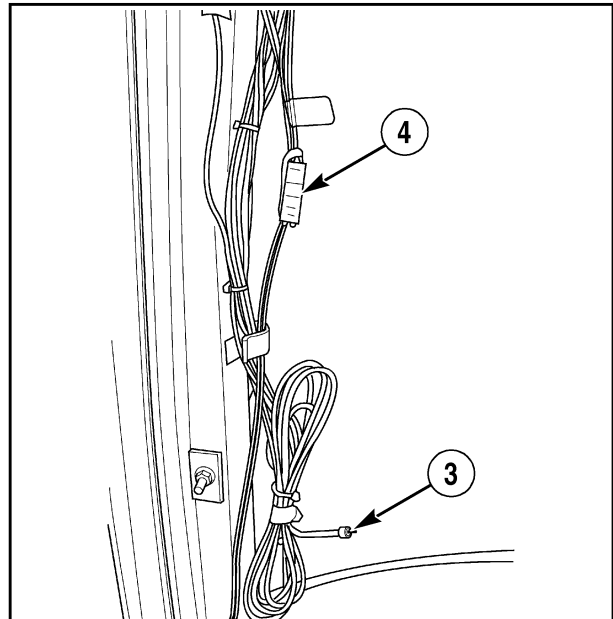
A locating dimple (2) in the cab roof marks the location for drilling the hole for the antenna mast.

NOTE: The antenna mast for a one-quarter (1/4) wave UHF business band radio must be purchased locally.



MK00E007

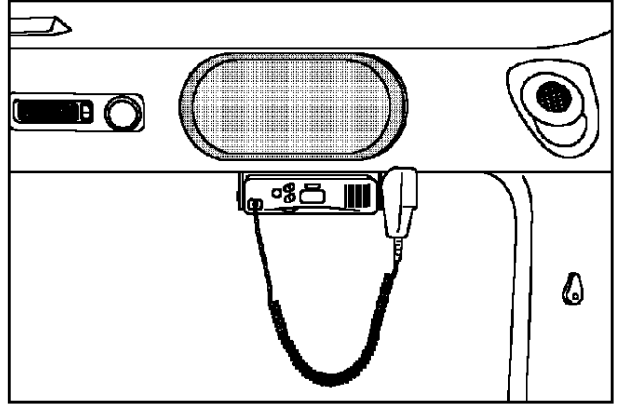
The radio antenna lead wire (3) and power and ground connector (4) are located under the right side rear ROPS post trim cover.



MK00E041

1-TO THE OWNER

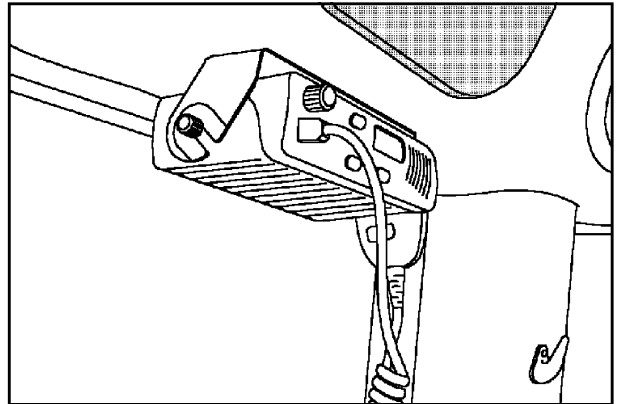
The recommended location for mounting the business band radio is under the RH stereo speaker box. The mounting bracket supplied with the radio must be used.



RI01009

If necessary, the stereo speaker may be removed to install the radio mounting bracket.

NOTE: See your dealer for additional information and procedures for installing a business band radio.



RI01D008

Thank you so much for reading.
Please click the “Buy Now!”
button below to download the
complete manual.



After you pay.

You can download the most
perfect and complete manual in
the world immediately.

Our support email:

ebooklibonline@outlook.com