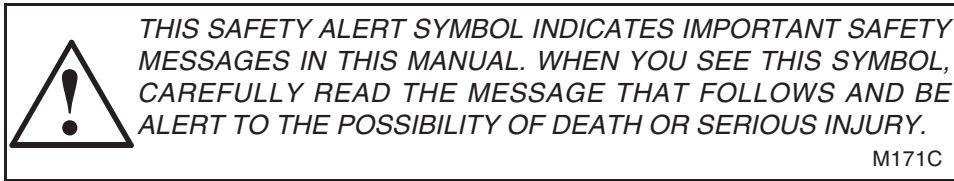


**STX Series
Steiger Tractors
STX280 and STX330**

Operator's Manual

87366119




CASE *III*



If Safety Decals on this machine use the words **Danger, Warning or Caution**, which are defined as follows:

- **DANGER:** Indicates an immediate hazardous situation that, if not avoided, will result in death or serious injury. The color associated with Danger is RED.
- **WARNING:** Indicates a potentially hazardous situation that, if not avoided, could result in death or serious injury. The color associated with Warning is ORANGE.
- **CAUTION:** Indicates an potentially hazardous situation that, if not avoided, may result in minor or moderate injury. It may also be used to alert against unsafe practices. The color associated with Caution is YELLOW.

If Safety Decals on this machine are ISO two panel pictorial, decals are defined as follows:

- The first panel indicates the nature of the hazard.
- The second panel indicates the appropriate avoidance of the hazard.
- Background color is YELLOW.
- Prohibition symbols such as   and  if used, are RED.



WARNING

IMPROPER OPERATION OF THIS MACHINE CAN CAUSE DEATH OR SERIOUS INJURY. BEFORE USING THIS MACHINE, MAKE CERTAIN THAT EVERY OPERATOR:

- Is instructed in safe and proper use of the machine.
- Reads and understands the Manual(s) pertaining to the machine.
- Reads and understands ALL Safety Decals on the machine.
- Clears the area of other persons.
- Learns and practices safe use of machine controls in a safe, clear area before operating this machine on a job site.

It is your responsibility to observe pertinent laws and regulations and follow CNH America LLC instructions on machine operation and maintenance.

GENERAL TABLE OF CONTENTS

1-TO THE OWNER	1
PRODUCT IDENTIFICATION AND SERIAL NUMBERS	3
CHEMICAL TANK MOUNTING	6
CHEMICAL TANK MOUNTING	7
BUSINESS BAND RADIO READY (IF EQUIPPED)	8
2 – SAFETY/DECALS	11
SAFETY	11
PERSONAL SAFETY	14
INSTRUCTIONAL SEAT SAFETY	14
MAINTENANCE SAFETY	15
FIRE SAFETY	15
BATTERY SAFETY	16
MACHINE OPERATION AND ROLL-OVER SAFETY	16
HAZARDOUS CHEMICALS	17
SAFETY DECALS	18
ROLL OVER PROTECTIVE STRUCTURE (ROPS)	22
SEAT BELTS	24
TRACTOR WARNING LAMPS AND SMV SYMBOL	25
IMPLEMENT WARNING LAMPS AND SMV SYMBOL	26
SAFETY CHAIN	26
3-OPERATING CONTROLS	27
TRACTOR ACCESS	27
OPERATOR'S SEAT WITH AIR SUSPENSION	29
STEERING COLUMN CONTROLS	33
STEERING COLUMN ADJUSTMENT	34
FOOT PEDALS	35
CENTER CONSOLE CONTROLS	36
RH ARMREST CONTROL CONSOLE	38
REMOTE VALVE FUNCTION CONTROL	41
ARM REST CONTROL CONSOLE ADJUSTMENT (IF EQUIPPED)	47
UPPER CONSOLE CONTROLS	47
HVAC CONTROL SYSTEM	51
AUTOMATIC TEMPERATURE CONTROL OPERATION	54
4-INSTRUMENTATION	59
ROPS POST INSTRUMENT CLUSTER	59
PROGRAMMING THE DISPLAY MONITOR	64
CHANGING U.S. STANDARD OR METRIC DISPLAY UNITS	64
CHANGING TIRE RADIUS	65
TIRE AVERAGE ROLLING RADIUS CHART	66
DYNAMIC ROLLING RADIUS	66
RADAR SENSOR CALIBRATION	67
RADAR CALIBRATION PROCEDURE	67
OLD HOURS	68
OPERATOR ADJUSTED MENU PROGRAM	69
WARNING FAULT DISPLAYS	73
CRITICAL WARNING DISPLAYS - LEVEL 1 - STANDARD AND PERFORMANCE	73
NON-CRITICAL DISPLAYS	74
5-OPERATING INSTRUCTIONS	91
BEFORE STARTING THE ENGINE	91
SEAT BELTS	92
NORMAL ENGINE STARTING PROCEDURE	93
STOPPING THE ENGINE	95
COLD TEMPERATURE OPERATION	96

TOWING THE TRACTOR	98
TRANSPORTING THE TRACTOR	99
FRONT STEERING OPERATION (IF EQUIPPED)	100
COMBINATION STEERING OPERATION	100
CRAB STEERING	100
ARTICULATION ONLY STEERING OPERATION	100
STEERING DISPLAY MONITOR	100
POWERSHIFT TRANSMISSION OPERATION	101
AUTOSHIFT OPERATION	105
24-SPEED TRANSMISSION OPERATION (IF EQUIPPED)	109
DIFFERENTIAL LOCK	111
CONSTANT ENGINE SPEED OPERATION (IF EQUIPPED)	112
6-FIELD OPERATION	113
OPERATING THE POWER TAKEOFF (PTO)	115
STANDARD DRAWBAR	117
THREE POINT HITCH PREPARATION	122
HITCH COUPLER - CATEGORY III OR IV-N	127
HITCH OPERATION	131
REMOTE HYDRAULICS	142
AUXILIARY IMPLEMENT POWER CONNECTIONS	153
7-IN FIELD PERFORMANCE	157
TRACTOR BALLAST	157
FRONT AND REAR SUITCASE WEIGHTS	163
FRONT SUITCASE WEIGHT, TIE BOLT AND CLAMP INSTALLATION	164
WHEEL WEIGHTS	166
WHEEL WEIGHT BOLT TORQUE	166
TIRE AND RIM SERVICE	167
TIRE PRESSURE FOR MAXIMUM TIRE LOAD AT RATED INFLATION	170
WHEEL BOLT TORQUES	173
WHEEL OFFSET DIRECTION CHANGE	173
ARTICULATION STEERING STOPS	181
8-LUBRICATION/FILTERS/FLUIDS/MAINTENANCE	183
LUBRICATION AND MAINTENANCE	183
PLASTIC AND RESIN PARTS	183
LUBRICANTS AND CAPACITIES	183
ENGINE LUBRICATION	184
GRILLE AND HOOD ACCESS	186
LUBRICATION AND MAINTENANCE CHART	188
AIR INDUCTION SYSTEM	210
9-ELECTRICAL SYSTEM	231
SPECIFICATIONS	231
GENERAL SERVICE INFORMATION	237
10-SPECIFICATIONS	239
DIESEL ENGINE	239
TRACTOR WEIGHTS	241
TRAVEL SPEEDS (MPH)	242
TRAVEL SPEEDS (KPH)	243
APPROXIMATE TRAVEL SPEEDS (KPH)	244
APPROXIMATE TRAVEL SPEEDS (MPH)	245
APPROXIMATE OVERALL MEASUREMENTS	246
DETAIL INDEX	247

GENERAL INFORMATION

INTRODUCTION TO THIS MANUAL

This manual contains important information about the safe operation, adjustment and routine maintenance of your Case IH STX Series Steiger Tractor. The manual is divided into ten sections as outlined in the General Table of Contents Page(s). Refer to the Detail Index at the end of this manual for locating specific items about your tractor.

Use this manual as a guide. Your tractor will remain a reliable working machine as long as it is kept in good working condition and serviced properly.

Read this manual before you start the engine or operate this tractor. If any information in this manual is not understood, or if you need more information or assistance, contact your dealer. All persons training to operate, or who will be operating this tractor, should be old enough to possess a valid local vehicle operating permit (or other applicable local age requirement) and must have demonstrated the ability to operate and service the tractor correctly and safely.

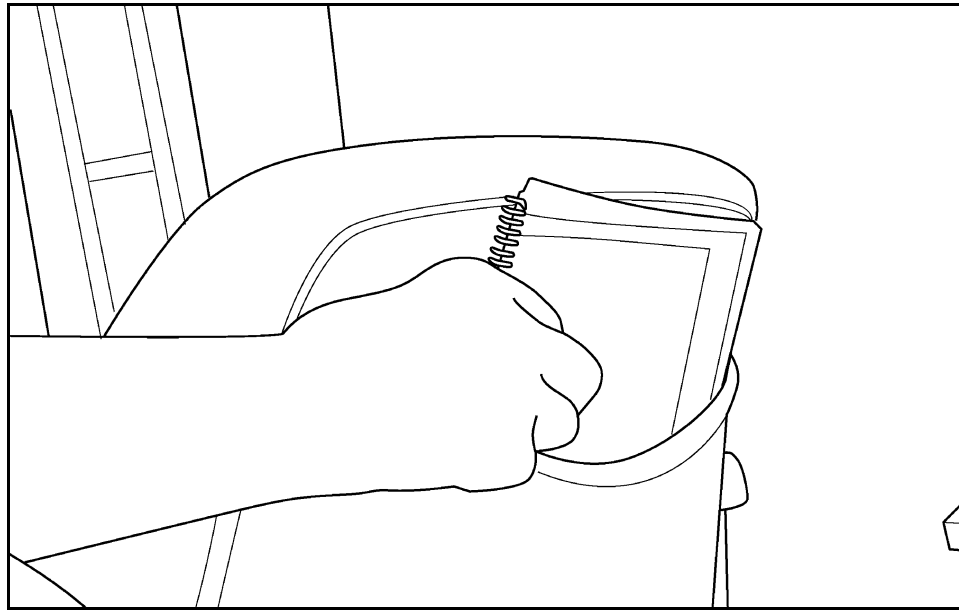
If your tractor requires replacement parts, do not use unauthorized parts or substitute materials. Case IH dealers stock Case IH approved service parts and have technicians with special training that know the best methods of repair and maintenance for your tractor.

STATEMENT OF TRACTOR INTENDED USE

The Steiger STX Series Tractor, with standard equipment and authorized attachments, is intended to be used for customary farming, land leveling and related agriculture operations. This tractor is not approved for industrial scraper operations.

Installation of utility (dozer) blades, tile plows, front loaders or push bars on the tractor is not recommended. Any tractor damage resulting from the installation and/or use of such equipment is not covered by the tractor warranty.

OPERATOR MANUAL STORAGE COMPARTMENT



MK99H025

DO NOT permit anyone to operate or service this tractor until you or other operators have read this manual. The Operators Manual is a part of your tractor and must be available to all operators. Make sure the manual is complete and in good condition.

Store the Operators Manual and other important tractor information in the storage compartment provided on the rear side of the seat backrest.

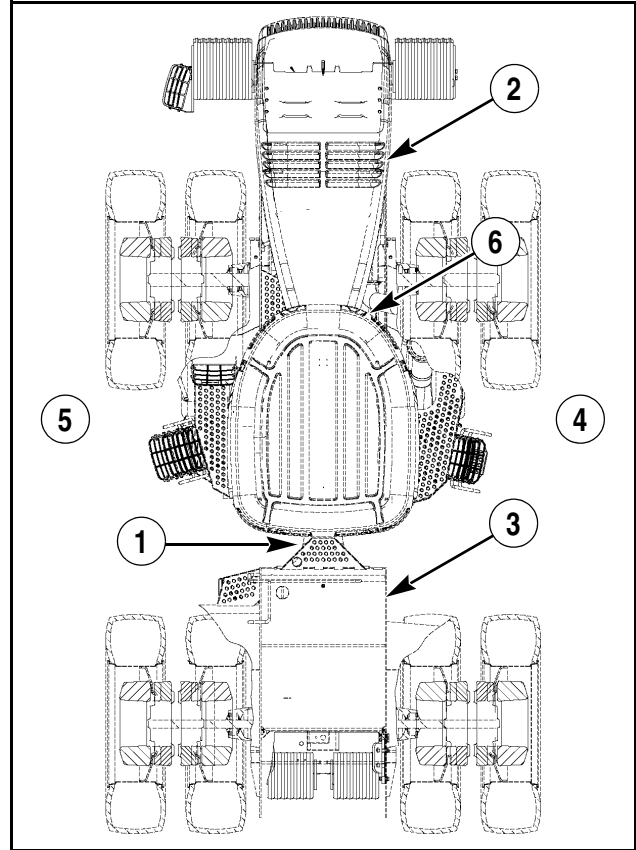
TRACTOR ORIENTATION

The STX Series Steiger Tractor is classified as a four-wheel drive articulating vehicle. The standard tractor consists of front and rear frame assemblies that steer by pivoting at the center articulation joint (1).

The standard tractor front frame (2) incorporates the engine, front axle, transmission and cab. The rear frame (3) incorporates the rear axle and fuel tank.

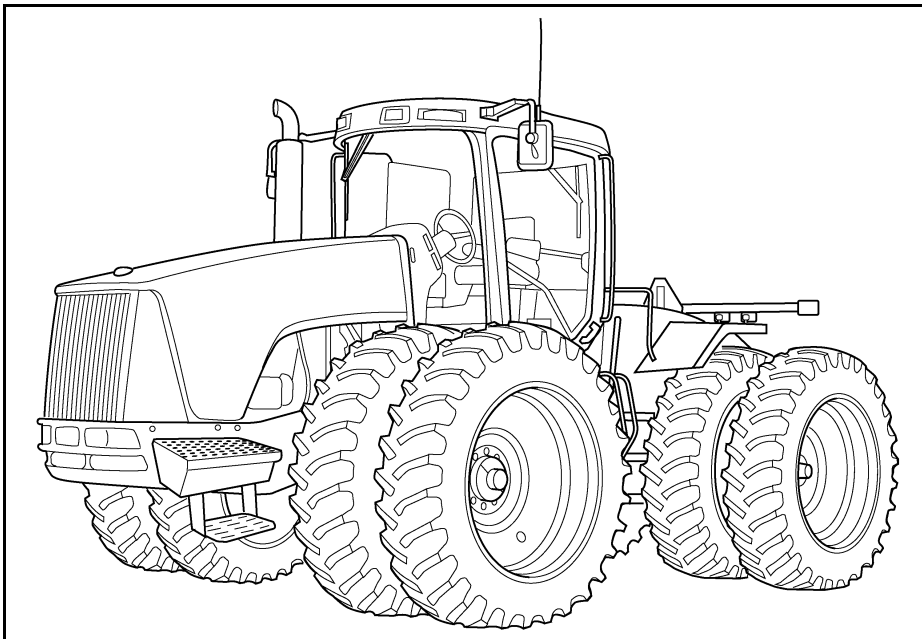
The STX 280 - STX 330 *ACCUSTEER™* tractor consists of a front frame articulation joint (6) and a rear frame articulation joint (1).

The right hand (RH) (4) and left hand (LH) (5) side of the tractor as used in this manual are the same as your right hand and left hand when sitting in the operators seat looking forward over the engine.



MA00A013

STX SERIES STEIGER TRACTOR



MK99M015

MODELS STX 280 - STX 330 TRACTORS

PRODUCT IDENTIFICATION AND SERIAL NUMBERS

Write your machine Model Number, Product Identification Number (P.I.N.) and Serial Numbers of major components on the lines provided. If needed,

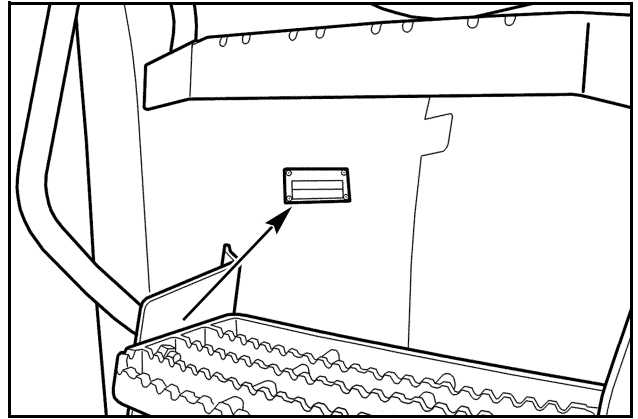
give these numbers to your dealer when you need parts or information for your machine.

TRACTOR MODEL AND PRODUCT IDENTIFICATION NUMBERS

Model: _____

P.I.N. * Z: _____

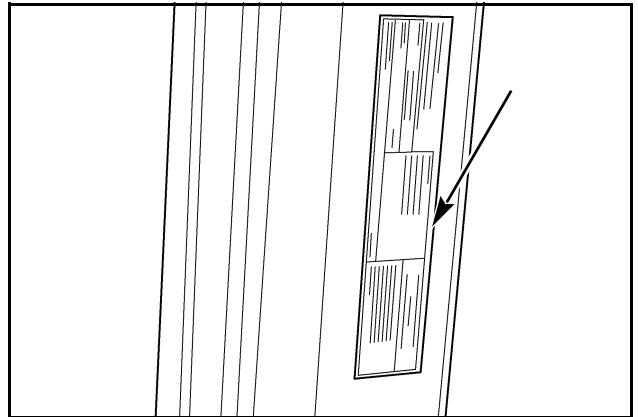
Located on the upper back side of the LH side front fender.



MT04M004

ROPS SERIAL NUMBER

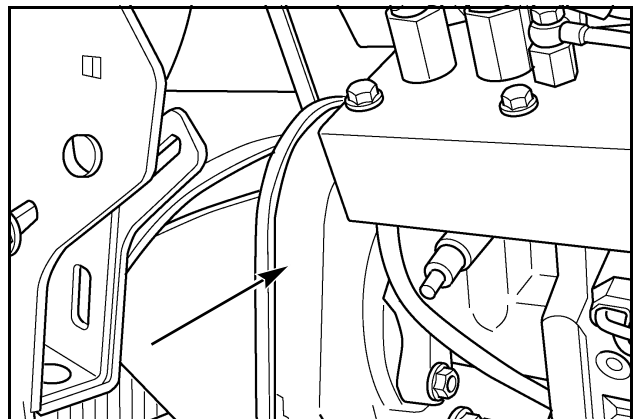
Located under the cover of the LH front ROPS post.



MK01G271

ENGINE SERIAL NUMBER

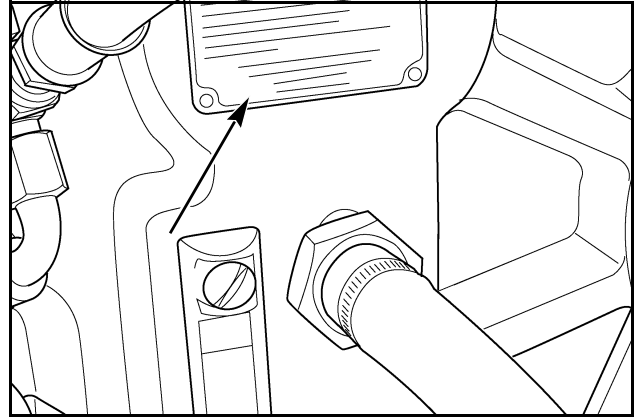
Located on front LH side of engine.



MK99K053

TRANSMISSION SERIAL NUMBER

Located on the LH rear side of the transmission.



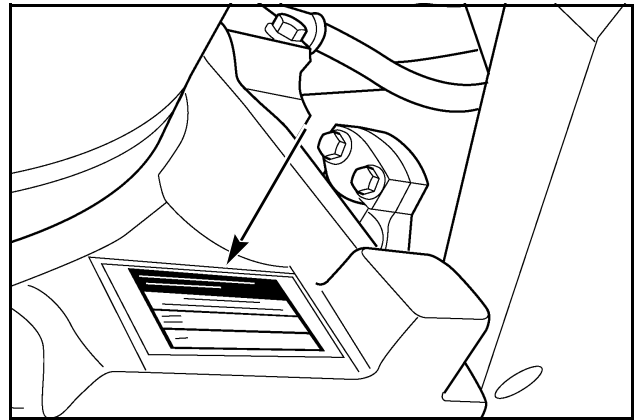
MK98C005

AXLE SERIAL NUMBER

Front _____

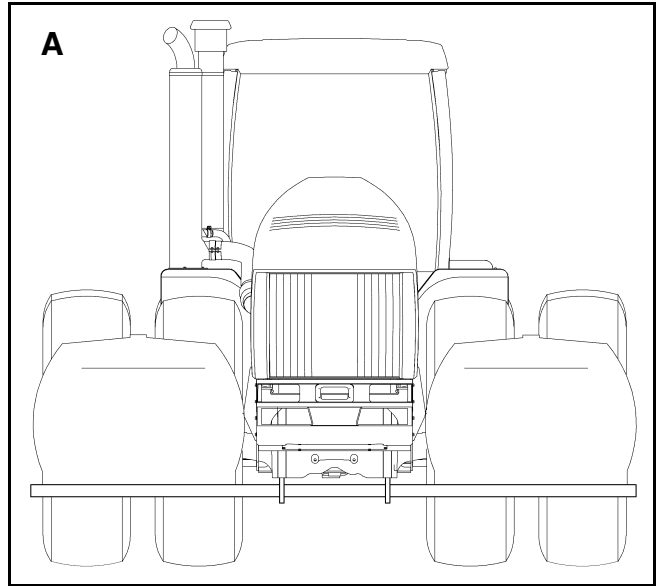
Rear _____

Located on the side of the front and rear axle center housing.

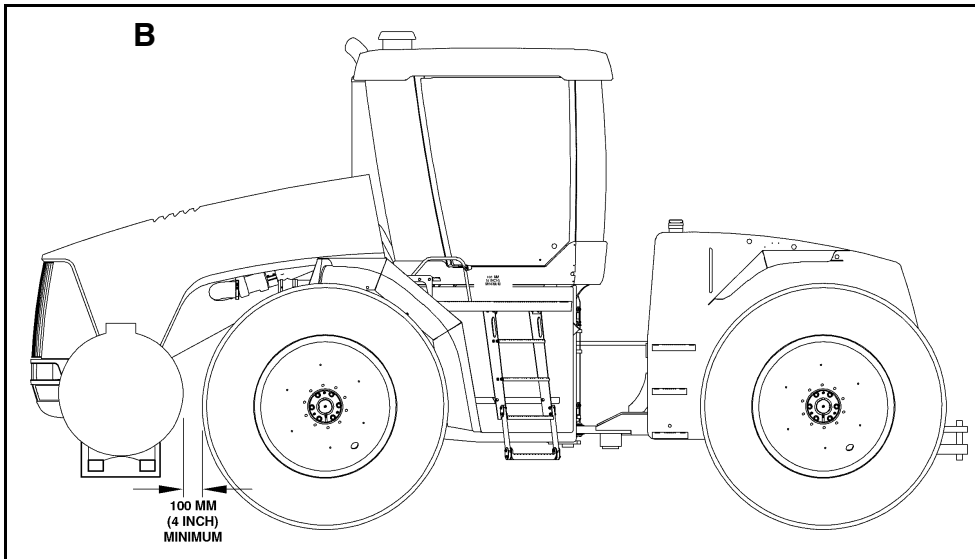


MK99K097

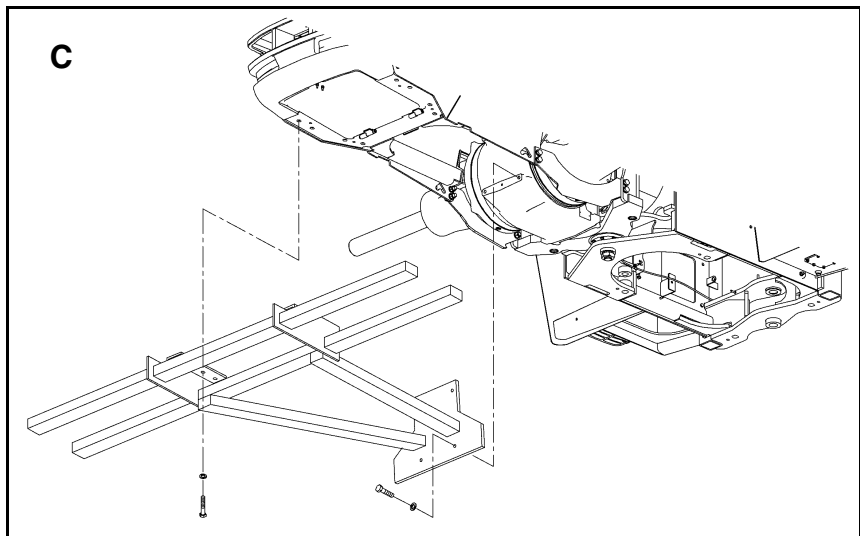
CHEMICAL TANK MOUNTING



MA00K025



MA00K026



MA00K027

CHEMICAL TANK MOUNTING



WARNING: ADDITIONAL CARE MUST BE TAKEN WHEN OPERATING A TRACTOR WITH CHEMICAL TANKS. OPERATING, HANDLING AND BRAKING PERFORMANCE OF THE TRACTOR MAY BE AFFECTED. AVOID HIGH SPEED OPERATION. TRAVEL SPEED SHOULD BE SUCH THAT COMPLETE CONTROL AND MACHINE STABILITY IS MAINTAINED AT ALL TIMES

M418

Chemical tanks and mounting are not factory supplied. Chemical tanks can be mounted on each front side of the tractor. The maximum tank capacity for side mounted installation is two 300 gallon (1136 liter) tanks.

To avoid structural damage, vendor supplied chemical tanks must be installed according to the following instructions:

1. Side mounted chemical tanks must be mounted in pairs with a rigid structure supporting both tanks (A). Side tanks must be interconnected so that the fluid level is the same in both tanks at all times.
2. Chemical tanks must be mounted as close to the front axle as possible. Front wheel tread setting is not affected by side tank installation, however the shape and/or size of the tanks can be affected by the required 100 mm (4 inch) minimum clearance in front of the tires (B).
3. The tank support structure must be attached to the front frame belly pan in the same location as the front suitcase weight support frame using class 10.9 fasteners (C).

IMPORTANT: *The tanks MUST NOT be individually supported by the tractor side frames.*

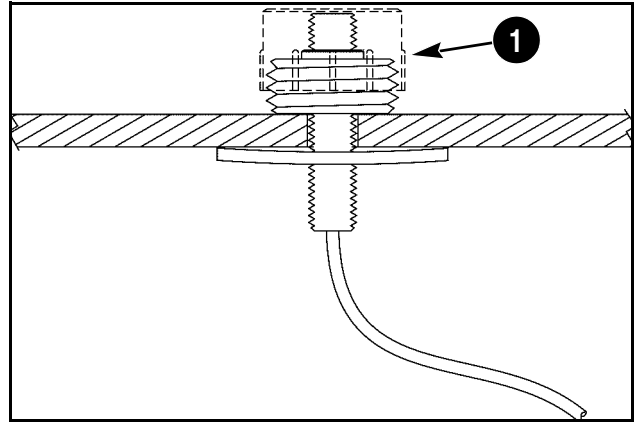
4. To reduce the dynamic forces associated with chemical tanks, the tank support structure must also have a rigid type brace extending from each side of the tank support structure to the front side of the front axle center housing. Use the existing pre-drilled and tapped 20 mm holes in the center housing to attach the braces using class 10.9 fasteners (C).
5. Front tanks must be mounted to allow the cleanout trap door to open and allow unrestricted access to all service points.
6. Refer to the Tire Load And Inflation Tables in this manual for the correct tire size and load capacity for your application. Tires must be inflated to the correct load capacity to support the added weight. To avoid exceeding tire load capacity, remove all front wheel weights.
7. Each U.S. gallon (3.8 liter) of tank capacity will add approximately 14 lb (6.3 Kg) to the front axle weight and decrease rear axle weight. DO NOT exceed tire or tractor maximum operating weights.

IMPORTANT: *Tanks filled to capacity must not be used as primary ballast for heavy tillage operation.*

NOTE: *A generic chemical tank support structure is illustrated only to show acceptable attaching points. Final support structure design and testing is the responsibility of the manufacturer.*

BUSINESS BAND RADIO READY (If Equipped)

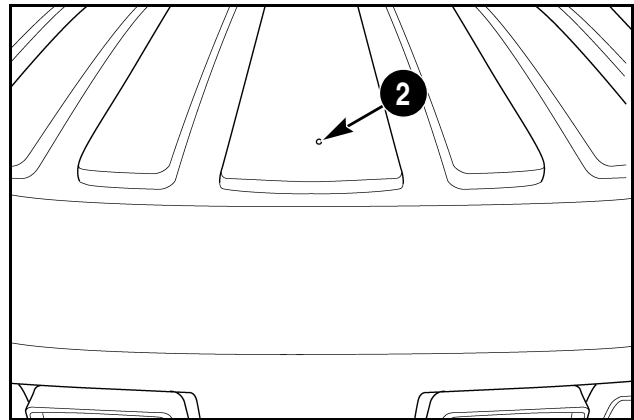
Provisions for installing business band radios have been provided for tractors equipped with the Business Band Radio Option. The antenna mast mounting threaded spud (1) and antenna lead wire (if equipped) are factory installed in the roof of the cab approximately 2 inches (50 mm) under the cab top. The spud is already wired with RF-58/U cable.



RH02H173

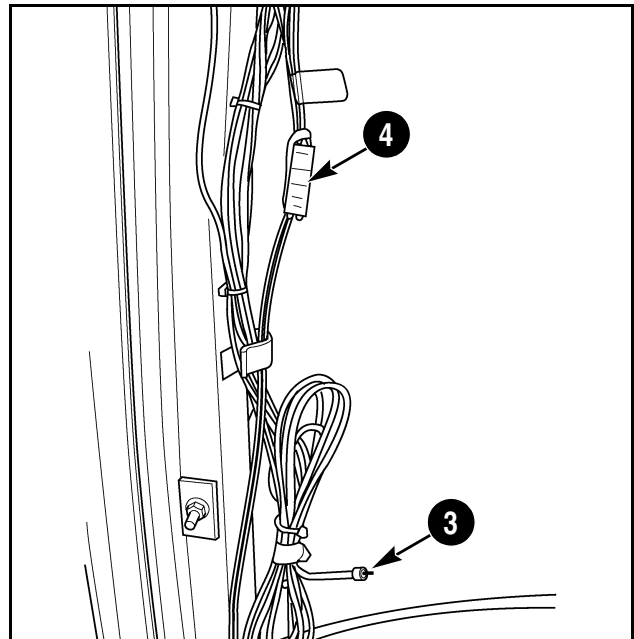
A locating dimple (2) in the cab top marks the location for drilling the hole for the antenna mast.

NOTE: The antenna mast for a one-quarter (1/4) wave UHF business band radio must be purchased locally and must be compatible with an Antenna Specialist Model K-794 low profile antenna mount. See Antenna Specialist at www.antenna.com for additional information.



MK00E007

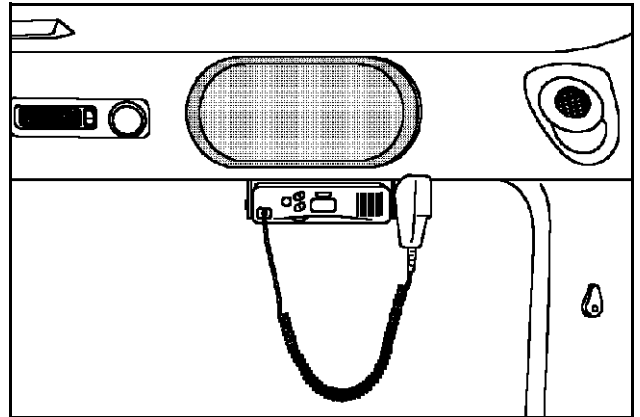
The radio antenna lead wire (if equipped) (3) and power and ground connector (4) are located under the right side rear ROPS post trim cover.



MK00E041

1-TO THE OWNER

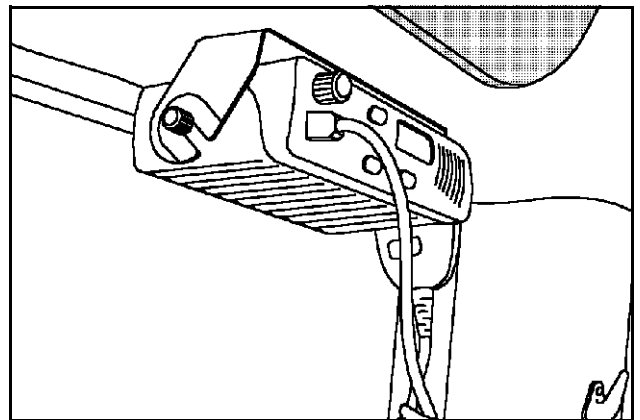
The recommended location for mounting the business band radio is under the RH stereo speaker box. The mounting bracket supplied with the radio must be used.



RI01009

If necessary, the stereo speaker may be removed to install the radio mounting bracket.

NOTE: See your dealer for additional information and procedures for installing a business band radio.



RI01D008

Buy Now



Our support email:

ebooklibonline@outlook.com