

NEW HOLLAND

TG215

TG245

TG275

TG305


87573023 7/06  
Replaces 87393894

# OPERATOR'S MANUAL



NEW HOLLAND

---






*THIS SAFETY ALERT SYMBOL INDICATES IMPORTANT SAFETY MESSAGES IN THIS MANUAL. WHEN YOU SEE THIS SYMBOL, CAREFULLY READ THE MESSAGE THAT FOLLOWS AND BE ALERT TO THE POSSIBILITY OF DEATH OR SERIOUS INJURY.*

M171C

If Safety Decals on this machine use the words **Danger, Warning or Caution**, which are defined as follows:

- **DANGER:** Indicates an immediate hazardous situation that, if not avoided, will result in death or serious injury. The color associated with Danger is RED.
- **WARNING:** Indicates a potentially hazardous situation that, if not avoided, could result in death or serious injury. The color associated with Warning is ORANGE.
- **CAUTION:** Indicates an potentially hazardous situation that, if not avoided, may result in minor or moderate injury. It may also be used to alert against unsafe practices. The color associated with Caution is YELLOW.

If Safety Decals on this machine are ISO two panel pictorial, decals are defined as follows:

- The first panel indicates the nature of the hazard.
- The second panel indicates the appropriate avoidance of the hazard.
- Background color is YELLOW.
- Prohibition symbols such as   and  if used, are RED.

# **WARNING**

IMPROPER OPERATION OF THIS MACHINE CAN CAUSE DEATH OR SERIOUS INJURY. BEFORE USING THIS MACHINE, MAKE CERTAIN THAT EVERY OPERATOR:

- Is instructed in safe and proper use of the machine.
- Reads and understands the Manual(s) pertaining to the machine.
- Reads and understands ALL Safety Decals on the machine.
- Clears the area of other persons.
- Learns and practices safe use of machine controls in a safe, clear area before operating this machine on a job site.

It is your responsibility to observe pertinent laws and regulations and follow CNH America LLC instructions on machine operation and maintenance.

# New Holland Technical Manuals

Manuals are available from your Dealer for the operation, service and repair of your machine. For prompt, convenient service, contact your Dealer for assistance in obtaining the manuals for your machine.

Always give the Machine Name, Model and Serial Number of your machine so your Dealer can provide the correct manuals for your machine.

## CALIFORNIA

### Proposition 65 Warning

**Diesel engine exhaust and some of its constituents are known to the State of California to cause cancer, birth defects, and other reproductive harm.**

**Battery posts, terminals and related accessories contain lead and lead compounds. Wash hands after handling.**

CNH America LLC is continually striving to improve its products. We reserve the right to make improvements or changes when it becomes practical and possible to do so, without incurring any obligation to make changes or additions to the equipment sold previously.

---

# GENERAL TABLE OF CONTENTS

<b>1 – TO THE OWNER</b> .....	<b>1</b>
STATEMENT OF TRACTOR INTENDED USE .....	1
OPERATOR MANUAL STORAGE COMPARTMENT .....	1
PRODUCT IDENTIFICATION AND SERIAL NUMBERS .....	3
MACHINE COMPONENTS .....	5
BUSINESS BAND RADIOS .....	7
<b>2 – SAFETY/DECALS</b> .....	<b>9</b>
SAFETY RULES .....	9
PERSONAL SAFETY .....	12
INSTRUCTIONAL SEAT SAFETY .....	12
MAINTENANCE SAFETY .....	13
FIRE SAFETY .....	13
BATTERY SAFETY .....	13
MACHINE OPERATION AND ROLL-OVER SAFETY .....	14
HAZARDOUS CHEMICALS .....	14
SAFETY DECALS .....	15
ROLLOVER PROTECTIVE STRUCTURE (ROPS) .....	20
CAB STRUCTURAL FRAME (CSF) .....	20
CLEANING CAB WINDOWS .....	21
INTERIOR REAR VIEW MIRROR .....	21
SEAT BELTS .....	22
TRACTOR WARNING LAMPS AND SMV SYMBOL .....	23
IMPLEMENT WARNING LAMPS AND SMV SYMBOL .....	26
SAFETY CHAIN .....	27
<b>3 – OPERATING CONTROLS</b> .....	<b>28</b>
TRACTOR ACCESS .....	28
OPERATOR SEAT CONTROLS .....	29
INSTRUCTIONAL SEAT (IF EQUIPPED) .....	35
STEERING COLUMN CONTROLS .....	36
FOOT PEDALS .....	37
CENTER CONSOLE CONTROLS .....	38
RIGHT HAND CONSOLE CONTROLS .....	40
ARMREST CONSOLE CONTROLS .....	49
RIGHT HAND FENDER CONTROLS .....	52
STANDARD TEMPERATURE SYSTEM CONTROLS (IF EQUIPPED) .....	56
AUTOMATIC TEMPERATURE CONTROL SYSTEM (IF EQUIPPED) .....	58
AUTOMATIC TEMPERATURE CONTROL OPERATION .....	61
REAR WINDOW .....	63
DOME LAMP .....	63
MAP LAMP (IF EQUIPPED) .....	64
RADIO (IF EQUIPPED) .....	64
MP3 PLAYER JACK (IF EQUIPPED) .....	64
STORAGE COMPARTMENT .....	65
SUN SHADE (IF EQUIPPED) .....	65
INTERIOR REAR VIEW MIRROR .....	65
EXTENDABLE MIRRORS (IF EQUIPPED) .....	66
UTILITY CONSOLE .....	66

<b>4 – INSTRUMENTATION</b> .....	<b>68</b>
INSTRUMENTATION CLUSTER .....	68
PROGRAMMING THE DISPLAY MONITOR .....	74
OPERATOR ADJUST MENU .....	79
WARNING/FAULT DISPLAYS .....	82
INSTRUMENTATION CLUSTER .....	88
<b>5 – OPERATING INSTRUCTIONS</b> .....	<b>103</b>
BEFORE STARTING THE ENGINE .....	103
SERVICE INDICATOR LAMPS AND BAR GRAPH DISPLAYS .....	104
SEAT BELTS .....	105
NORMAL ENGINE STARTING PROCEDURE .....	106
STOPPING THE ENGINE .....	108
COLD TEMPERATURE OPERATION .....	109
POWER SHIFT TRANSMISSION .....	112
TRANSMISSION .....	113
SHUTTLE SHIFTING .....	116
AUTOSHIFT OPERATION .....	119
SUSPENDED FWD AXLE OPERATION (IF EQUIPPED) .....	132
DYNAMIC RIDE CONTROL OPERATION (IF EQUIPPED) .....	133
CONSTANT ENGINE SPEED OPERATION .....	135
TOWING THE TRACTOR .....	136
HOW TO TRANSPORT THE TRACTOR .....	139
<b>6 – FIELD OPERATION</b> .....	<b>140</b>
GENERAL PROCEDURES FOR CONNECTING IMPLEMENTS .....	140
POWER TAKEOFF (PTO) .....	142
THREE POINT HITCH .....	157
HITCH OPERATION .....	175
DRAWBAR PREPARATION .....	190
ZUIDBERG FRONT HITCH (IF EQUIPPED) .....	196
REMOTE HYDRAULICS .....	201
LOADER OPERATION .....	218
CHEMICAL TANK MOUNTING .....	219
AUXILIARY POWER CONNECTIONS .....	221
MONITOR MOUNTING .....	224
GROUND SPEED SENSOR CONNECTOR .....	225
TRAILER BRAKE CONNECTOR (IF EQUIPPED) .....	226
CAB STEPS .....	228
<b>7 – IN-FIELD PERFORMANCE</b> .....	<b>229</b>
DIFFERENTIAL LOCK .....	229
FWD OPERATION .....	232
BALLASTING YOUR TRACTOR FOR OPTIMUM PERFORMANCE .....	236
WHEEL SLIP .....	264
POWER HOP .....	266
TIRE COMBINATIONS FOR FWD TRACTORS .....	267
STEERING AND OSCILLATION STOPS .....	278
FRONT WHEEL FENDERS (IF EQUIPPED) .....	293
REAR AXLE .....	309
TRACTOR JACKING POINTS .....	312
REAR WHEEL TREAD SETTING - SINGLES .....	314
REAR WHEEL TREAD SETTING - DUALS .....	316
REAR WHEEL TREAD SETTING - TRIPLES .....	325

---

<b>8 – LUBRICATION/FILTERS/FLUIDS/MAINTENANCE</b> .....	<b>328</b>
ENVIRONMENT .....	328
PLASTIC AND RESIN PARTS .....	328
TOOL BOX (IF EQUIPPED) .....	328
SYSTEM CAPACITIES .....	329
HOOD ACCESS .....	333
LUBRICATION/MAINTENANCE CHART .....	336
<b>9 – ELECTRICAL SYSTEM</b> .....	<b>386</b>
SPECIFICATIONS .....	386
RADIO REGIONAL PROGRAMMING .....	390
BATTERY SYSTEM SERVICING .....	391
BULB AND LAMP REPLACEMENT .....	394
<b>10 – SPECIFICATIONS</b> .....	<b>409</b>
DIESEL ENGINE .....	409
POWER TRAIN .....	410
TRAVEL SPEEDS .....	413
MAXIMUM RECOMMENDED OPERATING WEIGHTS .....	418
<b>INDEX</b> .....	<b>421</b>
DELIVERY REPORT .....	427
FIRST 50-HOUR SERVICE .....	431

## TO THE OWNER

This manual contains important information about the safe operation, adjustment and routine maintenance of your New Holland TG Series Tractor. The manual is divided into ten sections as outlined in the General Table of Contents Page(s). Refer to the Detail Index at the end of this manual for locating specific items about your tractor.

DO NOT operate or permit anyone to operate or service this machine until you or the other persons have read this manual. Use only trained operators who have demonstrated the ability to operate and service this machine correctly and safely.

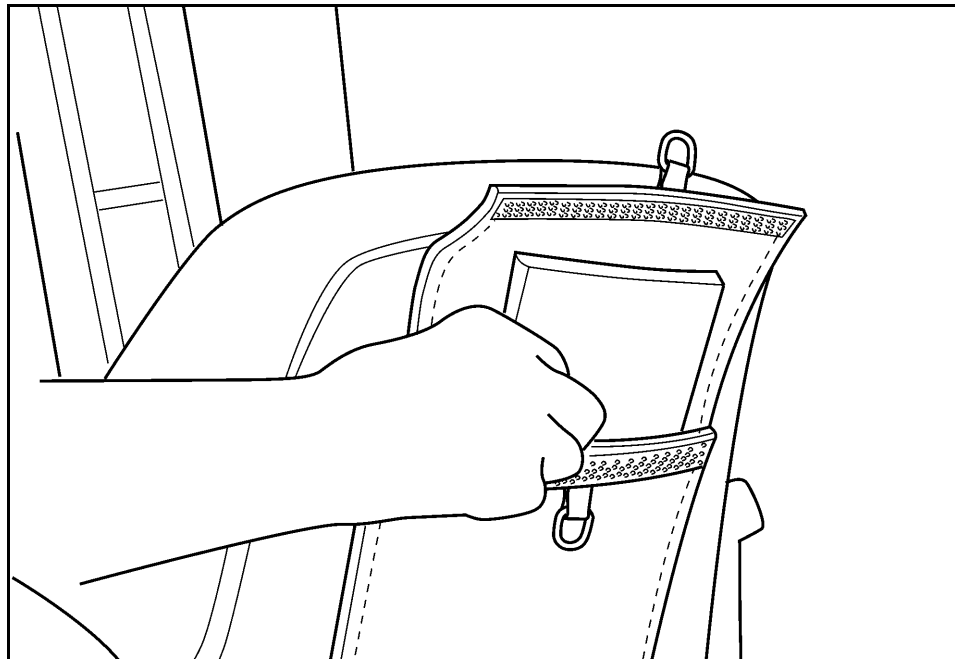
This Operator's Manual is to be stored in the manual compartment equipped on this machine. Make sure this manual is in good condition. Contact your New Holland dealer to obtain additional manuals. Contact your dealer for any further information or assistance about your machine. Your dealer has New Holland approved service parts. Your dealer has technicians with special training that know the best methods of repair and maintenance for your tractor.

### STATEMENT OF TRACTOR INTENDED USE

The New Holland TG Series Tractor, with standard equipment and authorized attachments, is intended to be used for customary farming, land leveling and related agriculture operations. Do not use this machine for any purpose other than those described in this manual.

Consult an authorized dealer or New Holland on changes, additions or modifications that can be required for this machine to comply with various regulations and safety requirements. Unauthorized modifications will cause serious injury or death. Anyone making such unauthorized modifications is responsible for the consequences.

### OPERATOR MANUAL STORAGE COMPARTMENT

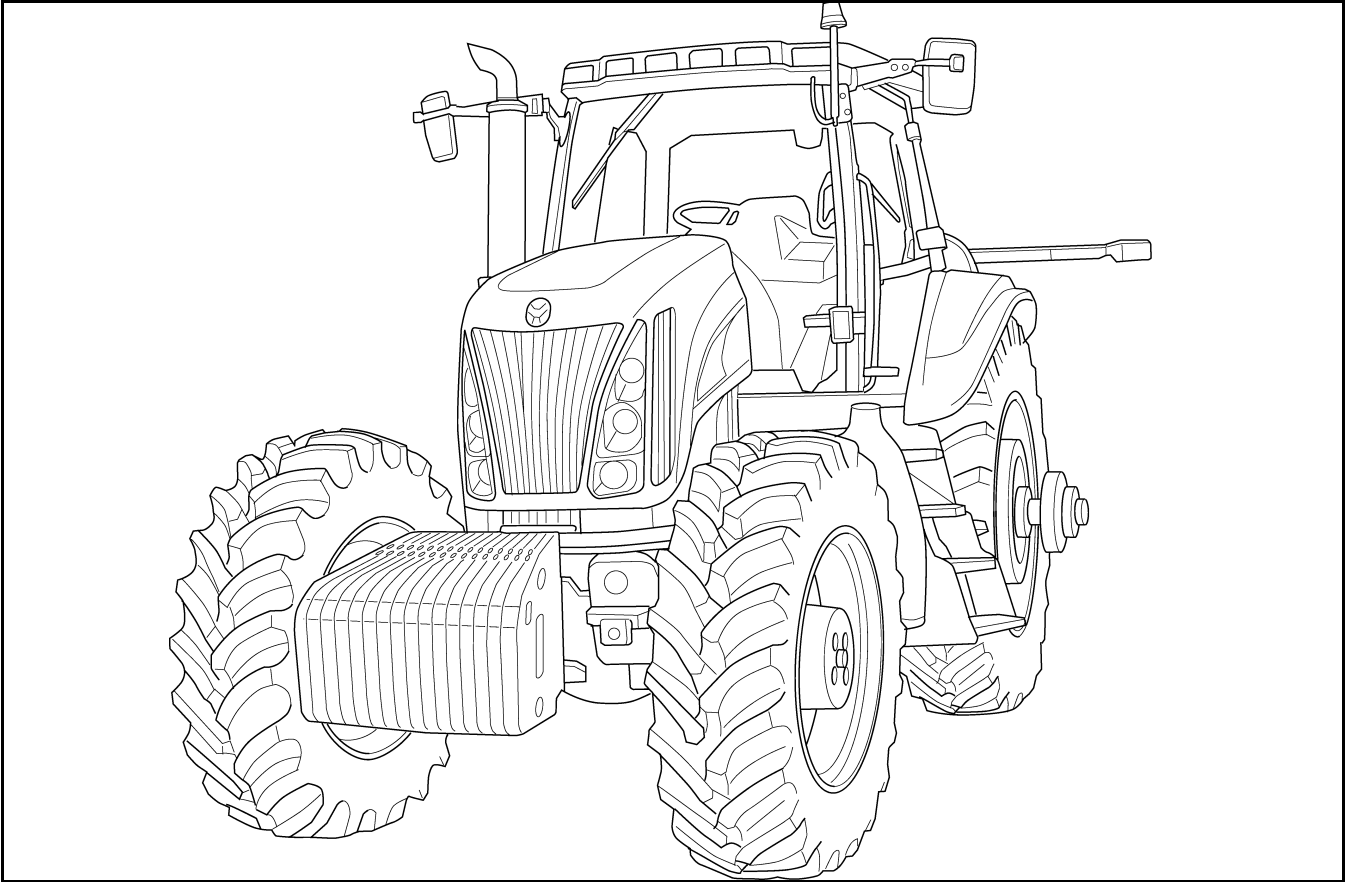


RH02K117

Keep the Operator's Manual in the storage compartment provided on your tractor. The Operator's Manual must be available for use by all operators.

**NOTE:** *The right hand and left hand side of the tractor used in this manual are the same as your right hand and left hand when sitting in the tractor seat looking forward.*

**TG SERIES TRACTOR**



**TG Tractor with Standard FWD Axle**

RH02H066



**TG SuperSteer Tractor with Front and Rear Duals**

RH02H314



## PRODUCT IDENTIFICATION AND SERIAL NUMBERS

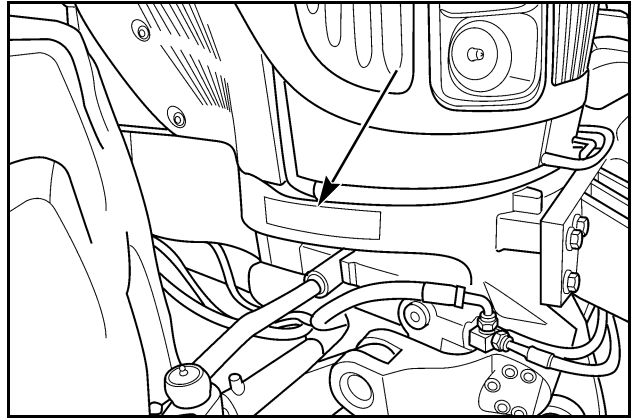
Write your machine Model Number, Product Identification Number (P.I.N.) and Serial Numbers of major components on the lines provided. If needed, give these numbers to your New Holland dealer when you need parts or information for your machine.

### TRACTOR MODEL AND PRODUCT IDENTIFICATION NUMBER

Model: \_\_\_\_\_

P.I.N.: \_\_\_\_\_

Located on right hand front casting.

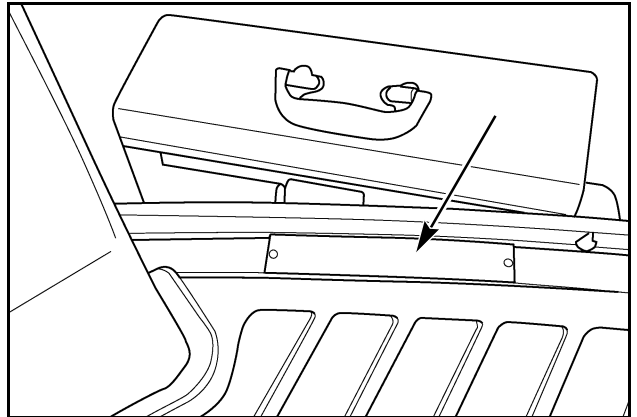


RH02G156

### ROLLOVER PROTECTION SYSTEM (ROPS) SERIAL NUMBER

\_\_\_\_\_

Located on the right hand cab floor.

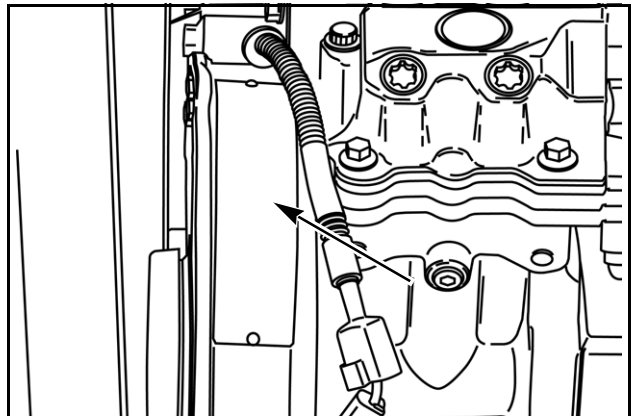


RH02H174

### ENGINE SERIAL NUMBER

\_\_\_\_\_

Located on front left hand side of engine.

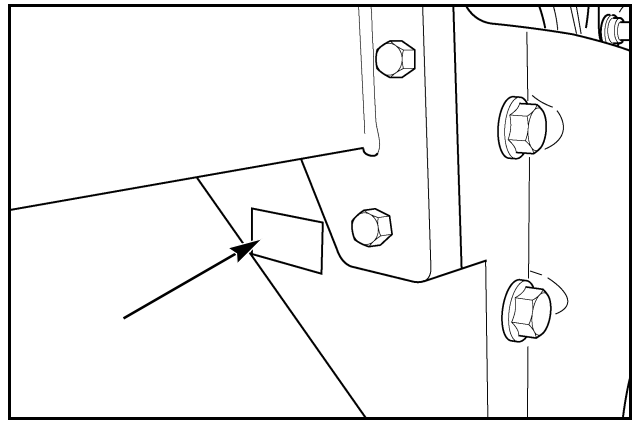


RD05J164

TRANSMISSION SERIAL NUMBER

\_\_\_\_\_

Located on the right hand side of the transmission behind the fuel tank and to the left of the ground stud.



RH02H302

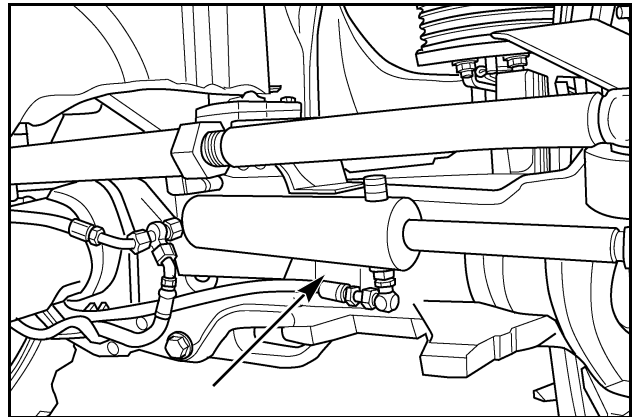
AXLE SERIAL NUMBER

\_\_\_\_\_

**STANDARD FWD AXLE:** Located on the rear right hand side of the axle housing.

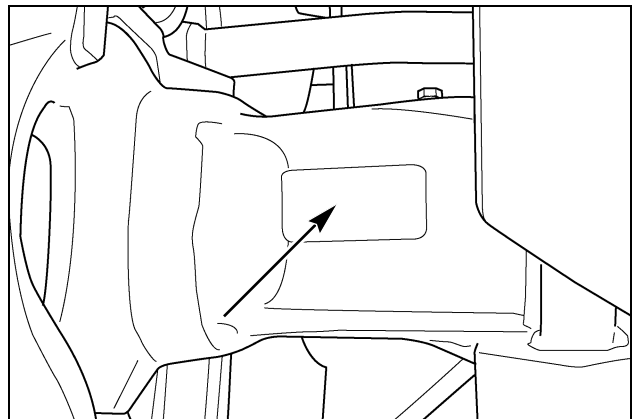
**SUSPENDED AXLE:** Located on the front right hand side of the axle housing.

**SUPERSTEER AXLE:** Located on the front right hand side of the axle housing.



RH02H178

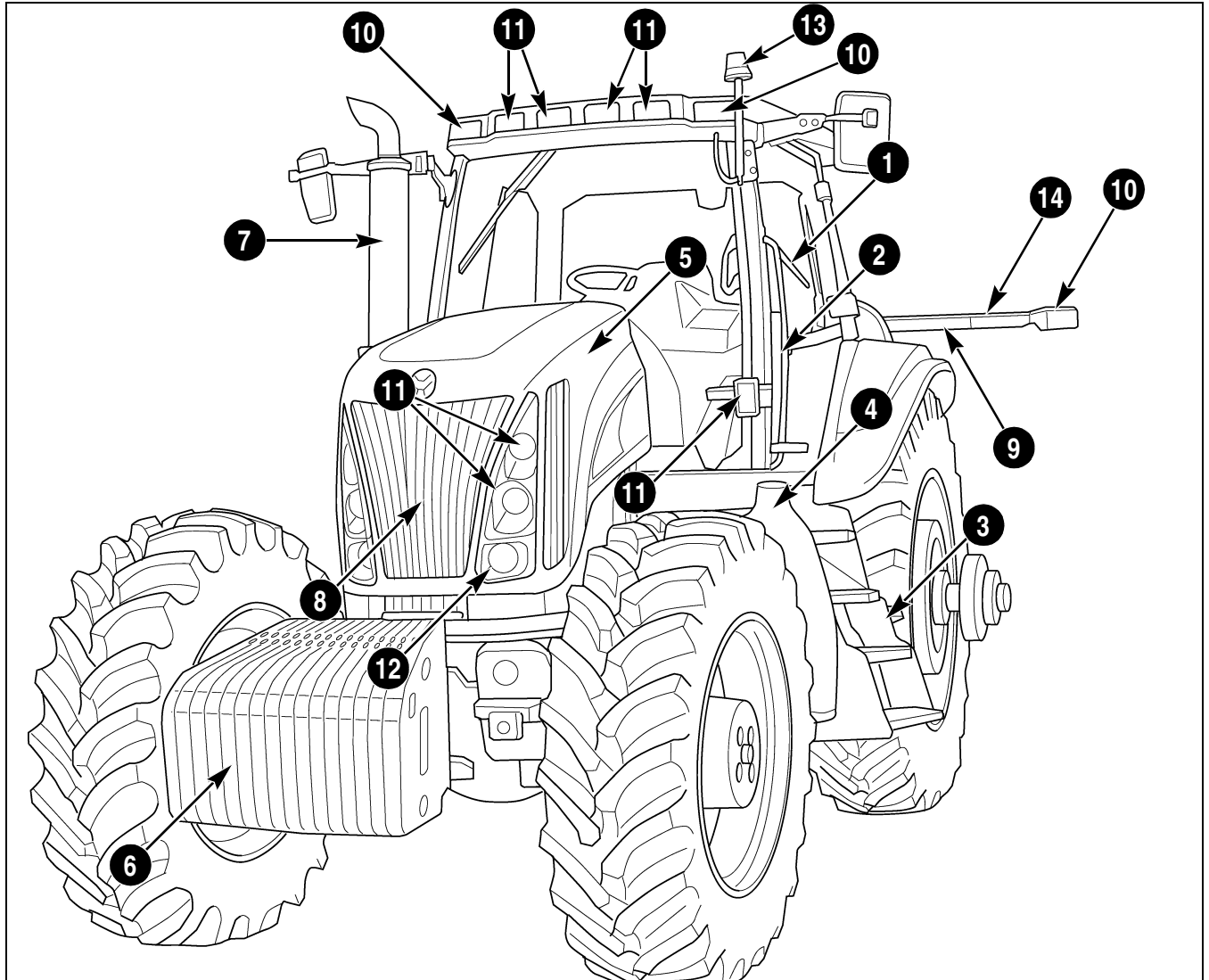
**Standard FWD Axle**



RH02G351

**TerraGlide Suspended FWD Axle**

## MACHINE COMPONENTS



- 1. ROPS CAB
- 2. HAND RAIL
- 3. STEPS
- 4. FUEL TANK

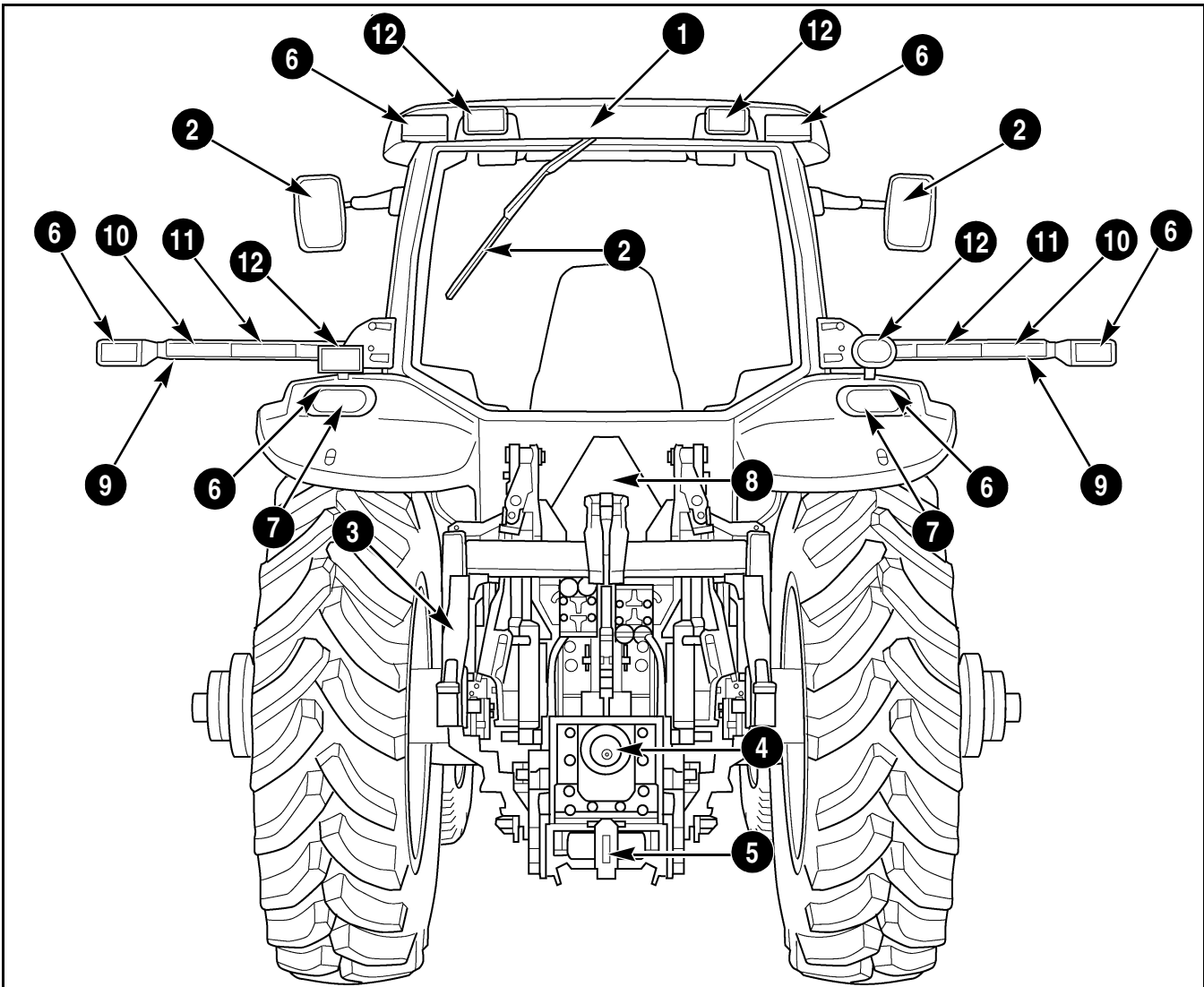
- 5. HOOD
- 6. FRONT WEIGHTS
- 7. EXHAUST STACK
- 8. FUEL COOLER, CONDENSER, AIR COOLER, OIL COOLER, RADIATOR

- 9. WIDE TRANSPORT MARKER
- 10. AMBER WARNING LAMP
- 11. WORK LAMP

- 12. ROAD LAMP
- 13. SAFETY BEACON
- 14. AMBER REFLECTOR

RH02H066

1 - TO THE OWNER



RH02H067

- |                     |                        |                          |                                |
|---------------------|------------------------|--------------------------|--------------------------------|
| 1. ROPS CAB         | 4. POWER TAKEOFF (PTO) | 7. BRAKE & TAIL LAMP     | 10. RED REFLECTOR              |
| 2. REAR VIEW MIRROR | 5. DRAWBAR             | 8. SMV SYMBOL            | 11. ORANGE REFLECTOR           |
| 3. REAR HITCH       | 6. AMBER WARNING LAMP  | 9. WIDE TRANSPORT MARKER | 12. ROOF AND FENDER WORK LAMPS |

## BUSINESS BAND RADIOS

The power supply harness and antenna cable with low profile mount for a business band radio are present in tractors equipped with the business radio ready option. The business band radio, radio mounting bracket, and antenna are operator supplied. The recommended mounting location for the business band radio is under and to the right of the AM/FM radio. The bracket supplied with the business band radio must be used.

The AM/FM radio must be removed for access to the power and antenna harnesses and for proper positioning of the bracket. Mount the business radio bracket to the AM/FM radio-mounting bracket (hidden by the headliner). Attach the microphone to the same panel or the business band radio.

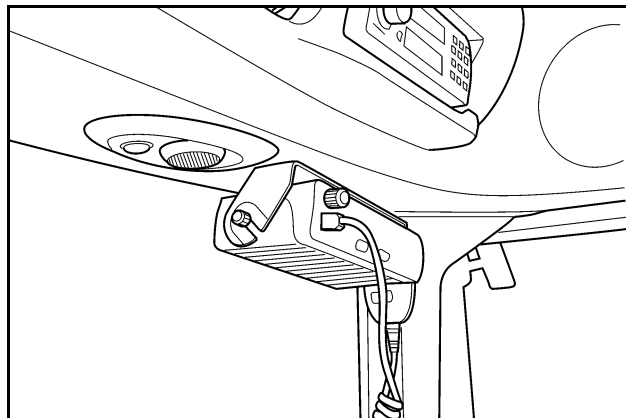
**NOTE:** When drilling mounting holes, do not damage any wiring harnesses. Use screws of an appropriate length to install the bracket and avoid contact with the AM/FM radio and harnesses.

Route the power and antenna harnesses to the business band radio. Drill a hole through the headliner at this location and use a grommet to protect the wires and cover the hole. The antenna mast mounting stud (2) is located on the cab roof near the operator's door. Remove the protective cap and install the antenna on the threaded stud.

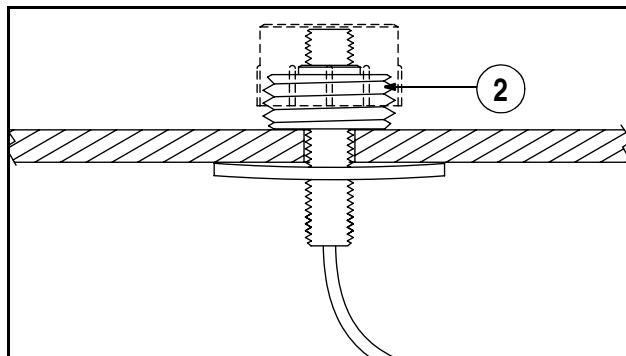
The stud is already wired with RF-58/U cable, which is routed behind the AM/FM radio for easy connection to your business band radio.

**NOTE:** The antenna mast must be purchased locally and must be compatible with an Antenna Specialist Model K-794 low profile antenna mount. See Antenna Specialists at [www.antenna.com](http://www.antenna.com) for additional information.

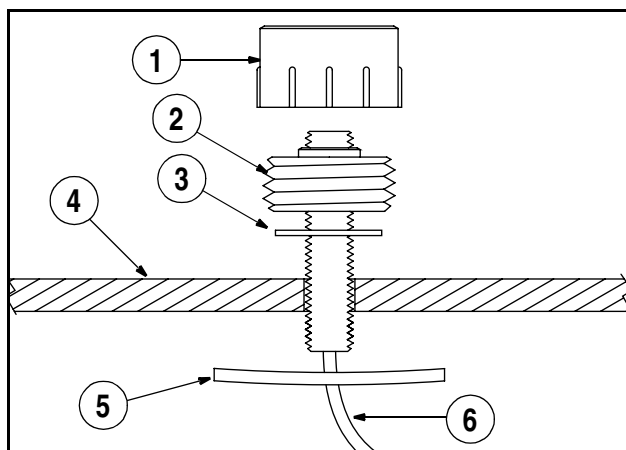
**NOTE:** See your New Holland dealer if your tractor is not business band radio ready for installation of this option.



RH02H164



RG02H173



RI02H010

- |                   |                      |
|-------------------|----------------------|
| 1. PROTECTIVE CAP | 4. CAB ROOF          |
| 2. MOUNTING STUD  | 5. THREADED FASTENER |
| 3. O-RING         | 6. CABLE             |

Thank you so much for reading.  
Please click the “Buy Now!”  
button below to download the  
complete manual.



After you pay.

You can download the most  
perfect and complete manual in  
the world immediately.

Our support email:

[ebooklibonline@outlook.com](mailto:ebooklibonline@outlook.com)