

**JX1085C, JX1095C
Tractors**

Operator's Manual

87576885

SECTION SUMMARY

- 1 – Introduction and safety measures**
- 2 – General Information, Controls and Instruments**
- 3 – Field operation**
- 4 – Lubrication and Maintenance**
- 5 – Troubleshooting**
- 6 – Vehicle storage**
- 7 – Accessories**
- 8 – Specifications and Data**
- 9 – Running-in period**
- 10 – Alphabetical Index**

Electro-magnetic Interference (EMC)

This tractor complies strictly with the European Regulations on electro-magnetic emissions.

However, interference may arise as a result of add-on equipment which may not necessarily meet the required standards.

As such interference can result in serious malfunction of the unit and/or create unsafe situations, you must observe the following:

- Ensure that each piece of non-CASE IH equipment fitted to the tractor bears the CE mark.



- The maximum power of emission equipment (radio, telephones, etc.) must not exceed the limits imposed by the national authorities of the country where you use the tractor.
- The electro-magnetic field generated by the add-on system should not exceed 24 V/m at any time and at any location in the proximity of electronic components.

Failure to comply with these rules will render the CASE IH warranty null and void.

CONTENTS

Section – Page

SECTION 1

| | |
|---|------|
| Communications for the user | 1-1 |
| Tractor identification | 1-2 |
| Important ecological considerations | 1-5 |
| Always work safely | 1-6 |
| Working safely | 1-7 |
| Safety decals | 1-15 |
| Standard symbols | 1-20 |
| Tractor noise level information sheet | 1-21 |

SECTION 2

| | |
|--|------|
| General notes, controls and instruments | 2-1 |
| Control panel with analog instrument | 2-2 |
| Digital instrument control panel | 2-7 |
| Operation indicator light panel | 2-8 |
| Operating controls | 2-17 |
| Seat adjustment | 2-22 |
| Steering wheel adjustment | 2-25 |
| Cab | 2-26 |
| Air conditioned cab | 2-33 |
| Transmission with range gear and mechanical shuttle, 30/40 km/h version (8F+8R) model JX1085C | 2-42 |
| Transmission with range gear and mechanical shuttle, 30/40 km/h version (16F+16R) model JX1085C | 2-44 |
| Transmission with creeper and mechanical shuttle, 30/40 km/h version (28F+16R) JX1085C | 2-48 |
| Transmission with range gear, mechanical shuttle and splitter, 30/40 km/h version (32F+16R) JX1085C | 2-50 |
| Transmission with creeper, mechanical shuttle and splitter, 30/40 km/h version (44F+16R) JX1085C | 2-52 |
| Transmission with electro-hydraulic dual command (2 speed power shift) / power-shuttle, 30/40 km/h version (32F+ 16R) model JX1085C | 2-53 |
| Transmission with hydraulic dual command (2 speed power shift) / power-shuttle and creeper, 30/40 km/h version (44F+ 16R) JX1085C | 2-59 |

| | |
|--|------|
| Fast transmissions 40 km/h | 2-61 |
| Transmission with mechanical shuttle 40 km/h (12F+12R) (JX1095C only) | 2-69 |
| Transmission with electro-hydraulic shuttle 40 km/h (12F+12R) (JX1095C only) | 2-70 |
| Transmission with creeper and mechanical shuttle, 40 km/h version (20F+12R) (JX1095C only) | 2-73 |
| Transmission with splitter (mechanical dual command (2 speed power shift)) and mechanical shuttle, 40 km/h version (24F+12R) (JX1095C only) | 2-75 |
| Transmission with creeper and mechanical shuttle, 40 km/h version (32F+12R) (JX1095C only) | 2-76 |
| Transmission with electro-hydraulic dual command (2 speed power shift) / power-shuttle, 40 km/h version (24 or 32F + 12 R) (JX1095C only) | 2-77 |

SECTION 3

| | |
|--|------|
| Field operation | 3-1 |
| Starting and stopping | 3-2 |
| Starting with grid heater on request | 3-3 |
| Brakes | 3-6 |
| Mechanical four-wheel drive (model JX1085C only) | 3-8 |
| Electrohydraulically controlled four-wheel drive (standard JX1095C) (model JX1085C on request) | 3-9 |
| Differential lock | 3-10 |
| Electrohydraulic differential lock | 3-12 |
| Power Take-Off | 3-14 |
| Hydraulic lift with mechanical control | 3-19 |
| Electronically controlled hydraulic lift | 3-23 |
| Rear three-point linkage | 3-30 |
| Rear remote auxiliary control valves | 3-35 |
| Front 2 WD wheel track adjustment (model JX1085C) | 3-38 |
| Four-wheel drive steering angle adjustment | 3-40 |
| Inflation pressures | 3-53 |
| Permitted maximum weights | 3-60 |

SECTION 4

| | |
|---|------|
| Lubrication and maintenance | 4-1 |
| Running in period | 4-2 |
| Tractor refuelling | 4-3 |
| Access for inspection and maintenance | 4-5 |
| Lubrication and maintenance chart | 4-6 |
| Instrument panel warning lights | 4-8 |
| Every 10 hours of work | 4-11 |
| Every 50 hours of work | 4-15 |
| Every 300 hours of work | 4-19 |
| Every 600 hours of work | 4-23 |
| Every 1200 hours or every year | 4-25 |
| Every 1200 hours of work or every 2 years | 4-26 |
| Every 1800 hours of work | 4-32 |
| General Maintenance | 4-33 |
| Electrical system | 4-37 |
| Calibrations | 4-62 |
| Consumables | 4-72 |

SECTION 5

| | |
|---|-----|
| Troubleshooting, causes and solutions | 5-1 |
|---|-----|

SECTION 6

| | |
|------------------------------------|-----|
| Prolonged tractor inactivity | 6-1 |
|------------------------------------|-----|

SECTION 7

| | |
|--|------|
| Front power take-off | 7-2 |
| Mechanically controlled front hydraulic lift | 7-4 |
| Electronically controlled front hydraulic lift | 7-5 |
| Front three-point linkage | 7-11 |
| Towing equipment | 7-15 |
| Hydraulically operated towing hitch | 7-20 |
| Joystick with side auxiliary control valves | 7-22 |
| Control valve for trailer hydraulic brakes | 7-23 |

SECTION 8

| | |
|-------------------------------|-----|
| Specifications and data | 8-1 |
|-------------------------------|-----|

SECTION 9

| | |
|---|-----|
| Inspections and/or operations to be carried out | 9-1 |
|---|-----|

SECTION 10

| | |
|--------------------------|------|
| Alphabetical index | 10-1 |
|--------------------------|------|

COMMUNICATIONS FOR THE USER

GENERAL GUIDELINES

This Use and Maintenance Manual provides a guide for the user with regard to running-in, use and maintenance of the tractor.

Read this manual carefully and keep in a convenient place for future reference. Do not hesitate to contact your local dealer for any queries concerning your tractor. The dealer can provide skilled personnel, trained by the manufacturer, original service parts and all tools and equipment necessary for your service requirements.

The tractor is designed as a power generator and drive-propulsion unit for use in normal and traditional agricultural conditions.

The tractor is also designed to provide maximum performance, economic running and easy use over a wide range of operations. Prior to delivery, all machines are carefully inspected (by both the Manufacturer and your local authorised dealer), to make sure that they reach the user in perfect condition. To maintain the tractor in this condition and ensure trouble-free operation, the routine maintenance described in Section 3 of this manual must be carried out at the specified intervals.

CLEANING THE TRACTOR

Your tractor is an advanced machine, fitted with an electrohydraulic control system. Care must be taken when cleaning the tractor, especially if a pressurized water cleaner is used.

- Never stand too close to the tractor or direct the water jet on electrical components, seals or intake openings, etc.
- Never direct jets of cold water at the hot engine or exhaust. See also page 42, Section 3 (RECOMMENDATIONS FOR BODYWORK MAINTENANCE).

SAFETY

Safety precautions for the operator and bystanders are shown on page vi to xii inclusive. Read the safety instructions and follow recommendations and hints **before** starting to use the tractor.

FIRST 50 – HOUR SERVICE

The operations required for the first service are shown at the end of the Manual, immediately prior to the index.

After the first 50 hours of use, return to the dealer with your tractor and this Manual in order to carry out the Manufacturer's checks and to fill in the certificates included on pages 1 and 3). The first sheet (page 1) must be compiled on completion of the service and held by the dealer. The second sheet (page 3) must be kept in the Manual for documentation and reference purposes. **Check that both copies are signed by both yourself and the dealer.**

SERVICE PARTS

"Non-original" spare parts have not been tested or authorised by the Manufacturer. Installment and/or use of such products may adversely affect the tractor's design specifications, thereby compromising operational safety. The manufacturer cannot be held responsible for any damage resulting from the use of "non-original" spare parts.

No modifications may be made to the tractor without written authorisation from the Manufacturer

WARRANTY

The tractor is guaranteed in accordance with current legislation in your country and in line with contractual agreements reached with the dealer at the time of sale. However, the warranty is no longer valid if the rules and instructions for the use and maintenance of the tractor, described in this Manual, are not observed.

TRACTOR IDENTIFICATION

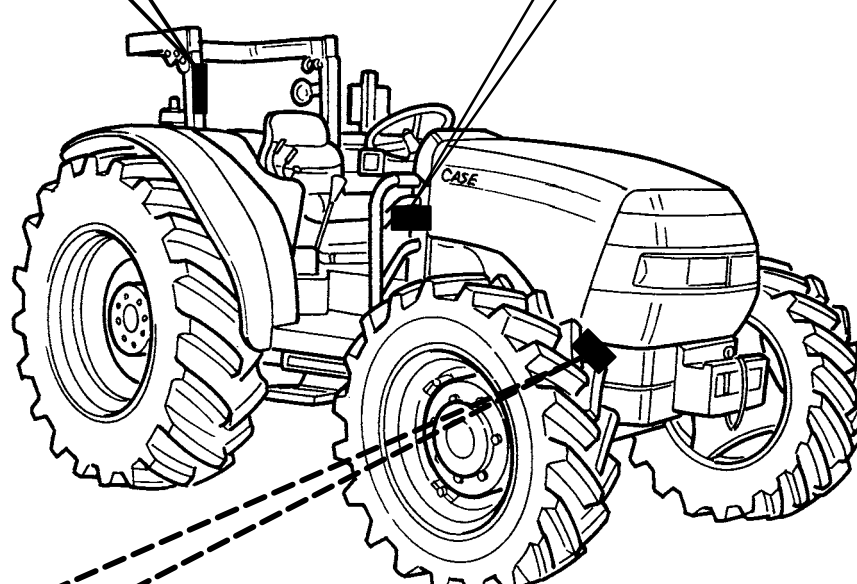
Serial numbers identify the tractor and its main components. The identification data must be supplied by the dealer for requests for spare parts or service operations. Identification data is of fundamental importance in the event of theft of the tractor. The location of the various identification data is shown below.

Frame identification data plate.

| | | | |
|------|---|------------------|-------|
| FRAT | SAFETY STRUCTURE | TYPE/MODEL | Italy |
| | STRUCTURE TESTED | | |
| | SAC- | D.E.C.O. REPORT- | |
| | TH | CSHA- | |
| | FRANCE MAP/DUNGE STRUCTURE | | |
| | SP. TS - N° | | |
| | DIN DOCUMENT AN INDIRIZZORI PER ANNEGGI/SI/SMET | | |
| | VEHICLE WEIGHT FOR SAE TEST | KG | LB |
| | STRUCTURE SERIAL | | N° |

Frame and engine type identification data plate.

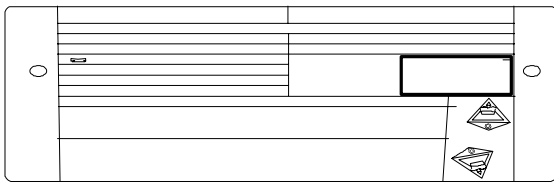
| | |
|---|----------|
| TIPO | |
| OM/LOCALIZIONE | |
| TELENO | |
| MASSA TOTALE AMMISSIBILE (kg) | |
| CARICO AMMISSIBILE SULL'ASSE ANTERIORE (kg) | DA: A: |
| CARICO AMMISSIBILE SULL'ASSE POSTERIORE (kg) | DAL: AL: |
| CARICO RIMORCHIABILE AMMISSIBILE | |
| MASSA RIMORCHIABILE NON FRENATA (kg) | |
| MASSA RIMORCHIABILE CON FRENATURA INDIPENDENTE (kg) | |
| MASSA RIMORCHIABILE CON FRENATURA AD INERZIA (kg) | |
| MASSA RIMORCHIABILE CON FRENATURA ASSISTITA (kg) | |
| COEFFICIENTE ASSORBIMENTO | |



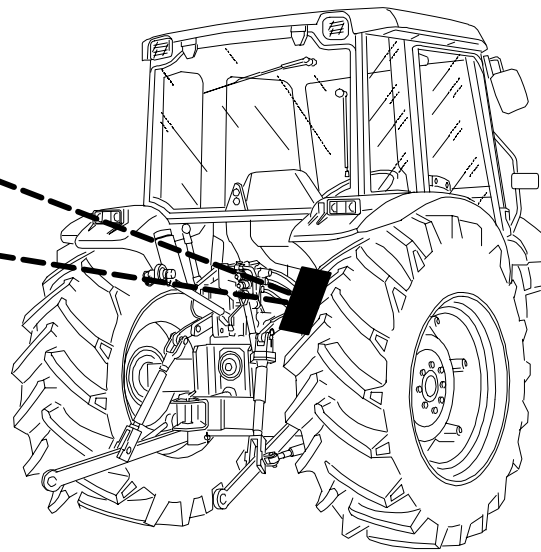
MDF0740A

Tractor frame number identification data plate (stamped on the axle support under the bonnet).

☆0000000000☆

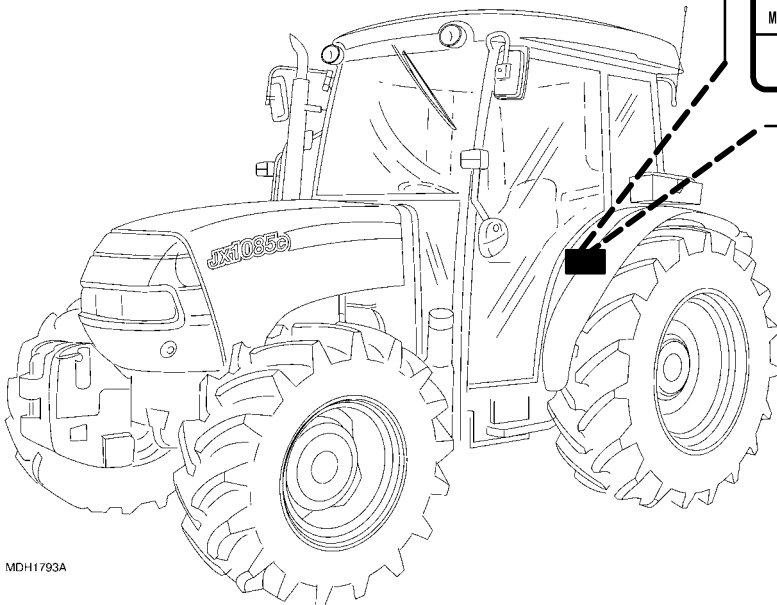


**Cab identification data plate
(rear fitted on support).**

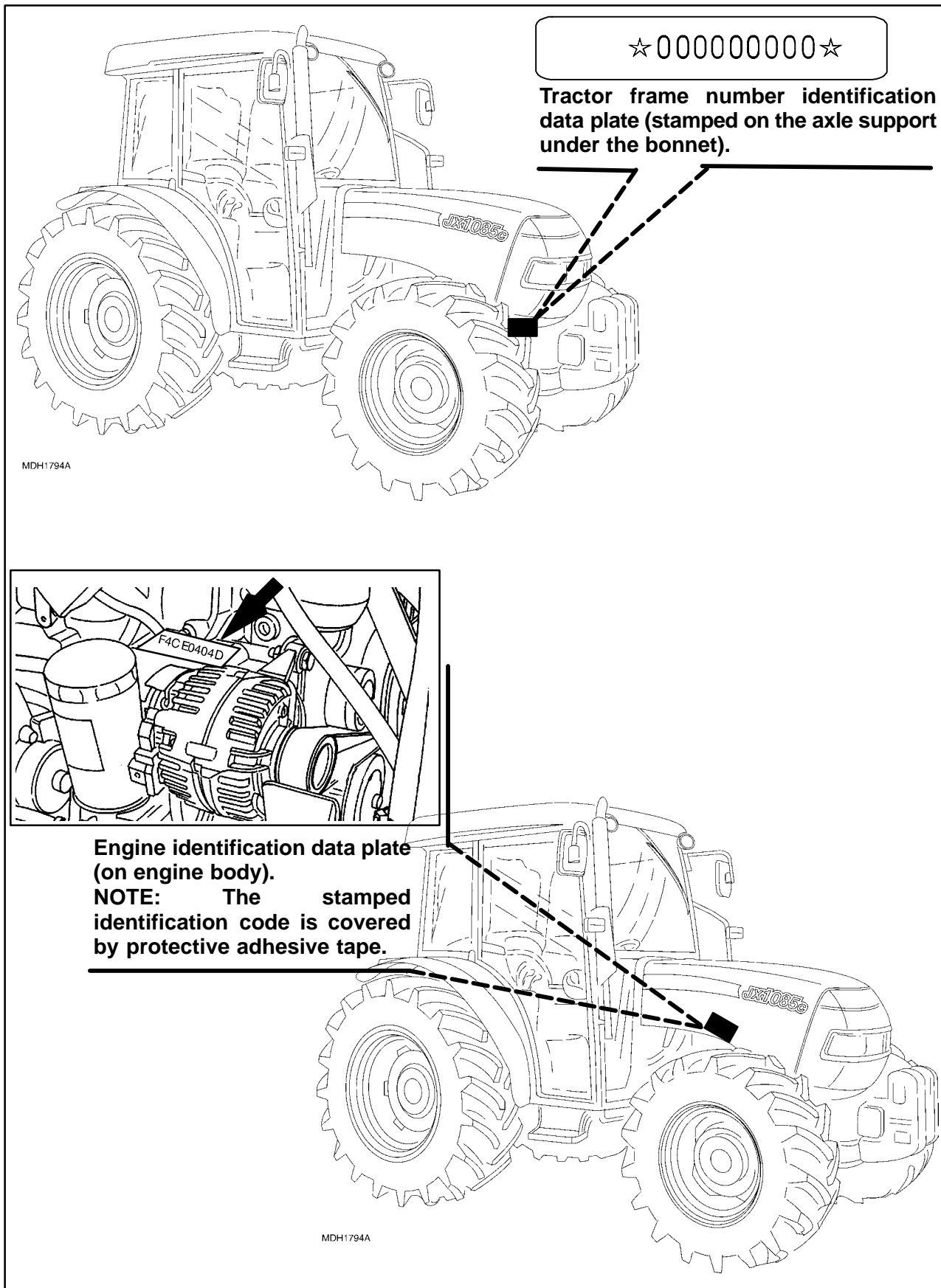


| | | |
|---|-------------------|--|
| TIPO | | |
| OMLOGAZIONE | | |
| TELAIO | | |
| MASSA TOTALE AMMISSIBILE (kg) | | |
| CARICO AMMISSIBILE SULL'ASSE ANTERIORE (kg) | DA: A: | |
| CARICO AMMISSIBILE SULL'ASSE POSTERIORE (kg) | DA: A: | |
| CARICO RIMORCHIABILE AMMISSIBILE | | |
| MASSA RIMORCHIABILE NON FRENATA (kg) | | |
| MASSA RIMORCHIABILE CON FRENATURA INDIPENDENTE (kg) | | |
| MASSA RIMORCHIABILE CON FRENATURA AD INERZIA (kg) | | |
| MASSA RIMORCHIABILE CON FRENATURA ASSISTITA (kg) | | |

**Frame and engine type identification
data plate (inside the cab).**



MDH1793A



IMPORTANT ECOLOGICAL CONSIDERATIONS

Soil, air and water are essential elements for agriculture and for life in general. If local legislation does not control the treatment of certain substances, the production of which is necessitated by advanced technologies, products derived from chemical and petrochemical products must be used and disposed of according to the rules of common sense.

The following recommendations may be of help:

- Find out what the relevant legislation in your country stipulates.
- Ask your suppliers of lubricants, oils, fuels, anti-freeze, detergents, etc.. for information on the effects of these products on humans and the environment and for instructions concerning their use, storage and disposal. In many cases, local agricultural consultants will be able to provide assistance.

SUGGESTIONS

1. Avoid using unsuitable, pressurised filling systems or fuel cans when filling tanks, as these may cause considerable spillage and leakage of liquids.
2. As a general rule, do not allow liquid fuels, lubricants, acids, solvents, etc., to come into contact with the skin. The majority of these products contain substances that are potential health hazards.
3. Modern lubricants contain additives. Do not burn contaminated fuel oils and/or oils used in conventional heating systems.

4. Avoid spillage when transferring used engine cooling liquids, engine and transmission lubricants, hydraulic oils, brake fluids, etc.. Never mix used brake oil with fuel oil, or fuel oil with lubricants. Store safely until suitable disposal can be arranged according to national legislation or local regulations.
5. Modern anti-freeze liquids and solutions, e.g. anti-freeze and other additives, must be replaced every two years. They must not be left to be absorbed into the ground, but must be collected and disposed of in a suitable manner.
6. Do not open the air conditioning systems to carry out work. These systems contain gas that must not be released into the atmosphere. Contact your dealer or specialised personnel, who are equipped with the appropriate equipment and are authorised to re-fill the system.
7. Any leakage or defect in the engine cooling or hydraulic systems must be repaired immediately.
8. Do not increase the pressure in pressurised systems, as this may cause component parts to burst.
9. When welding, make sure that hoses are properly protected as sparks or molten material may puncture or weaken the tubes and sleeves, resulting in leakage of oil, cooling liquid, etc..
10. Do not adjust the setting of the fuel delivery system as this will alter the emission of exhaust fumes.

NOTE: THE ENGINES INSTALLED ON THE TRACTORS COMPLY WITH ANTI-POLLUTION LEGISLATION.

ALWAYS WORK SAFELY



This warning symbol points out important messages concerning your safety.

Read the following safety regulations carefully and follow the recommendations in order to avoid potential hazards and safeguard your health and safety.

In this manual the symbol is accompanied by the following key-words:



When the warning is to prevent potential damage to the machine, which could also put the operator's safety at risk.



This warning specifically indicates a potential danger to the user or to any other person directly involved.

Failure to observe the instructions preceded by the aforementioned key words (**CAUTION** and **DANGER**) may result in severe or fatal injury to the people involved.

Furthermore, this manual also contains instructions in italics preceded by the terms **NOTE** and **WARNING**, with the following relevance in relation to machine protection:

NOTE: Underlines the correct procedure or technique to be followed by the operator.



Warns the operator of the danger of damaging the machine if the specified procedure is not followed.

IMPORTANT WARNINGS

The machine is designed and produced exclusively for agricultural use.

All other use will be considered to be contrary to the use specified by CIH, who cannot be held liable for damage to property or the machine, or for personal injuries which may result.

Persons who risk improper use will therefore assume the responsibility for any consequences arising from such use.

Compliance with the instructions for use, maintenance and repairs described in this manual, are the essential preconditions for the use specified by CIH.

The machine must only be used, serviced or repaired by personnel trained in the relevant working methods and safety regulations and who have been authorised to work on the machine.

The user must also observe the rules concerning general safety and accident prevention, including the Highway Code when driving on public highways.

Any arbitrary modifications made to this machine will release CIH from any liability resulting from damage or injury.

CIH and all its distribution organisations, inclusive of, but not restricted to, national, regional or local distributors, cannot be held liable for damage resulting from the malfunction of parts and/or components not approved by CIH.

Under no circumstances will a guarantee be issued for products made or sold by CIH that are damaged as a result of the malfunction of parts and/or components not approved by CIH.

Buy Now



Our support email:

ebooklibonline@outlook.com