

NEW HOLLAND

T8010

T8020

T8030

T8040

T8050

87612879
First Printing

8/07

OPERATOR'S MANUAL



NEW HOLLAND

PERSONAL SAFETY



THIS SAFETY ALERT SYMBOL INDICATES IMPORTANT SAFETY MESSAGES IN THIS MANUAL. WHEN YOU SEE THIS SYMBOL, CAREFULLY READ THE MESSAGE THAT FOLLOWS AND BE ALERT TO THE POSSIBILITY OF DEATH OR SERIOUS INJURY. M171C




Throughout this manual and on the machine's safety decals, you will find precautionary statements: **DANGER**, **WARNING** or **CAUTION** followed by specific instructions or ISO two panel safety pictorial symbols. These precautions are intended for your personal safety.

Failure to follow the **DANGER**, **WARNING** or **CAUTION** instructions may result in death or serious bodily injury.

DANGER, **WARNING** or **CAUTION** are defined as follows:

- **DANGER:** Indicates an immediate hazardous situation that, if not avoided, will result in death or serious injury. The color associated with Danger is RED.
- **WARNING:** Indicates a potentially hazardous situation that, if not avoided, could result in death or serious injury. The color associated with Warning is ORANGE.
- **CAUTION:** Indicates a potentially hazardous situation that, if not avoided, may result in minor or moderate injury. It may also be used to alert against unsafe practices. The color associated with Caution is YELLOW.

ISO two panel **pictorial symbol decals** are defined as follows:

- The first panel indicates the nature of the hazard.
- The second panel indicates the appropriate avoidance of the hazard.
- Background color is YELLOW.
- Prohibition symbols such as   and  if used, are RED.



WARNING

IMPROPER OPERATION OF THIS MACHINE CAN CAUSE DEATH OR SERIOUS INJURY. BEFORE USING THIS MACHINE, MAKE CERTAIN THAT EVERY OPERATOR:

- Is instructed in safe and proper use of the machine.
- Reads and understands the Manual(s) pertaining to the machine.
- Reads and understands ALL Safety Decals on the machine.
- Clears the area of other persons.
- Learns and practices safe use of machine controls in a safe, clear area before operating this machine on a job site.

It is your responsibility to observe pertinent laws and regulations and follow CNH America LLC instructions on machine operation and maintenance.

CNH America LLC Technical Manuals

Manuals are available from your Dealer for the operation, service and repair of your machine. For prompt convenient service, contact your Dealer for assistance in obtaining the manuals for your machine.

Your Dealer can expedite your order for Operators Manuals, Parts Catalogs, Repair Manuals and maintenance records.

Always give the Machine Name, Model and P.I.N. (Product Identification Number) or S.N. (Serial Number) of your machine so your Dealer can provide the correct manuals for your machine.

CALIFORNIA

Proposition 65 Warning

Diesel engine exhaust and some of its constituents are known to the State of California to cause cancer, birth defects, and other reproductive harm.

Battery posts, terminals and related accessories contain lead and lead compounds. Wash hands after handling.

The company is continually striving to improve its products and therefore reserves the right to make improvements and changes when it becomes practical and possible to do so, without incurring any obligation to make changes or additions to the equipment sold previously.

All data given in this manual is subject to production variations. IMPORTANT: OPERATING AND SERVICE MESSAGES DISPLAYED ON THE ELECTRONIC OPERATING PANEL MAY VARY FROM WHAT IS SHOWN IN THE OPERATOR'S MANUAL. SHOULD THIS OCCUR ADHERE TO THE LATEST INSTRUCTION ON THE ELECTRONIC OPERATING PANEL.

Dimensions and weights are approximate only and the illustrations do not necessarily show the machine in standard condition. For exact information about any particular machine, please consult your dealer.

GENERAL TABLE OF CONTENTS

1 – TO THE OWNER	1
STATEMENT OF TRACTOR INTENDED USE	1
OPERATOR MANUAL STORAGE COMPARTMENT	1
TRANSPORT TOWED EQUIPMENT AT SAFE SPEEDS	2
PRODUCT IDENTIFICATION AND SERIAL NUMBERS	4
MACHINE COMPONENTS	6
BUSINESS BAND RADIOS	8
FRAME REINFORCEMENT KITS	9
2 – SAFETY/DECALS	10
SAFETY RULES	10
PERSONAL SAFETY	13
INSTRUCTIONAL SEAT SAFETY	13
MAINTENANCE SAFETY	14
FIRE SAFETY	14
BATTERY SAFETY	14
MACHINE OPERATION AND ROLL-OVER SAFETY	15
HAZARDOUS CHEMICALS	15
SAFETY DECALS	16
ROLLOVER PROTECTIVE STRUCTURE (ROPS)	22
CAB STRUCTURAL FRAME (CSF)	22
CLEANING CAB WINDOWS	23
INTERIOR REAR VIEW MIRROR	23
SEAT BELTS	24
TRACTOR WARNING LAMPS AND SMV SYMBOL	25
IMPLEMENT WARNING LAMPS AND SMV SYMBOL	28
SAFETY CHAIN	29
3 – OPERATING CONTROLS	30
TRACTOR ACCESS	30
OPERATOR SEAT AND CONTROLS	31
INSTRUCTIONAL SEAT (IF EQUIPPED)	34
STEERING COLUMN CONTROLS	35
FOOT PEDALS	36
CENTER CONSOLE CONTROLS	37
RIGHT HAND CONSOLE CONTROLS	39
ARMREST CONSOLE CONTROLS	47
RIGHT HAND FENDER CONTROLS	50
AUTOMATIC TEMPERATURE CONTROL SYSTEM	54
AUTOMATIC TEMPERATURE CONTROL OPERATION	57
INTELLIVIEW II DISPLAY	59
INTELLIVIEW PLUS II DISPLAY	59
REAR WINDOW	60
DOME LAMP	60
MAP LAMP (IF EQUIPPED)	61
STORAGE COMPARTMENT	61
RADIO (IF EQUIPPED)	61
MP3 PLAYER JACK (EARLY VERSION) (IF EQUIPPED)	62
MP3 PLAYER JACK (LATER VERSION) (IF EQUIPPED)	62
SUN SHADE (IF EQUIPPED)	62
INTERIOR REAR VIEW MIRROR	63
EXTENDABLE MIRRORS (IF EQUIPPED)	63
UTILITY CONSOLE	63
REAR FENDER CONTROLS	64

4 – INSTRUMENTATION	65
INSTRUMENTATION CLUSTER OVERVIEW	65
PROGRAMMING THE INSTRUMENTATION DISPLAY	72
PROGRAMMING THE OPERATOR ADJUST MENU	78
WARNING/FAULT DISPLAYS	83
INSTRUMENTATION CLUSTER OPERATION	89
5 – OPERATING INSTRUCTIONS	108
BEFORE STARTING THE ENGINE	108
SERVICE INDICATOR LAMPS AND BAR GRAPH DISPLAYS	109
SEAT BELTS	110
NORMAL ENGINE STARTING PROCEDURE	111
STOPPING THE ENGINE	113
COLD TEMPERATURE OPERATION	114
POWER SHIFT TRANSMISSION	117
TRANSMISSION	118
SHUTTLE SHIFTING	121
SUSPENDED FWD AXLE OPERATION (IF EQUIPPED)	136
DYNAMIC RIDE CONTROL OPERATION (IF EQUIPPED)	143
CONSTANT ENGINE SPEED OPERATION	145
TOWING THE TRACTOR	146
HOW TO TRANSPORT THE TRACTOR	149
6 – FIELD OPERATION	150
GENERAL PROCEDURES FOR CONNECTING IMPLEMENTS	150
POWER TAKEOFF (PTO)	152
THREE POINT HITCH	167
HITCH OPERATION	188
DRAWBAR PREPARATION	206
ZUIDBERG FRONT HITCH (IF EQUIPPED)	214
REMOTE HYDRAULICS	219
LOADER OPERATION	236
CHEMICAL TANK MOUNTING	237
AUXILIARY POWER CONNECTIONS	239
MONITOR MOUNTING	242
GROUND SPEED SENSOR CONNECTOR	243
TRAILER BRAKE CONNECTOR (IF EQUIPPED)	244
CAB STEPS	246
7 – IN-FIELD PERFORMANCE	247
DIFFERENTIAL LOCK	247
FWD OPERATION	251
BALLASTING YOUR TRACTOR FOR OPTIMUM PERFORMANCE	256
WHEEL SLIP	284
POWER HOP	286
TIRE COMBINATIONS FOR FWD TRACTORS	287
STEERING AND OSCILLATION STOPS	298
FRONT WHEEL FENDERS (IF EQUIPPED)	313
REAR AXLE	329
TRACTOR JACKING POINTS	332
REAR WHEEL TREAD SETTING - SINGLES	334
REAR WHEEL TREAD SETTING - DUALS	336
REAR WHEEL TREAD SETTING - TRIPLES	345
8 – LUBRICATION/FILTERS/FLUIDS/MAINTENANCE	348
ENVIRONMENT	348
PLASTIC AND RESIN PARTS	348

TOOL BOX (IF EQUIPPED)	348
SYSTEM CAPACITIES	349
HOOD ACCESS	353
LUBRICATION/MAINTENANCE CHART	356
9 – ELECTRICAL SYSTEM	410
SPECIFICATIONS	410
RADIO REGIONAL PROGRAMMING	415
BATTERY SYSTEM SERVICING	416
BULB AND LAMP REPLACEMENT	419
10 – SPECIFICATIONS	434
DIESEL ENGINE	434
POWER TRAIN	435
TRAVEL SPEEDS	438
MAXIMUM RECOMMENDED OPERATING WEIGHTS	451
INDEX	453
DELIVERY REPORT	459
FIRST 50-HOUR SERVICE	463

TO THE OWNER

This manual contains important information about the safe operation, adjustment and routine maintenance of your New Holland T8000 Series Tractor. The manual is divided into ten sections as outlined in the General Table of Contents Page(s). Refer to the Detail Index at the end of this manual for locating specific items about your tractor.

DO NOT operate or permit anyone to operate or service this machine until you or the other persons have read this manual. Use only trained operators who have demonstrated the ability to operate and service this machine correctly and safely.

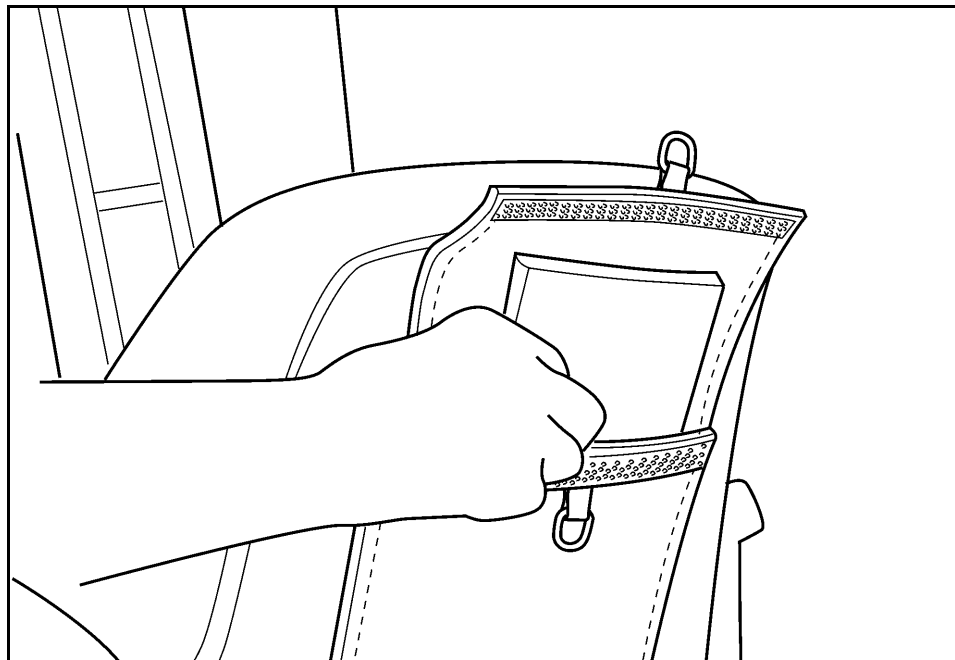
This Operator's Manual is to be stored in the manual compartment equipped on this machine. Make sure this manual is in good condition. Contact your New Holland dealer to obtain additional manuals. Contact your dealer for any further information or assistance about your machine. Your dealer has New Holland approved service parts. Your dealer has technicians with special training that know the best methods of repair and maintenance for your tractor.

STATEMENT OF TRACTOR INTENDED USE

The New Holland T8000 Series Tractor, with standard equipment and authorized attachments, is intended to be used for customary farming, land leveling and related agriculture operations. Installation of utility (dozer) blades, tile plows, or push bars on the tractor is not recommended. Any tractor damage resulting from the installation and/or use of such equipment is not covered by the tractor warranty.

Consult an authorized dealer or New Holland on changes, additions or modifications that can be required for this machine to comply with various regulations and safety requirements. Unauthorized modifications will cause serious injury or death. Anyone making such unauthorized modifications is responsible for the consequences.

OPERATOR MANUAL STORAGE COMPARTMENT



RH02K117

Keep the Operator's Manual in the storage compartment provided on your tractor. The Operator's Manual must be available for use by all operators.

NOTE: The right hand and left hand side of the tractor used in this manual are the same as your right hand and left hand when sitting in the tractor seat looking forward.

TRANSPORT TOWED EQUIPMENT AT SAFE SPEEDS

Your tractor is capable of operating at speeds that exceed the maximum allowable transport speed for most towed equipment.

Before transporting towed equipment, read the operator manual for the equipment. Ensure that equipment is correctly installed, know how to transport it safely,

Never transport at speeds that exceed the equipment's maximum transport speed. Exceeding the equipment's maximum transport speed may result in reduced braking performance and/or loss of control of the tractor and its towed equipment.

Unless otherwise specified by the equipment manufacturer or legislation, observe the following when towing.

For towed equipment without brakes. Do not tow equipment that does not have brakes

- At speeds over 32 km/h (20 mile/h); or
- That, when fully loaded, has a mass (weight) over 1.5 metric tonnes (3300 lb.) and more than 1.5 times the mass (weight) of the tractor
- When trailer brakes are required by law
- That has a mass (weight) that exceeds the values declared on the tractor PIN plate (as applicable)

For towed equipment with brakes. Do not tow equipment that has brakes

- At speeds over 40 km/h (25 mile/h); or
- That, when fully loaded has a mass (weight) more than 2.5 times the mass (weight) of the tractor
- That has a mass (weight) that exceeds the values declared on the tractor PIN plate (as applicable)

T8000 SERIES TRACTOR



T8000 Series Tractor with Standard FWD Axle

RH02H066



T8000 Series SuperSteer Tractor with Front and Rear Duals

RH02H314

PRODUCT IDENTIFICATION AND SERIAL NUMBERS

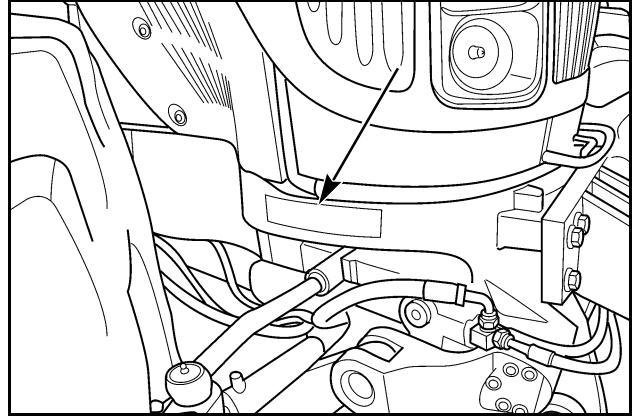
Write your machine Model Number, Product Identification Number (P.I.N.) and Serial Numbers of major components on the lines provided. If needed, give these numbers to your New Holland dealer when you need parts or information for your machine.

TRACTOR MODEL AND PRODUCT IDENTIFICATION NUMBER

Model: _____

P.I.N.: _____

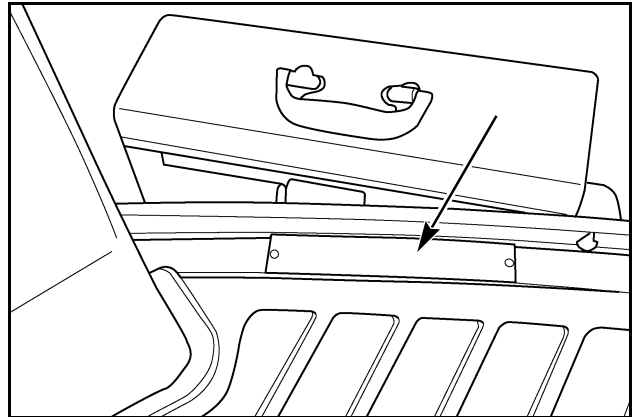
Located on right hand front casting.



RH02G156

ROLLOVER PROTECTION SYSTEM (ROPS) SERIAL NUMBER

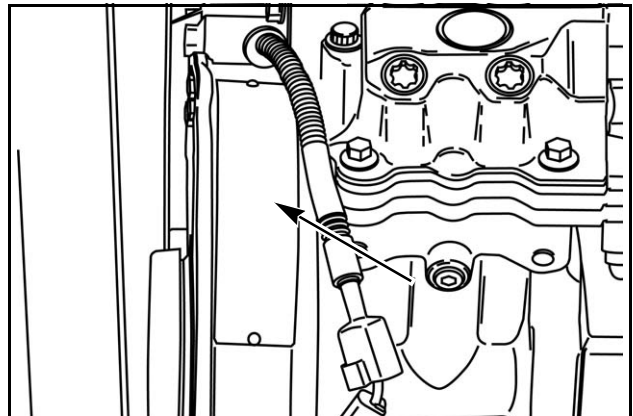
Located on the right hand cab floor.



RH02H174

ENGINE SERIAL NUMBER

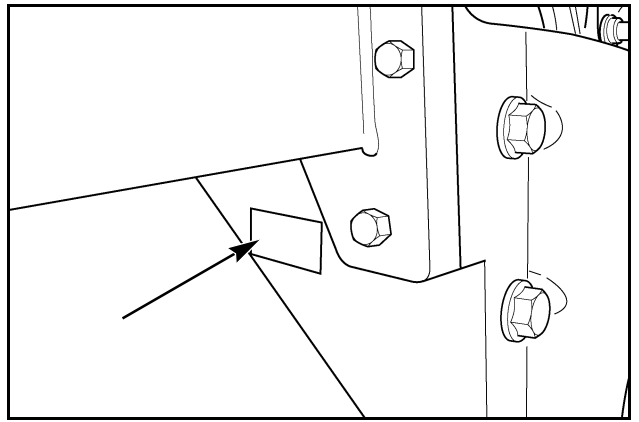
Located on front left hand side of engine.



RD05J164

TRANSMISSION SERIAL NUMBER

Located on the right hand side of the transmission behind the fuel tank and to the left of the ground stud.



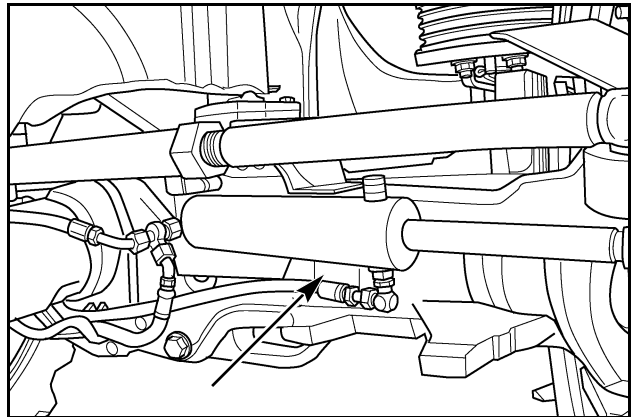
RH02H302

AXLE SERIAL NUMBER

STANDARD FWD AXLE: Located on the rear right hand side of the axle housing.

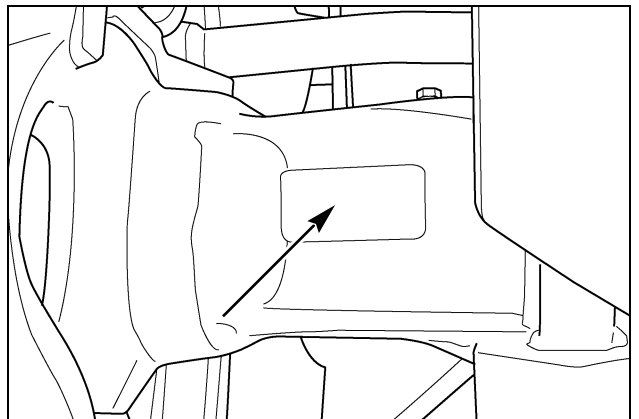
SUSPENDED AXLE: Located on the front right hand side of the axle housing.

SUPERSTEER AXLE: Located on the front right hand side of the axle housing.



RH02H178

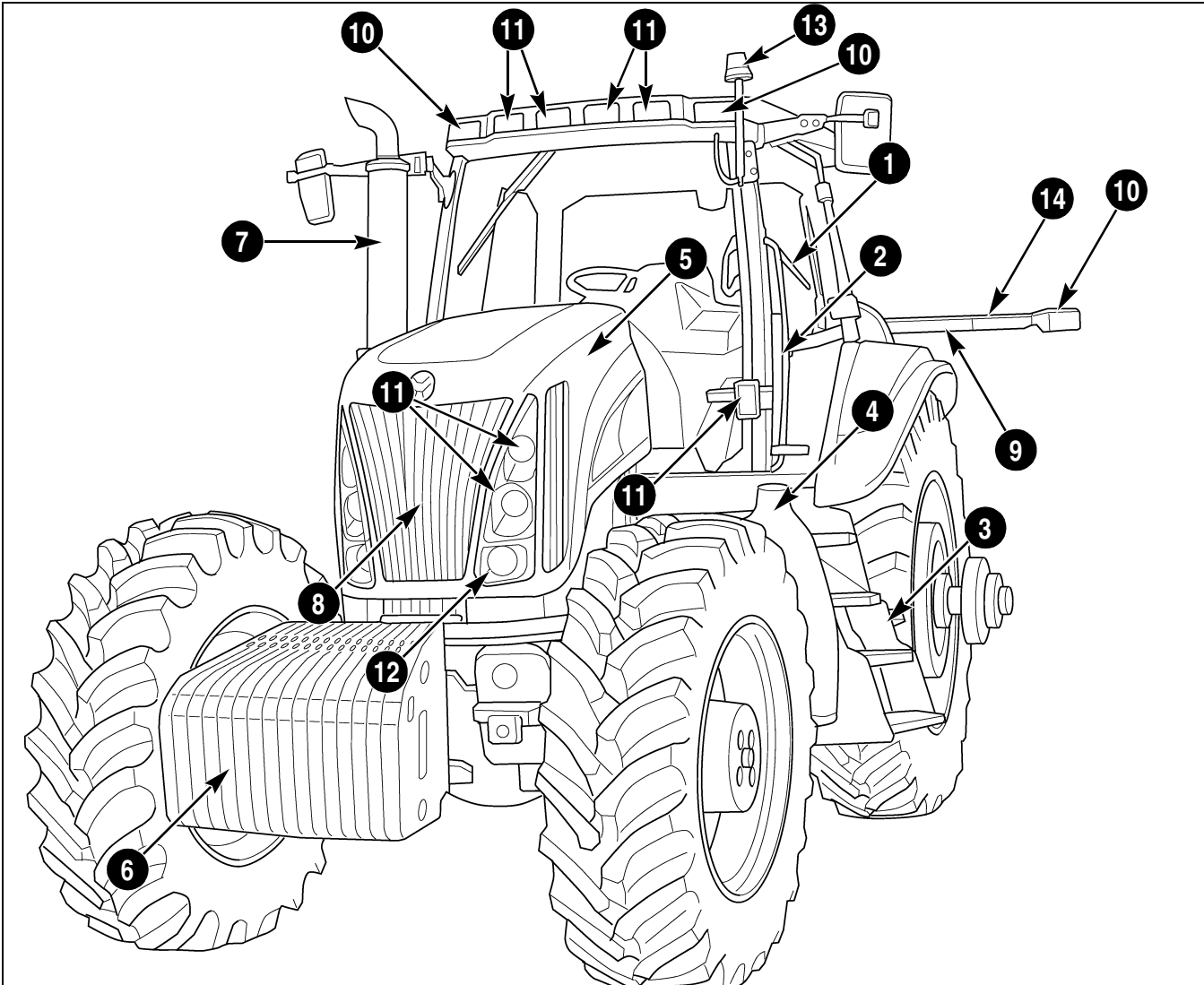
Standard FWD Axle



RH02G351

TerraGlide Suspended FWD Axle

MACHINE COMPONENTS

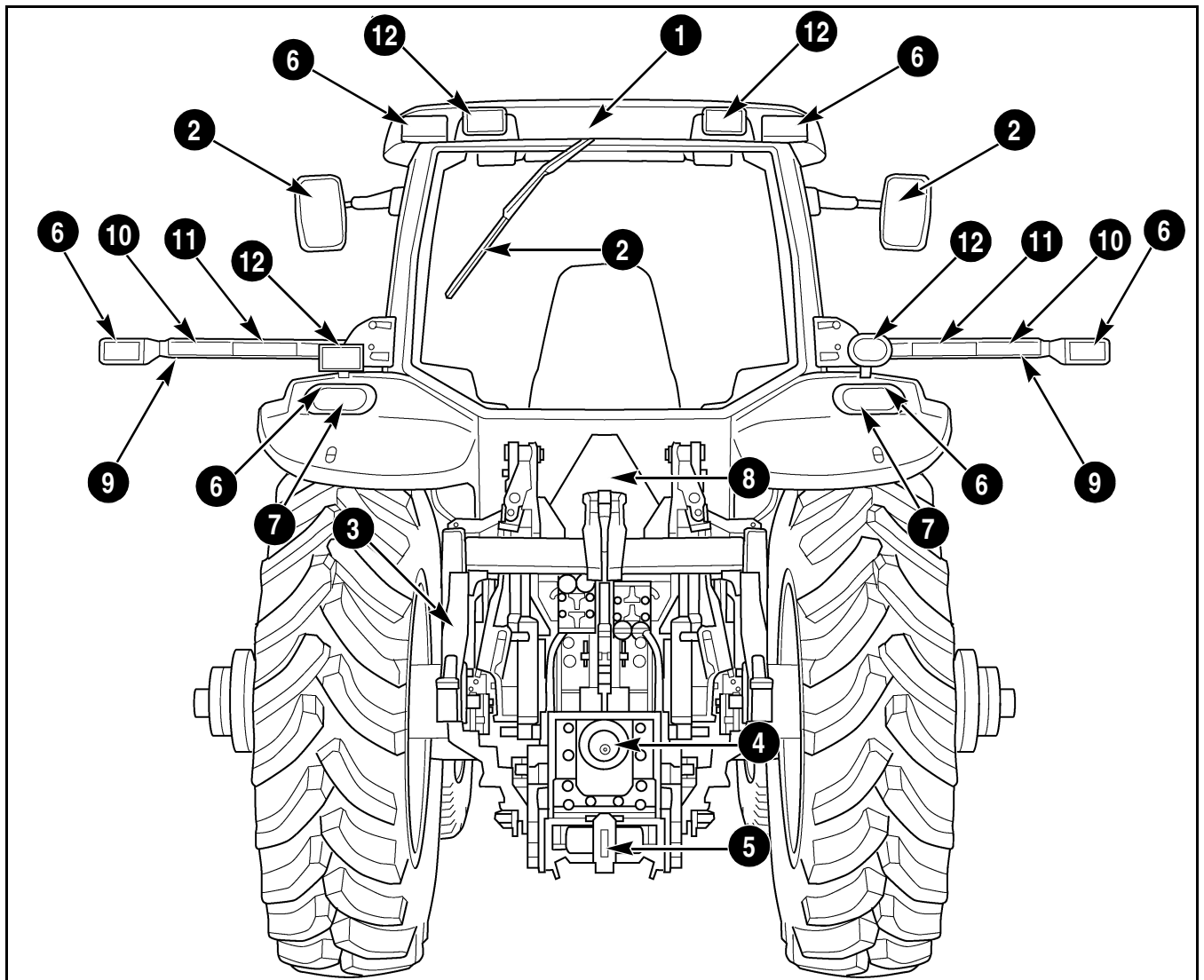


- 1. ROPS CAB
- 2. HAND RAIL
- 3. STEPS
- 4. FUEL TANK

- 5. HOOD
- 6. FRONT WEIGHTS
- 7. EXHAUST STACK
- 8. FUEL COOLER, CONDENSER, AIR COOLER, OIL COOLER, RADIATOR
- 9. WIDE TRANSPORT MARKER
- 10. AMBER WARNING LAMP
- 11. WORK LAMP

- 12. ROAD LAMP
- 13. SAFETY BEACON
- 14. AMBER REFLECTOR

RH02H066



RH02H067

- 1. ROPS CAB
- 2. REAR VIEW MIRROR
- 3. REAR HITCH

- 4. POWER TAKEOFF (PTO)
- 5. DRAWBAR
- 6. AMBER WARNING LAMP

- 7. BRAKE & TAIL LAMP
- 8. SMV SYMBOL
- 9. WIDE TRANSPORT MARKER

- 10. RED REFLECTOR
- 11. ORANGE REFLECTOR
- 12. ROOF AND FENDER WORK LAMPS

Thank you so much for reading.
Please click the “Buy Now!”
button below to download the
complete manual.



After you pay.

You can download the most
perfect and complete manual in
the world immediately.

Our support email:

ebooklibonline@outlook.com