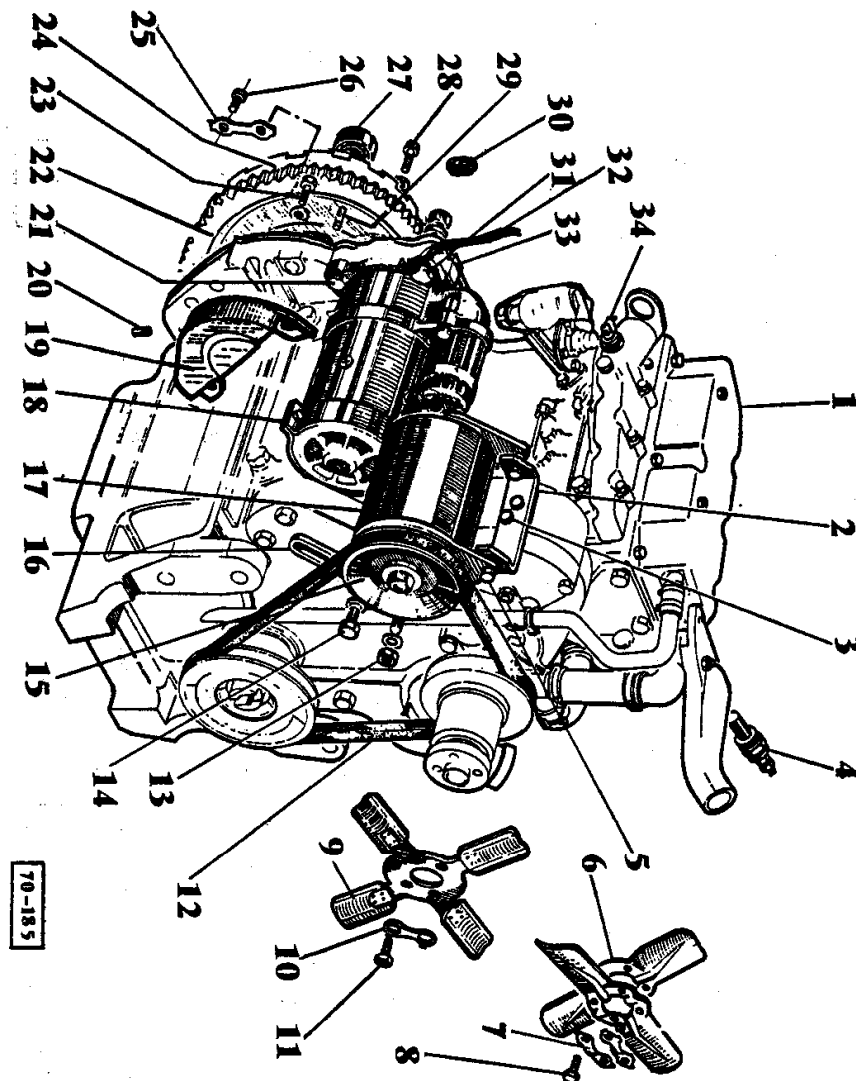


Page Title	Page Number
ENGINE AND ACCESSORIES	3
STARTER - BOSCH	7
STARTER - PARIS-RHONE 968296M1	8
STARTER - DUCELLIER 968856M1	11
GENERATOR - BOSCH	12
GENERATOR	15
GENERATOR	16
GENERATOR - C 40 A - 22780 A/B LUCAS 897104M92	19
ELECTRICAL EQUIPMENT - BOARD BATTERY	20
FUEL SYSTEM	24
TANK	28
FUEL FILTER - AC DELCO	31
AIR CLEANER - PROUST PERMATIC	32
AIR CLEANER - LAUTRETTE	35
AIR CLEANER - SIAGA	36
AIR CLEANER - LAUTRETTE	39
PRE CLEANER - PERMATIC	40
CLUTCH ASSEMBLY - SINGLE AND DUAL BRAKES	43
CLUTCH ASSEMBLY - SINGLE AND DUAL BRAKES	47
CLUTCH - 12 CLUTCH	48
CENTRE HOUSING	51
CENTRE HOUSING	55
SELECTOR MECHANISM	59
SELECTOR MECHANISM	60
SELECTOR MECHANISM	64
TRANSMISSION	67
8 SPEED GEAR BOX	71
TRANSMISSION - MULTI-POWER	76
SHIFT CONTROL MULTI-POWER	83
PUMP, CONTROL VALVE, PIPE MULTI-POWER	84
HYDRAULIC PUMP	88
PTO-SHIFTER MECHANISM	91
INDEPENDENT PTO	92
CLUTCH AND VALVE, INDEPENDENT PTO	95
PUMP - INDEPENDENT P.T.O.	96
MULTI-POWER PUMP AND DRIVE - INDEPENDENT P.T.O.	99
MULTI-POWER PIPE	100
INDEPENDENT PTO PIPE - MULTI-POWER TRANSMISSION ONLY	103
INDEPENDENT PTO PIPE - NORMAL TRANSMISSION	104
CENTRE HOUSING	107
DIFFERENTIAL	111
DIFFERENTIAL LOCK CONTROLS	115
REAR AXLE - FOR DRUMBRAKES	116
DRUM BRAKE	120
SINGLE BRAKE	124
DRUM BRAKES	128
WHEELS	132
POWER ASSISTED VARIABLE TREADWHEELS	135
FRONT AXLE - STANDARD AND NARROW	136
FRONT AXLE - VINEYARD	140
FRONT AXLE - 140 SUPER	144
STEERING	152
HOOD	156

SHEET METAL	160
COOLING SYSTEM	167
INSTRUMENT PANEL AND INSTRUMENTS	168
SEAT AND FOOTSTEPS - STANDARD AND NARROW	172
SEAT - STANDARD AND NARROW	176
FOOTSTEP - STANDARD AND NARROW	179
FENDERS AND TOOL BOX	183
SEAT - FENDERS - FOOTSTEPS - VINEYARD	184
SEAT - FENDERS - FOOTSTEPS - VINEYARD	188
FENDERS - FOOTSTEPS	192
FENDERS - FOOTSTEPS	196
SEAT - FRITZMEIER	200
SEAT SUSPENSION - FRITZMEIER	203
SEAT - SABLE	204
SEAT - SABLE	207
FENDER	208
EXHAUST SYSTEM	211
THROTTLE CONTROLS	215
SPEED LIMITATION - GERMANY	219
LIGHTING EQUIPMENT	220
HEAD LAMPS AND TAIL LAMPS	224
LIGHTING - GERMANY - BELGIUM	231
HEAD LAMPS AND TAIL LAMPS - GERMANY - BELGIUM	235
LIGHTING EQUIPMENT	240
HEAD LAMPS AND TAIL LAMPS	244
LIGHTING EQUIPMENT	251
HEAD LAMPS AND TAIL LAMPS	255
LIGHTING - PLASTIC FENDERS	260
HEAD LAMPS AND TAIL LAMPS - PLASTIC FENDERS	264
HYDRAULIC LIFT COVER	268
LIFT ARMS	272
RESPONSE CONTROLS - PRESSURE CONTROL	276
HYDRAULIC PUMP	283
DRAFT CONTROL - STANDARD AND NARROW	288
DRAFT CONTROL - VINEYARD - VINEYARD	295
DRAFT CONTROL	299
UPPER AND LOWER LINKS AND RELATED PARTS - STANDARD	300
UPPER AND LOWER LINKS AND RELATED PARTS - NARROW	307
UPPER AND LOWER LINKS AND RELATED PARTS - VINEYARD	311
UPPER AND LOWER LINKS AND RELATED PARTS - GERMANY	316
FOOTSTEP R.H. FOR SIDE P.T.O.	323
HANDBRAKE - FOR DRUM BRAKES	324
STABILIZERS - VNMY	327
STABILIZERS - SNMY	328
STABILIZERS	332
PULLEY ATTACHMENT ASSEMBLY	335
STARTING FUEL	336

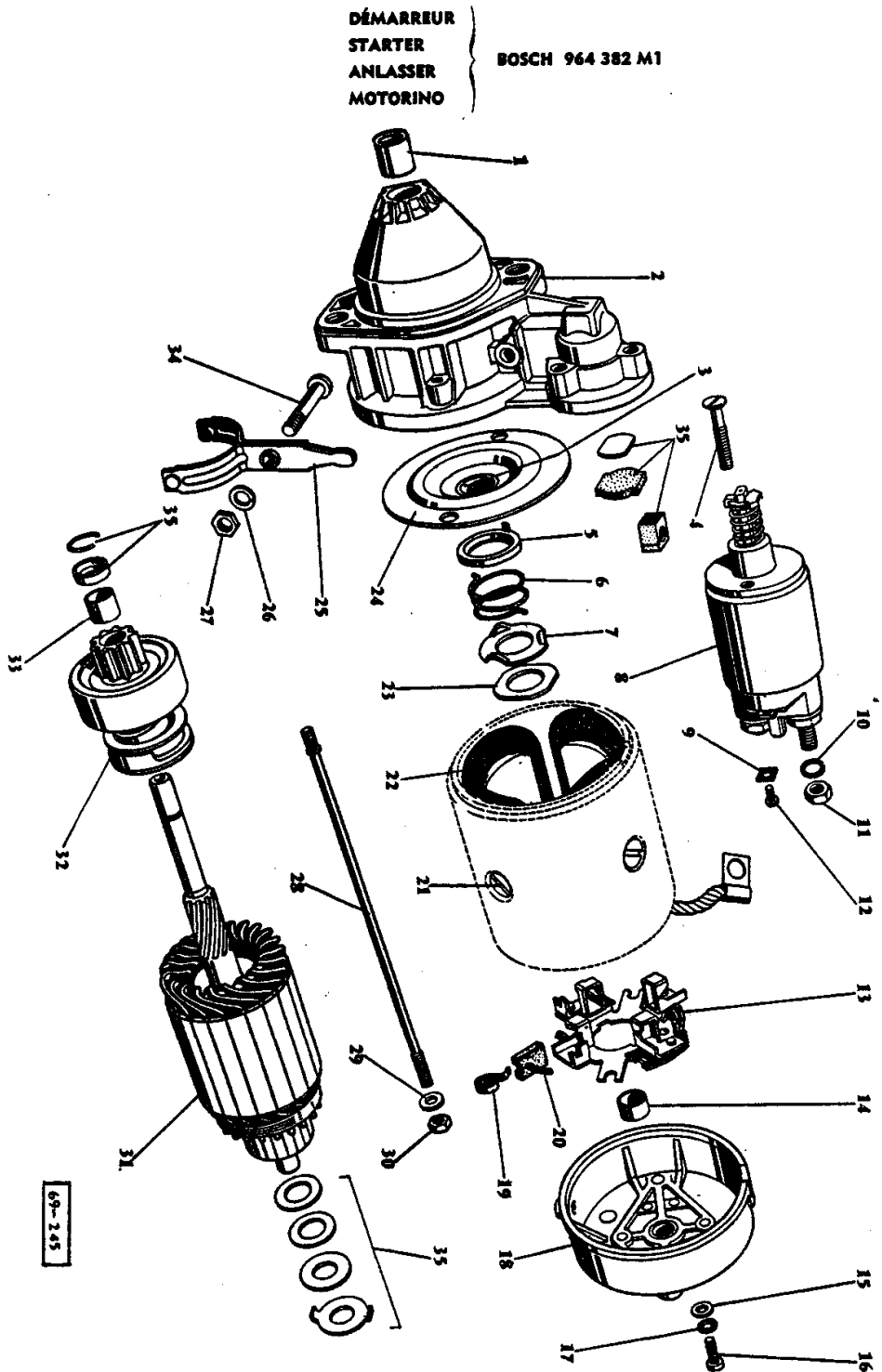
MOTEUR ET ACCESSOIRES  
ENGINE AND ACCESSORIES  
MOTOR UND ZUBEHOER  
MOTORE ED ACCESSORI



ENGINE AND ACCESSORIES

Item	Part Number	Qty	Description	Comments
1	964085M1	1	Engine	(A) 3152
	964088M1	1	Engine	(B) 3144
	964089M1	1	Engine	(M) 3144
	964089M1	1	Engine	(L) 3152
2	962180M1	1	Bearer	
3	353690X1	2	Screw Unc	
	353756X1	2	Washer	
	353434X1	2	Lock Washer	
4	963418M1	1	Bulb	
	969606M2	1	Bulb	(A)
5	353521X1	2	Bolt Unf	
	353916X1	2	Nut Unf	
	1650484M1	2	Washer	
	353522X1	2	Bolt Unf	(R)
	353755X1	3	Washer	(R)
6	963929M1	1	Blade Fan	(K)
	963930M1	1	Blade Fan	
7	897057M1	2	Washer	(K)
8	361444X1	4	Screw	(K)
9	825181M91	1	Fan	(J)
10	731006M1	2	Washer	
11	361444X1	4	Screw	
12	962184M1	1	Belt	
13		1	Stud	(F)
		1	Washer	(F)
		1	Nut	(F)
	353522X1	1	Bolt Unf	(R)
	353755X1	5	Washer	(R-U)
	353680X1	1	Screw Unc	(G-H-U)
	355565X1	1	Nut Unc	(G-H-U)
	353755X1	2	Washer	(G-H-U)
14	353521X1	1	Bolt Unf	
	353916X1	1	Nut Unf	
	1650484M1	1	Washer	
	353755X1	1	Washer	
15	960028M1	1	Pulley	(G-H)
16	962181M1	1	Lever	
17	960961M1	1	Dynamo	(C-D-I)
	960022M1	1	Dynamo	(C-E-I)
	897104M92	1	Dynamo	(G-H-I)
	964384M1	1	Dynamo	(R-T)
18	968856M1	1	Startermotor	(C-D-I)
	968296M1	1	Startermotor	(C-E)
	887057M1	1	Startermotor	(G-I)
	897336M1	1	Startermotor	(H-I)
	964382M1	1	Startermotor	(R-S)
19	892639M92	1	Protector	
20	354074X1	1	Pin	
21	362501X1	2	Screw	
	376721X1	2	Washer	
22	738471M91	1	Flywheel	INCL. REF. 24
23	358005X1	2	Screw	
24	731008X1	1	Starter Ring	
25	731192X1	3	Locknut	
26	375763X1	6	Screw	
27	828123M1	1	Bearing Assy	
28	353338X1	6	Bolt	
	1650486M1	6	Washer	
29	731344M1	2	Dowel	
30	739902M1	1	Plug	
31	361773X1	1	Screw	
	376721X1	1	Washer	
	363625X1	1	Nut	
32	969112M1	1	Cable	(G-H)
33	733633M1	1	Plate	
34	839501M1	1	Heater	

Item	Part Number	Qty	Description	Comments
				(A) TRACTOR 140 FRANCE, 135 EXPORT
				(B) TRACTOR 135 FRANCE
				(C) ALTERNATIVE. FOR DETAILS, SEE FOLLOWING PAGES
				(D) DUCELLIER
				(E) PARIS RHONE
				(F) SEE PARTS BOOK: ENGINE PERKINS
				(G) LUCAS
				(H) CAV - LUCAS
				(I) FOR DETAILS, SEE FOLLOWING PAGE
				(J) Up to Serial or Engine Number TRACTOR 135 - ENMY: 188070, SNMY: 181532 VNMY: 171799 - TRACTOR 140 - ENDMY: 291169, SNDMY: 262734, VNDMY: 142681, SNDFY: 277522, ENDFY: 296541, ENDMWY: 304532, SNDMWY: 299176, VNDMWY: 147544
				(K) From Serial or Engine Number TRACTOR 135 - ENMY: 188071, SNMY 181533, VNMY: 171800 - TRACTOR 140 - ENDMY: 291170 - SNDMY: 262735, VNDMY: 142682, SNDFY: 277523, ENDFY: 296542, ENDMWY: 304533, SNDMWY: 299177, VNDMWY: 147545
				(L) GERMANY
				(M) 133 TRACTOR
				(O)
				(R) BOSCH TYPE
				(S) FOR DETAILS, SEE PAGE 7
				(T) FOR DETAILS, SEE PAGE 12
				(U) SEE PROTECTION



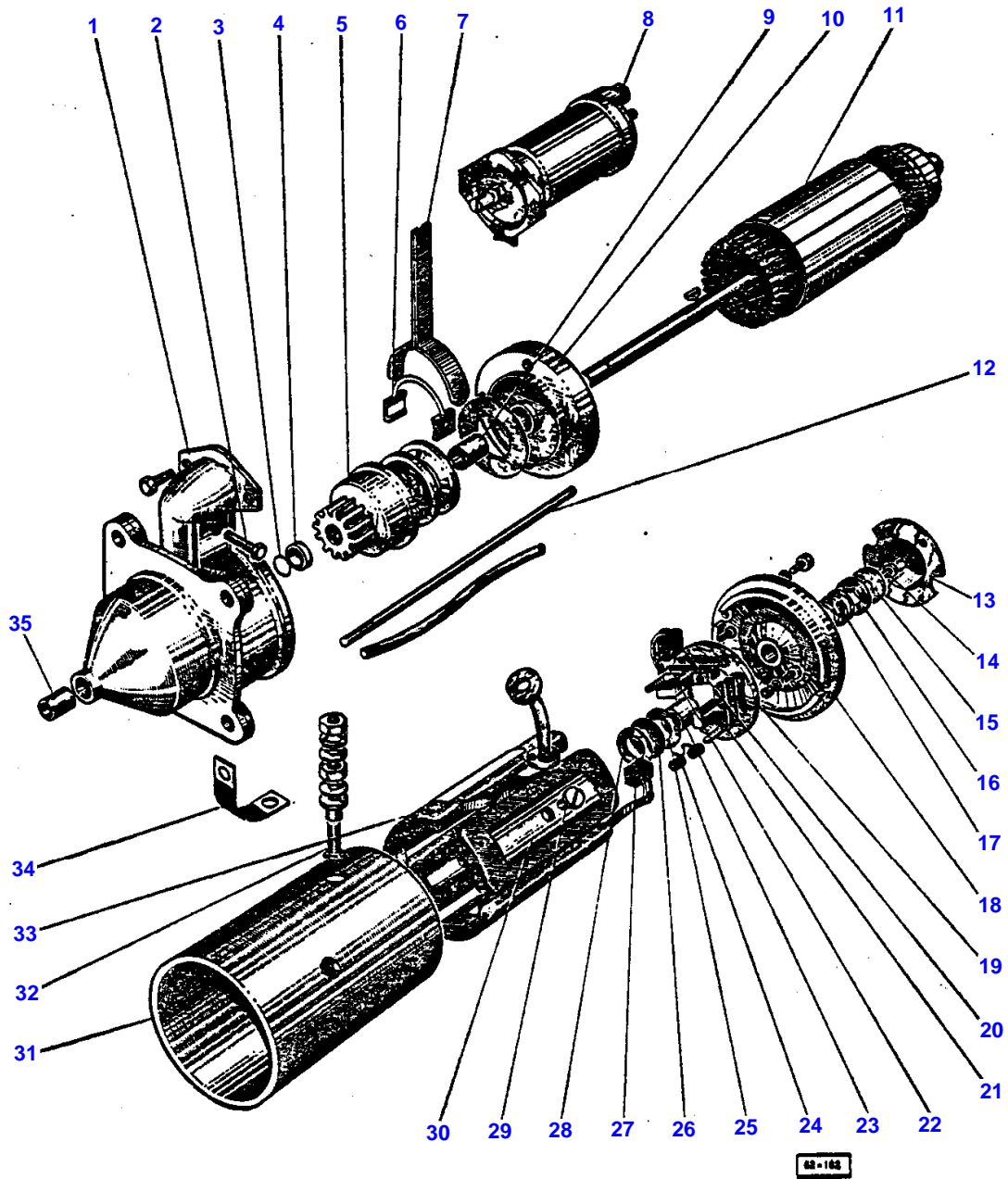
**MASSEY FERGUSON****MF 133/135/140 TRACTORS, -> | - 957190****957190****STARTER - BOSCH****7**

Item	Part Number	Qty	Description	Comments
				BOSCH 964382M1
1	1805674M1	1	Bush	
2	1805675M91	1	Bearing Carrier	
3	1805681M1	1	Bush	
4	1805697M1	3	Bolt	
5	1805686M1	1	Washer	
6	1805685M1	1	Spring	
7	1805684M1	1	Washer	
8	1805689M91	1	Relay	
9	1805672M1	1	Plate	
10	339376X1	2	Lock Washer	
11	1805465M1	1	Nut	
	1805699M1	1	Nut	
12	1805671M1	1	Screw	
13	1805695M1	1	Brush	
14	1805674M1	1	Bush	
15	390469X1	2	Washer Metric	
16	1805696M1	2	Screw	
17	339381X1	2	Lock Washer	
18	1805692M91	1	Bearing Carrier	
19	1805694M1	4	Spring	
20	1805693M1	1	Brush	
21	1805431M1	4	Screw	
22	1805673M1	1	Coil	
23	1805683M1	1	Washer	
24	1805680M91	1	Bearing Carrier	
25	1805676M1	1	Fork	
26	339374X1	1	Lock Washer	
27	1805437M1	1	Nut	
28	1805677M1	2	Bolt	
29	1805678M1	2	Washer	
30	1805679M1	2	Nut	
31	1805682M1	1	Field Coil Assy.	
32	1805690M91	1	Pinion	
33	1805691M1	2	Bush	
34	1805435M1	1	Bolt	
35	1805698M1	1	Parts Pack	

8

DÉMARREUR  
 STARTER  
 ANLASSER  
 MOTORINO

PARIS-RHONE 968 296 M1



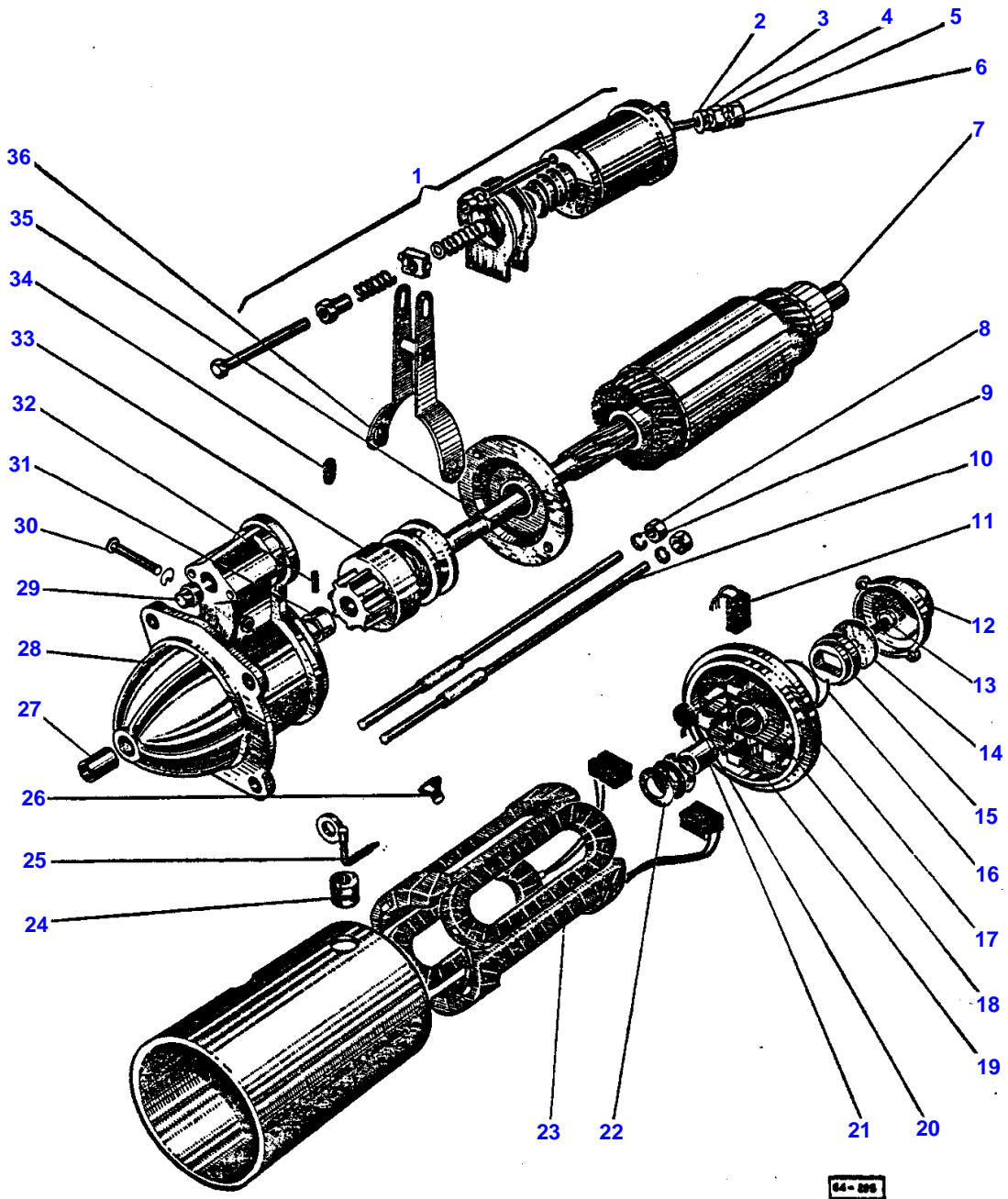


**MASSEY FERGUSON****MF 133/135/140 TRACTORS, -> | - 957190****957190****STARTER - PARIS-RHONE 968296M1****8**

Item	Part Number	Qty	Description	Comments
				PARIS-RHONE 968296M1
1	1802488M91	1	Bracket	
2	1601873M1	1	Pin	
3	1601870M1	1	Ring	
4	1601869M1	1	Washer	
5	1802487M1	1	Pinion	
6	1600467M1	1	Skid	
7	1601859M91	1	Fork	
8	1801878M91	1	Solenoid	
	1801879M1	1	Coil	
	1801880M1	1	Bonnet	
9	1802146M91	1	Bush	
10	1802146M91	1	Bearing Carrier	
11	1802144M1	1	Armature	
12	1802145M1	2	Bolt	
13	1601872M1	1	Bonnet	
14	1601868M1	1	Screw	
15	1601867M1	1	Washer	
16	1601866M1	1	Washer	
17	1601865M1	1	Spring	
18	1802134M91	1	Bearing Carrier	INCL. REF. 19, 23, 24
19	1802135M91	1	Washer	INCL. REF. 21, 22, 24
20	1802143M1	2	Brush	
21		2	Brush	
22		2	Brush	
23	1601044M1	1	Bush	
24	1601566M1	4	Spring	
25	1802139M1	1	Washer	
26	1601863M1	1	Washer	
27	1801439M1	2	Brush	
28	1601862M1	1	Washer	
29	1601329M1	4	Bolt	
30	1802137M1	4	Core	
31	1802492M1	1	Housing	
32	1802141M1	1	Terminal	
33	1802136M1	1	Inductor	
34	1802142M1	1	Union	
35	1601858M1	1	Bush	

DÉMARREUR  
STARTER  
ANLASSER  
MOTORINO

DUCELLIER 968 856 M1

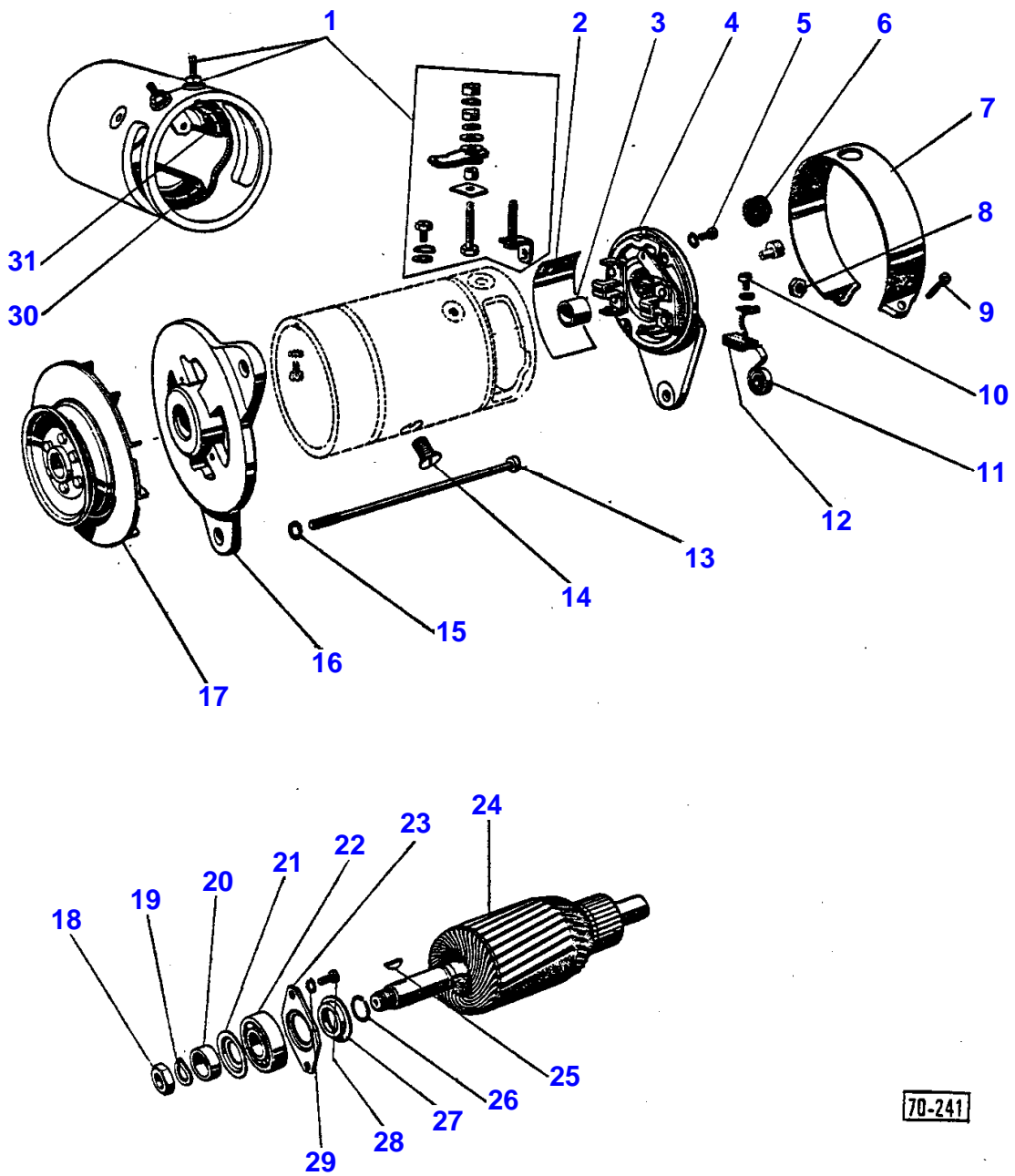


**MASSEY FERGUSON****MF 133/135/140 TRACTORS, -> | - 957190****957190****STARTER - DUCELLIER 968856M1****11**

Item	Part Number	Qty	Description	Comments
				DUCELLIER 968856M1
1	1802750M1	1	Solenoid	
2	1802809M1	1	Terminal	INCL. REF. 3 TO 6
3		1	Washer	
4		1	Nut	
5		1	Washer	
6		1	Nut	
7	1802745M1	1	Field Coil Assy.	
8		2	Washer	
9		2	Nut	
10	1802749M1	1	Bolt	INCL. REF. 8, 9
11	1802876M1	1	Brush	
12	1802762M1	1	Bonnet	
13		1	Bolt	
14	1802764M1	1	Disc	REF. 13
15	1802765M1	1	Pad	
16	1802800M1	1	Spring	
17	1802873M91	1	Bearing	REF. 18 TO 21
18	1802761M1	2	Holder	
19	1802760M1	2	Holder	
20	1801627M1	4	Spring	
21	1801627M1	1	Bush	
22	1802763M1	1	Washer	
23	1802746M1	1	Field Coil Assy.	
24	1802766M1	1	Grommet	
25	1802748M1	1	Connection	
26	1801422M1	1	Bolt	
27	1600173M1	1	Bush	
28	1802874M91	1	Bearing	REF. 27
29	1802874M91	1	Plug	
30	1802754M1	1	Pivot	
31	1801807M1	1	Thruster	
32	1801806M1	1	Dowel	
33	1802877M91	1	Pinion	
34	1801823M1	2	Pad	
35	1802758M1	1	Bearing Carrier	
36	1802755M91	1	Fork	

12

DYNAMO  
DYNAMO  
LICHTMASCHINE } BOSCH (964 384 M1)  
DINAMO



70-241

MASSEY FERGUSON

MF 133/135/140 TRACTORS, -> | - 957190

957190

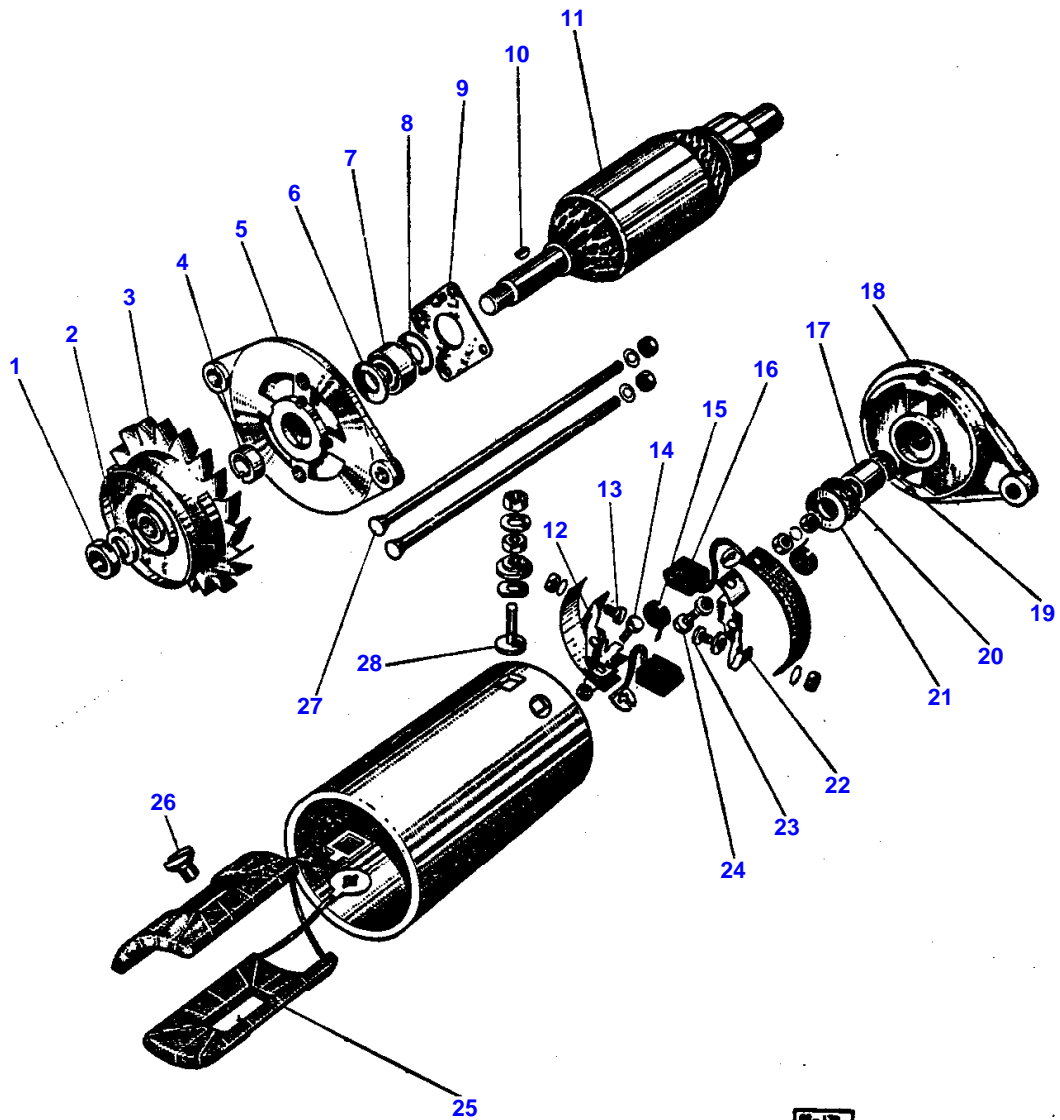
GENERATOR - BOSCH

12

Item	Part Number	Qty	Description	Comments
				BOSCH 964384M1
1	1805718M1	1	Kit, Terminal	
2	1805702M1	1	Insulation	
3	1805708M1	1	Bush	
4	1805704M91	1	Bearing Carrier	INCL. 3,5,6,10,11,12
5	1805707M1	1	Screw	
	1805463M1	1	Washer	
6	1805709M1	1	Grommet	
7	1805715M1	1	Band	
8	1805717M1	1	Nut	
9	1805716M1	1	Screw	
10	1805707M1	1	Screw	
	1805463M1	1	Washer	
11	1805706M1	1	Spring	
12	1805705M1	2	Brush	
13	1805710M1	2	Screw	
14	1805431M1	2	Screw	
15	1805441M1	2	Washer	
16	1805703M1	1	Bearing Carrier	
17	1805714M1	1	Pulley	
18		1	Nut	
19		1	Washer	
20		1	Bush	
21		1	Seal	
22	1805711M1	1	Bearing	
23	1805712M1	1	Seal	
24	1805713M91	1	Armature	REF. 18 TO 23, 26, TO 29
	1805719M1	1	Bag	INCL. REF. 18 TO 21, 28, 29
25	1804504M1	1	Key	
26		1	Clip	
27		1	Seal	
28		1	Screw	
29		1	Washer	
30	1805700M1		Spool	
31	1805701M1	1	Spool	

DYNAMO  
 DYNAMO  
 LICHTMASCHINE  
 DINAMO

(A) DUCELLIER 960 023 M1  
 (B-F) DUCELLIER 960 961 M1



95-170

**Buy Now**



Our support email:

[ebooklibonline@outlook.com](mailto:ebooklibonline@outlook.com)