

Wheeled Loading Shovel - 427, 437 and 457

[Section 1 - General Information](#)

[Section 2 - Care and Safety](#)

[Section 3A - Routine Maintenance](#)

[Section 3B - Routine Maintenance](#)

[Section A - Attachments](#)

[Section B - Body and Framework](#)

[Section C - Electrics](#)

[Section E - Hydraulics](#)

[Section F - Transmission](#)

[Section G - Brakes](#)

[Section H - Steering](#)

[Section K - Engine](#)



Publication No.
9813-1600-4



Copyright © 2004 JCB SERVICE. All rights reserved. No part of this publication may be reproduced, stored in a retrieval system, or transmitted in any form or by any other means, electronic, mechanical, photocopying or otherwise, without prior permission from JCB SERVICE.

Issued by JCB Technical Publications, JCB Service, World Parts Centre, Beamhurst, Uttoxeter, Staffordshire, ST14 5PA, England. Tel +44 1889 590312 Fax +44 1889 593377

World Class
Customer Support

General Information

[Section 1 - General Information](#)

[Section 2 - Care and Safety](#)

[Section 3A - Routine Maintenance](#)

[Section 3B - Routine Maintenance](#)

[Section A - Attachments](#)

[Section B - Body and Framework](#)

[Section C - Electrics](#)

[Section E - Hydraulics](#)

[Section F - Transmission](#)

[Section G - Brakes](#)

[Section H - Steering](#)

[Section K - Engine](#)



Publication No.
9813-1600-3



Copyright © 2004 JCB SERVICE. All rights reserved. No part of this publication may be reproduced, stored in a retrieval system, or transmitted in any form or by any other means, electronic, mechanical, photocopying or otherwise, without prior permission from JCB SERVICE.

Issued by JCB Technical Publications, JCB Service, World Parts Centre, Beamhurst, Uttoxeter, Staffordshire, ST14 5PA, England. Tel +44 1889 590312 Fax +44 1889 593377

World Class
Customer Support



Section 1 - General Information

Contents	Page No.
Introduction	
About this Manual	1 - 1
Identifying Your Machine	1 - 3
Standard Torque Settings	
Zinc Plated Fasteners and Dacromet Fasteners	1 - 5
Hydraulic Connections	1 - 9
Service Tools	
Numerical List	1 - 13
Tool Detail Reference Section	1 - 14
Service Aids	
Sealing and Retaining Compounds	1 - 27
Terms and Definitions	
Colour Coding	1 - 29
Basic Operation	
Transporting the Machine	1 - 31
Moving a Disabled Machine	1 - 34
Lifting the Machine	1 - 36
Storage of the Machine	1 - 37

Introduction

About this Manual

Machine Model and Serial Number

This manual provides information for the following model(s) in the JCB machine range:

- 427 T4i from 2063050
- 437 T4i from 2063202
- 457 T4i from 1907000.

Using the Service Manual

T11-004
This publication is designed for the benefit of JCB Distributor Service Engineers who are receiving, or have received, training by JCB Technical Training Department.

These personnel should have a sound knowledge of workshop practice, safety procedures, and general techniques associated with the maintenance and repair of hydraulic earthmoving equipment.

The illustrations in this publication are for guidance only. Where the machines differ, the text and/or the illustration will specify.

General warnings in Section 2 are repeated throughout the manual, as well as specific warnings. Read all safety statements regularly, so you do not forget them.

Renewal of oil seals, gaskets, etc., and any component showing obvious signs of wear or damage is expected as a matter of course. It is expected that components will be cleaned and lubricated where appropriate, and that any opened hose or pipe connections will be blanked to prevent excessive loss of hydraulic fluid and ingress of dirt.

Where a torque setting is given as a single figure it may be varied by plus or minus 3%. Torque figures indicated are for dry threads, hence for lubricated threads may be reduced by one third.

The manufacturer's policy is one of continuous improvement. The right to change the specification of the machine without notice is reserved. No responsibility will be accepted for discrepancies which may occur between specifications of the machine and the descriptions contained in this publication.

Finally, please remember above all else safety must come first!

Section Numbering

T11-005
The manual is compiled in sections, the first three are numbered and contain information as follows:

- 1** General Information - includes torque settings and service tools.
- 2** Care and Safety - includes warnings and cautions pertinent to aspects of workshop procedures etc.
- 3** Maintenance - includes service schedules and recommended lubricants for all the machine.

The remaining sections are alphabetically coded and deal with Dismantling, Overhaul etc. of specific components, for example:

- A** Attachments
- B** Body and Framework, etc.

Section contents, technical data, circuit descriptions, operation descriptions etc. are inserted at the beginning of each alphabetically coded section.

Left Side, Right Side

In this manual, 'left' **A** and 'right' **B** mean your left and right when you are seated correctly in the machine.

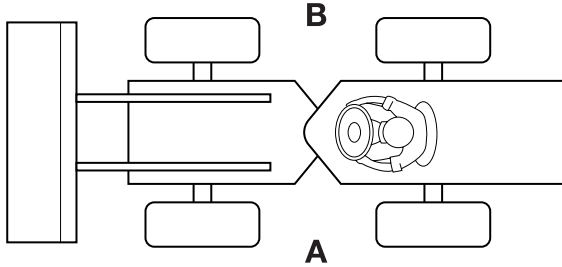


Fig 1.

T033800-1

Cross References

T1-004_2

In this publication, page cross references are made by presenting the subject title printed in bold, italic and underlined. It is preceded by the 'go to' symbol. The number of the page upon which the subject begins, is indicated within the brackets. For example: [⇒ ***Cross References*** \(***1-2*** \).](#)

Identifying Your Machine

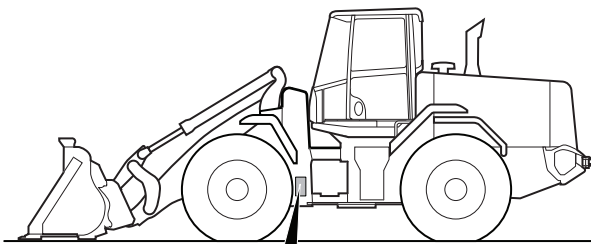
Machine Identification Plate

Your machine has an identification plate mounted as shown. The serial numbers of the machine and its major units are stamped on the plate.

Note: The machine model and build specification is indicated by the PIN. Refer to **Typical Product Identification Number (PIN)**.

The serial number of each major unit is also stamped on the unit itself. If a major unit is replaced by a new one, the serial number on the identification plate will be wrong. Either stamp the new number of the unit on the identification plate, or simply stamp out the old number. This will prevent the wrong unit number being quoted when replacement parts are ordered.

The machine and engine serial numbers can help identify exactly the type of equipment you have.



J.C.B. EARTHMOVERS LIMITED LAKESIDE WORKS, ROCESTER UTTOXETER, UNITED KINGDOM ST14 5JP	
VIN Vehicle Identification Number	PIN Product Identification Number
ENGINE SERIAL NUMBER	FRONT AXLE SERIAL NUMBER
TRANSMISSION SERIAL NUMBER	REAR AXLE SERIAL NUMBER
WEIGHT kg	YEAR OF CONST.
	ENGINE POWER kW @ RPM
MACHINE TYPE	HOMOLOGATION No.

Fig 2.

T033550-2

Typical Product Identification Number

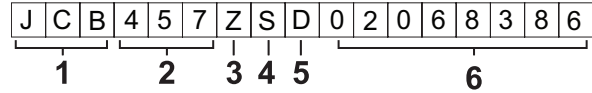


Fig 3.

T033160-9

- 1 World Manufacturer Identification (3 Digits)
- 2 Model Number (3 Digits)
- 3 Loader End Type (1 Digit)
 - O = HT Loader End
 - Z = ZX Loader End
- 4 Designation (1 Digit)
 - S = Farmmaster
 - O = Non Farmmaster
 - I = India
- 5 Year of Manufacture (1 Digit)

7 = 2007	A = 2010
8 = 2008	B = 2011
9 = 2009	C = 2012
- 6 Machine Serial Number (8 Digits)

Each machine has a unique serial number.

Component Identification Plates

Engine

The engine data plate **A** is on top of the crankcase.

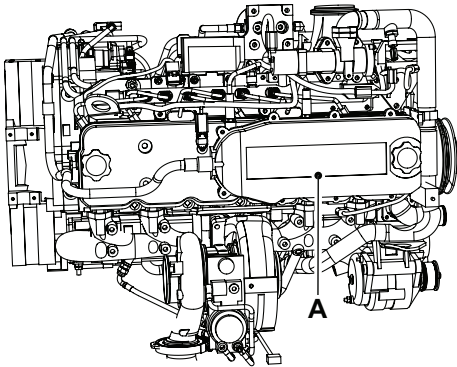


Fig 4.

333-R1376-3

Transmission

The transmission data plate **A** is on the front face.

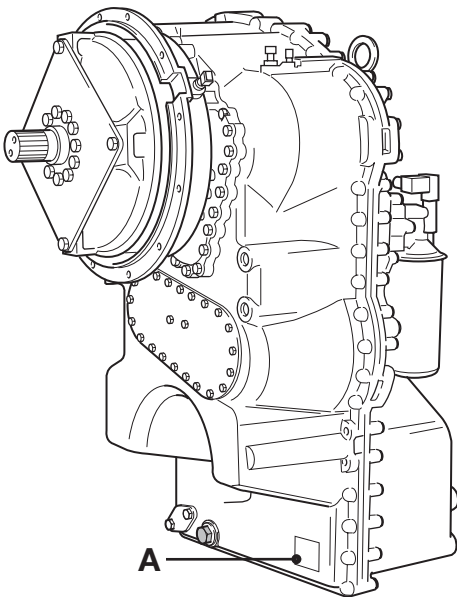


Fig 5.

795550-2

FOPS Data Plate

WARNING

Do not use the machine if the falling objects protection level provided by the structure is not sufficient for the application. Falling objects can cause serious injury.

8-2-8-17

If the machine is used in any application where there is a risk of falling objects then a falling-objects protective structure (FOPS) must be installed. For further information contact your JCB Dealer

The falling objects protection structure (FOPS) is fitted with a dataplate. The dataplate indicates what level protection the structure provides.

There are two levels of FOPS:

- **Level I Impact Protection** - impact strength for protection from small falling objects (e.g. bricks, small concrete blocks, hand tools) encountered in operations such as highway maintenance, landscaping and other construction site services.
- **Level II Impact Protection** - impact strength for protection from heavy falling objects (e.g. trees, rocks) for machines involved in site clearing, overhead demolition or forestry.

ROPS Data Plate

WARNING

Seat Belts

The ROPS/FOPS is designed to give you protection in an accident. If you do not wear your seat belt, you could be thrown out of the machine and crushed. You must wear a seat belt when using the machine. Fasten the seat belt before starting the engine.

0153

Machines built to the ROPS/FOPS standard have a data plate attached to the inside of the cab.

J.C.B. CAB SYSTEMS LAKESIDE WORKS ROCESTER UTTOXETER, STAFFS ST14 5JP ENGLAND	JCB WHEELED LOADER MAXIMUM UNLADEN MASS 26000kg YEAR: <input type="text"/>	427 437 457	ROPS: COMPLIES TO EN 13510:2000 ISO 3471:1994	FOPS: COMPLIES TO EN 13627:2000 LEVEL 2
332/A5586	SERIAL No: <input type="text"/>		CAB PART No: 335/06840, 335/09298	

Fig 6.

332-A5586

Standard Torque Settings

Zinc Plated Fasteners and Dacromet Fasteners

T11-002

Introduction

Some external fasteners on JCB machines are manufactured using an improved type of corrosion resistant finish. This type of finish is called Dacromet and replaces the original Zinc and Yellow Plating used on earlier machines.

The two types of fasteners can be readily identified by colour and part number suffix. → [Table 1. Fastener Types](#) (□ 1-5).

Table 1. Fastener Types

Fastener Type	Colour	Part No. Suffix
Zinc and Yellow	Golden finish	'Z' (e.g. 1315/3712Z)
Dacromet	Mottled silver finish	'D' (e.g. 1315/3712D)

Note: As the Dacromet fasteners have a lower torque setting than the Zinc and Yellow fasteners, the torque figures used must be relevant to the type of fastener.

Note: A Dacromet bolt should not be used in conjunction with a Zinc or Yellow plated nut, as this could change the torque characteristics of the torque setting further. For the same reason, a Dacromet nut should not be used with a Zinc or Yellow plated bolt.

Note: All bolts used on JCB machines are high tensile and must not be replaced by bolts of a lesser tensile specification.

Note: Dacromet bolts, due to their high corrosion resistance are used in areas where rust could occur. Dacromet bolts are only used for external applications. They are not used in applications such as gearbox or engine joint seams or internal applications.

Bolts and Screws

Use the following torque setting tables only where no torque setting is specified in the text.

Note: Dacromet fasteners are lubricated as part of the plating process, do not lubricate.

Torque settings are given for the following conditions:

Condition 1

- Un-lubricated fasteners
- Zinc fasteners
- Yellow plated fasteners

Condition 2

- Zinc flake (Dacromet) fasteners
- Lubricated zinc and yellow plated fasteners
- Where there is a natural lubrication. For example, cast iron components

Verbus Ripp Bolts

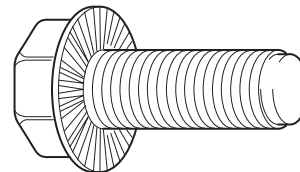


Fig 7.

Torque settings for these bolts are determined by the application. Refer to the relevant procedure for the required settings.



Section 1 - General Information Standard Torque Settings

Zinc Plated Fasteners and Dacromet Fasteners

Table 2. Torque Settings - UNF Grade 'S' Fasteners

Bolt Size		Hexagon (A/F)	Condition 1			Condition 2		
in.	mm	in.	Nm	kgf m	lbf ft	Nm	kgf m	lbf ft
1/4	6.3	7/16	11.2	1.1	8.3	10.0	1.0	7.4
5/16	7.9	1/2	22.3	2.3	16.4	20.0	2.0	14.7
3/8	9.5	9/16	40.0	4.1	29.5	36.0	3.7	26.5
7/16	11.1	5/8	64.0	6.5	47.2	57.0	5.8	42.0
1/2	12.7	3/4	98.0	10.0	72.3	88.0	9.0	64.9
9/16	14.3	13/16	140.0	14.3	103.2	126.0	12.8	92.9
5/8	15.9	15/16	196.0	20.0	144.6	177.0	18.0	130.5
3/4	19.0	1 1/8	343.0	35.0	253.0	309.0	31.5	227.9
7/8	22.2	1 15/16	547.0	55.8	403.4	492.0	50.2	362.9
1	25.4	1 1/2	814.0	83.0	600.4	732.0	74.6	539.9
1 1/8	31.7	1 7/8	1181.0	120.4	871.1	1063.0	108.4	784.0
1 1/4	38.1	2 1/4	1646.0	167.8	1214.0	1481.0	151.0	1092.3

Table 3. Torque Settings - Metric Grade 8.8 Fasteners

Bolt Size		Hexagon (A/F)	Condition 1			Condition 2		
ISO Metric Thread	mm	mm	Nm	kgf m	lbf ft	Nm	kgf m	lbf ft
M5	5	8	5.8	0.6	4.3	5.2	0.5	3.8
M6	6	10	9.9	1.0	7.3	9.0	0.9	6.6
M8	8	13	24.0	2.4	17.7	22.0	2.2	16.2
M10	10	17	47.0	4.8	34.7	43.0	4.4	31.7
M12	12	19	83.0	8.5	61.2	74.0	7.5	54.6
M16	16	24	205.0	20.9	151.2	184.0	18.8	135.7
M20	20	30	400.0	40.8	295.0	360.0	36.7	265.5
M24	24	36	690.0	70.4	508.9	621.0	63.3	458.0
M30	30	46	1372.0	139.9	1011.9	1235.0	125.9	910.9
M36	36	55	2399.0	244.6	1769.4	2159.0	220.0	1592.4



Section 1 - General Information Standard Torque Settings

Zinc Plated Fasteners and Dacromet Fasteners

Table 4. Metric Grade 10.9 Fasteners

Bolt Size		Hexagon (A/F)	Condition 1			Condition 2		
ISO Metric Thread	mm	mm	Nm	kgf m	lbf ft	Nm	kgf m	lbf ft
M5	5	8	8.1	0.8	6.0	7.3	0.7	5.4
M6	6	10	13.9	1.4	10.2	12.5	1.3	9.2
M8	8	13	34.0	3.5	25.0	30.0	3.0	22.1
M10	10	17	67.0	6.8	49.4	60.0	6.1	44.2
M12	12	19	116.0	11.8	85.5	104.0	10.6	76.7
M16	16	24	288.0	29.4	212.4	259.0	26.4	191.0
M20	20	30	562.0	57.3	414.5	506.0	51.6	373.2
M24	24	36	971.0	99.0	716.9	874.0	89.1	644.6
M30	30	46	1930.0	196.8	1423.5	1737.0	177.1	1281.1
M36	36	55	3374.0	344.0	2488.5	3036.0	309.6	2239.2

Table 5. Metric Grade 12.9 Fasteners

Bolt Size		Hexagon (A/F)	Condition 1			Condition 2		
ISO Metric Thread	mm	mm	Nm	kgf m	lbf ft	Nm	kgf m	lbf ft
M5	5	8	9.8	1.0	7.2	8.8	0.9	6.5
M6	6	10	16.6	1.7	12.2	15.0	1.5	11.1
M8	8	13	40.0	4.1	29.5	36.0	3.7	26.5
M10	10	17	80.0	8.1	59.0	72.0	7.3	53.1
M12	12	19	139.0	14.2	102.5	125.0	12.7	92.2
M16	16	24	345.0	35.2	254.4	311.0	31.7	229.4
M20	20	30	674.0	68.7	497.1	607.0	61.9	447.7
M24	24	36	1165.0	118.8	859.2	1048.0	106.9	773.0
M30	30	46	2316.0	236.2	1708.2	2084.0	212.5	1537.1
M36	36	55	4049.0	412.9	2986.4	3644.0	371.6	2687.7



Section 1 - General Information Standard Torque Settings

Zinc Plated Fasteners and Dacromet Fasteners

Table 6. Torque Settings - Rivet Nut Bolts/Screws

Bolt Size		Nm	kgf m	lbf ft
ISO Metric Thread	mm			
M3	3	1.2	0.1	0.9
M4	4	3.0	0.3	2.0
M5	5	6.0	0.6	4.5
M6	6	10.0	1.0	7.5
M8	8	24.0	2.5	18.0
M10	10	48.0	4.9	35.5
M12	12	82.0	8.4	60.5

Table 7. Torque Settings - Internal Hexagon Headed Cap Screws (Zinc)

Bolt Size		Nm	kgf m	lbf ft
ISO Metric Thread				
M3		2.0	0.2	1.5
M4		6.0	0.6	4.5
M5		11.0	1.1	8.0
M6		19.0	1.9	14.0
M8		46.0	4.7	34.0
M10		91.0	9.3	67.0
M12		159.0	16.2	117.0
M16		395.0	40.0	292.0
M18		550.0	56.0	406.0
M20		770.0	79.0	568.0
M24		1332.0	136.0	983.0

Hydraulic Connections

T11-003

'O' Ring Face Seal System

Adaptors Screwed into Valve Blocks

Adaptor screwed into valve blocks, seal onto an 'O' ring which is compressed into a 45° seat machined into the face of the tapped port.

Table 8. Torque Settings - BSP Adaptors

BSP Adaptor Size	Hexagon (A/F)	Nm	kgf m	lbf ft
	mm			
1/4	19.0	18.0	1.8	13.0
3/8	22.0	31.0	3.2	23.0
1/2	27.0	49.0	5.0	36.0
5/8	30.0	60.0	6.1	44.0
3/4	32.0	81.0	8.2	60.0
1	38.0	129.0	13.1	95.0
1 1/4	50.0	206.0	21.0	152.0

Table 9. Torque Settings - SAE Connections

SAE Tube Size	SAE Port Thread Size	Hexagon (A/F)	Nm	kgf m	lbf ft
		mm			
4	7/16 - 20	15.9	20.0 - 28.0	2.0 - 2.8	16.5 - 18.5
6	9/16 - 18	19.1	46.0 - 54.0	4.7 - 5.5	34.0 - 40.0
8	3/4 - 16	22.2	95.0 - 105.0	9.7 - 10.7	69.0 - 77.0
10	7/8 - 14	27.0	130.0 - 140.0	13.2 - 14.3	96.0 - 104.0
12	1 1/16 - 12	31.8	190.0 - 210.0	19.4 - 21.4	141.0 - 155.0
16	1 5/16 - 12	38.1	290.0 - 310.0	29.6 - 31.6	216.0 - 230.0
20	1 5/8	47.6	280.0 - 380.0	28.5 - 38.7	210.0 - 280.0

Hoses Screwed into Adaptors

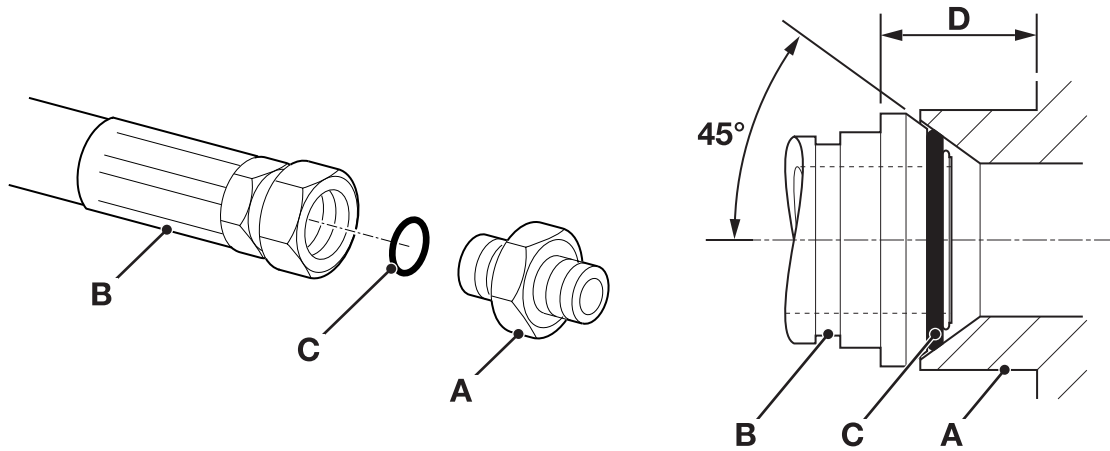


Fig 8.

Hoses **8-B** screwed into adaptors **8-A** seal onto an 'O' ring **8-C** which is compressed into a 45° seat machined into the face of the adaptor port.

Note: Dimension **8-D** will vary depending upon the torque applied.

Table 10. BSP Hose - Torque Settings

BSP Hose Size	Hexagon (A/F)	Nm	kgf m	lbf ft
	in.			
1/8	14.0	14.0 - 16.00	1.4 - 1.6	10.3 - 11.8
1/4	19.0	24.0 - 27.0	2.4 - 2.7	17.7 - 19.9
3/8	22.0	33.0 - 40.0	3.4 - 4.1	24.3 - 29.5
1/2	27.0	44.0 - 50.0	4.5 - 5.1	32.4 - 36.9
5/8	30.0	58.0 - 65.0	5.9 - 6.6	42.8 - 47.9
3/4	32.0	84.0 - 92.0	8.6 - 9.4	61.9 - 67.8
1	38.0	115.0 - 126.0	11.7 - 12.8	84.8 - 92.9
1 1/4	50.0	189.0 - 200.0	19.3 - 20.4	139.4 - 147.5
1 1/2	55.0	244.0 - 260.0	24.9 - 26.5	180.0 - 191.8



Section 1 - General Information Standard Torque Settings

Hydraulic Connections

Adaptors into Component Connections with Bonded Washers

Table 11. BSP Adaptors with Bonded Washers - Torque Settings

BSP Size			
in.	Nm	kgf m	lbf ft
1/8	20.0	2.1	15.0
1/4	34.0	3.4	25.0
3/8	75.0	7.6	55.0
1/2	102.0	10.3	75.0
5/8	122.0	12.4	90.0
3/4	183.0	18.7	135.0
1	203.0	20.7	150.0
1 1/4	305.0	31.0	225.0
1 1/2	305.0	31.0	225.0

Buy Now



Our support email:

ebooklibonline@outlook.com