

S175

S185

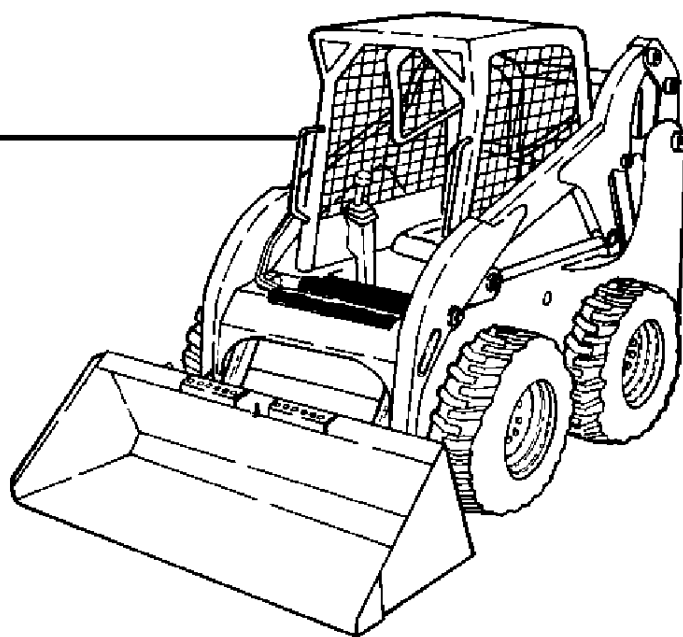
TURBO



Bobcat®

Parts Manual

S/N 5176 25001 & Above
S/N 5181 15001 & Above
S/N 5190 28001 & Above
S/N 5192 15001 & Above



EQUIPPED WITH
BOBCAT INTERLOCK
CONTROL SYSTEM (BICS™)



S175/S185 ALPHABETICAL INDEX

ADHESIVE	410	LATCH, REAR DOOR	26
AIR CLEANER	146, 148	LIFT ARM	773G, 28
ALTERNATOR	138	LIFT KITS	360, 362
ANTI-FREEZE	410	LIGHT KIT	364
BATTERY	126	LIGHTS, FLASHER	332
BELT, COOLING FAN	142	LOCK, REAR DOOR	382
BLACK GOLD	410	LUBRICANT	410
BLOCK HEATER	264	MANIFOLD	186, 230
BLOWER, WHEEL	142	MOUNT, ENGINE	154
BOB-TACH	30	MOUNT, HYDRO. PUMP	154
CAB DOOR	278	MUFFLER	146, 148
CAB	16, 18	OIL	410
CAMSHAFT	178, 180, 222, 224	PAINT	410
CAP, FUEL	32	PANEL, INSTRUMENT	122
CAP, HYD. OIL	96	PEDALS, CONTROL	62
CHAIN, DRIVE	36	PISTON	176, 220
CHAINCASE	36	POLISH	410
COOLING FAN DRIVE ASSY.	160	PUMP, FUEL	32, 194, 242
COUNTER WEIGHTS	292, 294	PUMP, OIL	166, 210
CRANKSHAFT	176, 220	PUMP, WATER	182, 226
CYLINDER BLOCK	166, 210	RADIATOR	142
CYLINDER HEAD	172, 216	RIM, WHEEL	408
CYLINDER, LIFT	46, 50	RING GEAR	150
CYLINDER, TILT	46, 50, 58	SEALANT	410
DOOR, REAR	26	SEAT BELT	388, 396
DRIVE MOUNT ASSY.	40	SENDER, ENG. TEMP.	124
ENGINE	146, 148, 150, 162, 202	SENSOR, RPM	124
EXTINGUISHER	328	SHOCK CONTROLS	104
FILTER, AIR	250	SOLENOID	124
FILTER, ENG. OIL	164, 204	SPROCKET, AXLE	36, 38
FILTER, FUEL	32	STARTER	124, 150
FIRE EXTINGUISHER	328	STOP, LIFT ARM	28
FLASHER LIGHTS	332	SWITCH, HYD. PRESS.	124
GAS SPRING	16, 272, 278	SWITCH, HYD. TEMP.	124
GASKET KIT, ENG.	162	SWITCH, IGNITION	122
GLOW PLUG	198, 246	TANK, COOLANT	142
GUAGE, ENG. TEMP.	122	TANK, FUEL	32
GUAGE, FUEL	122	THERMOSTAT	184, 228
HARNESS, CAB	122	TIRES	408
HARNESS, LIGHTS	364	VALVE COVER	168, 212
HEAD, CYLINDER	172, 216	VALVE, ENGINE	170, 214
HEATER	342	VALVE, HYD. CONTROL	80
HORN	358	WINDOW, REAR	288, 302
INJECTION NOZZLES	198, 200, 246, 248	WINDOW, SIDE	288
		WIPER, WINDSHIELD	276

S175/S185 CONTENTS

MAIN FRAME	13-34
MAIN FRAME	13-14
OPERATOR CAB	15-18
SEAT & SEAT BAR	19-20
SEAT	21-22
PANELS	23-24
REAR DOOR	25-26
LIFT ARMS & BOBTACH	27-28
BOB-TACH	29-30
FUEL SYSTEM	31-34
DRIVE TRAIN	35-44
DRIVE TRAIN	35-36
AXLE	37-38
MOTOR CARRIER	39-40
\$ MOTOR CARRIER	41-42
DISC BRAKE	43-44
HYDRAULIC SYSTEM	45-88
HYDRAULIC CIRCUITRY	45-52
MANUAL LIFT RELEASE SYSTEM	53-54
AUXILIARY HYDRAULICS	55-56
TILT CYLINDER	57-58
LIFT CYLINDER	59-60
CONTROL PEDALS	61-62
HYDRAULIC CONTROL VALVE (BICS COMBO VALVE)	63-66
\$ HYDRAULIC CONTROL VALVE (SERVICE VALVE) (BICS COMBO VALVE)	67-70
HYDRAULIC CONTROL VALVE (ADVANCED CONTROL SYSTEM) (W/BICS COMBO VALVE)	71-74
\$ HYDRAULIC CONTROL VALVE (ADVANCED CONTROL SYSTEM) (W/BICS COMBO VALVE)	75-78
\$ HYDRAULIC CONTROL VALVE (SERVICE VALVE) (ACS)	79-82
BICS CONTROL VALVE	83-84
MANUAL LIFT RELEASE VALVE	85-86
PRESSURE RELEASE VALVE	87-88
HIGH FLOW HYDRAULICS	89-94
HIGH FLOW HYDRAULICS	89-94
HYDROSTATIC SYSTEM	95-120
HYDROSTATIC CIRCUITRY	95-102
HAND CONTROLS	103-104
HYDROSTATIC MOTOR	105-106
HYDROSTATIC PUMP	107-114
GEAR PUMP	115-116
HYDROSTATIC OIL FILTER	117-120
ELECTRICAL SYSTEM	121-140
CAB ELECTRICAL CIRCUITRY	121-122
ENGINE ELECTRICAL CIRCUITRY	123-126
CONTROLS ELECTRICAL	127-136
ALTERNATOR	137-138
STARTER	139-140
POWER UNIT	141-250
COOLING SYSTEM	141-144
ENGINE & ATTACHING PARTS	145-156
THROTTLE	157-158
COOLING FAN DRIVE ASSY.	159-160
ENGINE & GASKET KITS (KUBOTA V2203)	161-162

S175/S185 CONTENTS (CONT'D)

POWER UNIT (Cont'd)	141-250
GEARCASE (KUBOTA V2203)	163-164
CRANKCASE (KUBOTA V2203)	165-166
ROCKER ARM COVER (KUBOTA V2203)	167-168
VALVE ROCKER ARM (KUBOTA V2203)	169-170
CYLINDER HEAD (KUBOTA V2203)	171-172
OIL PAN (KUBOTA V2203)	173-174
PISTON & CRANKSHAFT (KUBOTA V2203)	175-176
FUEL CAMSHAFT (KUBOTA V2203)	177-178
CAMSHAFT (KUBOTA V2203)	179-180
WATER PUMP (KUBOTA V2203)	181-182
WATER FLANGE & THERMOSTAT (KUBOTA V2203)	183-184
MANIFOLDS (KUBOTA V2203)	185-186
ENGINE STOP LEVER (KUBOTA V2203)	187-188
GIOVERNOR (KUBOTA V2203)	189-190
SPEED CONTROL PLATE (KUBOTA V2203)	191-192
INJECTION PUMP (KUBOTA V2203)	193-196
INJECTOR NOZZLES (KUBOTA V2203)	197-198
INJECTOR HOLDER (KUBOTA V2203)	199-200
ENGINE & GASKET KITS (KUBOTA V2003T)	201-202
GEARCASE (KUBOTA V2003T)	203-204
OIL COOLER (KUBOTA V2003T)	205-206
\$ OIL COOLER (KUBOTA V2003T)	207-208
CRANKCASE (KUBOTA V2003T)	209-210
ROCKER ARM COVER (KUBOTA V2003T)	211-212
VALVE ROCKER ARM (KUBOTA V2003T)	213-214
CYLINDER HEAD (KUBOTA V2003T)	215-216
OIL PAN (KUBOTA V2003T)	217-218
PISTON & CRANKSHAFT (KUBOTA V2003T)	219-220
FUEL CAMSHAFT (KUBOTA V2003T)	221-222
CAMSHAFT (KUBOTA V2003T)	223-224
WATER PUMP (KUBOTA V2003T)	225-226
WATER FLANGE & TEHRMOSTAT (KUBOTA V2003T)	227-228
MANIFOLDS (KUBOTA V2003T)	229-230
TURBO CHARGER (KUBOTA V2003T)	231-232
OIL PIPE (KUBOTA V2003T) (TURBO CHARGER)	233-234
ENGINE STOP LEVER (KUBOTA V2003T)	235-236
GOVERNOR (KUBOTA V2003T)	237-238
SPEED CONTROL PLATE (KUBOTA V2003T)	239-240
INJECTION PUMP (KUBOTA V2003T)	241-244
INJECTOR NOZZLES (KUBOTA V2003T)	245-246
INJECTOR HOLDER (KUBOTA V2003T)	247-248
AIR CLEANER	249-250
ACCESSORIES & OPTIONS	254-411
ACS CONVERSION KIT	254-255
ACCESS COVER	256-257
AXLE SEAL KIT	258-259
BACK-UP ALARM	260-261
BEACON	262-263
BLOCK HEATER	264-265
BOB-TACH LEVERS	266-267
BUCKET POSITIONING VALVE KIT	268-269
BUCKET POSITIONING VALVE	270-271
CAB DOOR	272-281
\$ CAB DOOR	282-283

S175/S185 CONTENTS (CONT'D)

ACCESSORIES & OPTIONS (Cont'd)	254-411
CAB ENCLOSURE	284-287
CAB WINDOWS	288-291
COUNTERWEIGHT KIT	292-295
DECALS	296-301
DELUXE CAB	302-303
\$ DUAL BATTERY KIT	304-305
ELECTRICAL CONNECTOR KIT	306-307
ELECTRICAL CONTROLS KIT (7 PIN ATTACHMENTS)	308-309
\$ ELECTRICAL CONTROLS KIT (14 PIN ATTACHMENTS)	310-311
ELECTRICAL CONTROLS KIT (TO RUN "G" SERIES ATTACHMENTS & OLD ATTACHMENTS) (W/O TOGGLE SWITCH)	312-313
ENGINE MOUNT KIT	314-315
EUROPEAN ACCESSORIES	316-327
FIRE EXTINGUISHER	328-329
F.O.P.S. KIT	330-331
FLASHER LIGHTS	332-333
FRONT AUXILIARY	334-335
\$ GAS SPRING KIT	336-337
HAND CONTROL KIT	338-341
HEATER & A/C	342-357
HORN KIT	358-359
LIFT LIT	360-363
LIGHT KIT	364-365
MUFFLER/PURIFIER KIT	366-367
POWER BOB-TACH KIT	368-369
POWER BOB-TACH	370-373
REAR AUXILIARY	374-379
REAR AUXILIARY VALVE	380-381
REAR DOOR LOCK	382-383
REAR WIPER	384-385
\$ SEAL ENCLOSURE KIT	386-387
SEAT	388-391
SEAT BELT	392-397
SOUND KIT	398-399
SOUND OPTION	400-401
SOUND REDUCTION HARDHAT	402-403
STROBE LIGHT	404-405
TIRES & RIMS	406-409
BULK ITEMS	410-411
NUMERICAL INDEX	412-460
NUMERICAL INDEX	412-460

S175/S185 CONTENTS

MAIN FRAME	13-34
MAIN FRAME	13-14
OPERATOR CAB	15-18
SEAT & SEAT BAR	19-20
SEAT	21-22
PANELS	23-24
REAR DOOR	25-26
LIFT ARMS & BOBTACH	27-28
BOB-TACH	29-30
FUEL SYSTEM	31-34
DRIVE TRAIN	35-44
DRIVE TRAIN	35-36
AXLE	37-38
MOTOR CARRIER	39-40
\$ MOTOR CARRIER	41-42
DISC BRAKE	43-44
HYDRAULIC SYSTEM	45-88
HYDRAULIC CIRCUITRY	45-52
MANUAL LIFT RELEASE SYSTEM	53-54
AUXILIARY HYDRAULICS	55-56
TILT CYLINDER	57-58
LIFT CYLINDER	59-60
CONTROL PEDALS	61-62
HYDRAULIC CONTROL VALVE (BICS COMBO VALVE)	63-66
\$ HYDRAULIC CONTROL VALVE (SERVICE VALVE) (BICS COMBO VALVE)	67-70
HYDRAULIC CONTROL VALVE (ADVANCED CONTROL SYSTEM) (W/BICS COMBO VALVE)	71-74
\$ HYDRAULIC CONTROL VALVE (ADVANCED CONTROL SYSTEM) (W/BICS COMBO VALVE)	75-78
\$ HYDRAULIC CONTROL VALVE (SERVICE VALVE) (ACS)	79-82
BICS CONTROL VALVE	83-84
MANUAL LIFT RELEASE VALVE	85-86
PRESSURE RELEASE VALVE	87-88
HIGH FLOW HYDRAULICS	89-94
HIGH FLOW HYDRAULICS	89-94
HYDROSTATIC SYSTEM	95-120
HYDROSTATIC CIRCUITRY	95-102
HAND CONTROLS	103-104
HYDROSTATIC MOTOR	105-106
HYDROSTATIC PUMP	107-114
GEAR PUMP	115-116
HYDROSTATIC OIL FILTER	117-120
ELECTRICAL SYSTEM	121-140
CAB ELECTRICAL CIRCUITRY	121-122
ENGINE ELECTRICAL CIRCUITRY	123-126
CONTROLS ELECTRICAL	127-136
ALTERNATOR	137-138
STARTER	139-140
POWER UNIT	141-250
COOLING SYSTEM	141-144
ENGINE & ATTACHING PARTS	145-156
THROTTLE	157-158
COOLING FAN DRIVE ASSY.	159-160
ENGINE & GASKET KITS (KUBOTA V2203)	161-162

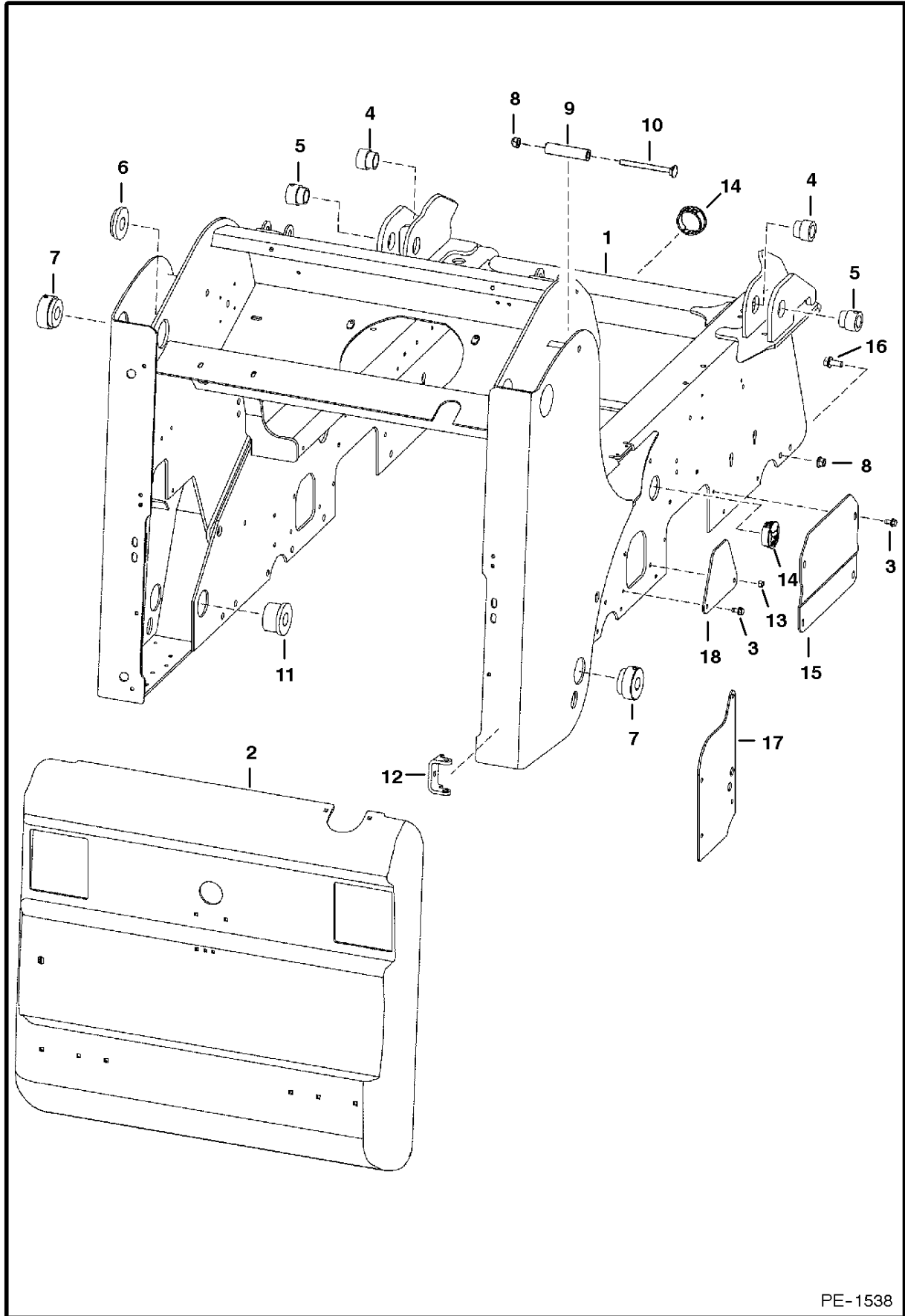
S175/S185 CONTENTS (CONT'D)

POWER UNIT (Cont'd)	141-250
GEARCASE (KUBOTA V2203)	163-164
CRANKCASE (KUBOTA V2203)	165-166
ROCKER ARM COVER (KUBOTA V2203)	167-168
VALVE ROCKER ARM (KUBOTA V2203)	169-170
CYLINDER HEAD (KUBOTA V2203)	171-172
OIL PAN (KUBOTA V2203)	173-174
PISTON & CRANKSHAFT (KUBOTA V2203)	175-176
FUEL CAMSHAFT (KUBOTA V2203)	177-178
CAMSHAFT (KUBOTA V2203)	179-180
WATER PUMP (KUBOTA V2203)	181-182
WATER FLANGE & THERMOSTAT (KUBOTA V2203)	183-184
MANIFOLDS (KUBOTA V2203)	185-186
ENGINE STOP LEVER (KUBOTA V2203)	187-188
GIOVERNOR (KUBOTA V2203)	189-190
SPEED CONTROL PLATE (KUBOTA V2203)	191-192
INJECTION PUMP (KUBOTA V2203)	193-196
INJECTOR NOZZLES (KUBOTA V2203)	197-198
INJECTOR HOLDER (KUBOTA V2203)	199-200
ENGINE & GASKET KITS (KUBOTA V2003T)	201-202
GEARCASE (KUBOTA V2003T)	203-204
OIL COOLER (KUBOTA V2003T)	205-206
\$ OIL COOLER (KUBOTA V2003T)	207-208
CRANKCASE (KUBOTA V2003T)	209-210
ROCKER ARM COVER (KUBOTA V2003T)	211-212
VALVE ROCKER ARM (KUBOTA V2003T)	213-214
CYLINDER HEAD (KUBOTA V2003T)	215-216
OIL PAN (KUBOTA V2003T)	217-218
PISTON & CRANKSHAFT (KUBOTA V2003T)	219-220
FUEL CAMSHAFT (KUBOTA V2003T)	221-222
CAMSHAFT (KUBOTA V2003T)	223-224
WATER PUMP (KUBOTA V2003T)	225-226
WATER FLANGE & TEHRMOSTAT (KUBOTA V2003T)	227-228
MANIFOLDS (KUBOTA V2003T)	229-230
TURBO CHARGER (KUBOTA V2003T)	231-232
OIL PIPE (KUBOTA V2003T) (TURBO CHARGER)	233-234
ENGINE STOP LEVER (KUBOTA V2003T)	235-236
GOVERNOR (KUBOTA V2003T)	237-238
SPEED CONTROL PLATE (KUBOTA V2003T)	239-240
INJECTION PUMP (KUBOTA V2003T)	241-244
INJECTOR NOZZLES (KUBOTA V2003T)	245-246
INJECTOR HOLDER (KUBOTA V2003T)	247-248
AIR CLEANER	249-250
ACCESSORIES & OPTIONS	254-411
ACS CONVERSION KIT	254-255
ACCESS COVER	256-257
AXLE SEAL KIT	258-259
BACK-UP ALARM	260-261
BEACON	262-263
BLOCK HEATER	264-265
BOB-TACH LEVERS	266-267
BUCKET POSITIONING VALVE KIT	268-269
BUCKET POSITIONING VALVE	270-271
CAB DOOR	272-281
\$ CAB DOOR	282-283

S175/S185 CONTENTS (CONT'D)

ACCESSORIES & OPTIONS (Cont'd)	254-411
CAB ENCLOSURE	284-287
CAB WINDOWS	288-291
COUNTERWEIGHT KIT	292-295
DECALS	296-301
DELUXE CAB	302-303
\$ DUAL BATTERY KIT	304-305
ELECTRICAL CONNECTOR KIT	306-307
ELECTRICAL CONTROLS KIT (7 PIN ATTACHMENTS)	308-309
\$ ELECTRICAL CONTROLS KIT (14 PIN ATTACHMENTS)	310-311
ELECTRICAL CONTROLS KIT (TO RUN "G" SERIES ATTACHMENTS & OLD ATTACHMENTS) (W/O TOGGLE SWITCH)	312-313
ENGINE MOUNT KIT	314-315
EUROPEAN ACCESSORIES	316-327
FIRE EXTINGUISHER	328-329
F.O.P.S. KIT	330-331
FLASHER LIGHTS	332-333
FRONT AUXILIARY	334-335
\$ GAS SPRING KIT	336-337
HAND CONTROL KIT	338-341
HEATER & A/C	342-357
HORN KIT	358-359
LIFT LIT	360-363
LIGHT KIT	364-365
MUFFLER/PURIFIER KIT	366-367
POWER BOB-TACH KIT	368-369
POWER BOB-TACH	370-373
REAR AUXILIARY	374-379
REAR AUXILIARY VALVE	380-381
REAR DOOR LOCK	382-383
REAR WIPER	384-385
\$ SEAL ENCLOSURE KIT	386-387
SEAT	388-391
SEAT BELT	392-397
SOUND KIT	398-399
SOUND OPTION	400-401
SOUND REDUCTION HARDHAT	402-403
STROBE LIGHT	404-405
TIRES & RIMS	406-409
BULK ITEMS	410-411
NUMERICAL INDEX	412-460
NUMERICAL INDEX	412-460

MAIN FRAME



PE-1538

Buy Now



Our support email:

ebooklibonline@outlook.com