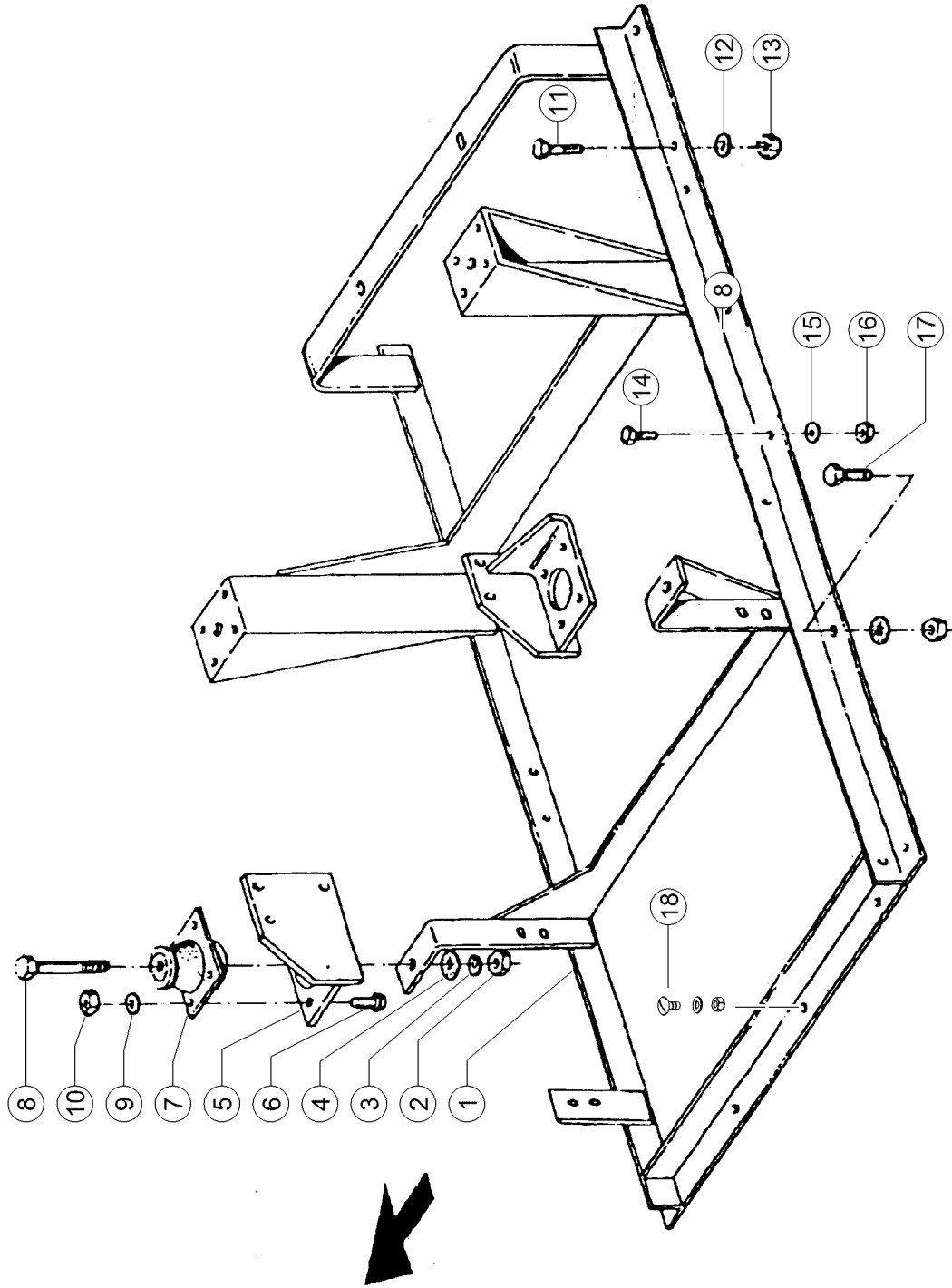


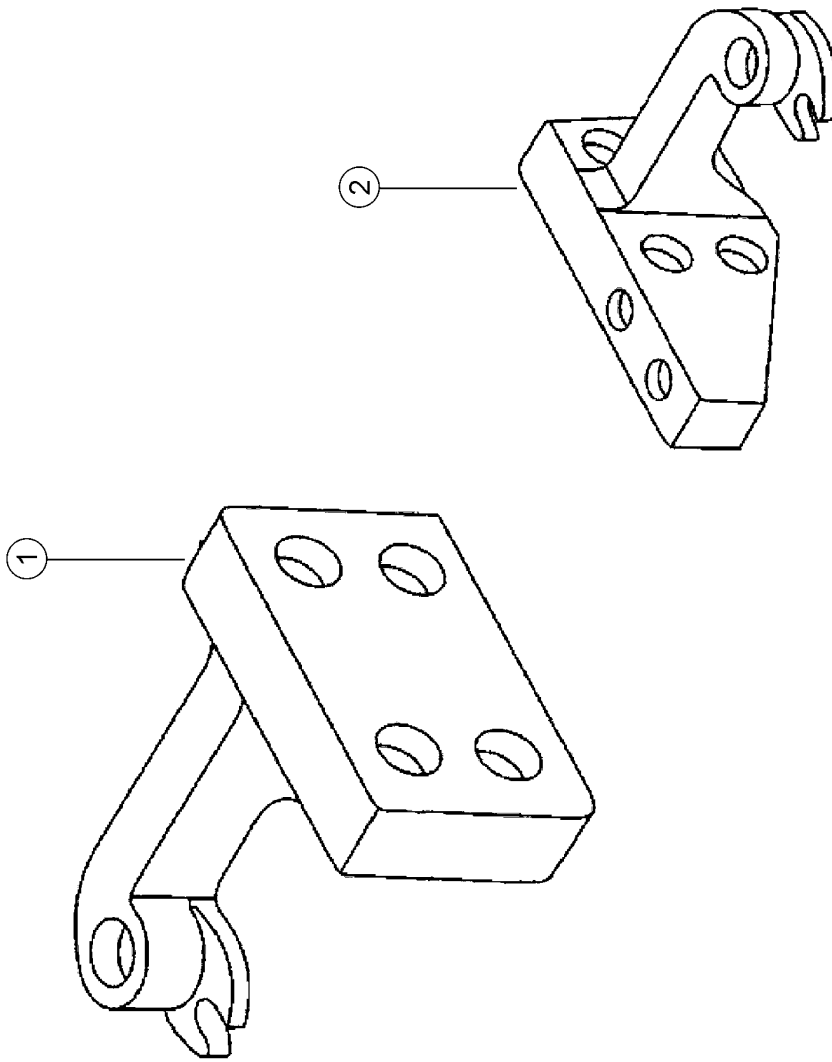
010 COMPLETE ENGINE

Pos.	Part No.	Description	Dimension	Quantity	Conditions
1	00 0025 205 0	ENGINE	TATA 4SPNA RTV (61HP)	1	
2	00 2210 905 0	GUARD CAP	D22,4-F	1	



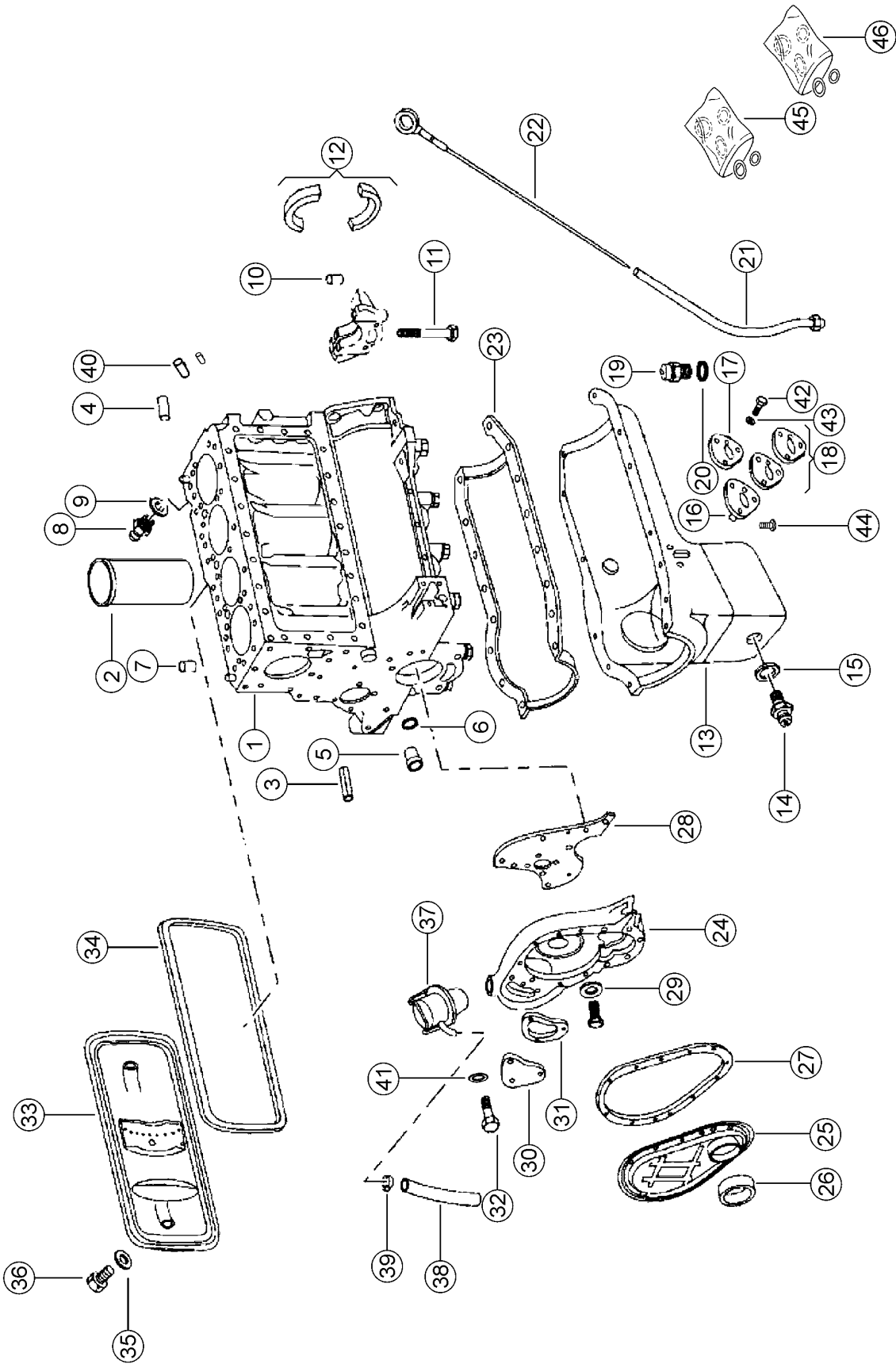
100 ENGINE SUSPENSION

Pos.	Part No.	Description	Dimension	Quantity	Conditions
1	00 0380 438 1	ENGINE MOUNTING		1	
2	00 0236 173 0	HEXAGONAL NUT	M16	4	
3	00 0235 135 1	SPRING WASHER	16- 16,2X27,4X2,8	4	
4	00 0235 127 2	WASHER	16 - 17X30X3	4	
5	00 0020 068 2	SUPPORT		1	1)
5	00 0020 067 2	SUPPORT		1	2)
6	00 0237 383 0	HEXAGON HEAD BOLT	M10X25	27	
7	00 0025 332 0	MEGU BUSHING		4	
8	00 0242 394 0	HEXAGON HEAD BOLT	M16X100	2	
9	00 0239 388 0	CONTACT WASHER	A10-10,2X22,25X1,6	29	
10	00 0236 171 0	HEXAGONAL NUT	M10	23	
11	00 0237 461 0	HEXAGON HEAD BOLT	M12X30	2	
11	00 0237 572 0	HEXAGON HEAD BOLT	M12X35	2	
12	00 0239 389 0	CONTACT WASHER	A12	2	
13	00 0236 172 0	HEXAGONAL NUT	M12	4	
17	00 0237 453 0	HEXAGON HEAD BOLT	M10X30	2	
18	00 0239 393 1	CONTACT WASHER	B 8 -8.2X22X1,9	7	
18	00 0239 387 0	CONTACT WASHER	A8-8,2X18X1,4	7	
1)	Remarks		right		
2)	Remarks		left		



100 ENGINE SUSPENSION

Pos.	Part No.	Description	Dimension	Quantity	Conditions
1	00 2213 623 0	BRACKET		1	
2	00 2213 624 0	BRACKET		1	

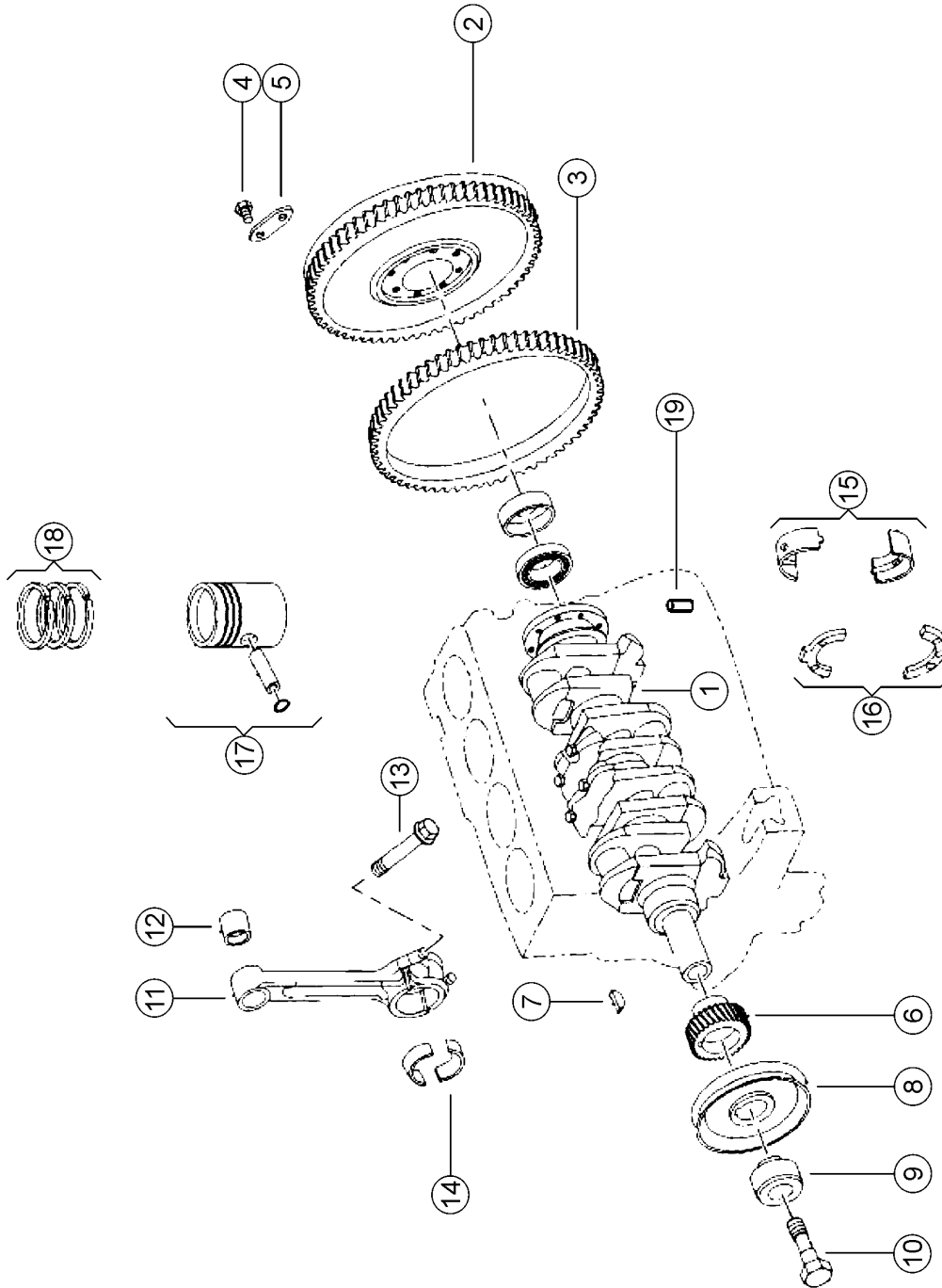


100 CRANKCASE

Pos.	Part No.	Description	Dimension	Quantity	Conditions
1	00 2213 367 0	CYL.-CRANKCASE		1	
2	00 2213 368 0	CYLINDER LINER		4	
2	00 2213 068 0	CENTERING PIN		2	
3	00 2213 061 0	TAPER LOCK SLEEVE		1	
3	00 2213 060 0	BUSHING		1	
4	00 2213 062 0	PIN		2	
5	00 2213 373 0	PLUG		2	
6	00 2213 374 0	SEALING WASHER		2	
6	00 2213 375 0	COVER		1	1)
7	00 2213 064 0	PIN		2	
8	00 2213 059 0	SEALING PLUG		1	
9	00 2213 086 0	WASHER		1	
10	00 2213 065 0	GRUB SCREW		10	
11	00 2213 380 0	SCREW		10	
12	00 2213 381 0	HALF BEARINGS		2	
13	00 2213 382 0	OIL SUMP		1	
14	00 2213 087 0	DRAIN SCREW		1	
15	00 2213 086 0	WASHER		1	
16	00 2213 092 0	FLANGE		1	
17	00 2213 088 0	FLANGE		1	
18	00 2213 386 0	GASKET		2	
18	00 2213 090 0	SCREW		1	
18	00 2213 089 0	DISC SPRING		1	
18	00 2213 197 0	SCREW		3	
19	00 2213 095 0	SOCKET		1	
20	00 2213 094 0	WASHER		1	
21	00 2213 388 0	TUBE		1	
22	00 2213 069 0	DIP STICK		1	
23	00 2213 053 0	GASKET	MATERIAL: GUMMI	1	
23	00 2213 096 0	SCREW		12	
23	00 2213 391 0	CLAMP		1	
24	00 2213 392 0	SEMI GEAR CASE		1	
24	00 2213 065 0	GRUB SCREW		2	
24	00 2213 394 0	CYLINDRICAL PIN		2	
25	00 2213 395 0	HOUSING COVER		1	
26	00 2213 079 0	GASKET		1	
27	00 2213 397 0	GASKET		1	
27	00 2213 398 0	SCREW		4	
27	00 2213 399 0	SCREW		9	
28	00 2213 400 0	GASKET		1	
29	00 2213 076 0	FUSE		3	
30	00 2213 402 0	COVER		1	
31	00 2213 403 0	GASKET		1	
32	00 2213 404 0	SCREW		3	
34	00 2213 406 0	GASKET		1	
34	00 2213 407 0	GASKET		1	
36	00 2213 121 0	SPACER		1	
37	00 2213 410 0	BREATHER		1	
38	00 2213 411 0	HOSE		1	
39	00 2213 412 0	HOSE CLIP		1	
39	00 2213 413 0	CLAMP		1	
40	00 2213 060 0	BUSHING		1	
41	00 2213 089 0	DISC SPRING		2	
42	00 2213 090 0	SCREW		2	

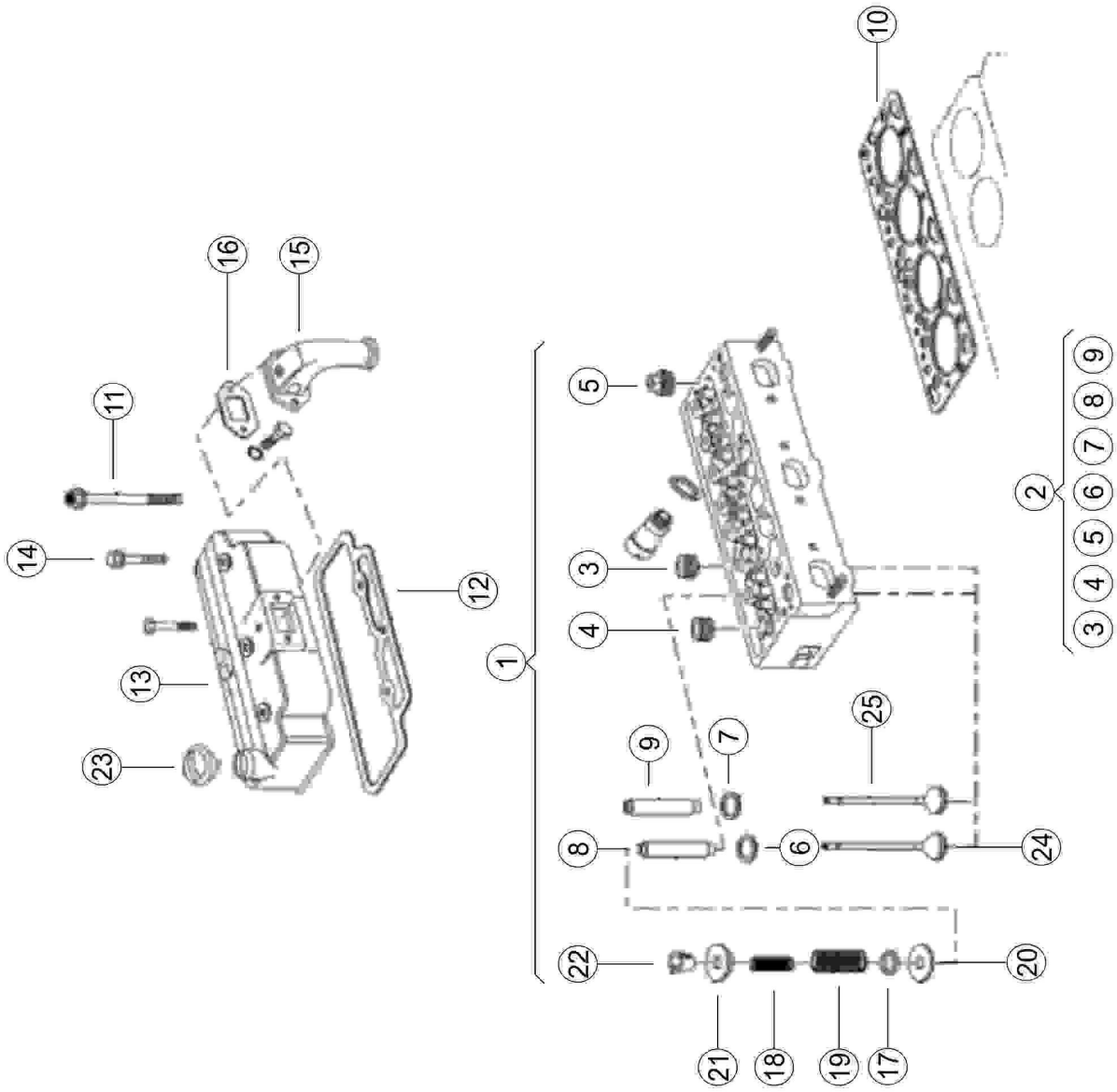
100 CRANKCASE

Pos.	Part No.	Description	Dimension	Quantity	Conditions
43	00 2213 058 0	WASHER		1	
44	00 2213 096 0	SCREW		12	
45	00 2213 365 0	SEAL KIT		1	
46	00 2213 366 0	SEAL KIT		1	
1)	Remarks				lockable



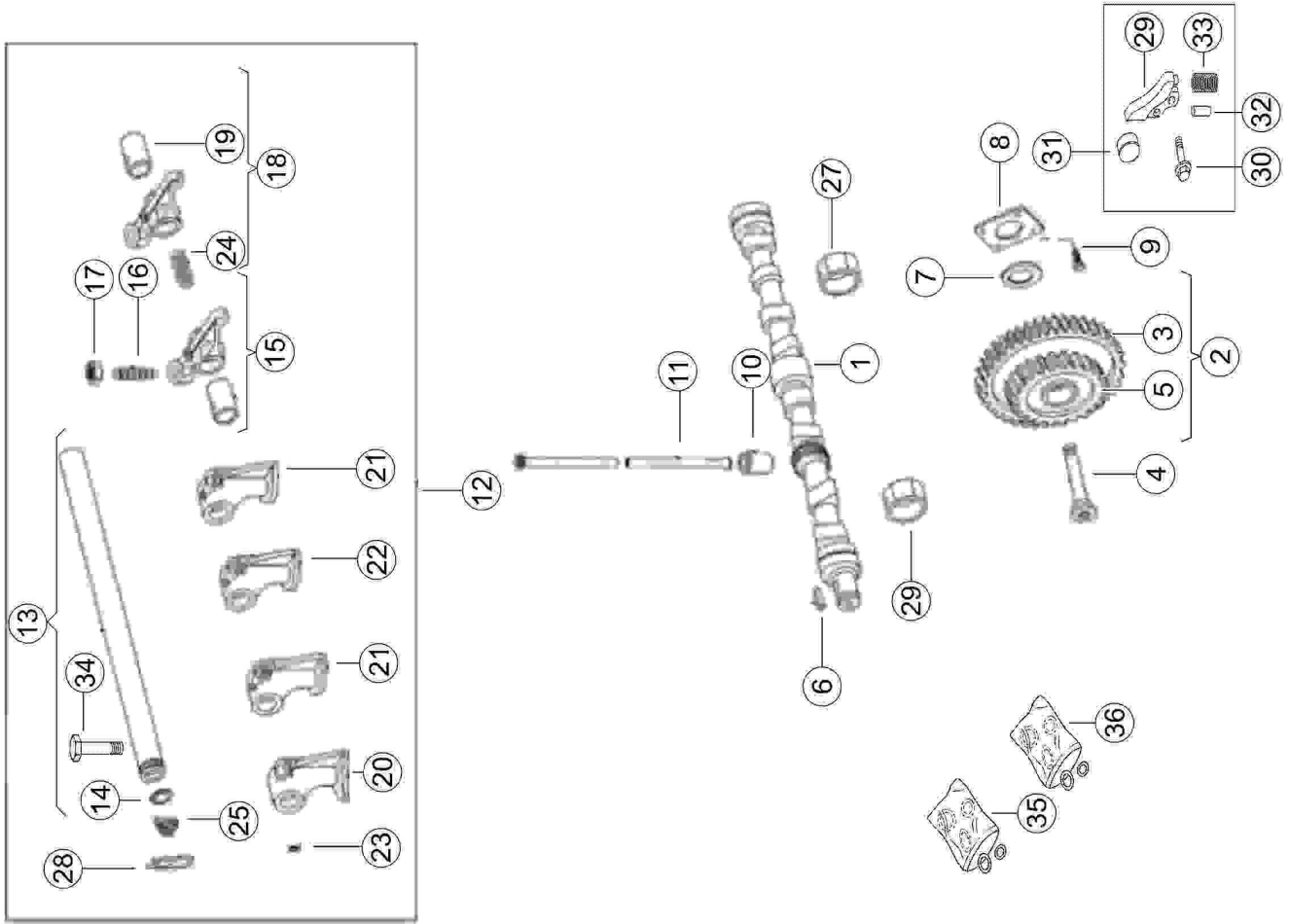
140 CRANKSHAFT

Pos.	Part No.	Description	Dimension	Quantity	Conditions
1	00 2213 442 0	CRANKSHAFT		1	
2	00 2213 443 0	FLYWHEEL		1	
3	00 2213 444 0	RING GEAR		1	
4	00 2213 445 0	SCREW		8	
5	00 2213 446 0	LOCKING PLATE		4	
6	00 2213 117 0	CRANKSHAFT GEAR		1	
7	00 2213 118 0	PARALLEL KEY		1	
8	00 2213 449 0	V-BELT PULLEY		1	
9	00 2213 122 0	SPACER BUSH		1	
10	00 2213 123 0	DAMPER		1	
11	00 2213 452 0	CONNECTING ROD		4	
12	00 2213 453 0	BUSHING		1	
12	00 2213 454 0	BUSHING		1	
13	00 2213 129 0	SCREW		8	
14	00 2213 456 0	BEARING BOX	PLEULLAGER SET STANDARD	1	
14	00 2213 457 0	BEARING BOX	PLEULLAGER SET R/S I	1	
14	00 2213 458 0	BEARING BOX	PLEULLAGER SET R/S II	1	
14	00 2213 459 0	BEARING BOX	PLEULLAGER SET R/S III	1	
14	00 2213 460 0	BEARING BOX	PLEULLAGER SET R/S IV	1	
15	00 2213 461 0	MAIN BEARING		1	
15	00 2213 462 0	MAIN BEARING		1	
15	00 2213 463 0	MAIN BEARING		1	
15	00 2213 464 0	MAIN BEARING		1	
15	00 2213 465 0	MAIN BEARING		1	
16	00 2213 466 0	WASHER SET		1	
16	00 2213 467 0	WASHER SET		1	
16	00 2213 468 0	WASHER SET		1	
17	00 2213 469 0	PLUNGER		1	
18	00 2213 470 0	PISTON RING SET		1	
19	00 2213 068 0	CENTERING PIN		1	



100 CYLINDER HEAD

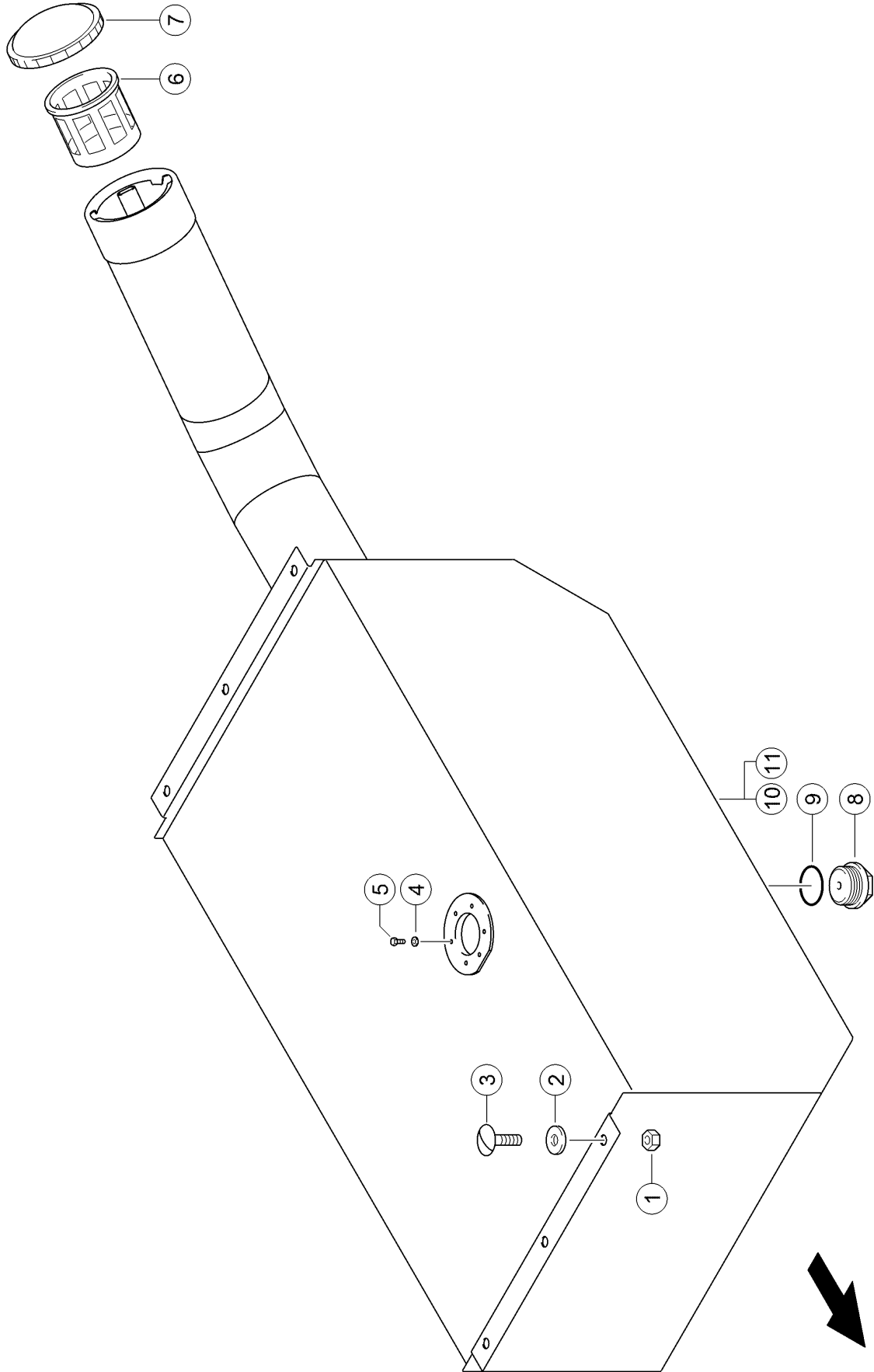
Pos.	Part No.	Description	Dimension	Quantity	Conditions
1	00 2213 414 0	CYLINDER HEAD		1	
2	00 2213 415 0	CYLINDER HEAD		1	
3	00 2213 098 0	FUSE		3	
4	00 2213 101 0	FUSE		2	
5	00 2213 418 0	PLUG		1	
6	00 2213 106 0	VALVE SEAT RING		4	
7	00 2213 107 0	VALVE SEAT RING		4	
8	00 2213 102 0	VALVE GUIDE		4	
9	00 2213 104 0	VALVE GUIDE		4	
9	00 2213 423 0	LOCK		4	
10	00 2213 424 0	CYLINDER HEAD GASKET		1	
11	00 2213 425 0	BOLT		17	
12	00 2213 045 0	GASKET		1	
13	00 2213 427 0	CYLINDER HEAD COVER		1	
14	00 2213 428 0	PIN		3	
15	00 2213 429 0	TUBE ELBOW		1	
16	00 2213 050 0	GASKET	MATERIAL: NON ASBESTOS	1	
17	00 2213 103 0	VALVE GUIDE		4	
17	00 2213 105 0	VALVE GUIDE		4	
18	00 2213 432 0	VALVE SPRING		8	
19	00 2213 433 0	VALVE SPRING		8	
20	00 2213 166 0	VALVE SPRING		8	
21	00 2213 435 0	SPRING GUIDE		8	
22	00 2213 617 0	GASKET		16	
23	00 2213 437 0	LOCKING COVER		1	
23	00 2213 438 0	GASKET		1	
24	00 2213 440 0	INLET VALVE		4	
25	00 2213 441 0	OUTLET VALVE		4	



180 CAMSHAFT, CAMSHAFT BEARING BUSHES

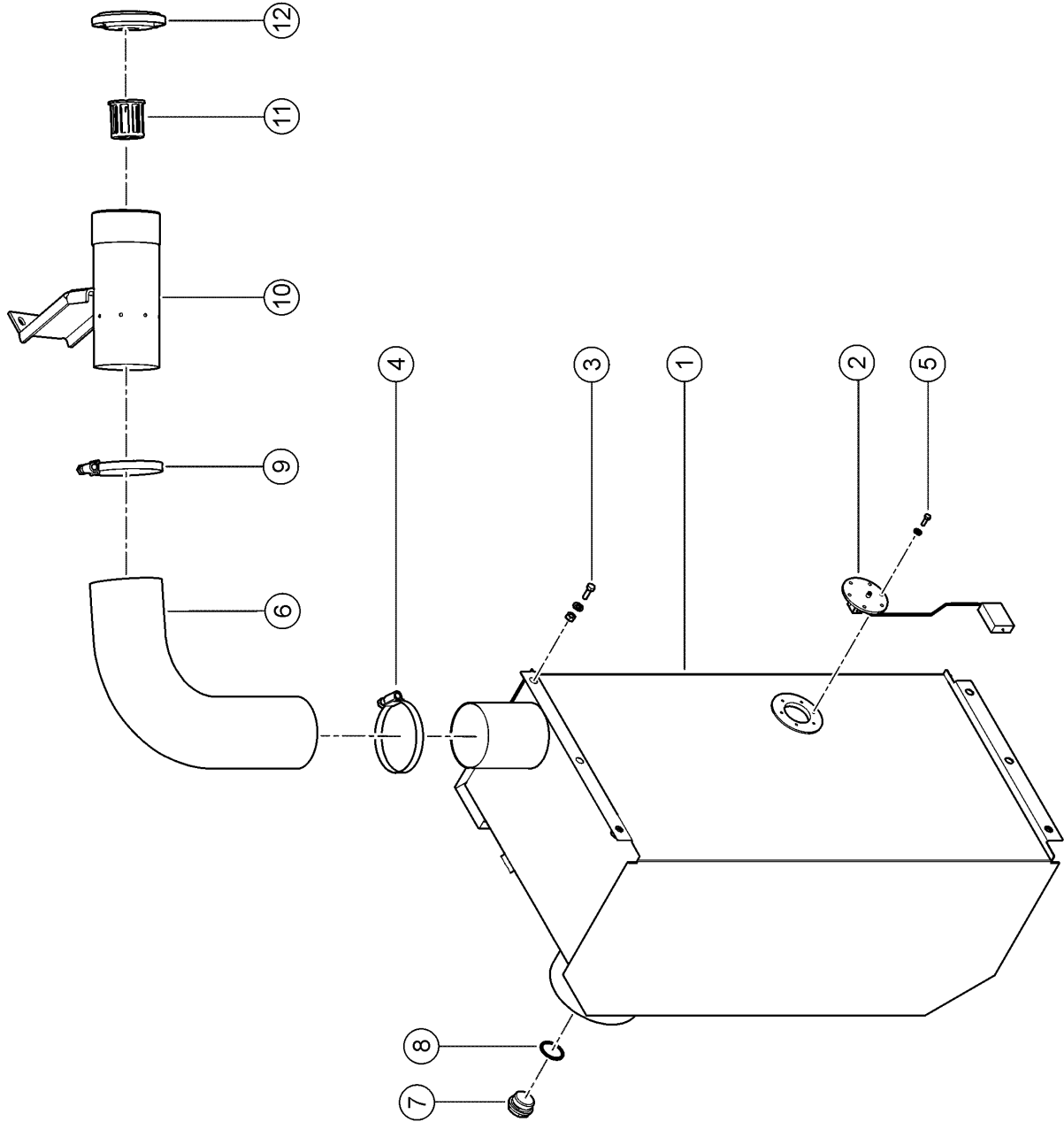
Pos.	Part No.	Description	Dimension	Quantity	Conditions
1	00 2213 471 0	CAM SHAFT		1	
1	00 2213 133 0	COLLAR SCREW		8	
2	00 2213 473 0	TOOTH WHEEL CPL.		1	
3	00 2213 131 0	CAMSHAFT WHEEL		1	
3	00 2213 132 0	SEGMENT		4	
4	00 2213 142 0	PIN		1	
5	00 2213 136 0	DRIVING GEAR		1	
5	00 2213 139 0	COMPRESS.SPRING		2	
5	00 2213 137 0	SENDER UNIT		2	
5	00 2213 141 0	PIN		2	
6	00 2213 140 0	PARALLEL KEY		1	
7	00 2213 138 0	RING		1	
8	00 2213 134 0	WASHER		1	
9	00 2213 135 0	SCREW		4	
10	00 2213 143 0	VALVE TAPPET		8	
11	00 2213 486 0	VALVE TAPPET		8	
12	00 2213 152 0	TILT LEVER		1	
13	00 2213 488 0	SHAFT		1	
14	00 2213 154 0	CAP		2	
15	00 2213 146 0	TILT LEVER		4	
16	00 2213 149 0	VALVE TAPPET		8	
17	00 2213 150 0	HEXAGONAL NUT		8	
18	00 2213 147 0	TILT LEVER		4	
19	00 2213 494 0	BUSH		8	
19	00 2213 148 0	BUSHING		8	
20	00 2213 158 0	TILT LEVER		1	
21	00 2213 159 0	TILT LEVER		2	
22	00 2213 160 0	TILT LEVER		1	
23	00 2213 163 0	THREADED PIN		1	
24	00 2213 151 0	SPRING		3	
25	00 2213 164 0	SPRING		2	
28	00 2213 165 0	SPRING CLIP		2	
28	00 2213 161 0	PIN		3	
28	00 2213 162 0	SCREW		1	
29	00 2213 132 0	SEGMENT		2	
30	00 2213 133 0	COLLAR SCREW		4	
31	00 2213 137 0	SENDER UNIT		2	
32	00 2213 141 0	PIN		2	
33	00 2213 139 0	COMPRESS.SPRING		2	
34	00 2213 162 0	SCREW		1	
35	00 2213 506 0	SEAL KIT		1	
36	00 2213 507 0	SEAL KIT		1	

E0439 0125A100A 1



100 FUEL TANK

Pos.	Part No.	Description	Dimension	Quantity	Conditions
1	00 0236 171 0	HEXAGONAL NUT	M10	6	
2	00 0239 394 1	CONTACT WASHER	B10	6	
3	00 0233 918 0	HEXAGON HEAD BOLT	M 5X16	6	
4	00 0236 490 1	SPRING WASHER	5	6	
5	00 0233 918 0	HEXAGON HEAD BOLT	M 5X16	6	
6	00 0020 043 1	FILTER		1	
7	00 0025 700 0	END CAP		1	
8	00 0687 607 0	DRAIN SCREW	M33X2	1	
9	00 0023 237 0	SEALING RING	A 33X39X2	1	
10	00 0025 552 0	FUEL TANK		1	
11	00 0024 992 0	LEVEL INDICATOR		1	



100 FUEL TANK 1)

Pos.	Part No.	Description	Dimension	Quantity	Conditions
1	00 2687 847 0	FUEL TANK		1	
2	00 0024 992 0	LEVEL INDICATOR		1	
3	00 0239 388 0	CONTACT WASHER	A10-10,2X22,25X1,6	6	
3	00 0236 171 0	HEXAGONAL NUT	M10	6	
4	00 0215 476 2	HOSE CLAMP	A - 100-120X12	1	
5	00 0233 918 0	HEXAGON HEAD BOLT	M 5X16	2	
5	00 0236 490 1	SPRING WASHER	5	2	
6	00 2285 460 0	HOSE		1	
7	00 0687 607 0	DRAIN SCREW	M33X2	1	
8	00 0023 237 0	SEALING RING	A 33X39X2	1	
9	00 0215 476 2	HOSE CLAMP	A - 100-120X12	1	
10	00 2285 439 0	FILLER NECK WD		1	
11	00 0020 043 1	FILTER		1	
12	00 0025 700 0	END CAP		1	
<hr/>					
1)	machine no.				+ from 7060257

140 FUEL PIPES

Pos.	Part No.	Description	Dimension	Quantity	Conditions
1	00 0633 114 1	FLAT SEAL RING	D 14X20X1,5	18	
2	00 0096 029 0	HOLLOW SCREW	10 - 3 - M14X1,5	8	
3	00 0607 178 0	RUBBER BEARING	18/18	2	
4	00 0239 331 0	CONNECTION	R14- 8	1	
5	00 0239 303 0	TUBE	11X1,5X2980	1	
5	00 0020 272 2	FUEL PIPE		1	
6	00 0020 236 1	FUEL PIPE		1	
7	00 0659 359 1	SCREW-ON ANGLE	20X3X79	1	
8	00 0659 959 1	STRAP	20X3X50	1	
9	00 0239 392 0	CONTACT WASHER	B 6 -6X18X1,4	1	
10	00 0237 333 0	HEX.HEAD BOLT	M06X35	1	
11	00 0689 237 0	ATTACHING CLAMP	2X25X25X3	2	
12	00 0020 921 0	FUEL PIPE		1	
13	00 0408 552 2	HOSE CLAMP	A-12-22X9	1	
14	00 2210 548 0	WATER SEPARATOR		1	
15	00 0020 920 0	FUEL PIPE	530 X 18 X 25	1	
16	00 0812 991 0	HOLDER CLAMP	D1-15X20	1	
16	00 0239 387 0	CONTACT WASHER	A8-8,2X18X1,4	6	
17	00 0380 428 0	MOUNT		1	1)
17	00 2285 385 0	BRACKET		1	2)
18	00 2223 213 0	LINE		1	
19	00 0379 537 0	ANGLE		1	
20	00 0812 991 0	HOLDER CLAMP	D1-15X20	1	
21	00 0215 083 0	HOLDER CLAMP	D1-30X25	1	
22	00 0237 438 0	HEXAGON HEAD BOLT	M8X12	2	
22	00 0236 170 0	HEXAGONAL NUT	M8	2	
22	00 0239 387 0	CONTACT WASHER	A8-8,2X18X1,4	2	
1)	machine no.		+ up to 07060256		
2)	machine no.		+ from 07060257		

Thank you so much for reading.
Please click the “Buy Now!”
button below to download the
complete manual.



After you pay.

You can download the most
perfect and complete manual in
the world immediately.

Our support email:

ebooklibonline@outlook.com