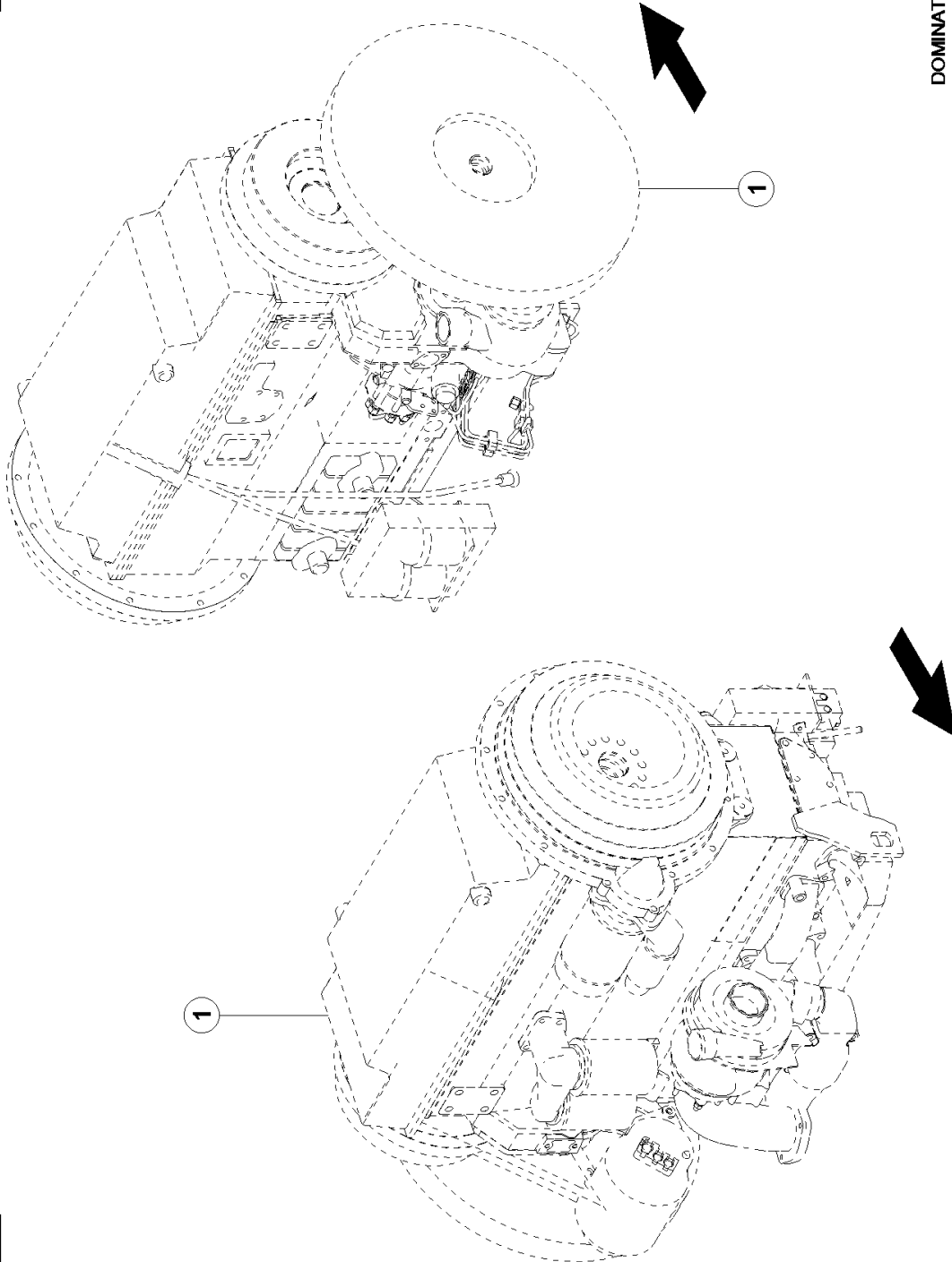


990

20305z00
DOMINATOR 150 / 140 / 130



CLAAS

010 COMPLETE ENGINE 1)

Pos.	Part No.	Description	Dimension	Quantity	Conditions
1	00 0530 100 0	ENGINE	1006-6T 112KW	1	2)
1	00 0761 043 2	ENGINE	1006-60T 100KW	1	3)
1	00 0796 489 2	ENGINE	CAT 3056 E 97 KW	1	4)
1	00 0798 999 0	ENGINE	CAT 3056 E 97 KW	1	5)

1) Equipment

MD_P02_0081	Perk. 1006-60T 100KW(EWG)/ 92KW(ECE)
MD_P02_0082	Perkins engine 1006.6T NON EU 104kW ECE R24 /112KW EEC
MD_P02_0450	CAT 3056E 97KW(EWG);
MD_P02_0451	0451_3056E EWG97kW Non-EU

2) Equipment

MD_P02_0082	Perkins engine 1006.6T NON EU 104kW ECE R24 /112KW EEC
-------------	--

3) Equipment

MD_P02_0081	Perk. 1006-60T 100KW(EWG)/ 92KW(ECE)
-------------	--------------------------------------

4) Equipment

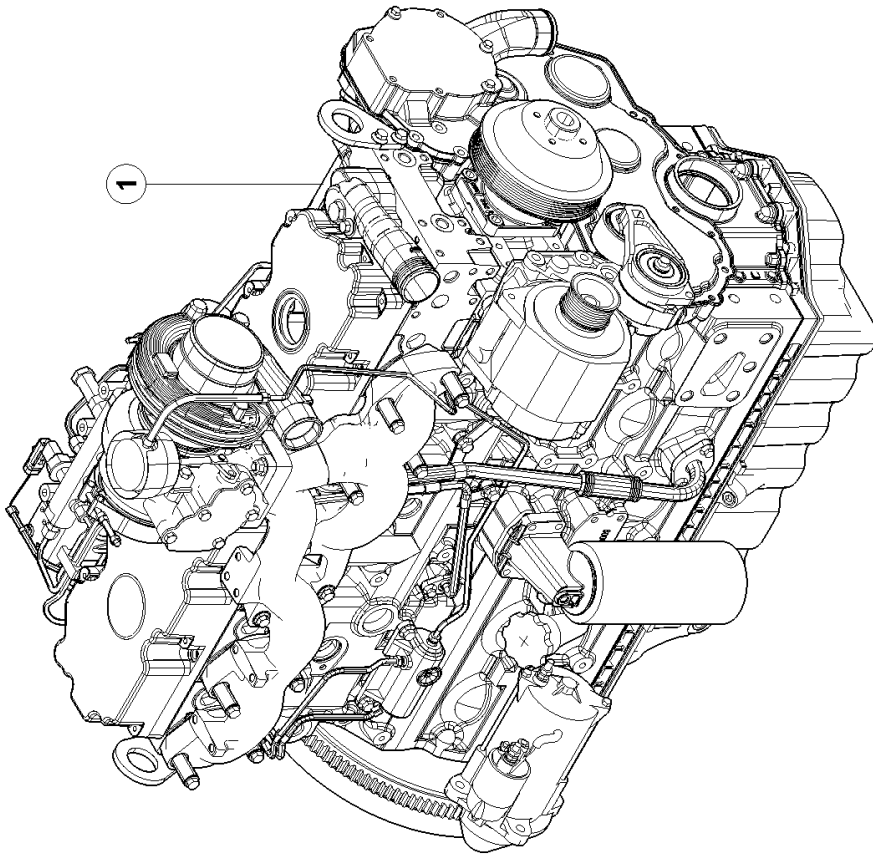
MD_P02_0450	CAT 3056E 97KW(EWG);
-------------	----------------------

5) Equipment

MD_P02_0451	0451_3056E EWG97kW Non-EU
-------------	---------------------------

991

20306z00
DOMINATOR 150 / 140 / 130



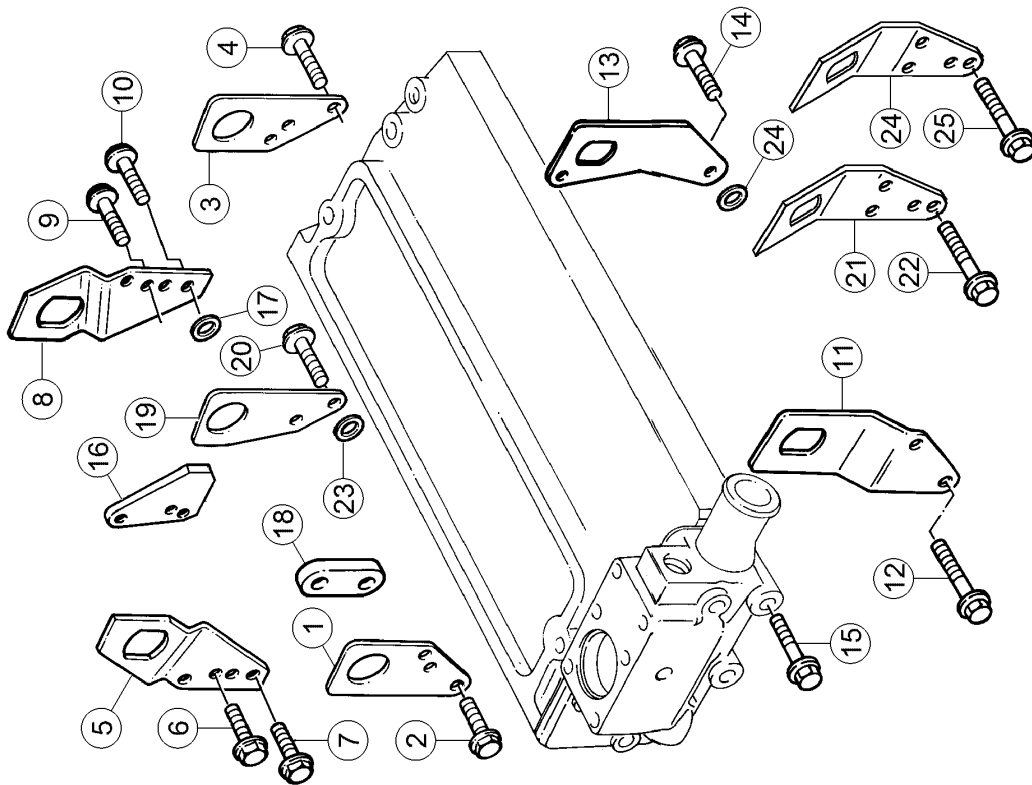
CLAAS



010 COMPLETE ENGINE 1)

Pos.	Part No.	Description	Dimension	Quantity	Conditions
1	00 0530 050 0	ENGINE	CAT C6.6 100,5KW	1	
1)	Equipment				
		MD_P02_0452	C6.6 EWG97kW		
		MD_P02_0462	0462_C6.6 EWG112KW/ECE104KW		

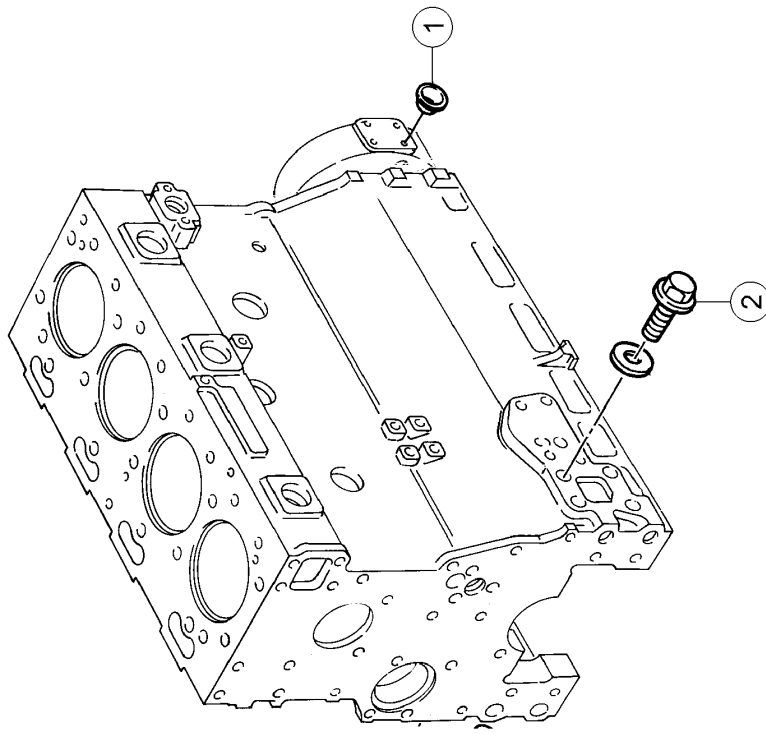
PKXBH00314



100 ENGINE SUSPENSION 1)

Pos.	Part No.	Description	Dimension	Quantity	Conditions
5	00 1997 587 0	PLATE		1	
6	00 1996 843 0	SCREW		2	
7	00 1997 723 0	SCREW		2	
8	00 1997 594 0	PLATE		1	
9	00 1137 332 0	SCREW		2	
10	00 1996 843 0	SCREW		2	
<hr/>					
1)	Equipment				
		MD_P02_0082			Perkins engine 1006.6T NON EU 104kW ECE R24 /112KW EEC

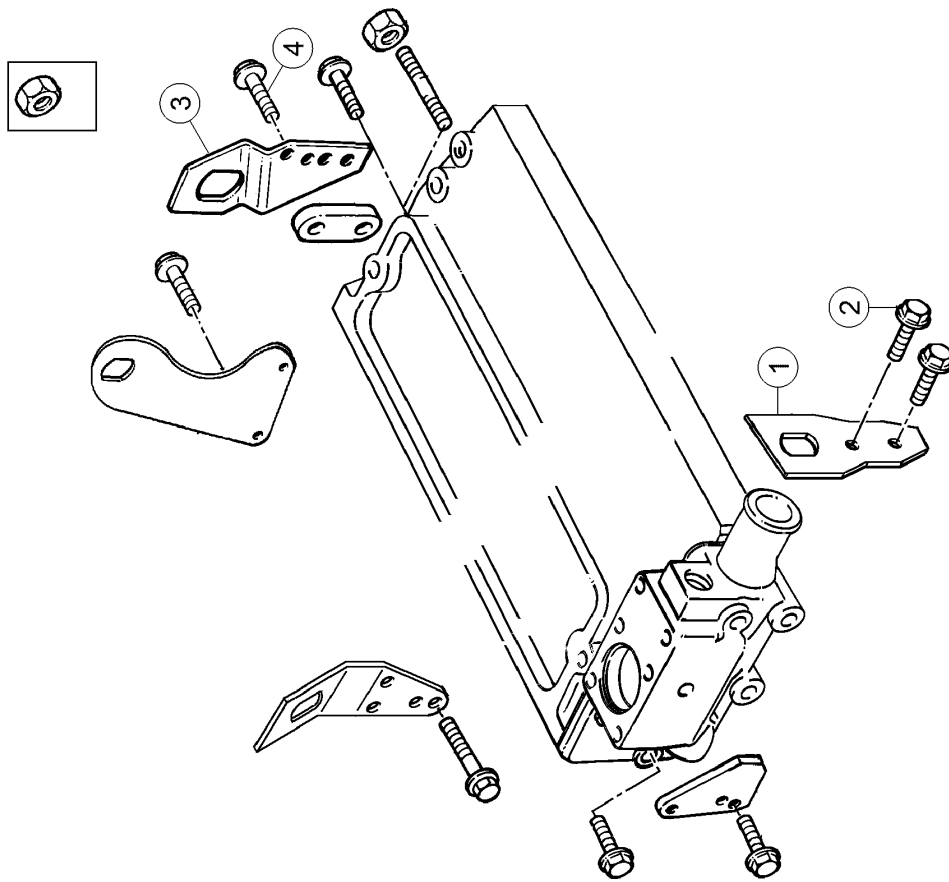
PKZCH00838



100 ENGINE SUSPENSION 1)

Pos.	Part No.	Description	Dimension	Quantity	Conditions
1	00 1997 981 0	PLUG		4	
2	00 1997 710 0	SCREW		8	
1)	Equipment	MD_P02_0082			Perkins engine 1006.6T NON EU 104kW ECE R24 /112KW EEC

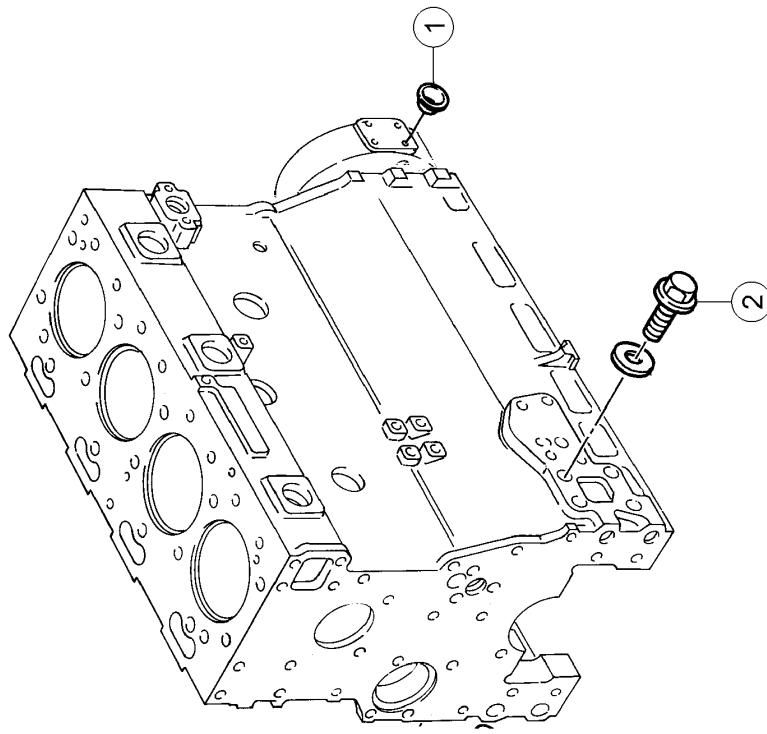
PKXBH00430



100 ENGINE SUSPENSION 1)

Pos.	Part No.	Description	Dimension	Quantity	Conditions
1	00 1997 891 0	PLATE		1	
2	00 1996 843 0	SCREW		2	
3	00 1997 892 0	PLATE		1	
4	00 1996 843 0	SCREW		2	
<hr/>					
1)	Equipment				
		MD_P02_0081	Perk. 1006-60T 100KW(EWG)/ 92KW(ECE)		

PKZCH00838



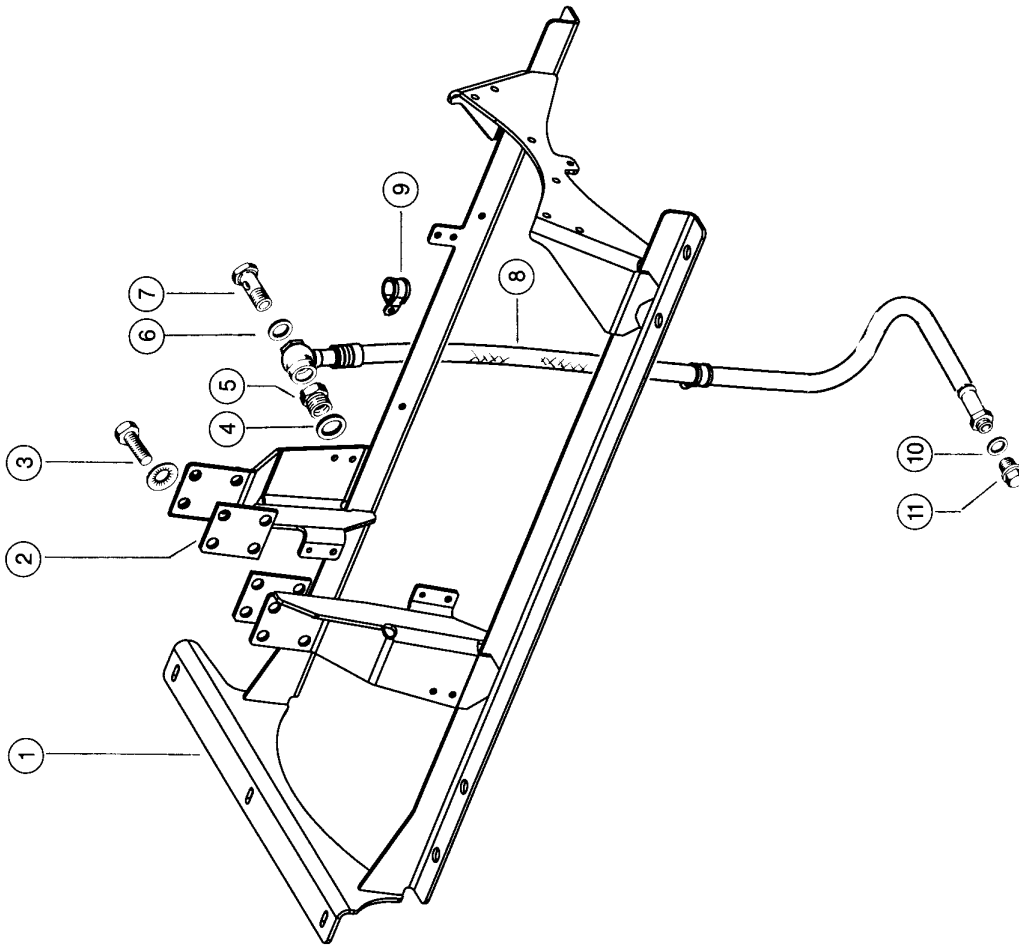
100 ENGINE SUSPENSION 1)

Pos.	Part No.	Description	Dimension	Quantity	Conditions
1	00 1997 981 0	PLUG		4	
2	00 1997 710 0	SCREW		8	
<hr/>					
1)	Equipment				
		MD_P02_0081	Perk. 1006-60T 100KW(EWG)/ 92KW(ECE)		

CLAAS

CAT 3056 E

333



20181Z02
DOMINATOR 150 / 140 / 130

133666/02

ENGINE ACCESSORIES; CONSOLE 1)

Pos.	Part No.	Description	Dimension	Quantity	Conditions
1	00 0796 540 1	ENGINE MOUNTING		1	
2	00 0657 013 0	INTERMED.SHIM	80X6X94,7	2	
3	00 0233 583 0	HEXAGON HEAD BOLT	M16X35-MKL	8	
3	00 0239 391 0	CONTACT WASHER	A16	8	
4	00 0633 536 0	SEALING RING	A 20X26	1	
5	00 0760 710 0	SCREW UNION	6KT 36X42,5	1	
6	00 0238 268 1	SEALING RING	D26X32X2	2	
7	00 0215 393 0	HOLLOW SCREW	22 - 3 - M26X1,5	1	
8	00 0643 397 0	OIL DRAIN HOSE		1	
9	00 0215 394 0	HOLDER CLAMP	D1-24X20	2	
10	00 0633 032 1	SEALING RING	D22X27X1,5	1	
11	00 0766 568 1	SCREW PLUG	A-M22X1,5	1	

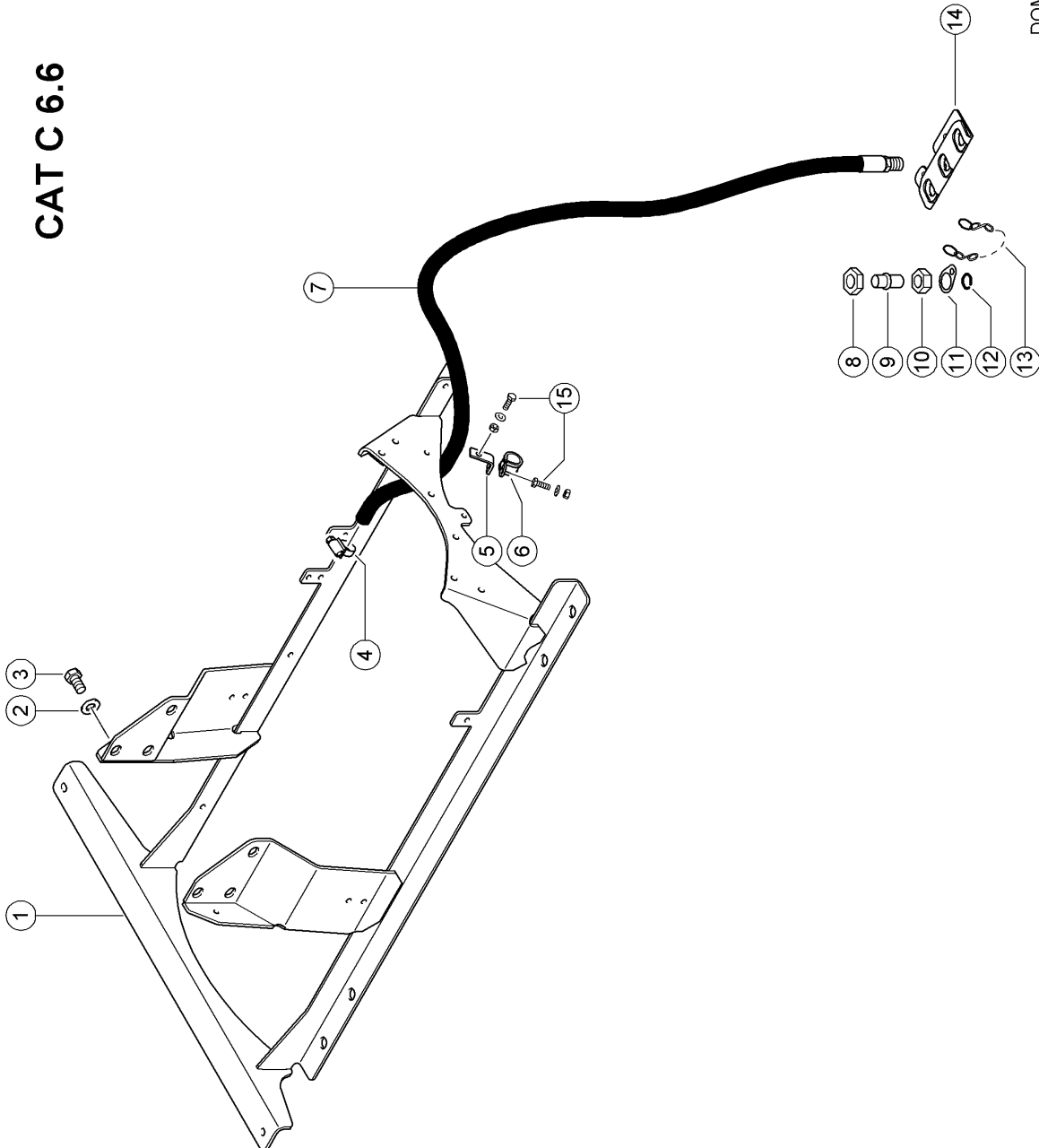
1) Equipment

MD_P02_0450	CAT 3056E 97KW(EWG);
MD_P02_0451	0451_3056E EWG97kW Non-EU
MD_P02_0460	CAT 3056E 112KW(EWG);

333A

CAT C 6.6

CLAAS



20267z01
DOMINATOR 150 / 140 / 130



Thank you so much for reading.
Please click the “Buy Now!”
button below to download the
complete manual.



After you pay.

You can download the most
perfect and complete manual in
the world immediately.

Our support email:

ebooklibonline@outlook.com