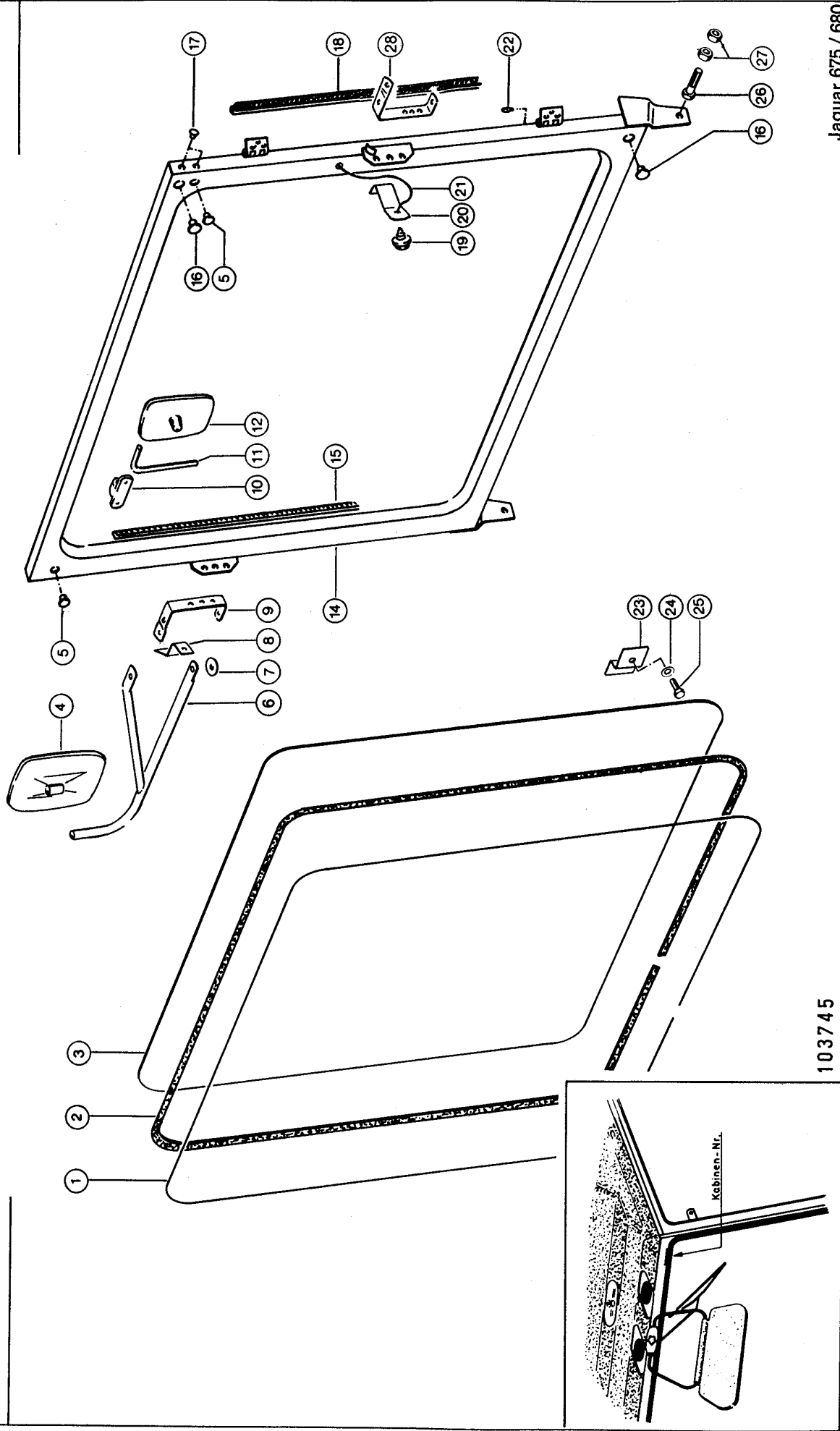


CLAAS

1



Jaguar 675 / 680

103745

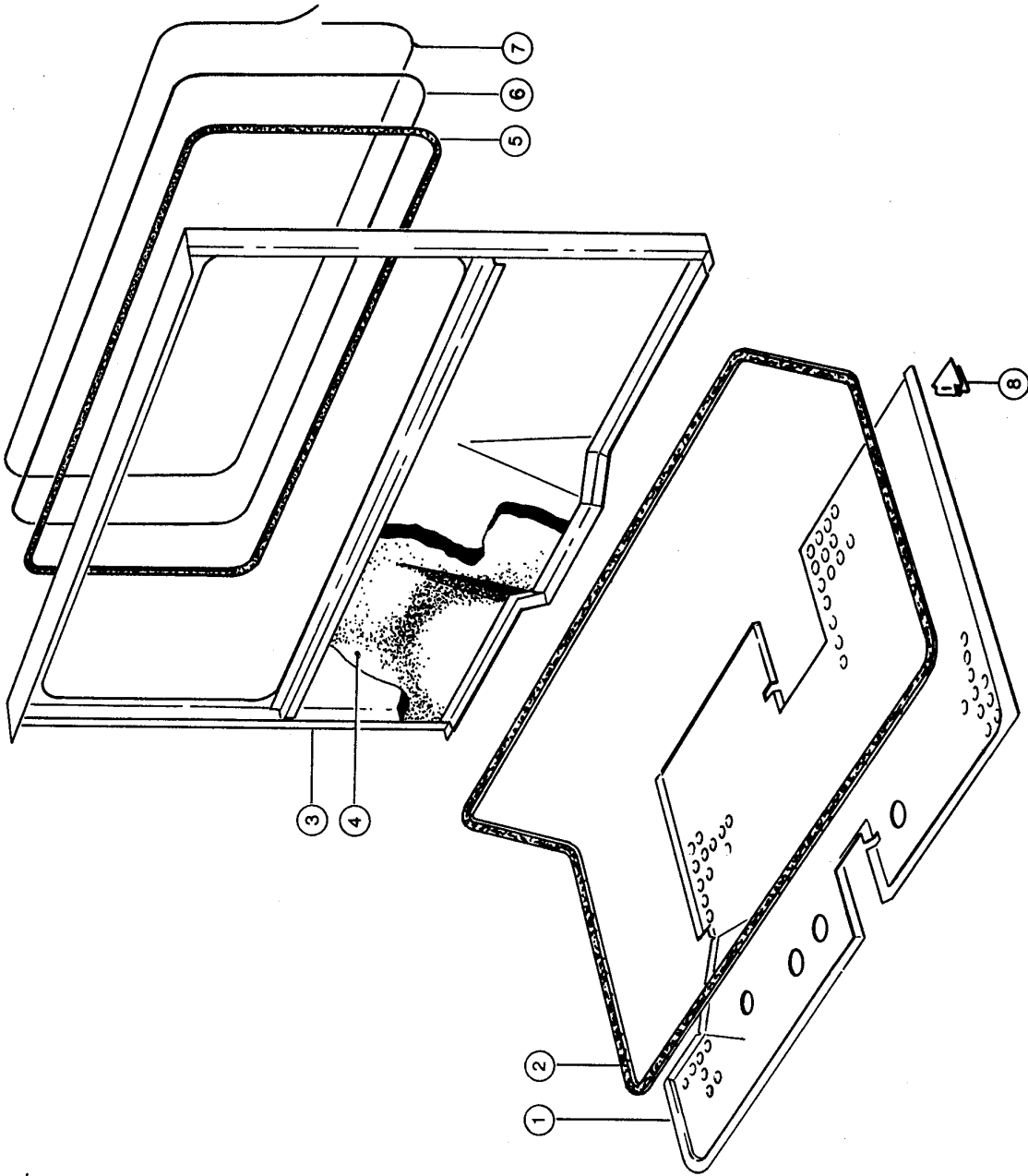
CAB, FRONT SIDE, VAR. 3906

| Pos. | Part No. | Description | Dimension | Quantity | Conditions |
|------|----------------------|-------------------|-----------------|----------|------------|
| 1 | 00 0201 420 0 | FILLING PROFILE | 7,5 X 9,5 | 1 | 1) |
| 2 | 00 0201 419 0 | CLAMP PROFILE | | 1 | 1) |
| 3 | 00 0606 336 0 | FRONT WINDOW | 6,6X 129X1303 | 1 | |
| 4 | 00 0682 146 0 | MIRROR | GLAS-NR.1787380 | 2 | |
| 4 | 00 0178 738 0 | GLASS, MIRROR | | 2 | |
| 5 | 00 0606 280 0 | PLUG | | 2 | |
| 6 | 00 0071 491 0 | MIRROR SUPPORT | | 2 | |
| 7 | 00 0682 290 0 | WASHER | 12,5X30X 2 | 4 | |
| 8 | 00 0724 919 1 | CABIN CONNECTOR | 30X5X117 | 2 | |
| 9 | 00 0071 852 0 | BRACKET R.H. | 30X8X410 | 1 | 2) |
| 9 | 00 0071 490 0 | BRACKET | | 1 | 3) |
| 10 | 00 0658 211 0 | MIRROR SUPPORT | | 1 | 4) |
| 11 | 00 0071 691 0 | TUBE | D12X1,5X250 | 1 | 4) |
| 12 | 00 0658 210 0 | REAR MIRROR | | 1 | 4) |
| 12 | 00 0178 740 0 | GLASS, MIRROR | | 1 | 5) |
| 14 | 00 0606 335 0 | FRONT FRAME | . | 1 | |
| 15 | 00 0200 706 0 | EDGE PROTECTOR | 10X14,5X3,5 | 1 | |
| 16 | 00 0606 252 0 | PLUG | | 2 | |
| 17 | 00 0606 279 0 | PLUG | | 4 | |
| 18 | 00 0201 354 0 | SEALING PROFILE | 2,0-3,5 | 1 | |
| 19 | 00 0071 501 1 | NOZZLE | | 1 | |
| 20 | 00 0062 811 1 | SUPPORT | 1,5X40X108 | 1 | |
| 21 | 00 0205 294 0 | PVC-HOSE | 4X1 | 1 | 6) |
| 22 | 00 0236 942 0 | GREASE NIPPLE | A S6X1 | 2 | |
| 23 | 00 0621 017 0 | Z-PROFILE | 50X3X80 | 4 | |
| 24 | 00 0239 393 1 | CONTACT WASHER | B 8 -8.2X22X1,9 | 4 | |
| 25 | 00 0236 200 0 | HEXAGON HEAD BOLT | M8X20 | 4 | |
| 26 | 00 0237 462 0 | HEXAGON HEAD BOLT | M12X40 | 2 | |
| 27 | 00 0236 172 0 | HEXAGONAL NUT | M12 | 4 | |
| 28 | 00 0071 851 0 | BRACKET L.H. | 30X8X410 | 1 | 2) |
| 28 | 00 0071 490 0 | BRACKET | | 1 | 3) |

| | | |
|-----------|----------------|--|
| 1) | Remarks | 5000 long |
| 2) | Remarks | from No. 18200243 from No. 18400011 |
| 3) | Remarks | BIS NR. 18200242 |
| 4) | Remarks | only for in country |
| 5) | Remarks | NUR FUER INLAND |
| 6) | Remarks | 4500 long |

2

Jaguar 675 / 680



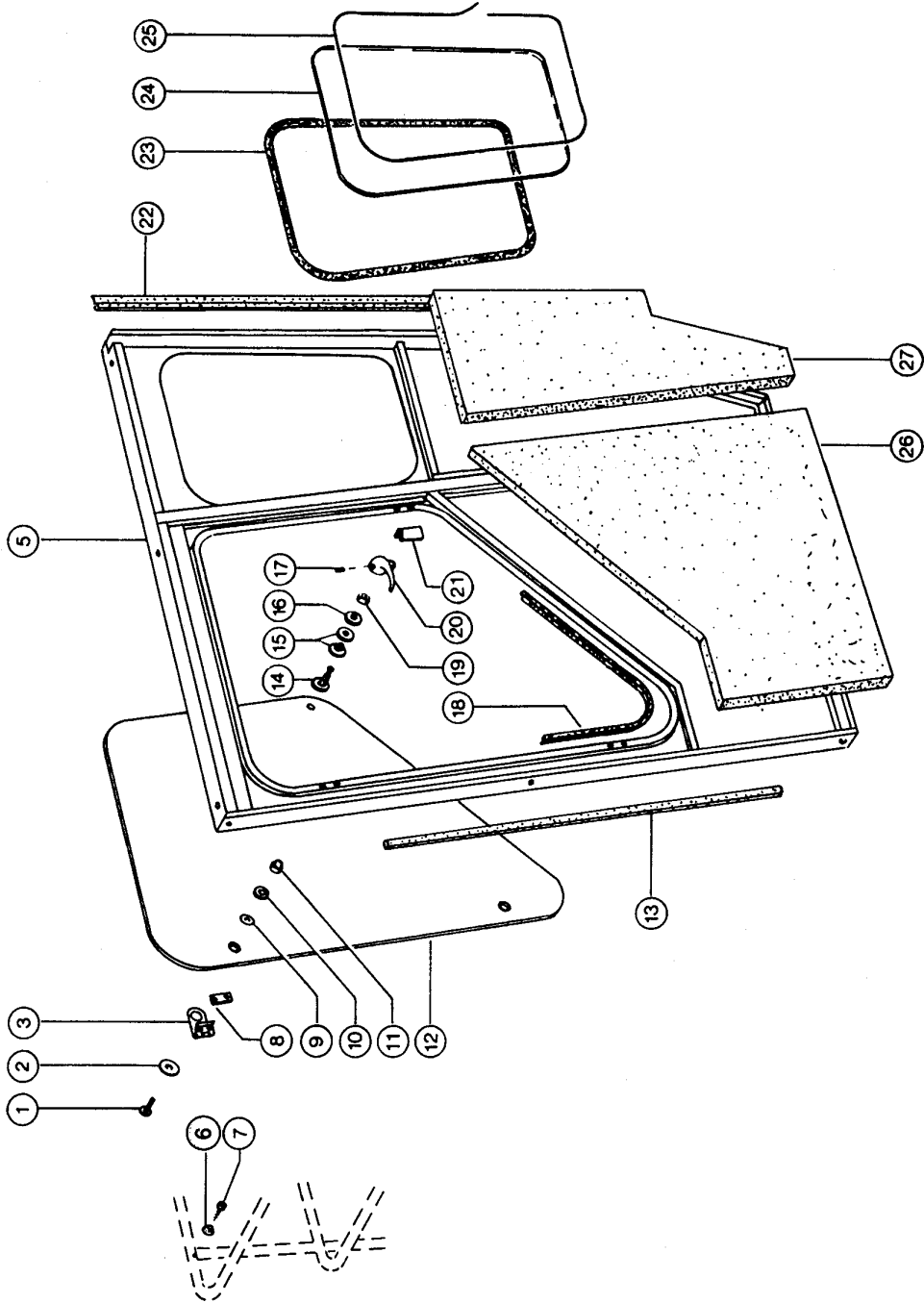
CLAAS

CAB, BACK SIDE, VAR. 3906

| Pos. | Part No. | Description | Dimension | Quantity | Conditions |
|-----------|----------------------|-------------------|-------------------|----------|------------|
| 1 | 00 0071 498 7 | FLOOR MAT | 1310X810 | 1 | |
| 2 | 00 0606 217 1 | SEAL STRIP | 1-4 MM; 17,2X33,4 | 1 | |
| 3 | 00 0071 479 0 | REAR PANEL | | 1 | |
| 4 | 00 0071 489 2 | INSULATION | 28X 510X1405 | 1 | |
| 5 | 00 0201 419 0 | CLAMP PROFILE | | 1 | 1) |
| 6 | 00 0071 488 0 | REAR PANEL GLASS | 6 X 478X1283 | 1 | |
| 7 | 00 0201 420 0 | FILLING PROFILE | 7,5 X 9,5 | 1 | 1) |
| 8 | 00 0606 251 0 | CORNER METAL SEAL | | 3 | |
| 1) | Remarks | 3400 long | | | |

3

Jaguar 675 / 680



CLAAS

CAB, R.H. SIDE, VAR. 3906

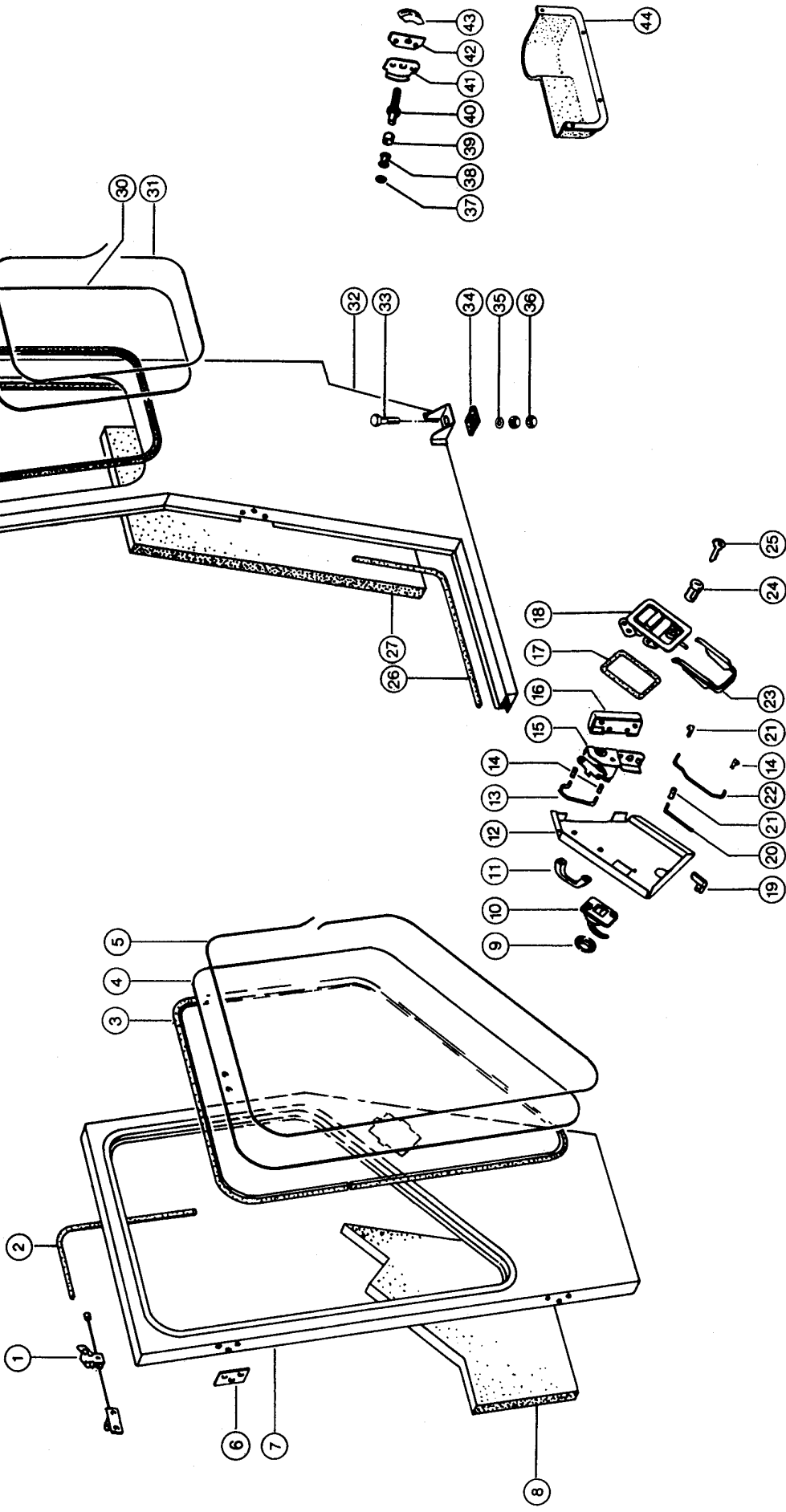
| Pos. | Part No. | Description | Dimension | Quantity | Conditions |
|------|----------------------|-------------------|-------------------------|----------|------------|
| 1 | 00 0610 098 1 | COACH BOLT | M8X20 | 2 | |
| 2 | 00 0606 351 0 | RUBBER DISC | CD-4-300-01 | 2 | |
| 3 | 00 0606 381 0 | HINGE | | 2 | |
| 5 | 00 0071 582 0 | SIDE WALL R.H. | S | 1 | |
| 6 | 00 0606 220 0 | RUBBER PAD | D26/D22XH15-D4/D121 | | |
| 7 | 00 0242 788 1 | CYCL. PLATE SCREW | ST3,9X9,5-C | 1 | |
| 8 | 00 0606 389 0 | THREADED PLATE | . | 2 | |
| 9 | 00 0606 352 0 | RUBBER DISC | CD-4-300-02 | 2 | |
| 10 | 00 0606 353 0 | DISC | W.ERS.D.2379530 | 2 | |
| 11 | 00 0238 088 0 | CAP NUT | M 8 | 2 | |
| 12 | 00 0606 376 0 | SIDE GLAS | | 1 | |
| 13 | 00 0201 480 0 | WOOD PULP STRIP | 12X4 SELBSTKLEB | 1 | 1) |
| 14 | 00 0606 357 1 | PIN | | 1 | |
| 15 | 00 0606 358 0 | RUBBER DISC | CD-4-301-04/1 | 2 | |
| 16 | 00 0606 359 0 | WASHER | | 1 | |
| 17 | 00 0239 428 0 | THREADED PIN | M 5X16 | 1 | |
| 18 | 00 0201 354 0 | SEALING PROFILE | 2,0-3,5 | 1 | |
| 19 | 00 0237 786 0 | FLAT HEX NUT | M10 | 1 | |
| 20 | 00 0606 360 0 | HANDLE | CD-4-301-06/1 | 1 | |
| 21 | 00 0606 380 0 | CLAMPING PIECE | | 1 | |
| 22 | 00 0205 078 0 | LIP PROFILE | 33 X 7 (WITH SEALING LI | | |
| 23 | 00 0201 419 0 | CLAMP PROFILE | | 1 | 2) |
| 24 | 00 0071 529 0 | SIDE GLAS | 6 X 375X 530 | 1 | |
| 25 | 00 0201 420 0 | FILLING PROFILE | 7,5 X 9,5 | 1 | 2) |
| 26 | 00 0071 505 0 | INSULATION | 28 DICK | 1 | |
| 27 | 00 0071 504 0 | INSULATION | 28X 380X778 | 1 | |

1) Remarks 10 m

2) Remarks 1800 long

4

CLAAS



Jaguar 675 / 680

103748

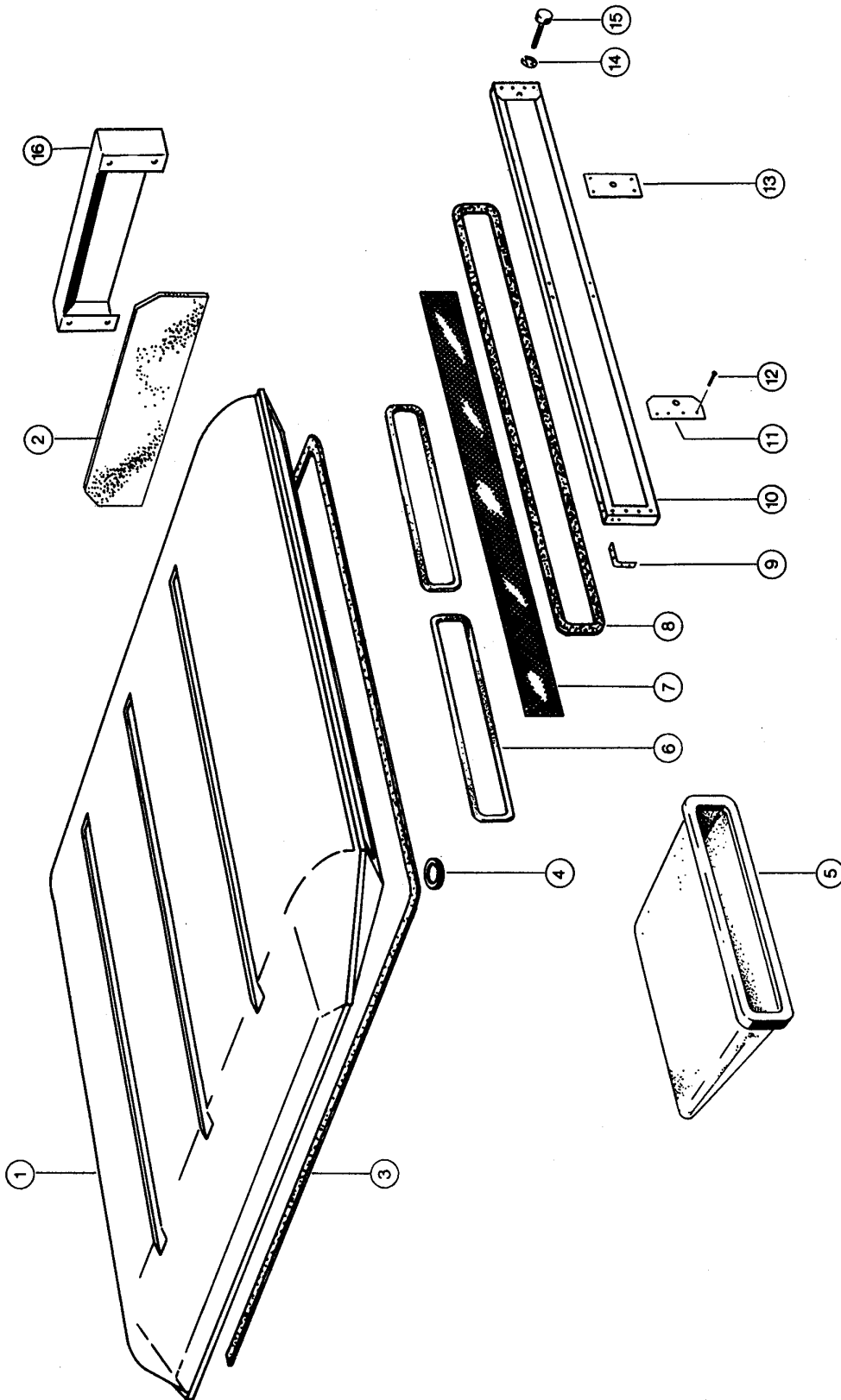
CAB, L.H. SIDE, VAR. 3906

| Pos. | Part No. | Description | Dimension | Quantity | Conditions |
|------|----------------------|-------------------|-----------------------------|----------|------------|
| 1 | 00 0606 313 0 | CHECK STRAP DOOR | | 1 | |
| 2 | 00 0200 706 0 | EDGE PROTECTOR | 10X14,5X3,5 | 1 | |
| 3 | 00 0201 419 0 | CLAMP PROFILE | | 1 | 1) |
| 4 | 00 0606 391 0 | DOOR GLASS | | 1 | |
| 5 | 00 0201 420 0 | FILLING PROFILE | 7,5 X 9,5 | 1 | 1) |
| 6 | 00 0606 255 1 | THREADED PLATE | . | 2 | |
| 7 | 00 0606 399 0 | DOOR | | 1 | |
| 8 | 00 0071 507 0 | INSULATION | 28 DICK | 1 | |
| 9 | 00 0606 293 0 | RUBBER DISC | CD-4-530-03 | 1 | |
| 10 | 00 0606 291 0 | INNER HANDLE | | 1 | |
| 11 | 00 0606 290 0 | HANDLE | | 1 | |
| 12 | 00 0606 436 1 | LOCK BOX | | 1 | |
| 13 | 00 0606 438 0 | OPERATING ROD | | 1 | |
| 14 | 00 0606 286 0 | CLAMPING PIECE RH | | 3 | |
| 15 | 00 0606 285 0 | LEVER | | 1 | |
| 16 | 00 0606 283 0 | LOCK | | 1 | |
| 17 | 00 0606 288 0 | GASKET | | 1 | |
| 18 | 00 0606 284 0 | RECESS + KEY | | 1 | |
| 19 | 00 0606 452 0 | BRACKET | | 1 | |
| 20 | 00 0606 451 0 | OPERATING ROD | | 1 | |
| 21 | 00 0606 289 0 | CLAMPING PIECE LH | | 2 | |
| 22 | 00 0606 440 0 | OPERATING ROD | | 1 | |
| 23 | 00 0606 287 0 | FRAME | | 1 | |
| 24 | 00 0621 993 0 | LOCKING CYLINDER | W.ERS.D.6219931 | 1 | |
| 25 | 00 0606 222 0 | DOOR KEY | | 3 | |
| 26 | 00 0201 354 0 | SEALING PROFILE | 2,0-3,5 | 1 | |
| 27 | 00 0071 499 0 | INSULATION | 28X520X750 | 1 | |
| 28 | 00 0205 078 0 | LIP PROFILE | 33 X 7 (WITH SEALING1 LI | | |
| 29 | 00 0201 419 0 | CLAMP PROFILE | | 1 | 2) |
| 30 | 00 0071 529 0 | SIDE GLAS | 6 X 375X 530 | 1 | |
| 31 | 00 0201 420 0 | FILLING PROFILE | 7,5 X 9,5 | 1 | 2) |
| 32 | 00 0071 580 0 | SIDE WALL L.H. | S | 1 | |
| 33 | 00 0237 573 0 | HEXAGON HEAD BOLT | M12X50 | 2 | |
| 34 | 00 0606 219 1 | RUBBER PAD | | 2 | |
| 35 | 00 0239 395 1 | CONTACT WASHER | B12 | 2 | |
| 36 | 00 0236 172 0 | HEXAGONAL NUT | M12 | 4 | |
| 37 | 00 0606 325 0 | WASHER | 8,2X22X5 | 1 | |
| 38 | 00 0606 326 0 | RUBBER SLEEVE | CD-4-214-03 | 1 | |
| 39 | 00 0606 327 0 | SPACER TUBE | | 1 | |
| 40 | 00 0606 324 0 | PIN | | 1 | |
| 41 | 00 0606 331 0 | LOCKING PIECE | | 1 | |
| 42 | 00 0606 304 0 | THREADED PLATE | . | 1 | |
| 43 | 00 0071 543 0 | DOOR SEAL | 15X20X 60 | 1 | |
| 44 | 00 0606 216 1 | DEPOSIT TRAY | | 1 | |

1) Remarks 3000 long

2) Remarks 1800 long

5



Jaguar 675 / 680

CLAAS

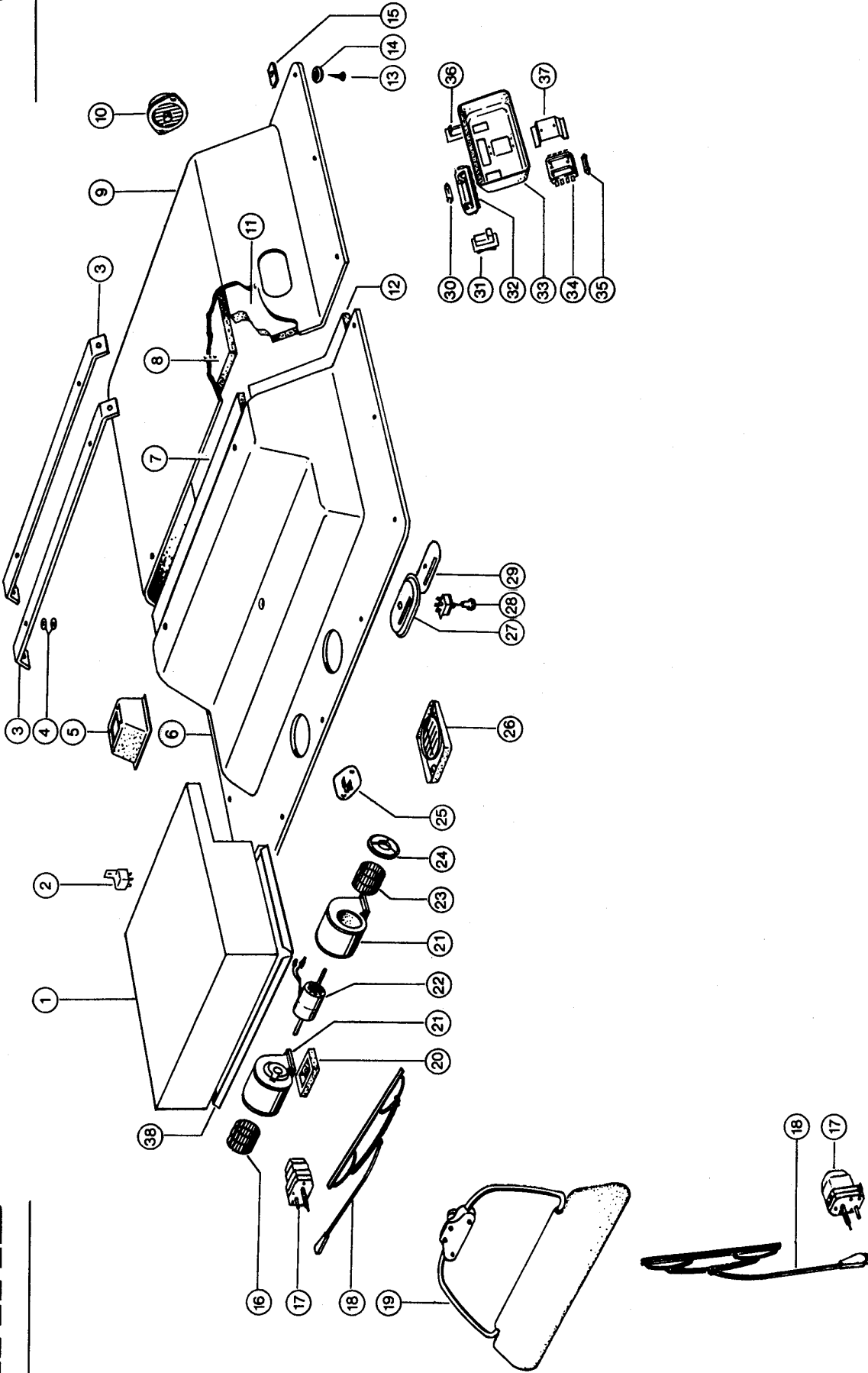
CAB, ROOF, VAR. 3906

| Pos. | Part No. | Description | Dimension | Quantity | Conditions |
|------|----------------------|-----------------|-----------------|----------|------------|
| 1 | 00 0071 524 0 | ROOF | | 1 | |
| 2 | 00 0071 536 0 | FILTER | | 1 | |
| 3 | 00 0201 480 0 | WOOD PULP STRIP | 12X4 SELBSTKLEB | 1 | 1) |
| 4 | 00 0606 410 0 | RUBBER DISC | 6 X 12X 2 | 2 | |
| 5 | 00 0071 525 1 | POCKET FILTER | | 4 | |
| 6 | 00 0201 354 0 | SEALING PROFILE | 2,0-3,5 | 1 | |
| 7 | 00 0071 521 0 | GRILLE | 115X1102 | 2 | |
| 8 | 00 0606 484 1 | SEALING | 2230LG | 2 | |
| 9 | 00 0606 398 1 | ANGLE | | 2 | |
| 10 | 00 0071 520 0 | FRAME | U 16/13X2X2476 | 2 | |
| 11 | 00 0071 515 0 | PLATE | 2X38X130 | 4 | |
| 12 | 00 0238 018 1 | BLIND RIVET | A 4X9 | 32 | |
| 13 | 00 0071 516 0 | PLATE | 2X40X130 | 2 | |
| 14 | 00 0233 245 0 | STARLOCK WASHER | 8 | 6 | |
| 15 | 00 0071 526 1 | KNURLED BOLT | L 40X50 PF | 6 | |
| 16 | 00 0071 540 1 | GUARD BOX | 1,5X127X448 | 1 | |

1) Remarks 10 m

6

CLAAS



Jaguar 675 / 680

103750

CAB, ROOF, VAR. 3906

| Pos. | Part No. | Description | Dimension | Quantity | Conditions |
|------|----------------------|-------------------|-----------------|----------|------------|
| 1 | 00 0621 113 0 | FAN+HEATER | KPH 400 | 1 | |
| 2 | 00 0744 071 1 | RELAIS | | 1 | |
| 3 | 00 0606 463 1 | SUPPORT BRACKET | | 2 | |
| 4 | 00 0606 392 0 | LEATHER DISC | 9X28X3 | 8 | |
| 5 | 00 0606 379 0 | AIR INTAKE HSG. | CD-2-670-01 | 2 | |
| 6 | 00 0606 393 3 | SKYLIGHT FRONT | | 1 | |
| 7 | 00 0606 491 0 | INSULATION | CD-4-641-03 | 1 | |
| 8 | 00 0606 493 0 | INSULATION | CD-4-642-03 | 1 | |
| 9 | 00 0606 394 4 | SKYLIGHT REAR | | 1 | |
| 10 | 00 0606 235 0 | GRILL | | 2 | 1) |
| 10 | 00 0601 479 0 | NOZZLE | | 2 | 2) |
| 11 | 00 0606 396 0 | ISOLATION LEFT | CD-4-642-04 | 1 | |
| 11 | 00 0606 492 0 | ISOLATION RIGHT | CD-4-642-02 | 1 | |
| 12 | 00 0606 395 0 | ISOLATION LEFT | CD-4-641-04 | 1 | |
| 12 | 00 0606 490 0 | ISOLATION RIGHT | CD-4-641-02 | 1 | |
| 13 | 00 0239 489 1 | FILL.HEAD SCREW | ST 6,3X32-C-H | 18 | |
| 14 | 00 0239 490 0 | HOLLOW DISC | 7X15 | 18 | |
| 15 | 00 0239 487 0 | NUT | ST6,3 - 2,5-3,0 | 18 | |
| 16 | 00 0177 450 0 | FAN WHEEL R.H. | | 1 | |
| 17 | 00 0621 970 0 | WIPER MOTOR | 12 V | 2 | |
| 18 | 00 0621 971 0 | WIPING ARM+BLADE | | 2 | |
| 18 | 00 0621 878 1 | WIPER BLADE | | 2 | |
| 19 | 00 0620 348 1 | SUN VISOR | | 1 | |
| 20 | 00 0621 395 0 | GASKET | | 2 | |
| 21 | 00 0177 453 0 | FAN HOUSING | | 2 | |
| 22 | 00 0177 452 0 | ELECTRIC MOTOR | 12 V | 2 | |
| 23 | 00 0177 451 0 | FAN WHEEL L.H. | | 1 | |
| 24 | 00 0177 454 0 | VENT.INTAKE BLIND | | 2 | |
| 25 | 00 0177 449 0 | RESISTANCE | | 1 | |
| 26 | 00 0606 494 1 | GRILL | | 2 | |
| 27 | 00 0693 853 0 | FRAME | | 1 | |
| 28 | 00 0177 455 0 | FAN SWITCH | | 1 | |
| 28 | 00 0177 470 0 | DRAW KNOB | 19MM/M.SCHRAUBE | 1 | |
| 29 | 00 0514 261 2 | STICKER | WARM/KALT | 1 | |
| 30 | 00 0178 712 0 | LAMP | | 1 | |
| 31 | 00 0071 532 0 | ROCKER SWITCH | | 1 | |
| 31 | 00 0071 533 0 | SWITCH INSERT | | 1 | |
| 31 | 00 0239 215 0 | LAMP | | 1 | |
| 32 | 00 0071 530 0 | INNER LAMP | | 1 | |
| 33 | 00 0071 528 0 | ELECTR.CONSOLE | | 1 | |
| 34 | 00 0604 194 0 | FUSE BOX | | 1 | 3) |
| 34 | 00 0658 207 0 | FUSE BOX | | 1 | 4) |
| 35 | 00 0239 358 0 | FUSE | A 16 | 4 | 3) |
| 35 | 00 0178 701 0 | FUSE | A 8 | 4 | 4) |
| 36 | 00 0071 445 2 | COVER | | 1 | |
| 37 | 00 0606 224 1 | SUPPORTING PLATE | | 1 | |
| 38 | 00 0606 239 1 | COVER PLATE | CD-1-671-01 | 1 | |

1) Remarks from cabin No. 10600

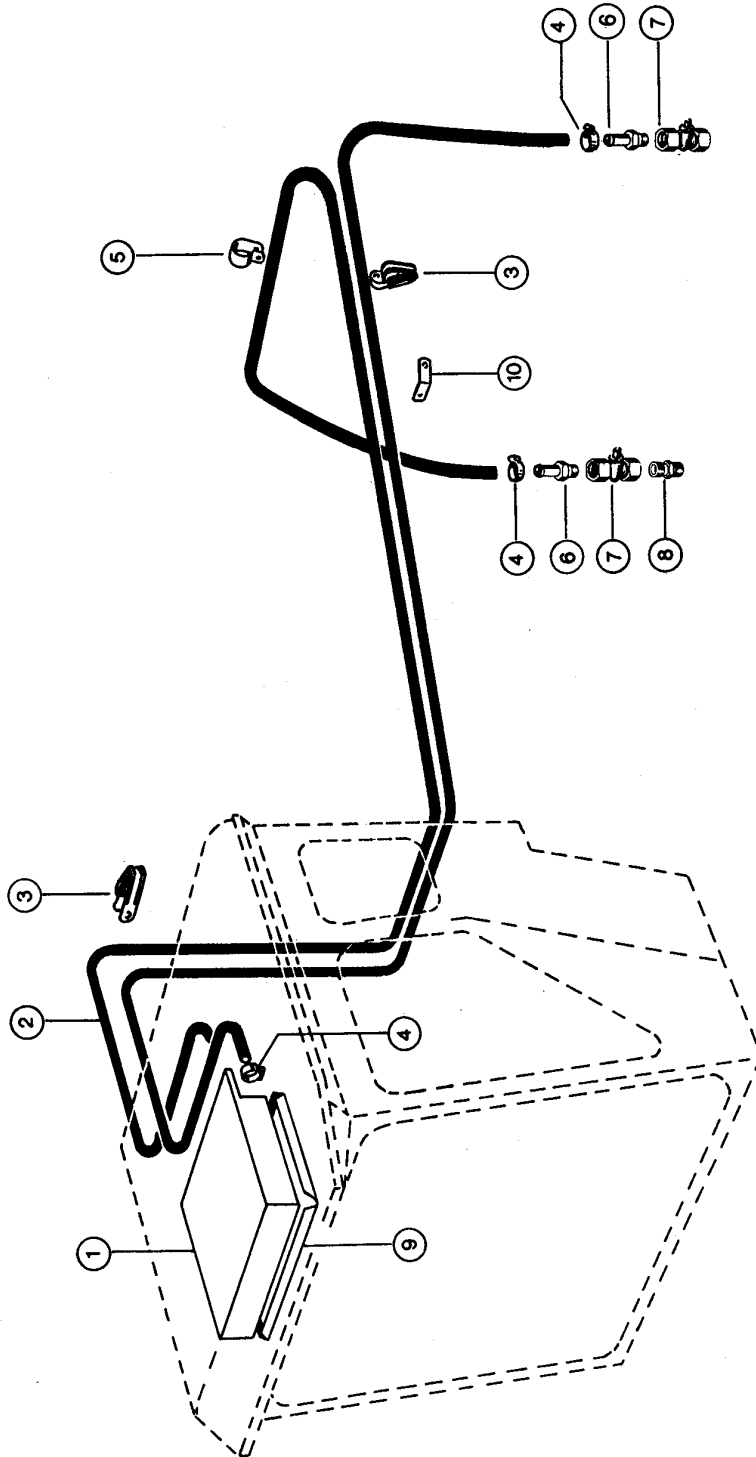
2) Remarks BIS KABINEN-NR. 10599

3) Remarks from No. 18200078

4) Remarks BIS NR. 18200077

7

CLAAS



Jaguar 675 / 680

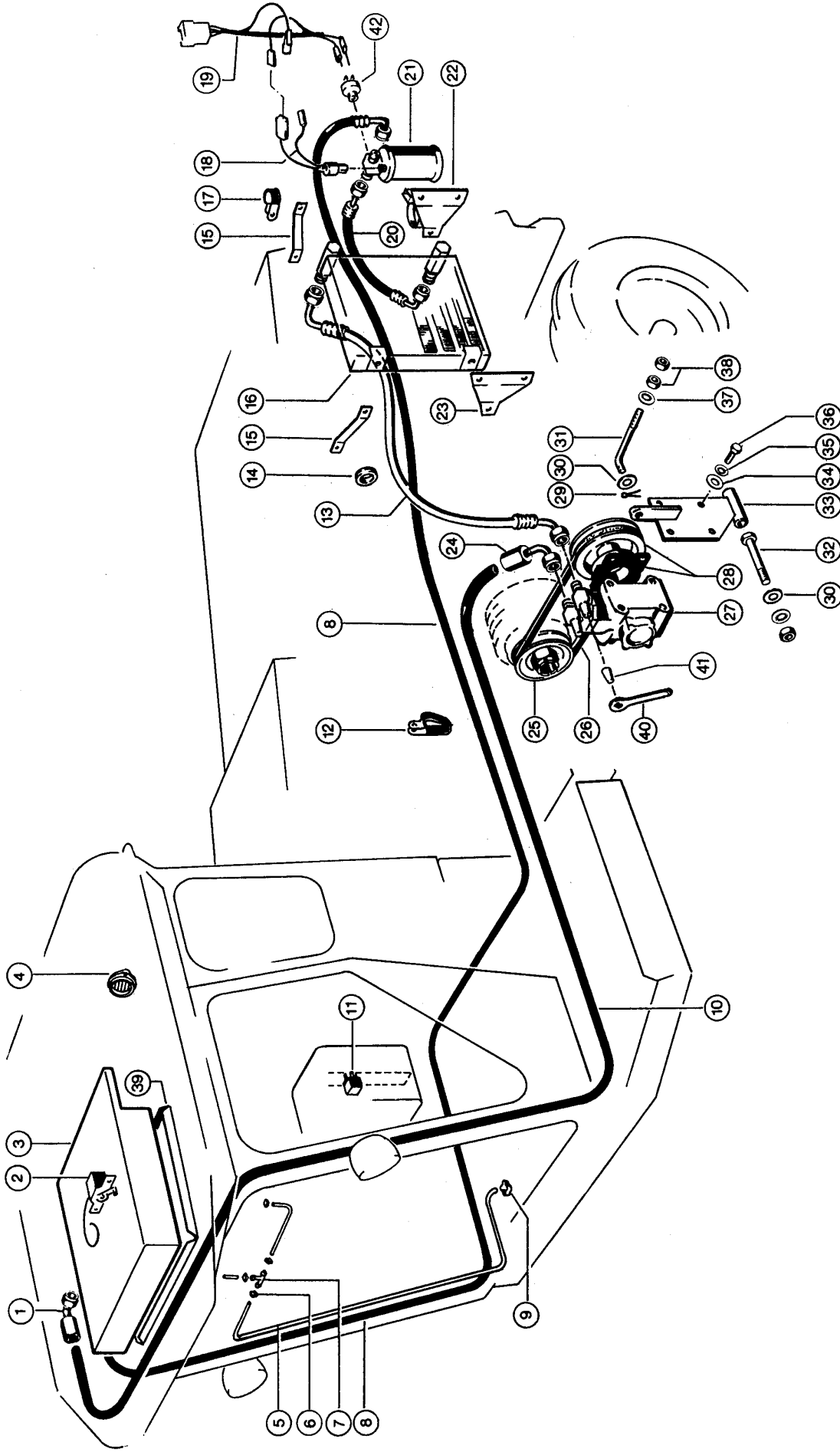
103751

CAB HEATER, VAR. 4142

| Pos. | Part No. | Description | Dimension | Quantity | Conditions |
|-----------|----------------------|-------------------|-----------------|----------|------------|
| 1 | 00 0621 113 0 | FAN+HEATER | KPH 400 | 1 | |
| 2 | 00 0201 125 2 | HOSE | A-16X3,5 | 1 | 1) |
| 3 | 00 0238 247 0 | HOLDER CLAMP | D2-23-23X15 | 10 | |
| 4 | 00 0408 554 1 | CLAMP | W.ERS.D.4085542 | 4 | 2) |
| 4 | 00 0238 267 1 | HOSE CLAMP | W.ERS.D.2382672 | 4 | 3) |
| 5 | 00 0239 498 0 | CLAMP | A1-25X20 | 7 | |
| 6 | 00 0606 172 0 | SCREW UNION | | 2 | |
| 7 | 00 0406 162 1 | BALL-TYPE TAP | 3/8"MS VERCHR. | 2 | |
| 8 | 00 0405 285 0 | DOUBLE NIPPLE | Z3/8 N8 | 1 | |
| 9 | 00 0606 239 1 | COVER PLATE | CD-1-671-01 | 1 | |
| 10 | 00 0609 147 0 | SUPPORT | 3X20X70 | 1 | 2) |
| 1) | Remarks | 7200 long | | | |
| 2) | Remarks | from No. 18200011 | | | |
| 3) | Remarks | BIS NR. 18200010 | | | |

8

CLAAS



Jaguar 675 / 680

103752

Thank you so much for reading.
Please click the “Buy Now!”
button below to download the
complete manual.



After you pay.

You can download the most
perfect and complete manual in
the world immediately.

Our support email:

ebooklibonline@outlook.com