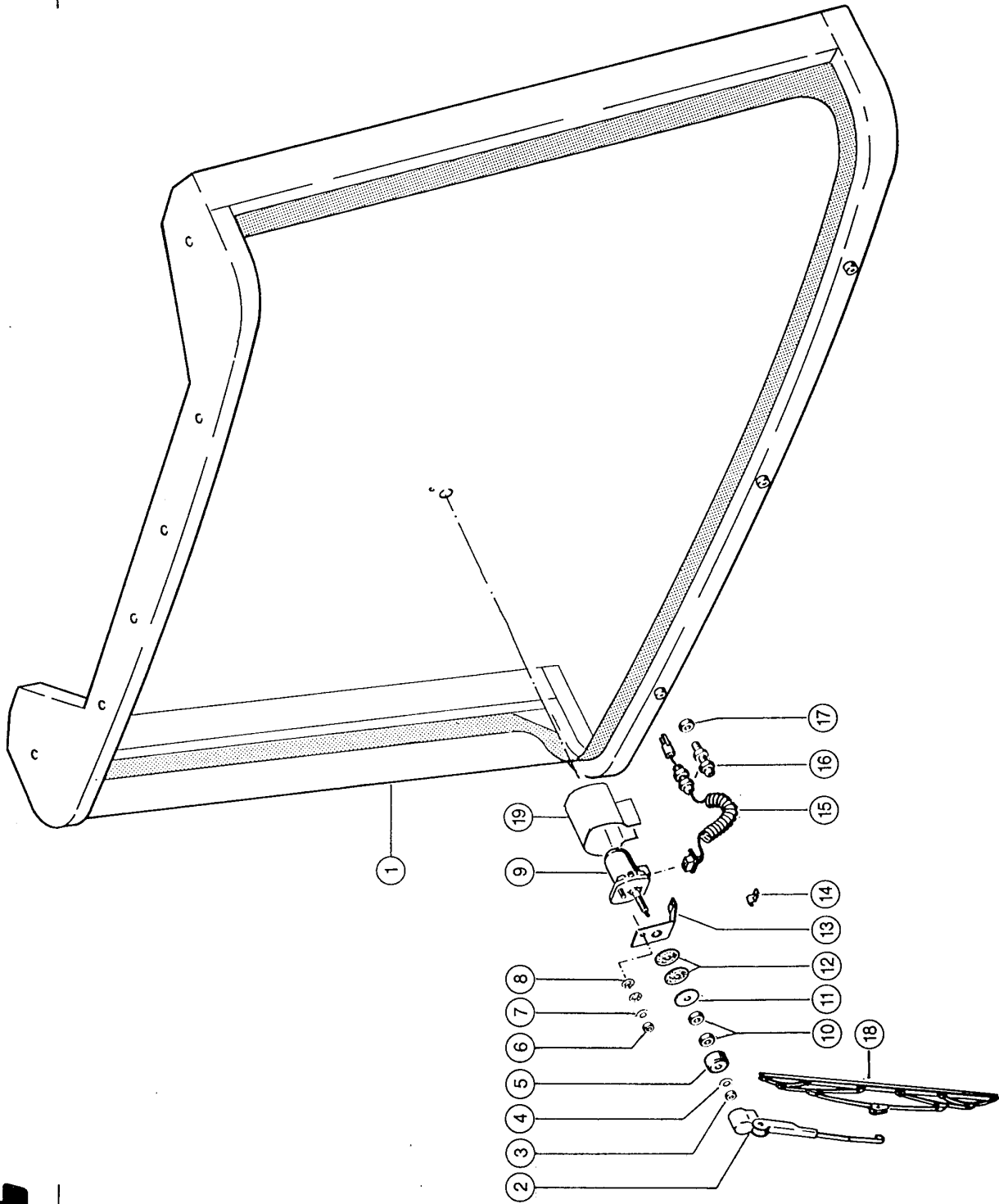


1

JAGUAR 8500c



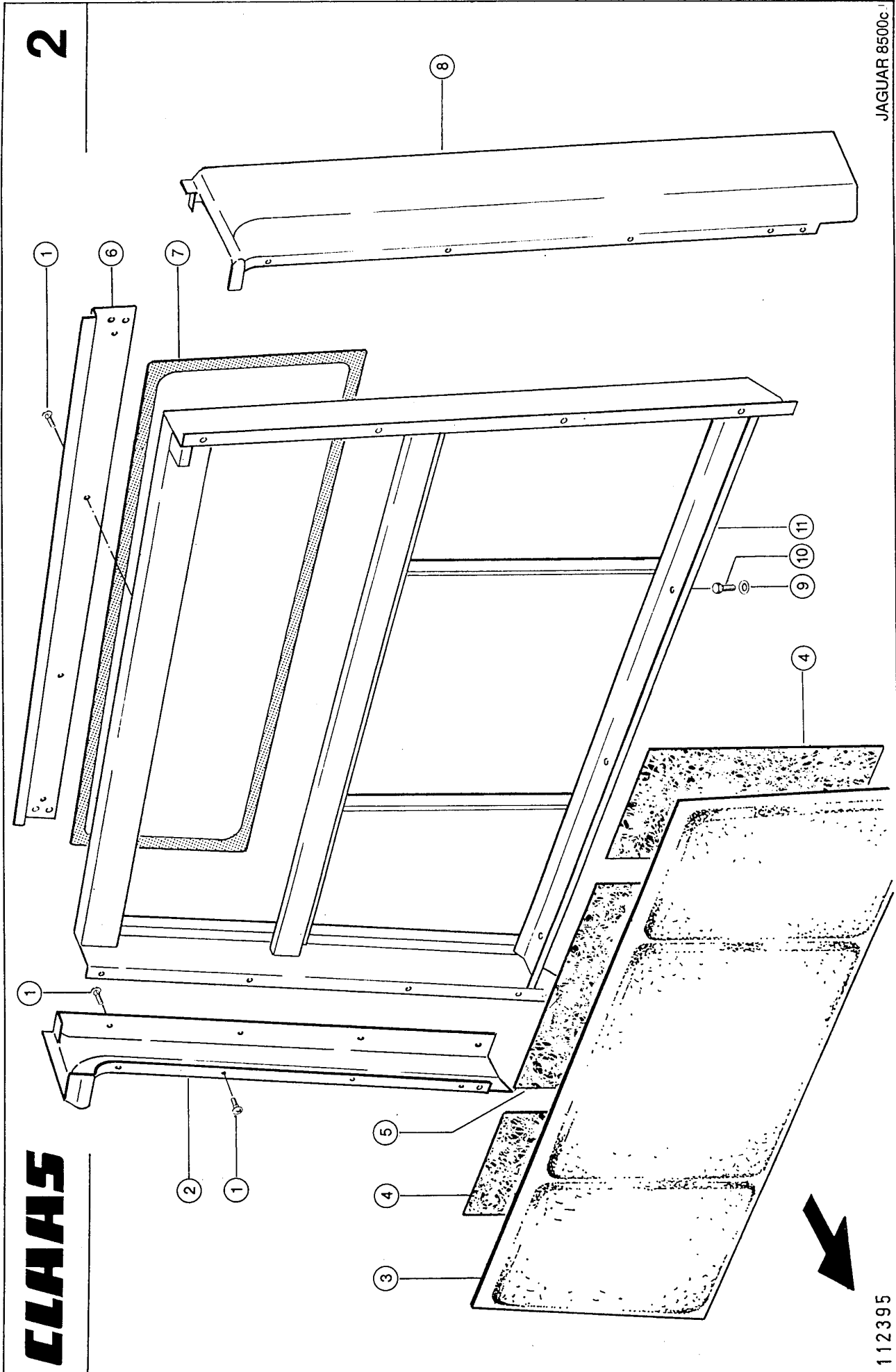
CLAAS



112394

CAB, FRONT

Pos.	Part No.	Description	Dimension	Quantity	Conditions
1	00 0625 505 0	FRONT FRAME	KPL.M.SCHEIBE	1	
2	00 0622 636 0	WIPER ARM		1	
3	00 0236 169 0	HEXAGONAL NUT	M6	1	
4	00 0215 034 0	SERRATED L.WASHER	A 6,4	1	
5	00 0622 641 0	CAP		1	
6	00 0237 216 0	HEXAGONAL NUT	M05	1	
6	00 0215 431 0	GUARD CAP	SW 8-M 5	1	
7	00 0236 910 2	FLAT WASHER	5 -5,3X10X1	1	
8	00 0622 642 0	RUBBER DISC		2	
8	00 0622 673 0	RUBBER DISC		2	
9	00 0622 634 0	WIPER MOTOR		1	
10	00 0622 640 0	HEXAGONAL NUT	M14X1	2	
11	00 0622 639 0	WASHER	14,5X50X2	1	
12	00 0622 638 0	RUBBER DISC		2	
12	00 0622 644 0	RUBBER DISC		2	
14	00 0236 400 0	ATTACHING CLAMP	1X 8-5,2	1	
15	00 0010 135 0	WIRING LOOM	SCHEIBENWISCHER	1	
16	00 0417 261 0	CABLE SCREW	PG 11 POZB	1	
17	00 0412 459 0	COUNTER NUT	PG 11	1	
18	00 0622 637 1	WIPER BLADE		1	
19	00 0625 824 0	CAP	F.WISCHERMOTOR	1	



2

JAGUAR 8500c

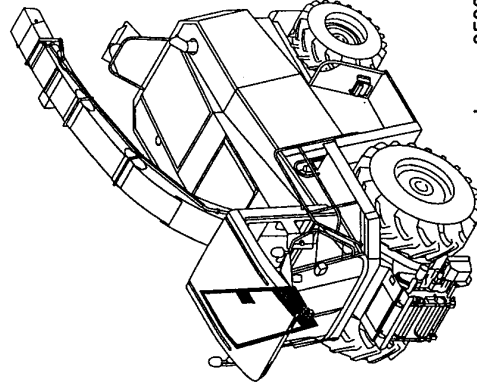
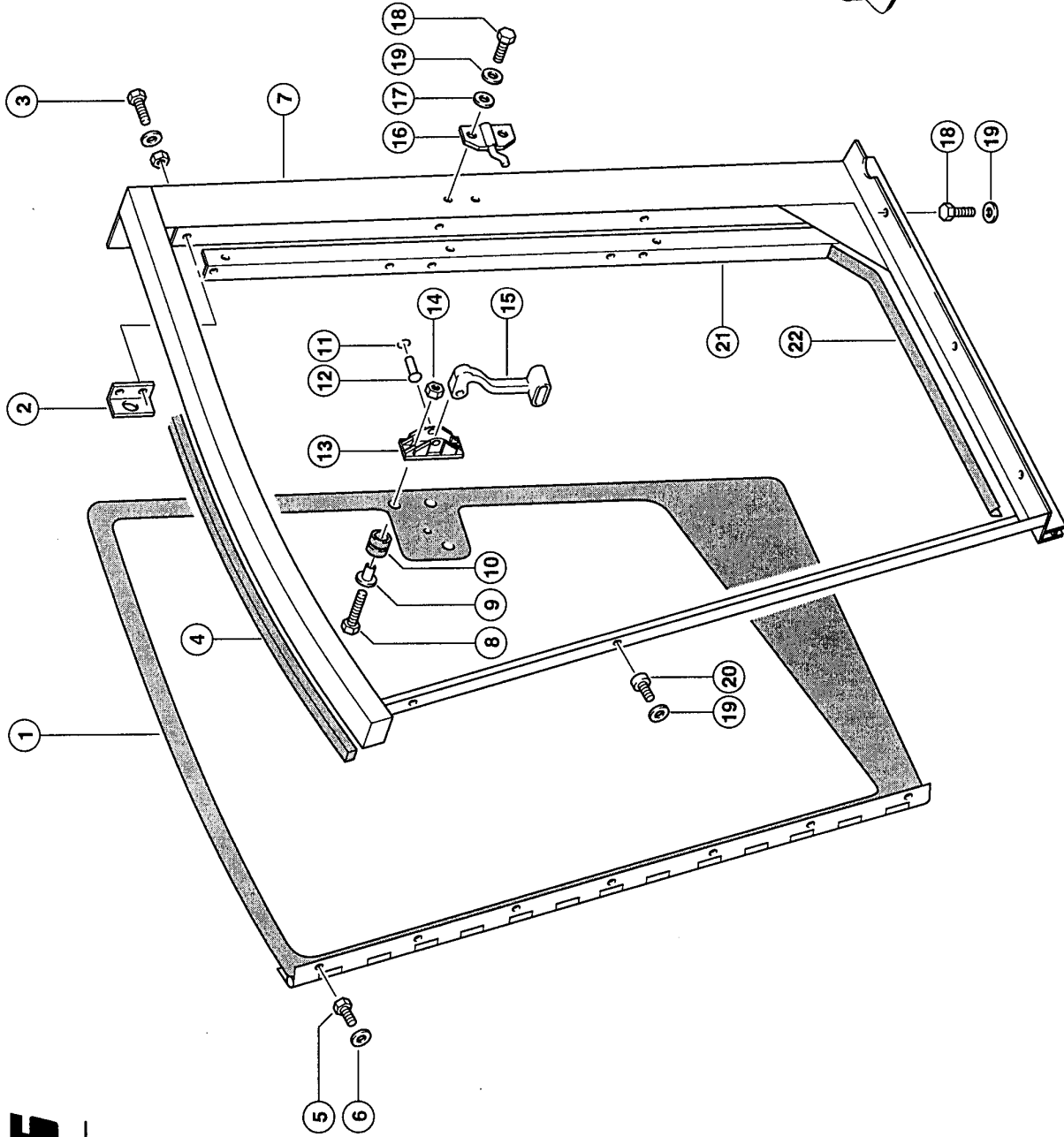
CLAAS

112395

CAB, BACK PANEL

Pos.	Part No.	Description	Dimension	Quantity	Conditions
1	00 0215 720 0	FILL HEAD SCREW	ST4,2X13-C-KFR-Z	20	
2	00 0625 572 2	COLUMN R.H.		1	
3	00 0625 609 2	COVER	50X762X1404	1	
4	00 0625 613 0	SOUND PROOFING M.	2X 330X 700	2	
5	00 0625 614 0	SOUND PROOFING M.	2X 570X 670	1	
6	00 0625 588 1	SCREEN REAR	1X140X1356	1	
7	00 0625 513 1	REAR WINDOW	RW GRUEN OE SDR	1	
8	00 0625 571 1	COLUMN L.H.		1	
9	00 0239 393 1	CONTACT WASHER	B 8 -8.2X22X1,9	4	
10	00 0236 200 0	HEXAGON HEAD BOLT	M8X20	4	
11	00 0625 601 3	REAR PANEL	S	1	
11	00 0215 587 0	PLASTIC PLUG	D 8 22,75LG	4	
11	00 0215 614 0	PVC-PLUG	D 6 18LG	1	

3A



Jaguar 8500c

CLAAS

101918

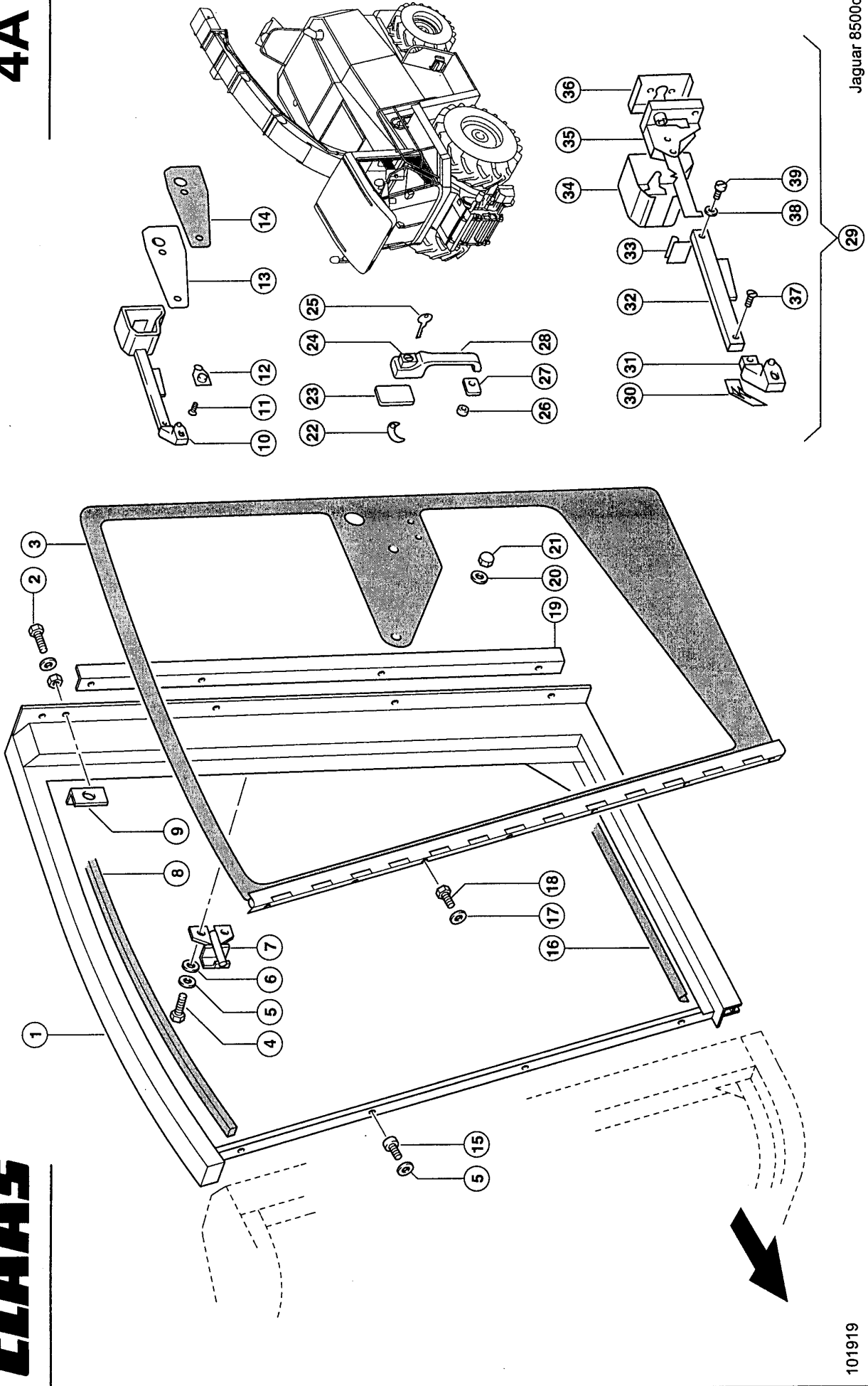
CABSIDE, RIGHT HAND WITH DOOR

Pos.	Part No.	Description	Dimension	Quantity	Conditions
1	00 0069 441 0	DOOR R.H.		1	
2	00 0625 677 0	ANGLE	40X40X4X90	1	
3	00 0236 200 0	HEXAGON HEAD BOLT	M8X20	5	
3	00 0236 170 0	HEXAGONAL NUT	M8	5	
3	00 0239 393 1	CONTACT WASHER	B 8 -8.2X22X1,9	5	
4	00 0205 593 0	PROFILE	20X30X1100	1	1)
5	00 0237 465 0	HEXAGON HEAD BOLT	M6X16	7	
6	00 0239 392 0	CONTACT WASHER	B 6 -6X18X1,4	7	
7	00 0625 653 0	SIDE WALL R.H.		1	
8	00 0237 069 0	COUNTERSUNK BOLT	M 8X 30	2	
9	00 0625 821 0	SPACER GLASS	8,5X30X17	2	
10	00 0625 820 0	GROMMET	A 14X19X5,5	2	
11	00 0236 357 0	SHIM	8,5X14X0,25	1	
12	00 0625 819 0	PIN	8X23X20,5	1	
13	00 0625 817 0	SUPPORT		1	
14	00 0236 170 0	HEXAGONAL NUT	M8	2	
15	00 0625 818 0	HANDLE		1	
16	00 0625 843 3	LOCKING PLATE		1	
17	00 0236 913 2	FLAT WASHER	10-10,5X20X2	2	
18	00 0236 200 0	HEXAGON HEAD BOLT	M8X20	5	
19	00 0239 393 1	CONTACT WASHER	B 8 -8.2X22X1,9	10	
20	00 0237 439 0	HEXAGON HEAD BOLT	M8X16	4	
20	00 0242 227 1	SOCKET HEAD SCREW	M8X16	1	
21	00 0625 902 0	ANGLE	1,5X53X1334	1	
22	00 0205 554 0	SEAL STRIP		1	2)
1)	Remarks				1100 long
2)	Remarks				4700 mm long

4A

CLAAS

JAGUAR 8500 C



101919

Jaguar 8500c

CAB, L.H. SIDE WITH DOOR

Pos.	Part No.	Description	Dimension	Quantity	Conditions
1	00 0625 652 0	SIDE WALL L.H.	S	1	
2	00 0236 200 0	HEXAGON HEAD BOLT	M8X20	5	
2	00 0236 170 0	HEXAGONAL NUT	M8	5	
2	00 0239 393 1	CONTACT WASHER	B 8 -8.2X22X1,9	5	
3	00 0069 431 0	DOOR	LINKS	1	
4	00 0236 200 0	HEXAGON HEAD BOLT	M8X20	2	
5	00 0239 393 1	CONTACT WASHER	B 8 -8.2X22X1,9	6	
6	00 0236 913 2	FLAT WASHER	10-10,5X20X2	2	
7	00 0625 823 0	LOCKING PLATE		1	
8	00 0205 593 0	PROFILE	20X30X1100	1	
9	00 0625 677 0	ANGLE	40X40X4X90	1	
10	00 0625 730 0	DOOR HANDLE		1	
11	00 0216 058 0	COUNTERSUNK BOLT	M 6X 25	4	
11	00 0216 057 0	COUNTERSUNK BOLT	M 6X 20	2	
11	00 0236 911 2	FLAT WASHER	6 -6,4X12X1,6	4	
12	00 0625 751 0	INSERT		1	
13	00 0069 434 0	MOUNTING PLATE		1	
14	00 0069 436 0	SHIM		1	
15	00 0242 227 1	SOCKET HEAD SCREW	M8X16	4	
15	00 0237 439 0	HEXAGON HEAD BOLT	M8X16	1	
16	00 0205 554 0	SEAL STRIP		1	1)
17	00 0239 392 0	CONTACT WASHER	B 6 -6X18X1,4	7	
18	00 0237 465 0	HEXAGON HEAD BOLT	M6X16	7	
19	00 0625 902 0	ANGLE	1,5X53X1334	1	
20	00 0625 753 0	RUBBER DISC		1	
21	00 0625 752 0	CAP		1	
22	00 0625 726 0	DISTANCE PLATE		1	
23	00 0625 723 0	SHIM LARGE		1	
24	00 0069 433 0	LOCK		1	
25	00 0013 142 0	MASTER KEY		1	
26	00 0625 725 0	SPACER TUBE		1	
27	00 0625 724 0	SHIM		1	
28	00 0625 814 0	HANDLE, EXTERIOR		1	
29	00 0625 730 0	DOOR HANDLE		1	
30	00 0625 740 0	COVERING		1	
31	00 0625 734 0	END PIECE		1	
32	00 0625 733 0	DOOR HANDLE		1	
33	00 0625 735 0	INSIDE COVER		1	
34	00 0625 736 0	CAP		1	
35	00 0625 731 0	LOCK		1	
36	00 0625 732 0	ADJUSTING PLATE		1	
37	00 0241 236 0	COUNTERSUNK BOLT	M 5X10	1	
38	00 0215 031 0	SERRATED L.WASHER	A 5,3	1	
39	00 0242 043 0	SOCKET HEAD SCREW	M 5X10	1	

1) Remarks

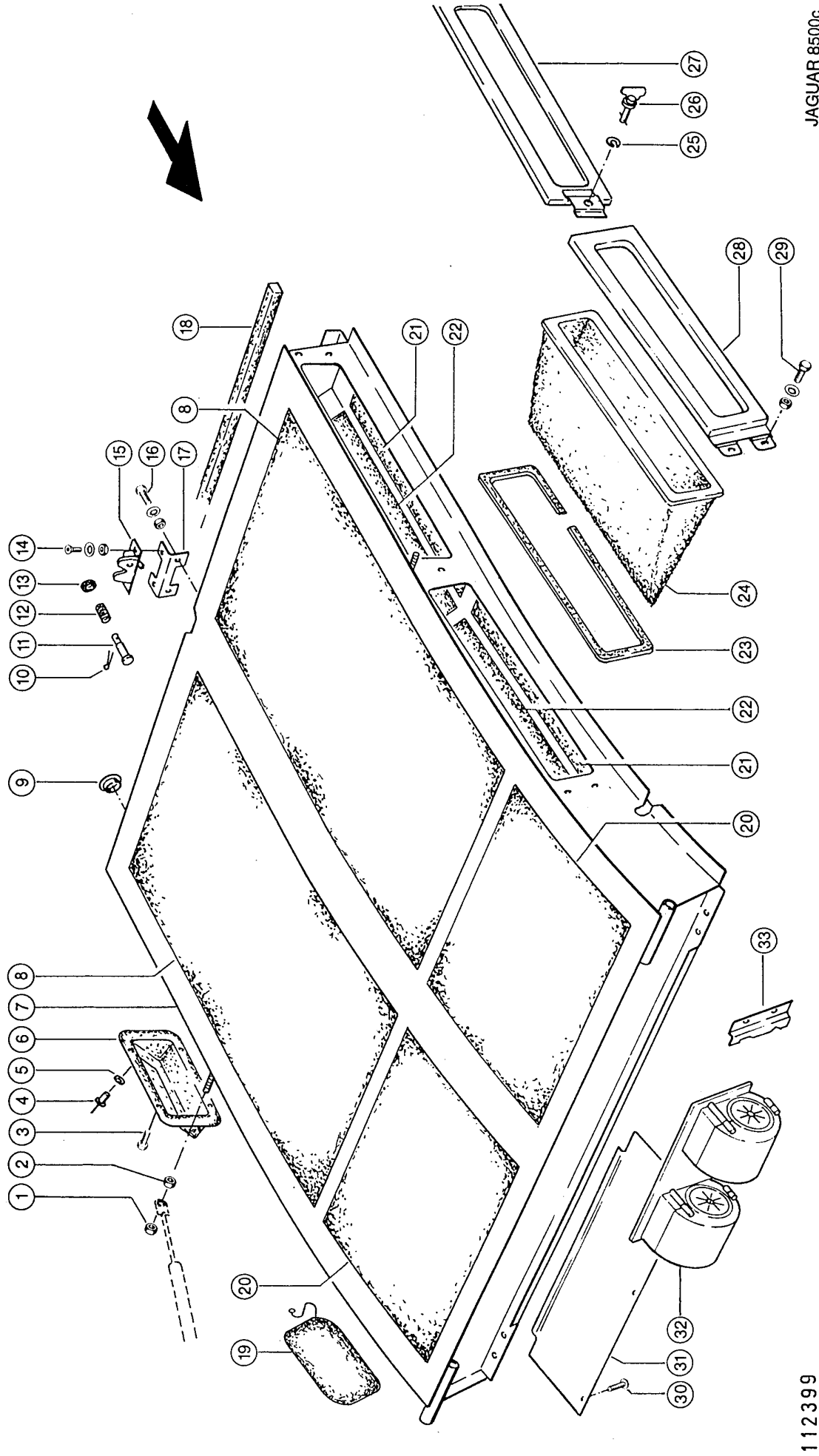
4700 mm long

CAB, ROOF

Pos.	Part No.	Description	Dimension	Quantity	Conditions
1	00 0625 544 2	ROOF HOOD		1	
2	00 0625 541 1	HOOD HOLDER		1	
3	00 0636 792 1	COACH BOLT	M6X 16	2	
3	00 0236 169 0	HEXAGONAL NUT	M6	2	
3	00 0239 392 0	CONTACT WASHER	B 6 -6X18X1,4	2	
4	00 0625 914 0	WORK LIGHT		2	
4	00 0215 738 0	NUT	ST4,2 - 3,0-4,5	4	
4	00 0238 091 0	LAMP		2	
5	00 0215 502 0	COVER CAP	27,0-33,0	2	
6	00 0215 720 0	FILL.HEAD SCREW	ST4,2X13-C-KFR-Z	4	
7	00 0625 647 0	COVER	1,5X90X174	2	
8	00 0514 757 0	STICKER	F.KABINENDACH	1	
9	00 0238 091 0	LAMP		4	
10	00 0625 719 0	HEADLIGHTS		4	
10	00 0215 738 0	NUT	ST4,2 - 3,0-4,5	8	
11	00 0625 642 0	HINGE		2	
12	00 0239 392 0	CONTACT WASHER	B 6 -6X18X1,4	4	
13	00 0237 466 0	HEXAGON HEAD BOLT	M06X20	4	
14	00 0622 781 0	GAS SPRING BEAR.		2	
15	00 0636 792 1	COACH BOLT	M6X 16	4	
15	00 0236 169 0	HEXAGONAL NUT	M6	4	
15	00 0239 392 0	CONTACT WASHER	B 6 -6X18X1,4	4	
16	00 0244 378 0	HEXAGON HEAD BOLT	M 8X25	2	
17	00 0236 170 0	HEXAGONAL NUT	M8	2	
18	00 0238 132 0	LOCK NUT	M8	2	
19	00 0618 885 0	GAS SPRING		2	
20	00 0625 643 0	GUSSET PLATE L.H.		1	
20	00 0625 644 0	GUSSET PLATE R.H.		1	
21	00 0237 466 0	HEXAGON HEAD BOLT	M06X20	4	

6

CLAAS



JAGUAR 8500C

112399

CAB, ROOF

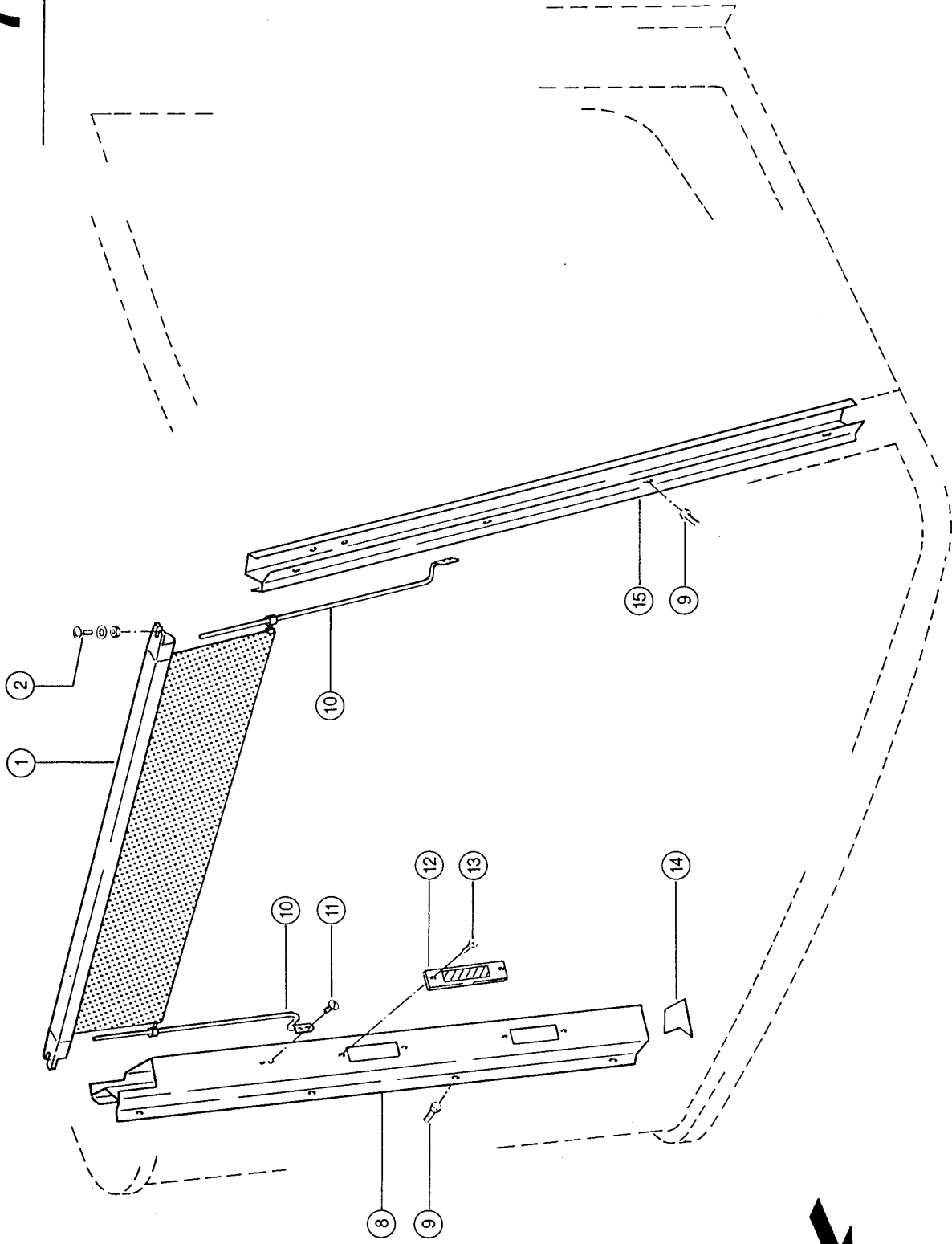
Pos.	Part No.	Description	Dimension	Quantity	Conditions
1	00 0236 170 0	HEXAGONAL NUT	M8	2	
2	00 0238 132 0	LOCK NUT	M8	2	
3	00 0242 499 1	SHEET METAL SCREW	ST4,8X 9,5-C ERS.D.24249	4	
4	00 0238 018 1	BLIND RIVET	A 4X9	3	
5	00 0236 979 1	FLAT WASHER	4 -4,3X9X0,8	3	
6	00 0625 549 0	VENTILATION		1	
7	00 0625 531 3	ROOF	GESCH.	1	
8	00 0622 747 0	INSULATION	2X530X1000	2	
9	00 0238 886 2	PLUG	D30,5-F	2	
9	00 0238 271 0	PLUG	D22,4-F	3	
9	00 0238 457 0	PLUG	D38,4-F	2	
10	00 0235 088 0	SPLIT PIN	4 X 18	1	
11	00 0625 698 1	PRESSURE PIN	D18X 50	1	
12	00 0503 693 0	COMPRESS.SPRING	1,5X14X33	1	
13	00 0623 341 0	CABLE RING	B10X14X2	1	
14	00 0237 061 0	COUNTERSUNK BOLT	M6X16	2	
14	00 0236 169 0	HEXAGONAL NUT	M6	2	
14	00 0239 392 0	CONTACT WASHER	B 6 -6X18X1,4	2	
15	00 0609 636 1	COVER LOCK	100X26	1	
16	00 0237 465 0	HEXAGON HEAD BOLT	M6X16	2	
16	00 0236 169 0	HEXAGONAL NUT	M6	2	
16	00 0239 392 0	CONTACT WASHER	B 6 -6X18X1,4	2	
17	00 0625 540 1	LOCK SUPPORT	2,5X75,8X105	1	
18	00 0205 368 0	SEALING FOAM	15X20X1985	1	1)
18	00 0201 480 0	WOOD PULP STRIP	12X4 SELBSTKLEB	1	2)
19	00 0701 740 3	INSPEC.HOLE DOOR		1	
20	00 0622 746 0	INSULATION	2X500X530	2	
21	00 0622 743 0	INSULATION	2X100X530	2	
22	00 0622 744 0	INSULATION	2X200X530	3	
23	00 0201 354 0	SEALING PROFILE	2,0-3,5	1	
24	00 0071 525 1	POCKET FILTER		2	
25	00 0601 243 0	SUPPORTING WASHER	10,8X25X0,6	1	
26	00 0601 248 0	LOCK TRUNNION		1	
27	00 0625 533 0	FILTER FRAME		1	
28	00 0625 534 0	FILTER FRAME		1	
29	00 0237 464 0	HEXAGON HEAD BOLT	M06X12	4	
29	00 0236 169 0	HEXAGONAL NUT	M6	4	
29	00 0239 392 0	CONTACT WASHER	B 6 -6X18X1,4	4	
30	00 0215 720 0	FILL.HEAD SCREW	ST4,2X13-C-KFR-Z	3	
31	00 0625 681 0	COVER	1X812X570	1	
32	00 0625 718 0	FAN		1	
33	00 0625 639 0	FAN SUPPORT		1	

1) Remarks 3400 mm long

2) Remarks 600 MM LANG

7

JAGUAR 8500c



CLAAS

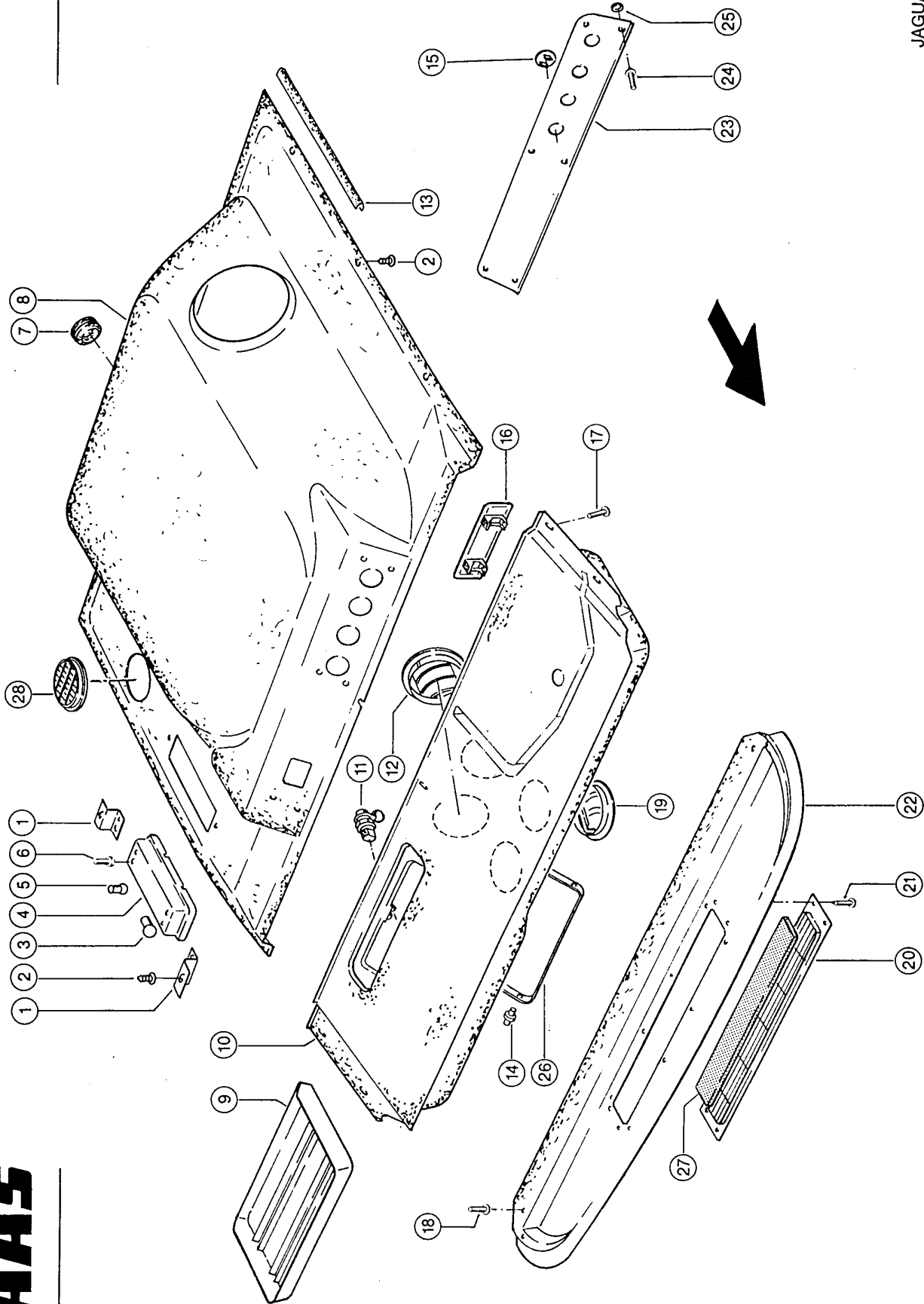
112400

CAB, ACCESSORIES

Pos.	Part No.	Description	Dimension	Quantity	Conditions
1	00 0625 595 3	ROLLER BLIND		1	
2	00 0636 792 1	COACH BOLT	M6X 16	2	
2	00 0236 169 0	HEXAGONAL NUT	M6	2	
2	00 0239 386 0	CONTACT WASHER	A 6	2	
8	00 0625 597 3	AIR GUIDE, R.H.		1	
9	00 0242 500 1	SHEET METAL SCREW	ST4,8X13-C	8	
10	00 0625 599 0	GUIDE		2	
11	00 0242 713 1	FILL HEAD SCREW	ST3,9X16-C-H	4	
12	00 0625 567 0	LOUVRE		8	
12	00 0622 770 0	LOUVRE		8	1)
13	00 0215 398 0	SHEET METAL SCREW	ST 3,5X16-C-H	16	
13	00 0215 764 0	SPRING BUSHING	D3	32	1)
14	00 0625 682 0	END PIECE	30X73X97	2	
15	00 0625 561 3	AIR GUIDE, L.H.		1	
1)	Remarks	BEI KLIMAAANLAGE			

8

JAGUAR 8500c



CLAAS

Thank you so much for reading.
Please click the “Buy Now!”
button below to download the
complete manual.



After you pay.

You can download the most
perfect and complete manual in
the world immediately.

Our support email:

ebooklibonline@outlook.com