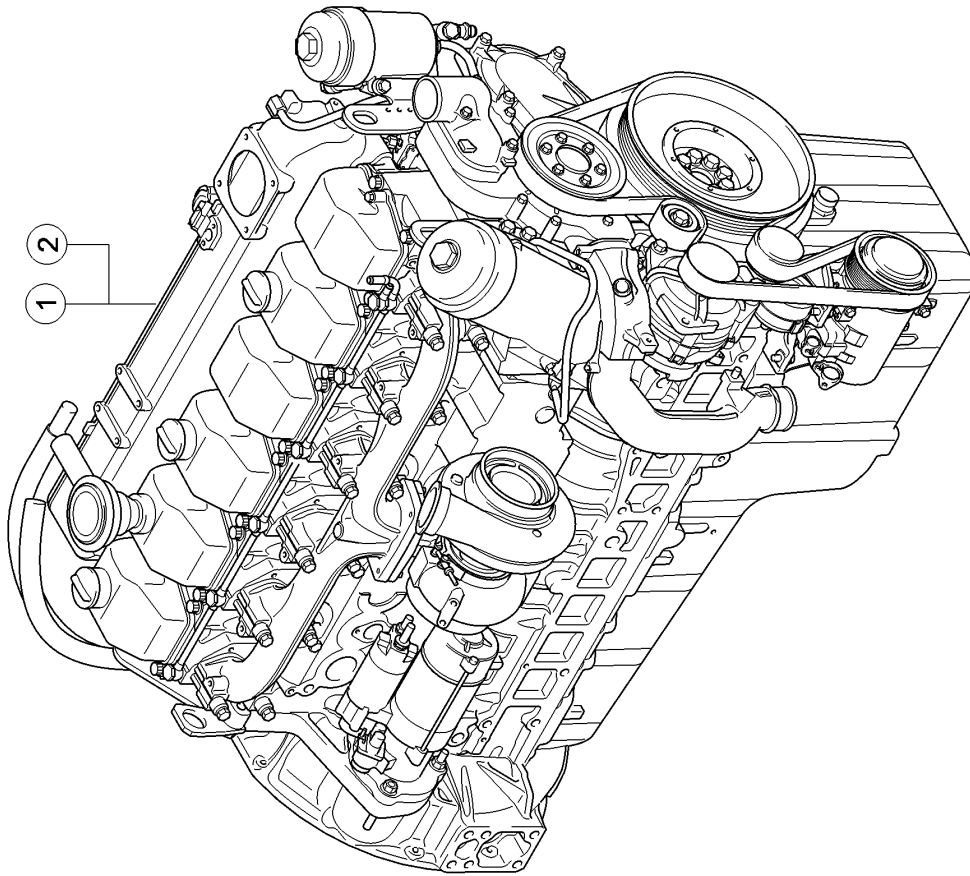


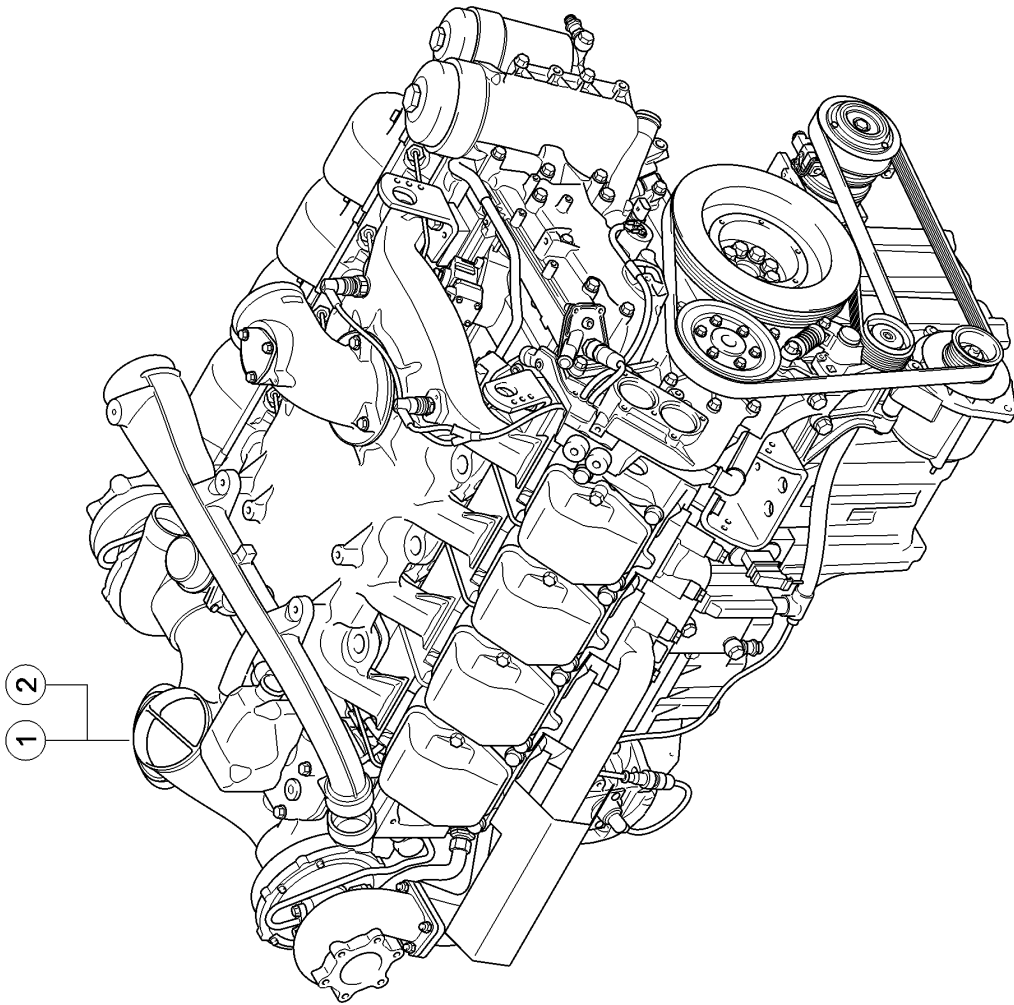
E0102 0102A010A 1



**010 COMPLETE ENGINE 1)**

Pos.	Part No.	Description	Dimension	Quantity	Conditions
1	<b>00 0142 532 0</b>	ENGINE	OM 460 LA 260KW	1	2)
1	<b>00 0142 533 0</b>	ENGINE	OM 460 LA 315KW	1	3)
1	<b>00 0142 015 0</b>	ENGINE	OM460LA 242 KW	1	2)
1	<b>00 0142 016 0</b>	ENGINE	OM460LA 295 KW	1	4)
1	<b>00 0144 245 0</b>	ENGINE	OM 460 LA 315KW SE	1	4)
2	<b>00 1992 167 0</b>	ENGINE	REMAN OM 460 LA 315KW	1	5)
2	<b>00 1993 464 0</b>	ENGINE	REMAN OM 460 LA 295KW	1	6)
2	<b>00 1992 167 0</b>	ENGINE	REMAN OM 460 LA 315KW	1	6)
<b>1) Equipment</b>					
		SH_P02_0300	OM460 EWGxxxkW/ECExxxkW		
		SH_P02_0310	OM460 EWG305kW/ECE289kW		
		SH_P02_1310	MERCEDES BENZ, S6-cyl. OM 460 LA, 303 kW/412 hp		
<b>2) Equipment</b>					
		SH_P02_0300	OM460 EWGxxxkW/ECExxxkW		
<b>3) Equipment</b>					
		SH_P02_1310	MERCEDES BENZ, S6-cyl. OM 460 LA, 303 kW/412 hp		
<b>4) Equipment</b>					
		SH_P02_0310	OM460 EWG305kW/ECE289kW		
<b>5) Equipment</b>					
		SH_P02_1310	MERCEDES BENZ, S6-cyl. OM 460 LA, 303 kW/412 hp		
	<b>Remarks</b>		Exchange / Reman		
<b>6) Equipment</b>					
		SH_P02_0310	OM460 EWG305kW/ECE289kW		
	<b>Remarks</b>		Exchange / Reman		

E0102 0102A010B 1



**010 COMPLETE ENGINE 1)**

Pos.	Part No.	Description	Dimension	Quantity	Conditions
1	<b>00 0142 530 1</b>	ENGINE	OM 502 LA 350KW	1	2)
1	<b>00 0142 492 1</b>	ENGINE	OM 502 LA 390KW	1	3)
1	<b>00 0142 014 1</b>	ENGINE	OM 502 LA 480KW	1	4)
1	<b>00 0142 530 1</b>	ENGINE	OM 502 LA 350KW	1	5)
1	<b>00 0144 246 0</b>	ENGINE	OM 502 LA 350KW SE	1	5)
1	<b>00 0144 247 0</b>	ENGINE	OM 502 LA 390KW SE	1	6)
1	<b>00 0144 244 0</b>	ENGINE	OM 502 LA 480KW SE	1	7)
2	<b>00 1992 160 0</b>	ENGINE	REMAN OM 502 LA 350KW	1	8)
2	<b>00 1992 162 0</b>	ENGINE	REMAN OM 502LA 390KW ONL	1	9)
2	<b>00 1992 157 0</b>	ENGINE	REMAN OM 502 LA 480KW	1	10)
2	<b>00 1992 160 0</b>	ENGINE	REMAN OM 502 LA 350KW	1	11)
2	<b>00 1992 162 0</b>	ENGINE	REMAN OM 502LA 390KW ONL	1	12)
2	<b>00 1992 157 0</b>	ENGINE	REMAN OM 502 LA 480KW	1	13)

**1) Equipment**

SH_P02_0320	OM502 EWG340kW/ECE318kW
SH_P02_0330	OM502 EWG380kW/ECE358kW
SH_P02_0340	OM502 EWG470kW/ECE443kW
SH_P02_1320	MERCEDES BENZ, V8-cyl. OM 502 LA
SH_P02_1330	MERCEDES BENZ, V8-cyl., OM 502 LA
SH_P02_1340	MERCEDES BENZ, V8-cyl. OM 502 LA

**2) Equipment**

SH_P02_1320	MERCEDES BENZ, V8-cyl. OM 502 LA
-------------	----------------------------------

**3) Equipment**

SH_P02_1330	MERCEDES BENZ, V8-cyl., OM 502 LA
-------------	-----------------------------------

**4) Equipment**

SH_P02_1340	MERCEDES BENZ, V8-cyl. OM 502 LA
-------------	----------------------------------

**5) Equipment**

SH_P02_0320	OM502 EWG340kW/ECE318kW
-------------	-------------------------

**6) Equipment**

SH_P02_0330	OM502 EWG380kW/ECE358kW
-------------	-------------------------

**7) Equipment**

SH_P02_0340	OM502 EWG470kW/ECE443kW
-------------	-------------------------

**8) Equipment****Remarks**

SH_P02_1320	MERCEDES BENZ, V8-cyl. OM 502 LA Exchange / Reman
-------------	--

**9) Equipment****Remarks**

SH_P02_1330	MERCEDES BENZ, V8-cyl., OM 502 LA Exchange / Reman
-------------	---

**10) Equipment****Remarks**

SH_P02_1340	MERCEDES BENZ, V8-cyl. OM 502 LA Exchange / Reman
-------------	--

**11) Equipment****Remarks**

SH_P02_0320	OM502 EWG340kW/ECE318kW Exchange / Reman
-------------	---

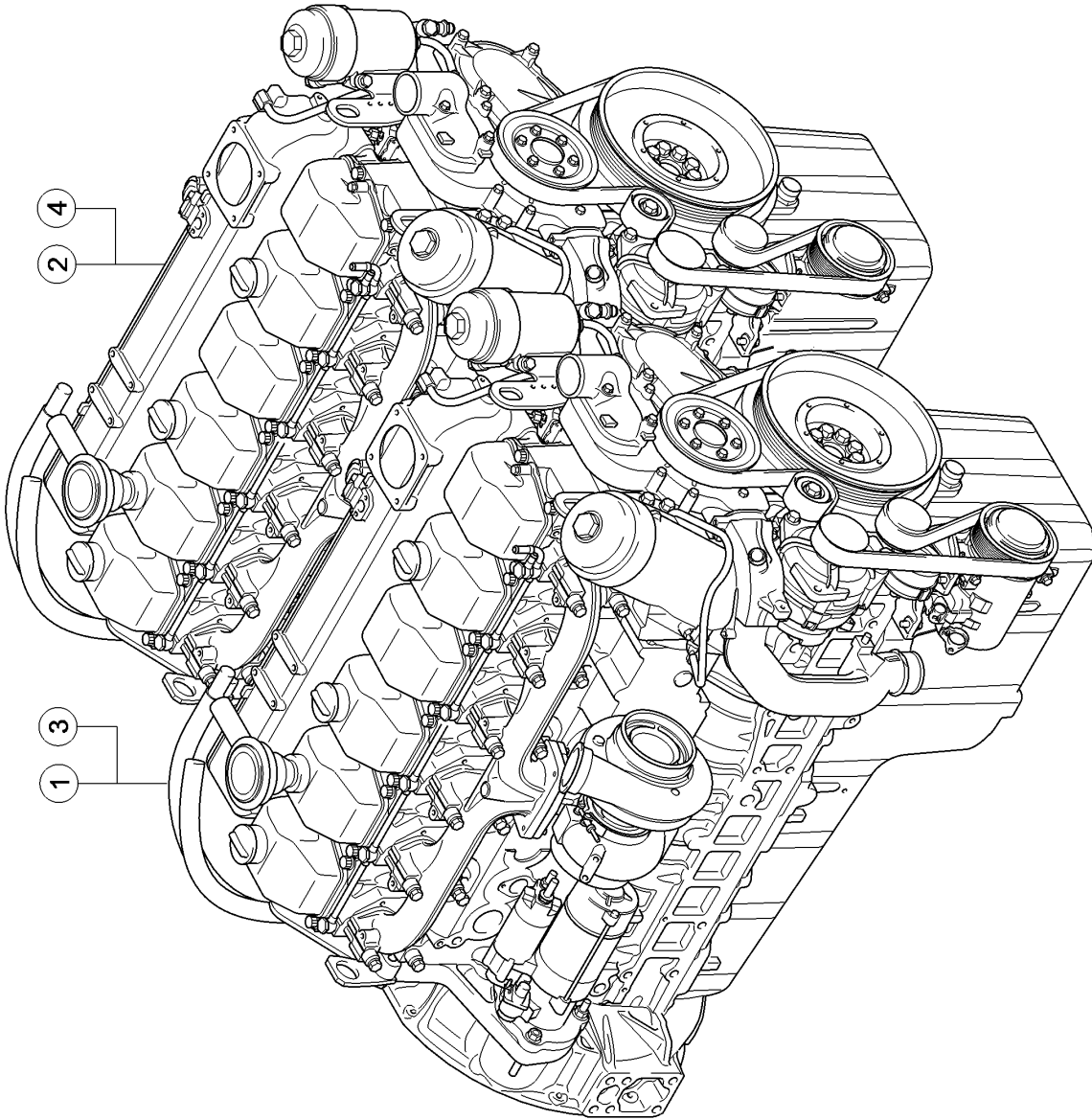
**12) Equipment****Remarks**

SH_P02_0330	OM502 EWG380kW/ECE358kW Exchange / Reman
-------------	---

**13) Equipment****Remarks**

SH_P02_0340	OM502 EWG470kW/ECE443kW Exchange / Reman
-------------	---

E0102 0102A010C 1

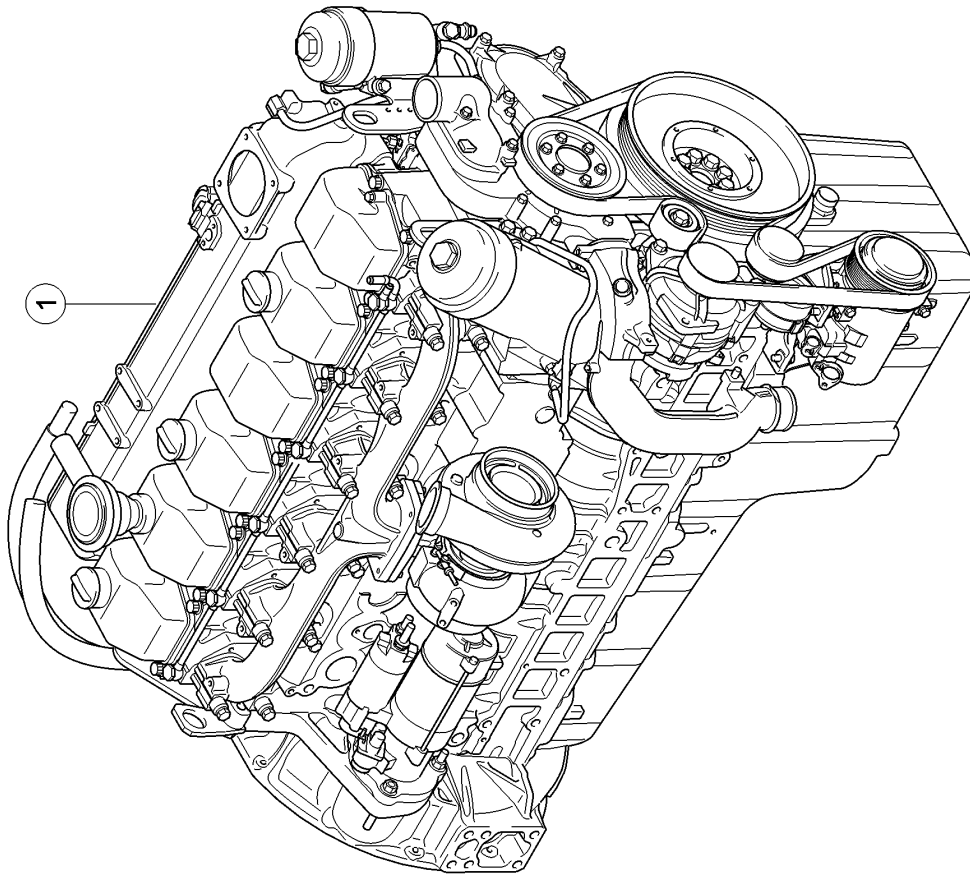


**010 COMPLETE ENGINE 1)**

Pos.	Part No.	Description	Dimension	Quantity	Conditions
1	<b>00 0142 493 0</b>	ENGINE	OM460LA 295 KW	1	2)
1	<b>00 0142 490 1</b>	ENGINE	OM460LA 315 KW	1	3)
1	<b>00 0144 249 0</b>	ENGINE	OM 460 LA 295KW SE	1	4)
1	<b>00 0144 251 0</b>	ENGINE	OM 460 LA 315KW SE	1	5)
2	<b>00 0142 494 0</b>	ENGINE	OM460LA 260 KW	1	2)
2	<b>00 0142 491 0</b>	ENGINE	OM460LA 315 KW	1	3)
2	<b>00 0144 248 0</b>	ENGINE	OM 460 LA 260KW SE	1	4)
2	<b>00 0144 250 0</b>	ENGINE	OM 460 LA 315KW SE	1	5)
3	<b>00 1992 172 0</b>	ENGINE	REMAN OM 460 LA 295KW	1	6)
3	<b>00 1992 167 0</b>	ENGINE	REMAN OM 460 LA 315KW	1	7)
3	<b>00 1992 172 0</b>	ENGINE	REMAN OM 460 LA 295KW	1	8)
3	<b>00 1992 167 0</b>	ENGINE	REMAN OM 460 LA 315KW	1	9)
4	<b>00 1992 154 0</b>	ENGINE	REMAN OM 460 LA 260KW T3	1	6)
4	<b>00 1992 168 0</b>	ENGINE	REMAN OM 460LA 315KW ONL	1	7)
4	<b>00 1992 154 0</b>	ENGINE	REMAN OM 460 LA 260KW T3	1	8)
4	<b>00 1992 168 0</b>	ENGINE	REMAN OM 460LA 315KW ONL	1	9)

<b>1)</b>	<b>Equipment</b>	SH_P02_0350 SH_P02_0360 SH_P02_1350 SH_P02_1360	2xOM460 EWG535kW/ECE515kW 2xOM460 EWG610kW/ECE581kW MERCEDES BENZ, 2 x S6-cyl. OM 460 LA MERCEDES BENZ, 2 x S6-cyl. OM 460 LA
<b>2)</b>	<b>Equipment</b>	SH_P02_1350	MERCEDES BENZ, 2 x S6-cyl. OM 460 LA
<b>3)</b>	<b>Equipment</b>	SH_P02_1360	MERCEDES BENZ, 2 x S6-cyl. OM 460 LA
<b>4)</b>	<b>Equipment</b>	SH_P02_0350	2xOM460 EWG535kW/ECE515kW
<b>5)</b>	<b>Equipment</b>	SH_P02_0360	2xOM460 EWG610kW/ECE581kW
<b>6)</b>	<b>Equipment</b> <b>Remarks</b>	SH_P02_1350	MERCEDES BENZ, 2 x S6-cyl. OM 460 LA Exchange / Reman
<b>7)</b>	<b>Equipment</b> <b>Remarks</b>	SH_P02_1360	MERCEDES BENZ, 2 x S6-cyl. OM 460 LA Exchange / Reman
<b>8)</b>	<b>Equipment</b> <b>Remarks</b>	SH_P02_0350	2xOM460 EWG535kW/ECE515kW Exchange / Reman
<b>9)</b>	<b>Equipment</b> <b>Remarks</b>	SH_P02_0360	2xOM460 EWG610kW/ECE581kW Exchange / Reman

E0102 0102A010D 1

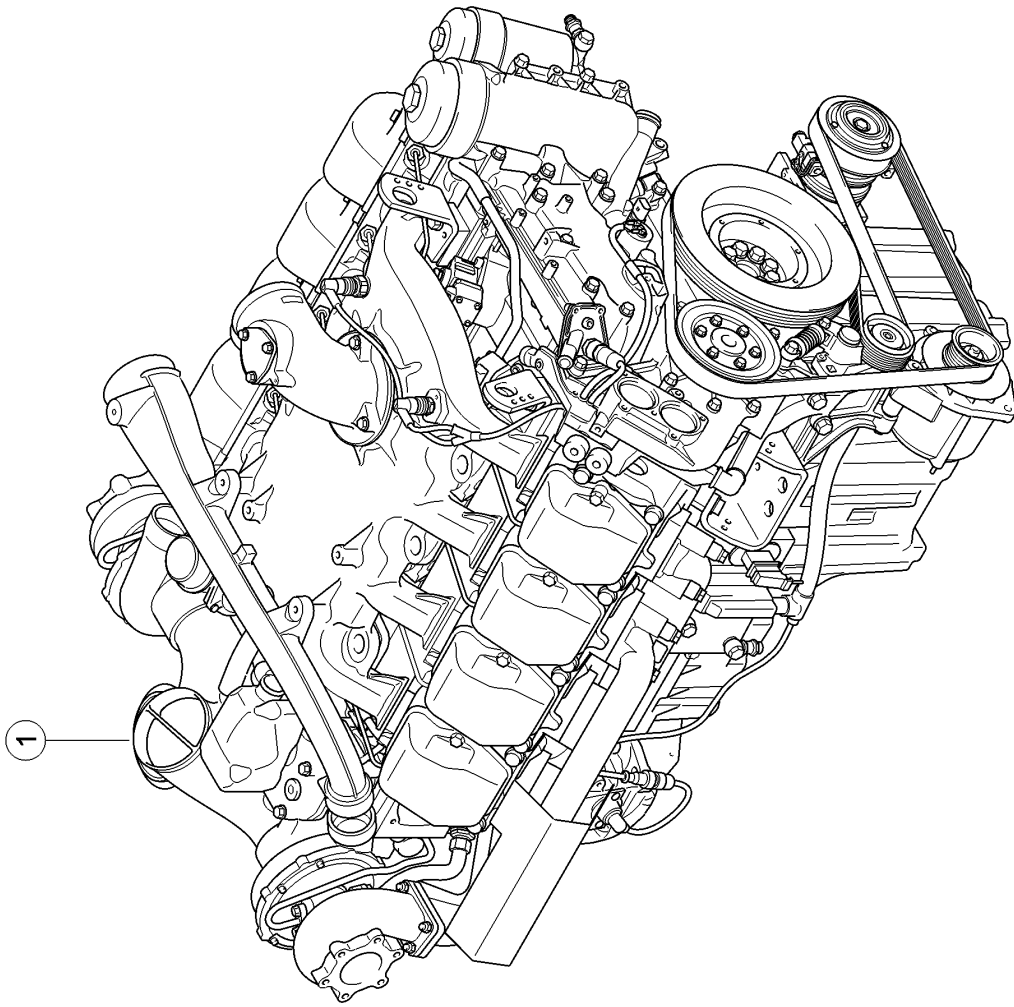


**010 COMPLETE ENGINE 1)**

Pos.	Part No.	Description	Dimension	Quantity	Conditions
1	<b>00 0144 017 1</b>	ENGINE	OM460LA T4I 295 KW	1	2)
1	<b>00 0144 016 1</b>	ENGINE	OM460LA T4I 335 KW	1	3)
<b>1)</b>	<b>Equipment</b>				
		SH_P02_0420	MB S6-cyl. OM 460 LA. 295 kW/400 hp, ECE R 120		
		SH_P02_0430	MB S6-cyl. OM 460 LA, 335 kW/455 hp, ECE R 120		
<b>2)</b>	<b>Equipment</b>				
		SH_P02_0420	MB S6-cyl. OM 460 LA. 295 kW/400 hp, ECE R 120		
<b>3)</b>	<b>Equipment</b>				
		SH_P02_0430	MB S6-cyl. OM 460 LA, 335 kW/455 hp, ECE R 120		

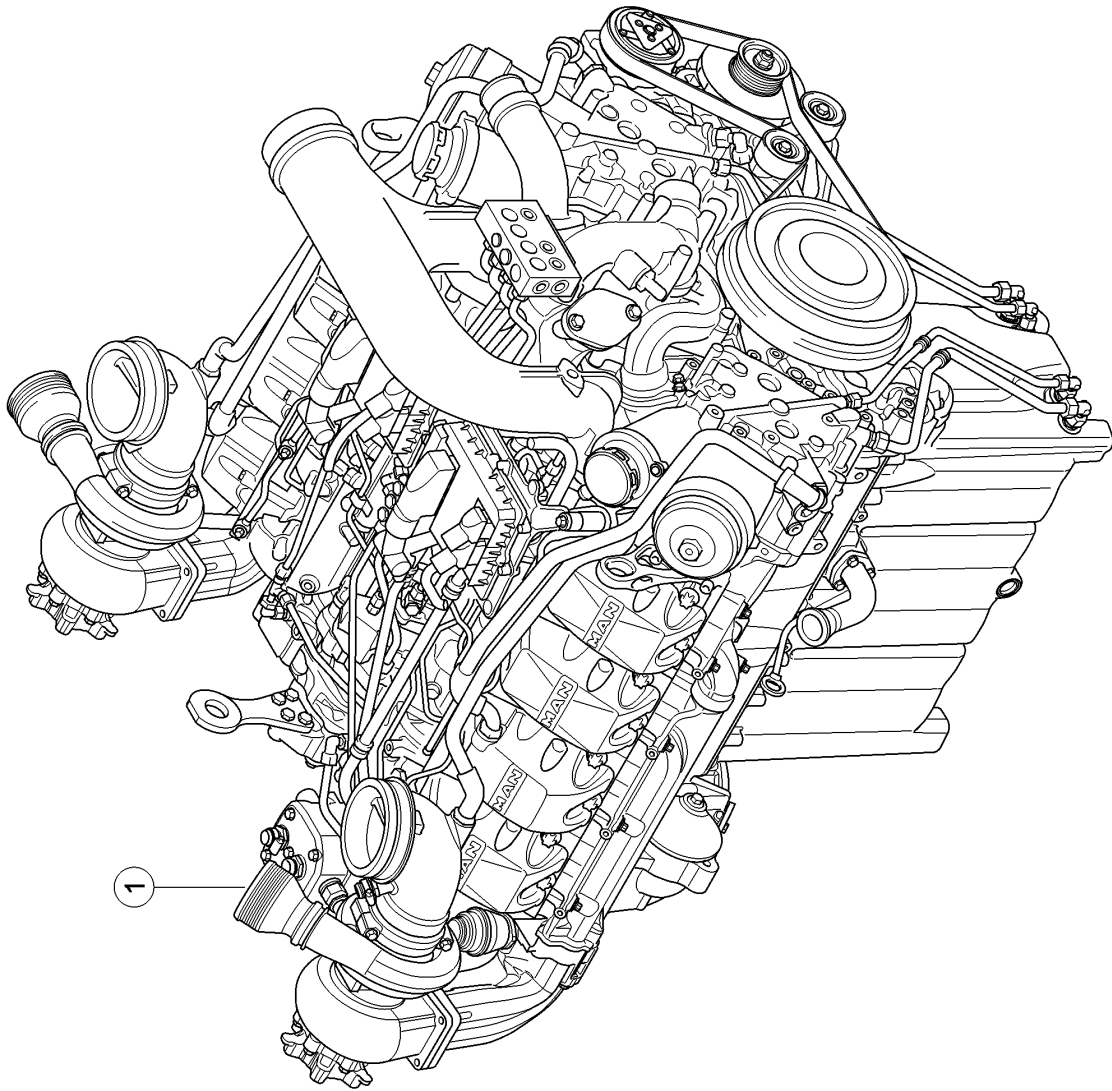


E0102 0102A010E 1



**010 COMPLETE ENGINE 1)**

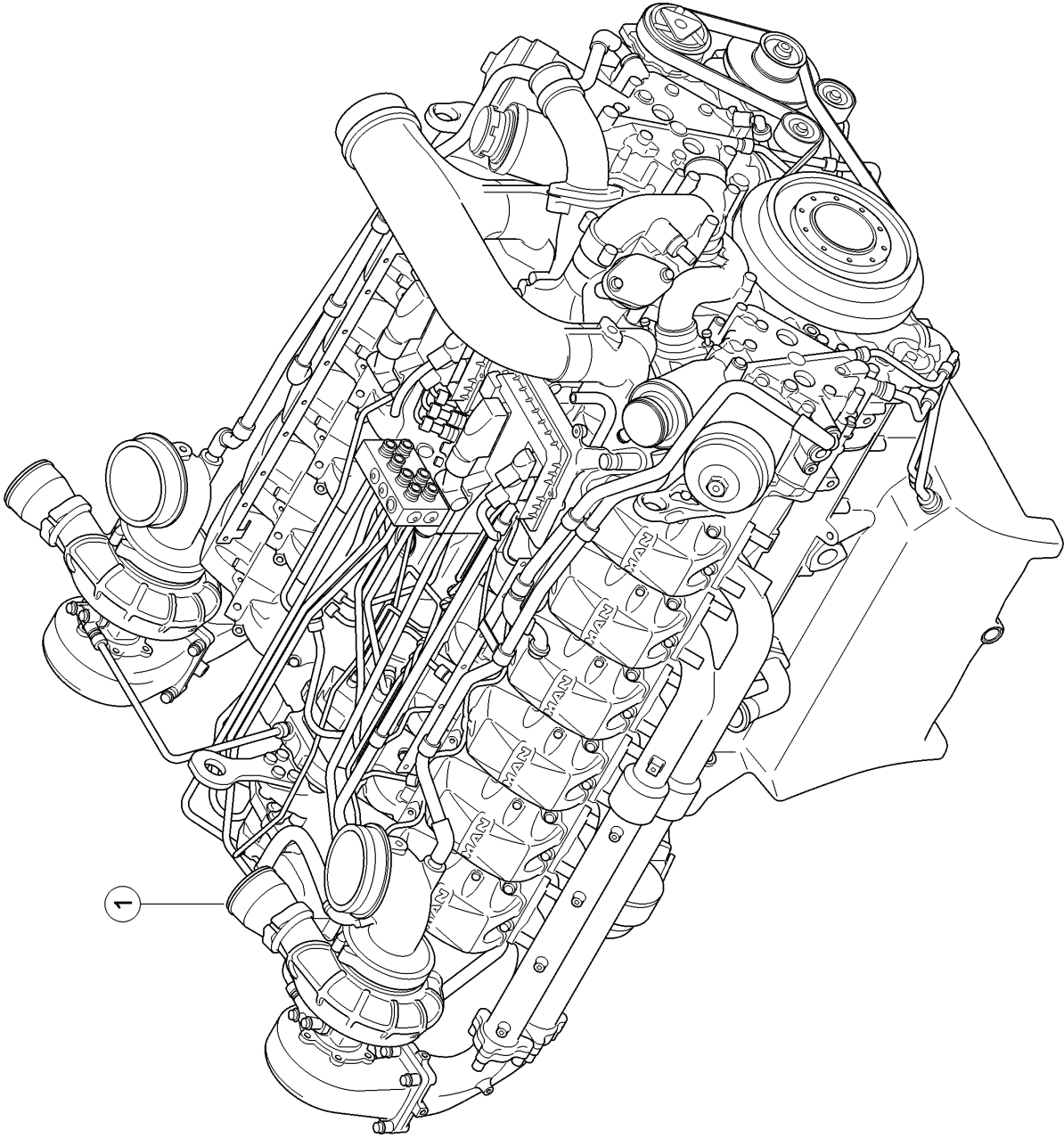
Pos.	Part No.	Description	Dimension	Quantity	Conditions
1	<b>00 0144 007 1</b>	ENGINE	OM502LA T4I 375KW	1	2)
1	<b>00 0144 014 1</b>	ENGINE	OM502LA T4I 440KW	1	3)
1	<b>00 0144 013 1</b>	ENGINE	OM502LA T4I 480KW	1	4)
<b>1)</b>	<b>Equipment</b>				
		SH_P02_0440	MB V8-cyl. OM 502 LA, 375 kW/510 hp, ECE R 120		
		SH_P02_0450	MB V8-cyl. OM 502 LA, 440 kW/598 hp, ECE R 120		
		SH_P02_0460	MB V8-cyl. OM 502 LA, 480 kW/653 hp at 1800 rpm, ECE R 120		
<b>2)</b>	<b>Equipment</b>				
		SH_P02_0440	MB V8-cyl. OM 502 LA, 375 kW/510 hp, ECE R 120		
<b>3)</b>	<b>Equipment</b>				
		SH_P02_0450	MB V8-cyl. OM 502 LA, 440 kW/598 hp, ECE R 120		
<b>4)</b>	<b>Equipment</b>				
		SH_P02_0460	MB V8-cyl. OM 502 LA, 480 kW/653 hp at 1800 rpm, ECE R 120		



**010 COMPLETE ENGINE 1)**

Pos.	Part No.	Description	Dimension	Quantity	Conditions
1	<b>00 0144 012 2</b>	ENGINE	V8 570KW	1	2)
1	<b>00 1984 508 0</b>	ENGINE	REMAN NOT US 570KW D2868	1	3)
1	<b>00 0130 781 1</b>	ENGINE	V8 570KW EPA	1	4)
<b>1)</b>	<b>Equipment</b>	SH_P02_0470 SH_P02_0471	MAN V8-cyl. D2868, 570 kW/775 hp at 1800 rpm, ECE R 120 D28 V8 R120 570 KW/775 hp EPA		
<b>2)</b>	<b>Equipment</b>	SH_P02_0470	MAN V8-cyl. D2868, 570 kW/775 hp at 1800 rpm, ECE R 120		
<b>3)</b>	<b>Equipment</b> <b>Remarks</b>	SH_P02_0470	MAN V8-cyl. D2868, 570 kW/775 hp at 1800 rpm, ECE R 120 Exchange / Reman; not for US		
<b>4)</b>	<b>Equipment</b>	SH_P02_0471	D28 V8 R120 570 KW/775 hp EPA		

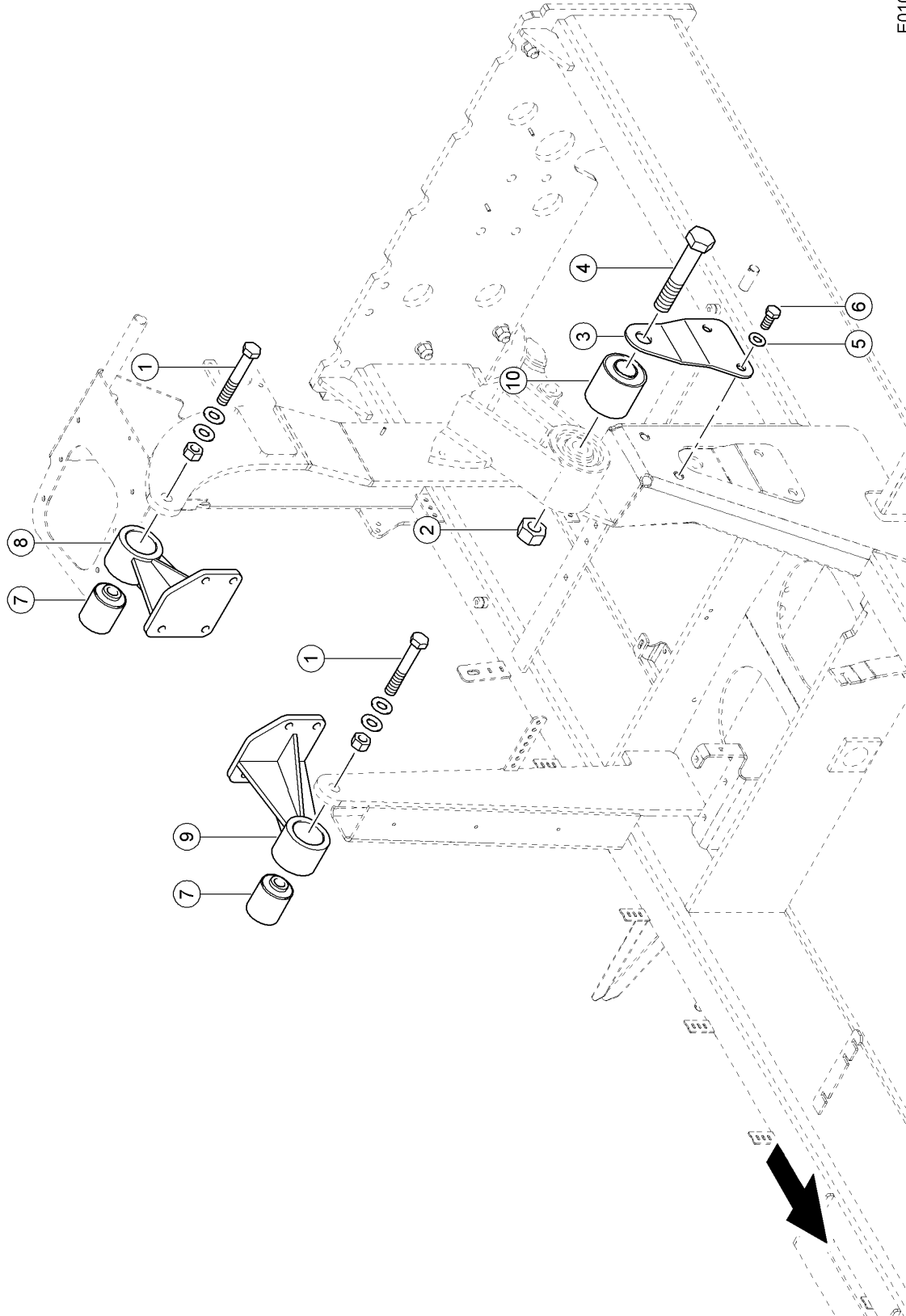
E0211 0102A010G 1



**010 COMPLETE ENGINE 1)**

Pos.	Part No.	Description	Dimension	Quantity	Conditions
1	<b>00 0144 011 2</b>	ENGINE	V12 650KW	1	2)
1	<b>00 1984 512 0</b>	ENGINE	REMAN NOT US 650KW D2862	1	3)
1	<b>00 0130 780 1</b>	ENGINE	V12 650KW EPA	1	4)
<b>1)</b>	<b>Equipment</b>	SH_P02_0480 SH_P02_0481	MAN V12-cyl. D2862, 650 kW/884 hp at 1800 rpm, ECE R 120 D28 V12 R120 650KW/ EPA		
<b>2)</b>	<b>Equipment</b>	SH_P02_0480	MAN V12-cyl. D2862, 650 kW/884 hp at 1800 rpm, ECE R 120		
<b>3)</b>	<b>Equipment</b> <b>Remarks</b>	SH_P02_0480	MAN V12-cyl. D2862, 650 kW/884 hp at 1800 rpm, ECE R 120 Exchange / Reman; not for US		
<b>4)</b>	<b>Equipment</b>	SH_P02_0481	D28 V12 R120 650KW/ EPA		

E0102 0105A100A 0001



Thank you so much for reading.  
Please click the “Buy Now!”  
button below to download the  
complete manual.



After you pay.

You can download the most  
perfect and complete manual in  
the world immediately.

Our support email:

[ebooklibonline@outlook.com](mailto:ebooklibonline@outlook.com)