

010 COMPLETE ENGINE 1)

Pos.	Part No.	Description	Dimension	Quantity	Conditions
1	00 2402 556 0	ENGINE	OM502LA T3 350KW SE	1	2)
1	00 2402 557 0	ENGINE	OM502LA T3 390KW SE	1	3)
1	00 2402 558 0	ENGINE	OM502LA T3 480KW SE	1	4)
1	00 0126 563 1	ENGINE	OM502LA T3 350KW	1	2)
1	00 2664 561 0	ENGINE	OM502LA T3 350KW SE	1	2)
1	00 0126 566 1	ENGINE	OM502LA T3 480KW	1	4)
1	00 2664 513 0	ENGINE	OM502LA T3 480KW SE	1	4)

1) Equipment

SH_P02_0525	OM502, ECE R120, 350 kW/476 hp, Stage IIIA/Tier 3
SH_P02_0530	OM502 ECE R120 390 KW/530 hp, Stage IIIA/Tier 3
SH_P02_0540	OM502 ECE R120 480 KW/653 hp, Stage IIIA/Tier 3

2) Equipment

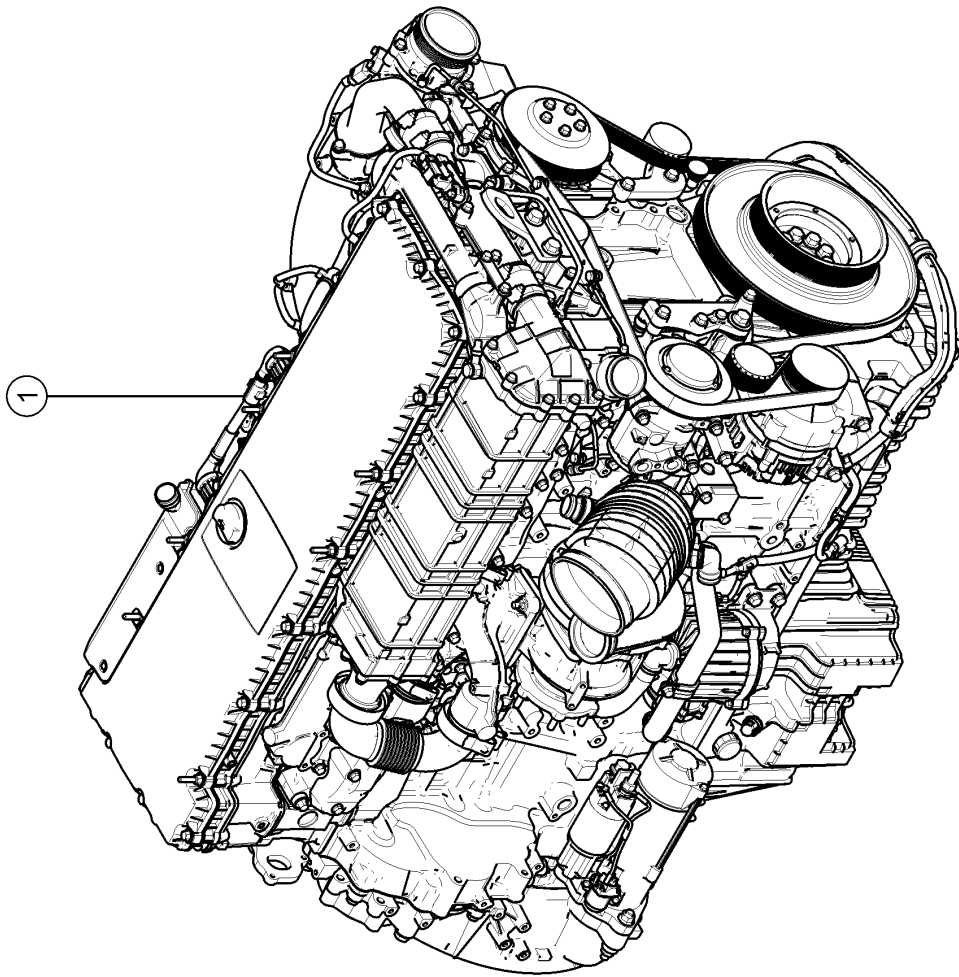
SH_P02_0525	OM502, ECE R120, 350 kW/476 hp, Stage IIIA/Tier 3
-------------	---

3) Equipment

SH_P02_0530	OM502 ECE R120 390 KW/530 hp, Stage IIIA/Tier 3
-------------	---

4) Equipment

SH_P02_0540	OM502 ECE R120 480 KW/653 hp, Stage IIIA/Tier 3
-------------	---



010 COMPLETE ENGINE 1)

Pos.	Part No.	Description	Dimension	Quantity	Conditions
1	00 0123 720 4	ENGINE	OM471LA 340KW TIER4F	1	2)
1	00 0123 708 4	ENGINE	OM471LA 380KW TIER4F	1	3)
1	00 2642 518 0	ENGINE	OM471LA - 340KW E4 SE	1	4)
1	00 2642 519 0	ENGINE	OM471LA - 380KW E4 SE	1	5)
1	00 2402 551 1	ENGINE	OM471 K2 340KW E5 JAGUAR	1	6)
1	00 2402 552 1	ENGINE	OM471 K2 390KW E5 JAGUAR	1	7)
1	00 2694 192 0	ENGINE	OM471LA - 340KW T4	1	2)
1	00 2694 193 0	ENGINE	OM471LA - 380KW T4	1	3)
1	00 2712 267 0	ENGINE	OM471LA - 340KW C4	1	8)
1	00 2712 268 0	ENGINE	OM471LA - 390KW C4	1	9)

1) Equipment

SH_P02_0610	MB S6-cyl. OM 471 LA, 340 kW/462 hp, ECE R 120
SH_P02_0620	MB S6-cyl. OM 471 LA, 380 kW/516 hp, ECE R 120
SH_P02_0670	MB S6-cyl. OM 471 LA, 340 kW/462 hp, ECE R 120
SH_P02_0671	0671_OM471 K R120-340 C4
SH_P02_0675	MB S6-cyl. OM 471 LA, 390 kW/530 hp, ECE R 120
SH_P02_0676	0676_OM471 K R120-390 C4
SH_P02_1610	MB S6-cyl. OM 471 LA, 340 kW/462 hp, ECE R 120
SH_P02_1620	MB S6-cyl. OM 471 LA, 380 kW/516 hp, ECE R 120

2) Equipment

SH_P02_0610	MB S6-cyl. OM 471 LA, 340 kW/462 hp, ECE R 120
-------------	--

3) Equipment

SH_P02_0620	MB S6-cyl. OM 471 LA, 380 kW/516 hp, ECE R 120
-------------	--

4) Equipment

SH_P02_1610	MB S6-cyl. OM 471 LA, 340 kW/462 hp, ECE R 120
-------------	--

5) Equipment

SH_P02_1620	MB S6-cyl. OM 471 LA, 380 kW/516 hp, ECE R 120
-------------	--

6) Equipment

SH_P02_0670	MB S6-cyl. OM 471 LA, 340 kW/462 hp, ECE R 120
-------------	--

7) Equipment

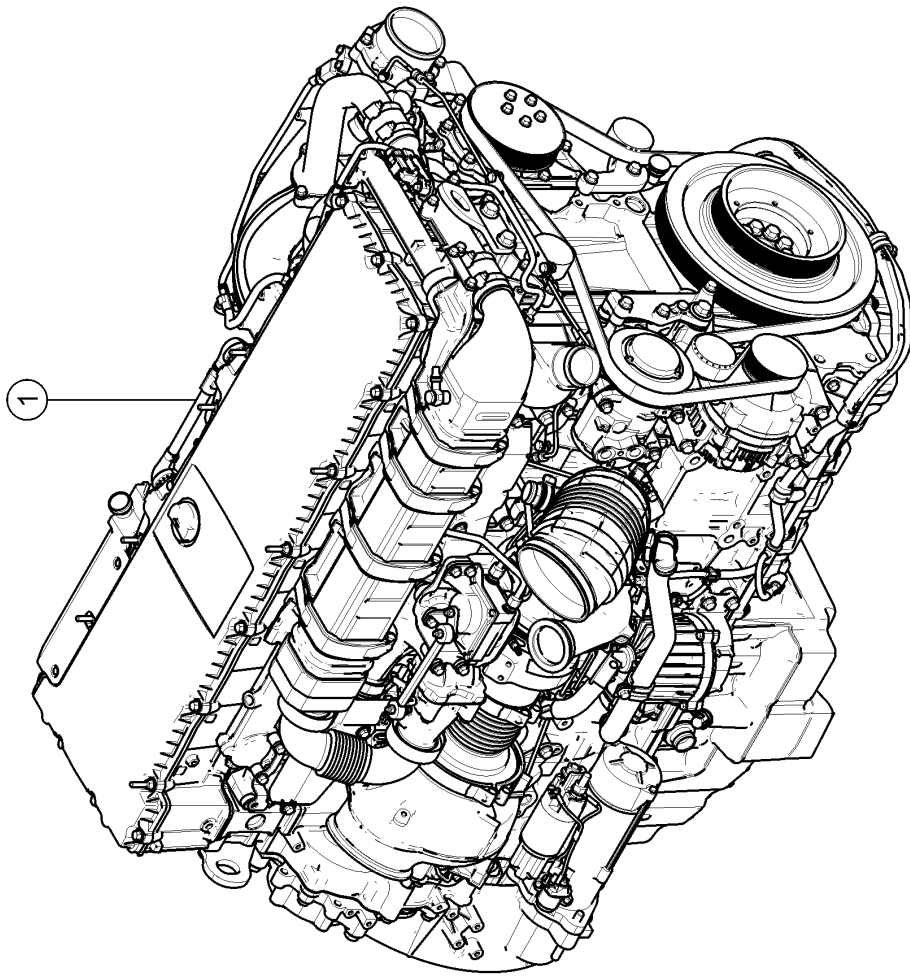
SH_P02_0675	MB S6-cyl. OM 471 LA, 390 kW/530 hp, ECE R 120
-------------	--

8) Equipment

SH_P02_0671	0671_OM471 K R120-340 C4
-------------	--------------------------

9) Equipment

SH_P02_0676	0676_OM471 K R120-390 C4
-------------	--------------------------



010 COMPLETE ENGINE 1)

Pos.	Part No.	Description	Dimension	Quantity	Conditions
1	00 0123 721 4	ENGINE	OM473LA 430KW TIER4F	1	2)
1	00 0123 707 4	ENGINE	OM473LA 460KW TIER4F	1	3)
1	00 2642 520 0	ENGINE	OM473LA - 430KW E4 SE	1	4)
1	00 2642 521 0	ENGINE	OM473LA - 460KW E4 SE	1	5)
1	00 2402 553 1	ENGINE	OM473 K2 430KW E5 JAGUAR	1	6)
1	00 2402 554 1	ENGINE	OM473 K2 480KW E5 JAGUAR	1	7)
1	00 2694 194 0	ENGINE	OM473LA - 430KW T4	1	2)
1	00 2694 195 0	ENGINE	OM473LA - 460KW T4	1	3)
1	00 1986 273 0	ENGINE	REMAN OM 473 LA 480KW E5	1	7)
1	00 2712 269 0	ENGINE	OM473LA - 430KW C4	1	8)
1	00 2712 270 0	ENGINE	OM473LA - 480KW C4	1	9)

1) Equipment

SH_P02_0630	MB S6-cyl. OM 473 LA, 430 kW/585 hp, ECE R 120
SH_P02_0640	MB S6-cyl. OM 473 LA, 460 kW/626 hp, ECE R 120
SH_P02_0680	MB S6-cyl. OM 473 LA, 430 kW/585 hp, ECE R 120
SH_P02_0681	0681_OM473 K R120-430 C4
SH_P02_0685	MB S6-cyl. OM 473 LA, 480 kW/653 hp, ECE R 120
SH_P02_0686	0686_OM473 K R120-480 C4
SH_P02_1630	MB S6-cyl. OM 473 LA, 430 kW/585 hp, ECE R 120
SH_P02_1640	MB S6-cyl. OM 473 LA, 460 kW/626 hp, ECE R 120

2) Equipment

SH_P02_0630	MB S6-cyl. OM 473 LA, 430 kW/585 hp, ECE R 120
-------------	--

3) Equipment

SH_P02_0640	MB S6-cyl. OM 473 LA, 460 kW/626 hp, ECE R 120
-------------	--

4) Equipment

SH_P02_1630	MB S6-cyl. OM 473 LA, 430 kW/585 hp, ECE R 120
-------------	--

5) Equipment

SH_P02_1640	MB S6-cyl. OM 473 LA, 460 kW/626 hp, ECE R 120
-------------	--

6) Equipment

SH_P02_0680	MB S6-cyl. OM 473 LA, 430 kW/585 hp, ECE R 120
-------------	--

7) Equipment

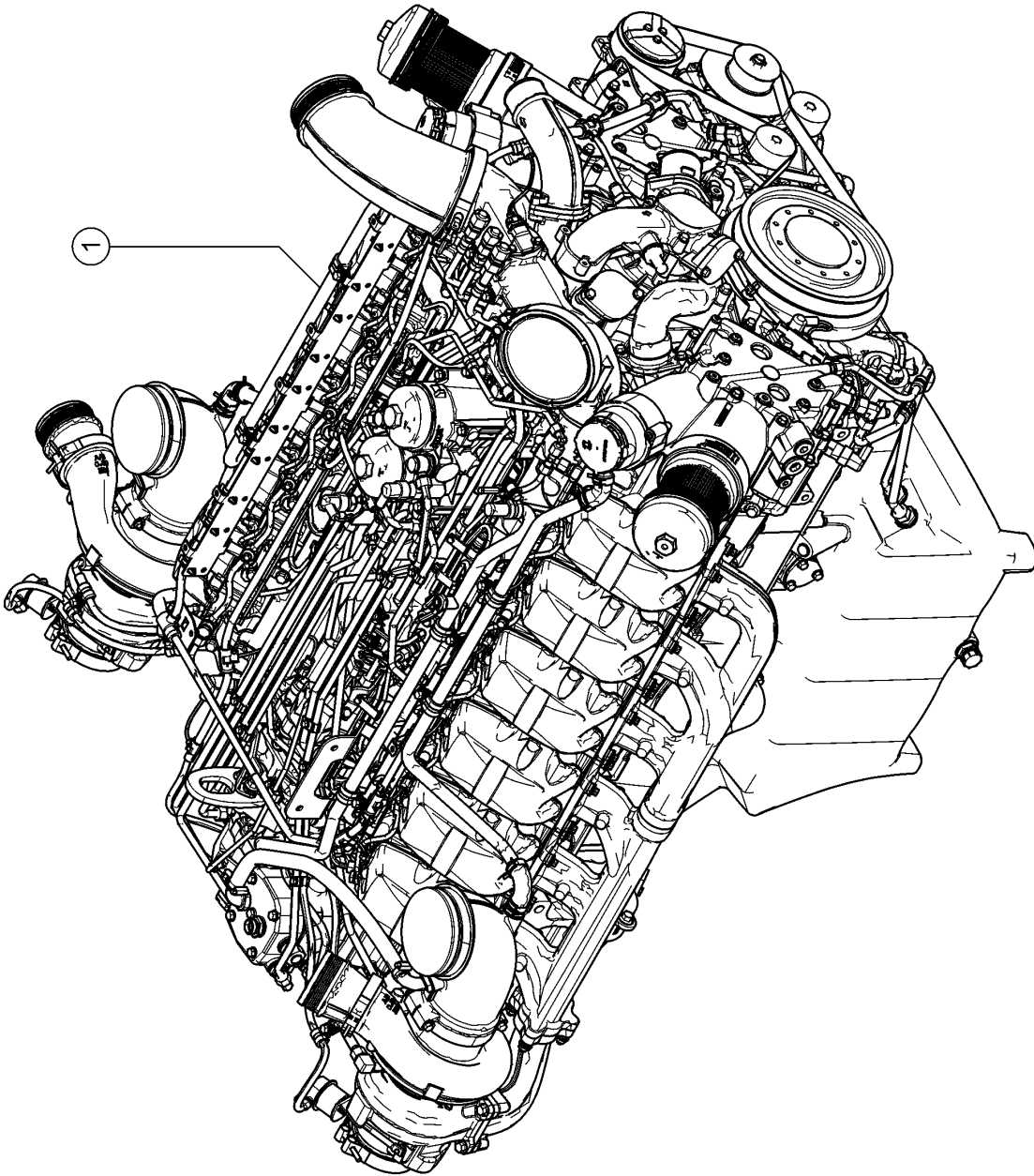
SH_P02_0685	MB S6-cyl. OM 473 LA, 480 kW/653 hp, ECE R 120
-------------	--

8) Equipment

SH_P02_0681	0681_OM473 K R120-430 C4
-------------	--------------------------

9) Equipment

SH_P02_0686	0686_OM473 K R120-480 C4
-------------	--------------------------



010 COMPLETE ENGINE 1)

Pos.	Part No.	Description	Dimension	Quantity	Conditions
1	00 2402 587 0	ENGINE	D28 T0 V12 T0 588 KW1		2)
1	00 2402 588 0	ENGINE	V12 588KW T4	1	3)
1	00 2402 680 1	ENGINE	D28 V12 680 KW T4/E5	1	4)
1	00 2402 679 0	ENGINE	D28 T0 V12 T0 680 KW1		5)
1	00 2402 588 1	ENGINE	V12 588 KW	1	6)
1	00 2402 624 0	ENGINE	V12 T0 625KW	1	7)
1	00 2402 625 0	ENGINE	D28 V12 T4/E5 625KW	1	8)

1) Equipment

SH_P02_0490	MAN V12-cyl. D2862 588 kW/800 hp at 1800 rpm, ECE R120
SH_P02_0492	MAN V12-cyl. D2862 588 kW/800 hp at 1800 rpm, ECE R120
SH_P02_0493	0493_D2862 K R120-680 C4
SH_P02_0494	MAN V12-cyl. D2862, 680 kW/925 hp at 1800 rpm, ECE R 120
SH_P02_0496	MAN V12-cyl. D2862, 680 kW/925 hp at 1800 rpm, ECE R 120
SH_P02_0497	0497_D2862 K R120-625 C4
SH_P02_0498	MAN V12-cyl. D2862 625 kW/850 hp at 1800 rpm, ECE R 120
SH_P02_0499	MAN V12-cyl. D2862 625 kW/850 hp at 1800 rpm, ECE R 120

2) Equipment**machine no.**

SH_P02_0490	MAN V12-cyl. D2862 588 kW/800 hp at 1800 rpm, ECE R120 + from 50200019
-------------	---

3) Equipment**machine no.**

SH_P02_0490	MAN V12-cyl. D2862 588 kW/800 hp at 1800 rpm, ECE R120 + up to 50200018
-------------	--

4) Equipment

SH_P02_0496	MAN V12-cyl. D2862, 680 kW/925 hp at 1800 rpm, ECE R 120
-------------	--

5) Equipment

SH_P02_0494	MAN V12-cyl. D2862, 680 kW/925 hp at 1800 rpm, ECE R 120
-------------	--

6) Equipment

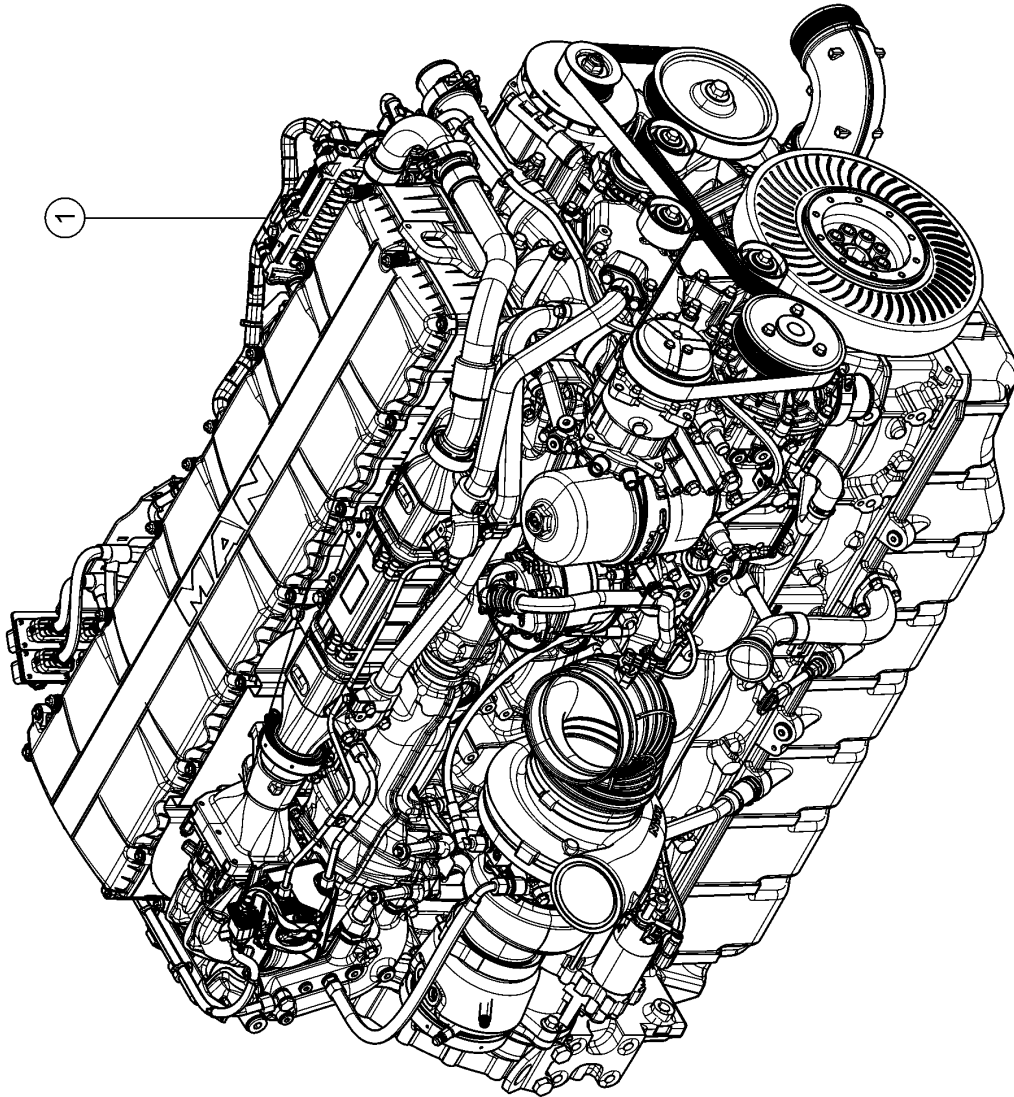
SH_P02_0492	MAN V12-cyl. D2862 588 kW/800 hp at 1800 rpm, ECE R120
-------------	--

7) Equipment

SH_P02_0498	MAN V12-cyl. D2862 625 kW/850 hp at 1800 rpm, ECE R 120
-------------	---

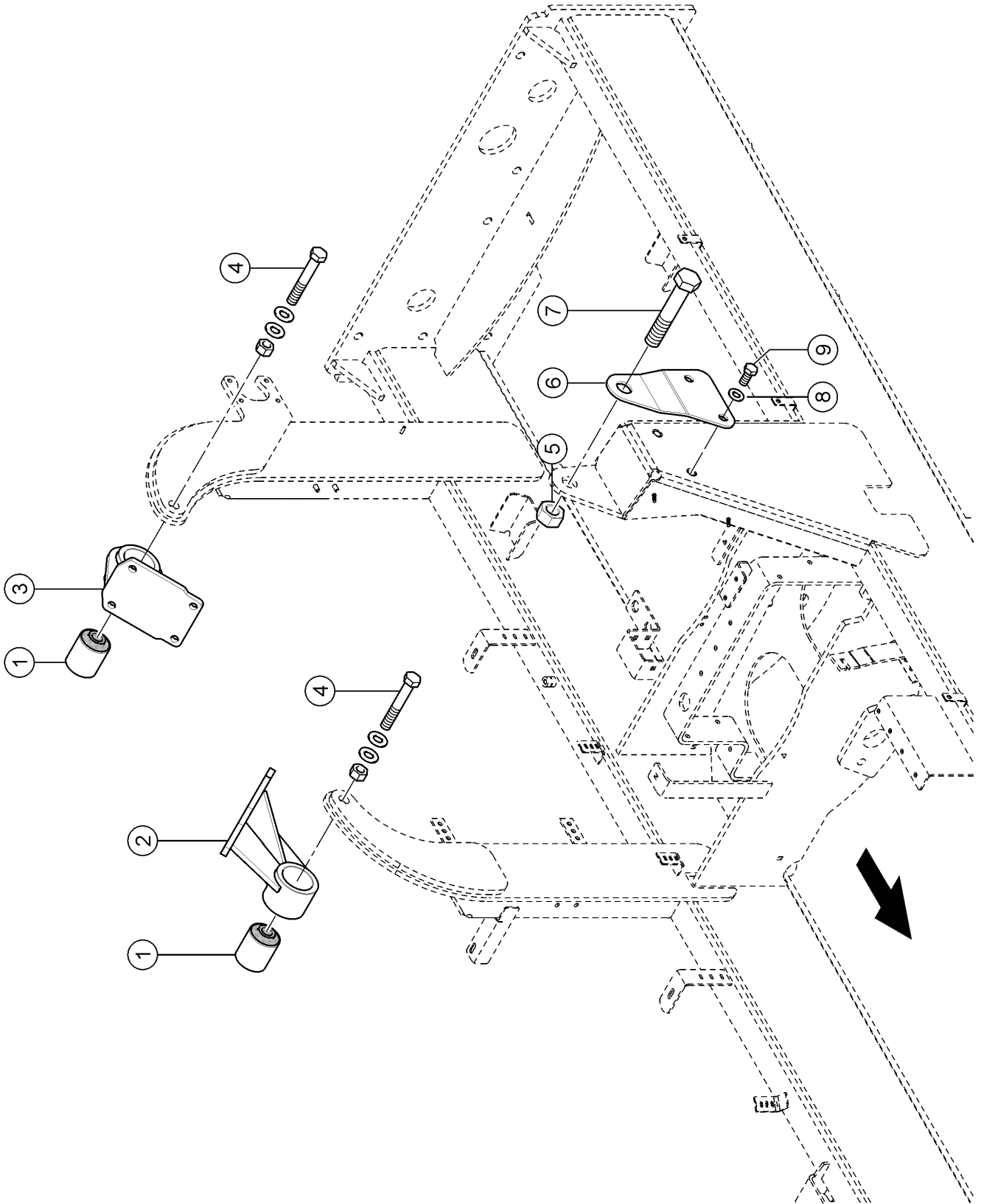
8) Equipment

SH_P02_0490	MAN V12-cyl. D2862 588 kW/800 hp at 1800 rpm, ECE R120
-------------	--



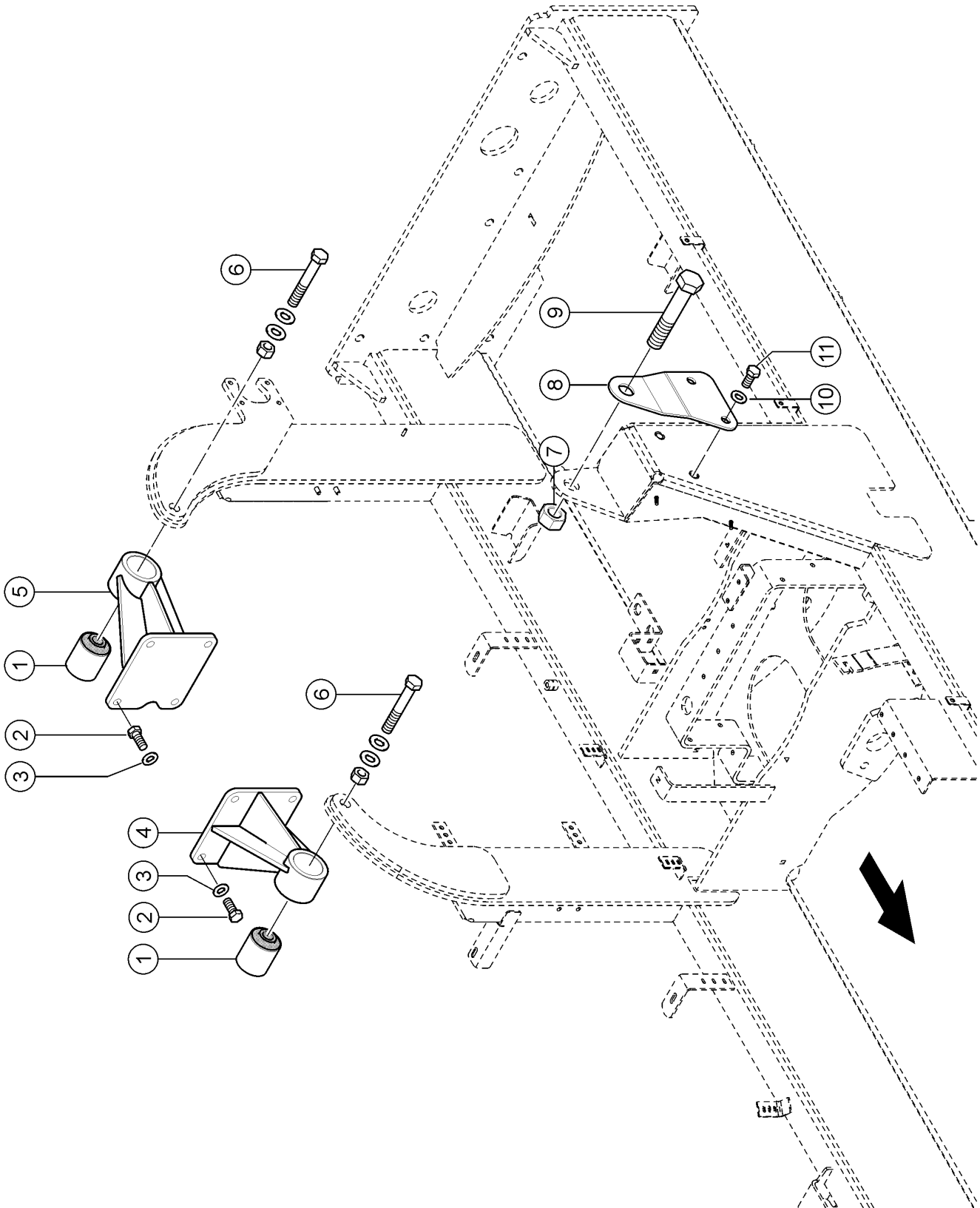
010 COMPLETE ENGINE 1)

Pos.	Part No.	Description	Dimension	Quantity	Conditions
1	00 2402 581 1	ENGINE	D42 76 T4 581 KW	1	2)
1	00 2402 582 1	ENGINE	D42 76 E5 581 KW	1	3)
1) Equipment					
		SH_P02_0700	MAN S6-cyl. D4276, 581 kW/790 hp at 1800 rpm, ECE R 120		
		SH_P02_0701	MAN S6-cyl. D4276, 581 kW/790 hp at 1800 rpm, ECE R 120		
		SH_P02_0702	0702_D4276 K R120-581 C4		
2) Equipment					
		SH_P02_0701	MAN S6-cyl. D4276, 581 kW/790 hp at 1800 rpm, ECE R 120		
3) Equipment					
		SH_P02_0700	MAN S6-cyl. D4276, 581 kW/790 hp at 1800 rpm, ECE R 120		
		SH_P02_0702	0702_D4276 K R120-581 C4		



100 ENGINE SUSPENSION 1)

Pos.	Part No.	Description	Dimension	Quantity	Conditions
1	00 0090 330 0	MEGU BUSHING	22X65X89,5	2	
2	00 0124 044 1	ENGINE SUPPORT	OM 502 LA	1	2)
3	00 0124 049 1	ENGINE SUPPORT	OM 502 LA	1	2)
4	00 0237 830 0	HEXAGON HEAD BOLT	M20X140	2	
4	00 0212 191 0	CONTACT WASHER	A20	4	
4	00 0234 368 0	WASHER	21X40X4	2	
4	00 0237 521 0	HEX.NUT	M20	2	
5	00 0211 242 0	HEXAGONAL NUT	M30	1	
6	00 0143 105 1	SUPPORT	6X198X250	1	
7	00 0211 241 0	HEXAGON HEAD BOLT	M30X170	1	
8	00 0239 391 0	CONTACT WASHER	A16	2	
9	00 0238 662 1	HEXAGON HEAD BOLT	M16X45	2	
1)	Equipment	SH_P02_0525 SH_P02_0530 SH_P02_0540	OM502, ECE R120, 350 kW/476 hp, Stage IIIA/Tier 3 OM502 ECE R120 390 KW/530 hp, Stage IIIA/Tier 3 OM502 ECE R120 480 KW/653 hp, Stage IIIA/Tier 3		
2)	Remarks		with Item 1		



100 ENGINE SUSPENSION 1)

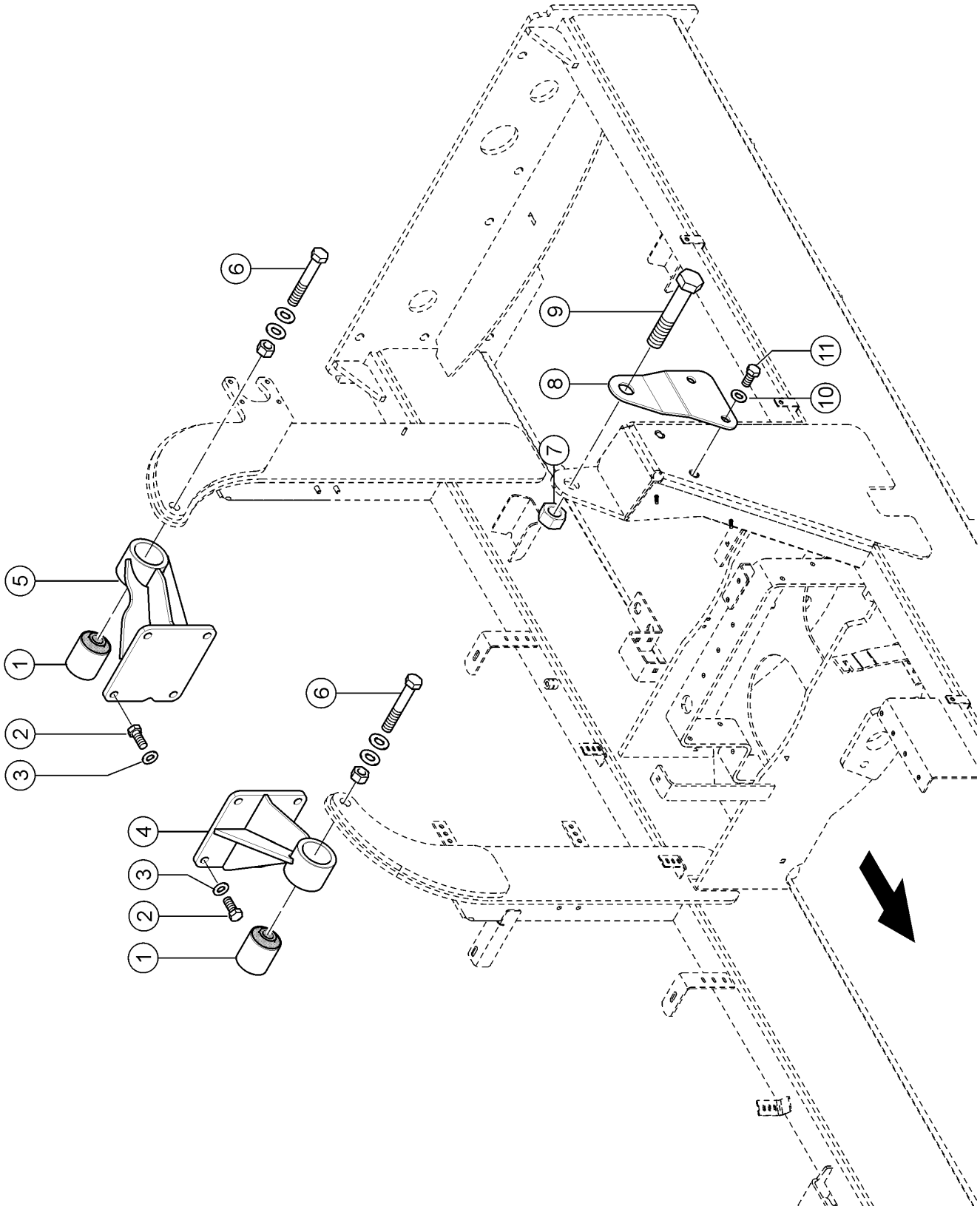
Pos.	Part No.	Description	Dimension	Quantity	Conditions
1	00 0090 330 0	MEGU BUSHING	22X65X89,5	2	
2	00 0239 130 0	HEXAGON HEAD BOLT	M16X1,5X 45	7	
3	00 0239 391 0	CONTACT WASHER	A16	7	
4	00 0124 063 1	ENGINE SUPPORT	OM471LA	1	2)
5	00 0124 068 2	ENGINE SUPPORT	OM471LA	1	2)
6	00 0237 830 0	HEXAGON HEAD BOLT	M20X140	2	
6	00 0212 191 0	CONTACT WASHER	A20	4	
6	00 0234 368 0	WASHER	21X40X4	2	
6	00 0237 521 0	HEX.NUT	M20	2	
7	00 0211 242 0	HEXAGONAL NUT	M30	1	
8	00 0143 105 1	SUPPORT	6X198X250	1	
9	00 0211 241 0	HEXAGON HEAD BOLT	M30X170	1	
10	00 0239 391 0	CONTACT WASHER	A16	2	
11	00 0238 662 1	HEXAGON HEAD BOLT	M16X45	2	

1) Equipment

SH_P02_0610	MB S6-cyl. OM 471 LA, 340 kW/462 hp, ECE R 120
SH_P02_0620	MB S6-cyl. OM 471 LA, 380 kW/516 hp, ECE R 120
SH_P02_0670	MB S6-cyl. OM 471 LA, 340 kW/462 hp, ECE R 120
SH_P02_0671	0671_OM471 K R120-340 C4
SH_P02_0675	MB S6-cyl. OM 471 LA, 390 kW/530 hp, ECE R 120
SH_P02_0676	0676_OM471 K R120-390 C4
SH_P02_1610	MB S6-cyl. OM 471 LA, 340 kW/462 hp, ECE R 120
SH P02 1620	MB S6-cyl. OM 471 LA, 380 kW/516 hp, ECE R 120

2) Remarks

with Item 1



Thank you so much for reading.
Please click the “Buy Now!”
button below to download the
complete manual.



After you pay.

You can download the most
perfect and complete manual in
the world immediately.

Our support email:

ebooklibonline@outlook.com