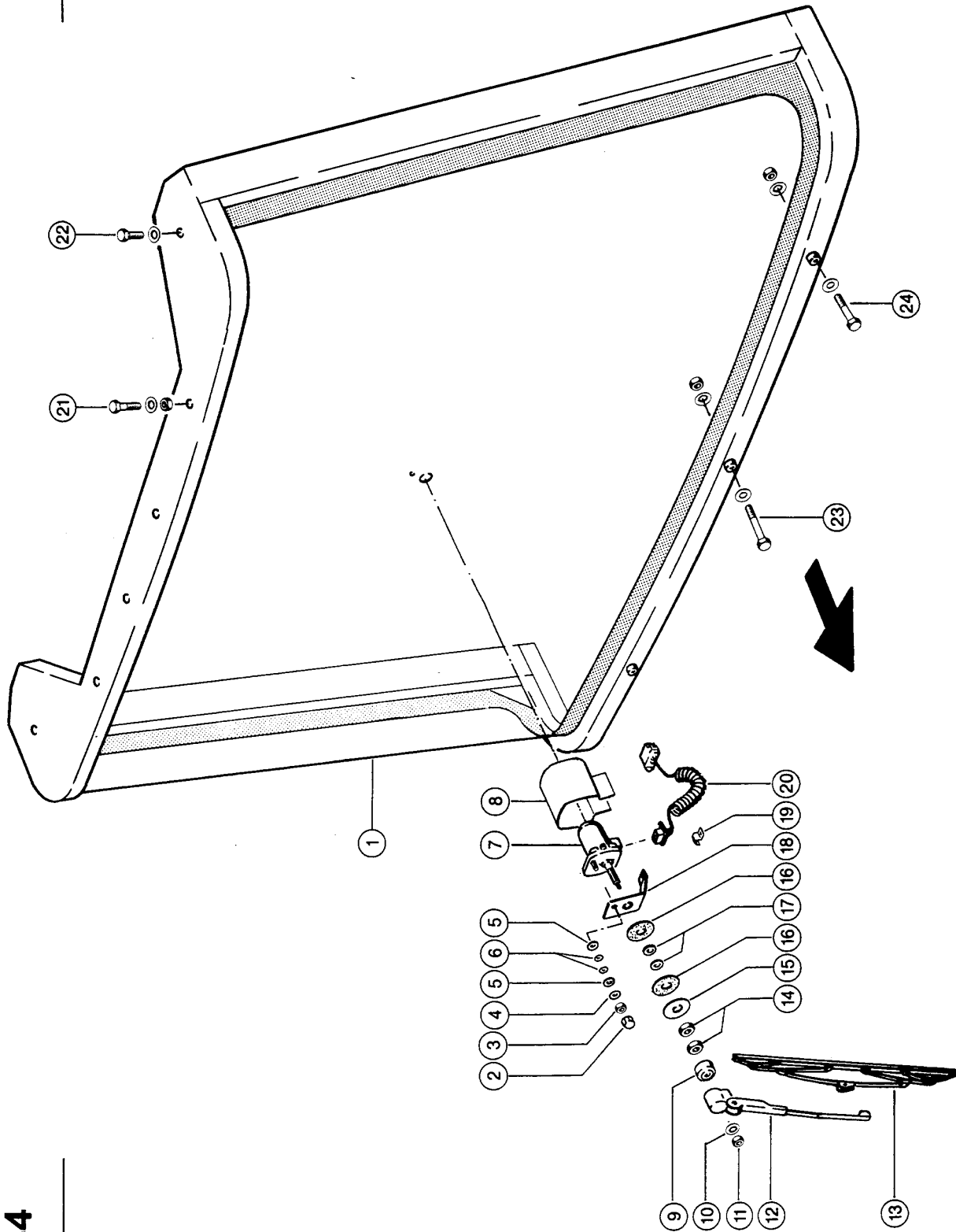


1



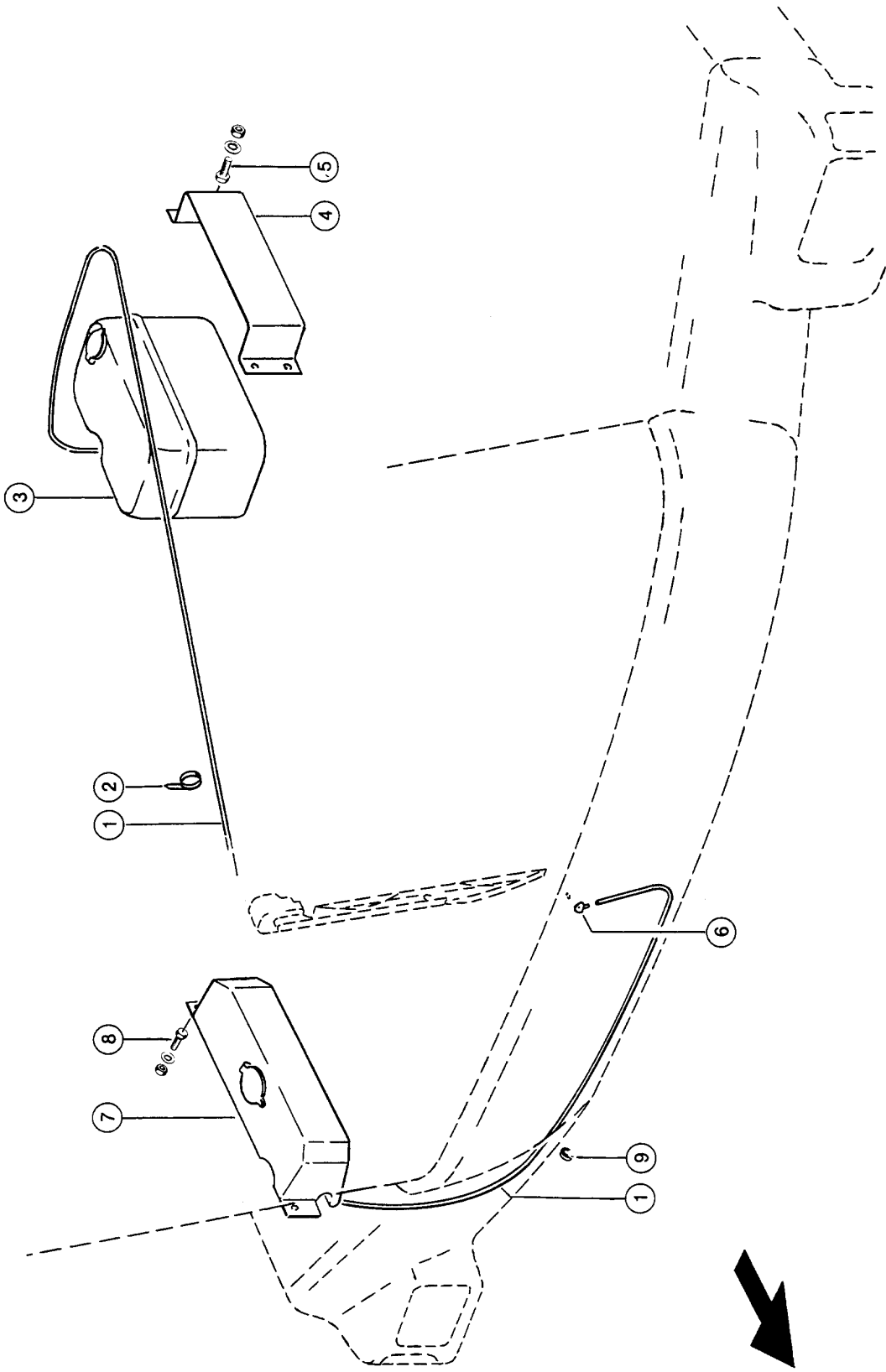
01160744

116374/01

CAB, FRONT

| Pos. | Part No. | Description | Dimension | Quantity | Conditions |
|-----------|----------------------|--------------------|-----------------|----------|------------|
| 1 | 00 0625 505 1 | FRONT FRAME | | 1 | |
| 2 | 00 0215 431 0 | GUARD CAP | SW 8-M 5 | 1 | |
| 3 | 00 0237 216 0 | HEXAGONAL NUT | M05 | 1 | |
| 4 | 00 0236 910 2 | FLAT WASHER | 5 -5,3X10X1 | 1 | |
| 5 | 00 0622 642 0 | RUBBER DISC | | 2 | |
| 6 | 00 0622 673 0 | RUBBER DISC | | 2 | |
| 7 | 00 0625 826 0 | WIPER MOTOR | | 1 | |
| 8 | 00 0625 824 0 | CAP | F.WISCHERMOTOR | 1 | |
| 9 | 00 0622 641 0 | CAP | | 1 | |
| 10 | 00 0215 034 0 | SERRATED L.WASHER | A 6,4 | 1 | |
| 11 | 00 0236 169 0 | HEXAGONAL NUT | M6 | 1 | |
| 12 | 00 0625 503 0 | WIPER ARM | | 1 | 1) |
| 12 | 00 0622 636 0 | WIPER ARM | | 1 | 2) |
| 13 | 00 0622 637 1 | WIPER BLADE | | 1 | |
| 14 | 00 0622 640 0 | HEXAGONAL NUT | M14X1 | 2 | |
| 15 | 00 0622 639 0 | WASHER | 14,5X50X2 | 1 | |
| 16 | 00 0622 638 0 | RUBBER DISC | | 2 | |
| 17 | 00 0622 644 0 | RUBBER DISC | | 2 | |
| 18 | 00 0010 136 0 | ANGLE | 1,5X40X144,5 | 1 | |
| 19 | 00 0236 400 0 | ATTACHING CLAMP | 1X 8-5,2 | 1 | |
| 20 | 00 0013 141 0 | WIRE | SCHEIBENWISCHER | 1 | |
| 21 | 00 0237 340 0 | HEXAGON HEAD BOLT | M08X40 | 4 | |
| 21 | 00 0236 170 0 | HEXAGONAL NUT | M8 | 4 | |
| 21 | 00 0239 393 1 | CONTACT WASHER | B 8 -8.2X22X1,9 | 4 | |
| 22 | 00 0236 200 0 | HEXAGON HEAD BOLT | M8X20 | 2 | |
| 22 | 00 0239 393 1 | CONTACT WASHER | B 8 -8.2X22X1,9 | 2 | |
| 23 | 00 0235 540 0 | HEXAGON HEAD BOLT | M10X80 | 1 | |
| 23 | 00 0236 171 0 | HEXAGONAL NUT | M10 | 1 | |
| 23 | 00 0236 831 0 | WASHER | 10,5X25X2 | 2 | |
| 24 | 00 0237 844 0 | HEXAGON HEAD BOLT | M10X65 | 2 | |
| 24 | 00 0236 171 0 | HEXAGONAL NUT | M10 | 2 | |
| 24 | 00 0236 831 0 | WASHER | 10,5X25X2 | 4 | |
| 1) | Remarks | from No. 56600493 | | | |
| 2) | Remarks | Up to No. 56600492 | | | |

2



01160745

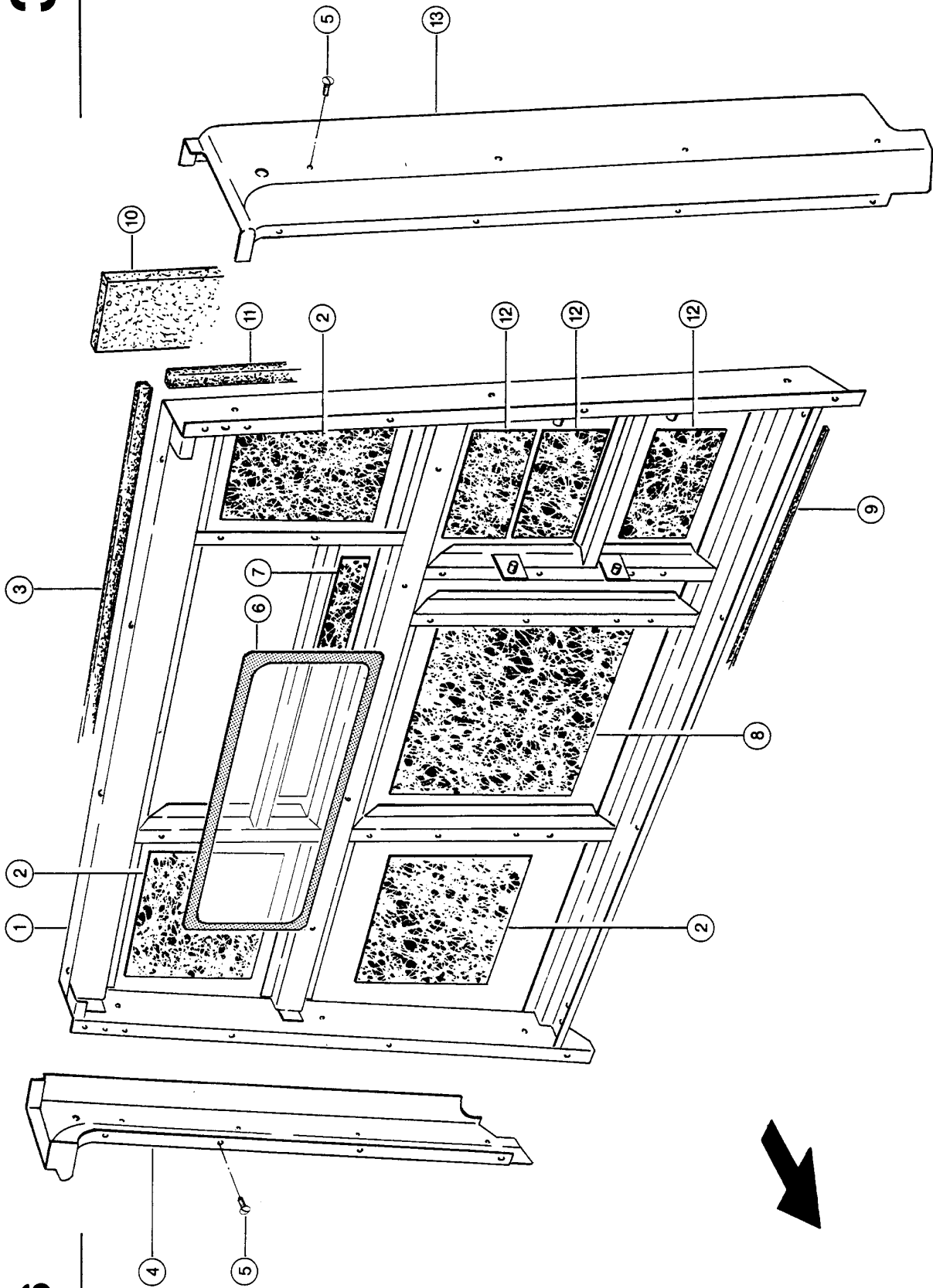
116375/01

WINDSCREEN WASHER 1)

| Pos. | Part No. | Description | Dimension | Quantity | Conditions |
|------|----------------------|-------------------|---------------|----------|------------|
| 1 | 00 0205 294 0 | PVC-HOSE | 4X1 | 1 | 2) |
| 2 | 00 0755 646 0 | CABLE TIE | 3,5X150 | 17 | 3) |
| 3 | 00 0748 898 0 | WATER CONTAINER | | 1 | 3) |
| 4 | 00 0748 897 0 | CAP PROFILE | 2X100X486,1 | 1 | 3) |
| 5 | 00 0237 442 0 | HEXAGON HEAD BOLT | M8X25 | 4 | 3) |
| 5 | 00 0238 132 0 | LOCK NUT | M8 | 4 | 3) |
| 5 | 00 0239 387 0 | CONTACT WASHER | A8-8,2X18X1,4 | 4 | 3) |
| 6 | 00 0736 443 0 | NOZZLE | | 1 | |
| 7 | 00 0074 879 1 | CONTAINER | 4,0 L | 1 | 4) |
| 7 | 00 0546 165 0 | COVER | | 1 | 4) |
| 7 | 00 0546 236 0 | ENGINE | | 1 | 5) |
| 7 | 00 0546 157 0 | GASKET | | 1 | 5) |
| 8 | 00 0237 466 0 | HEXAGON HEAD BOLT | M06X20 | 4 | 4) |
| 8 | 00 0237 983 0 | HEXAGONAL NUT | M6 | 4 | 4) |
| 8 | 00 0239 392 0 | CONTACT WASHER | B 6 -6X18X1,4 | 4 | 4) |
| 9 | 00 0215 160 0 | CABLE RING | A 10X13,5X4 | 1 | 4) |

| | |
|-------------------|--------------------|
| 1) Remarks | Q 03 / 70 |
| 2) Remarks | 1400 mm long |
| 3) Remarks | Up to No. 56600461 |
| 4) Remarks | from No. 56600462 |
| 5) Remarks | FROM NO. 56600462 |

3



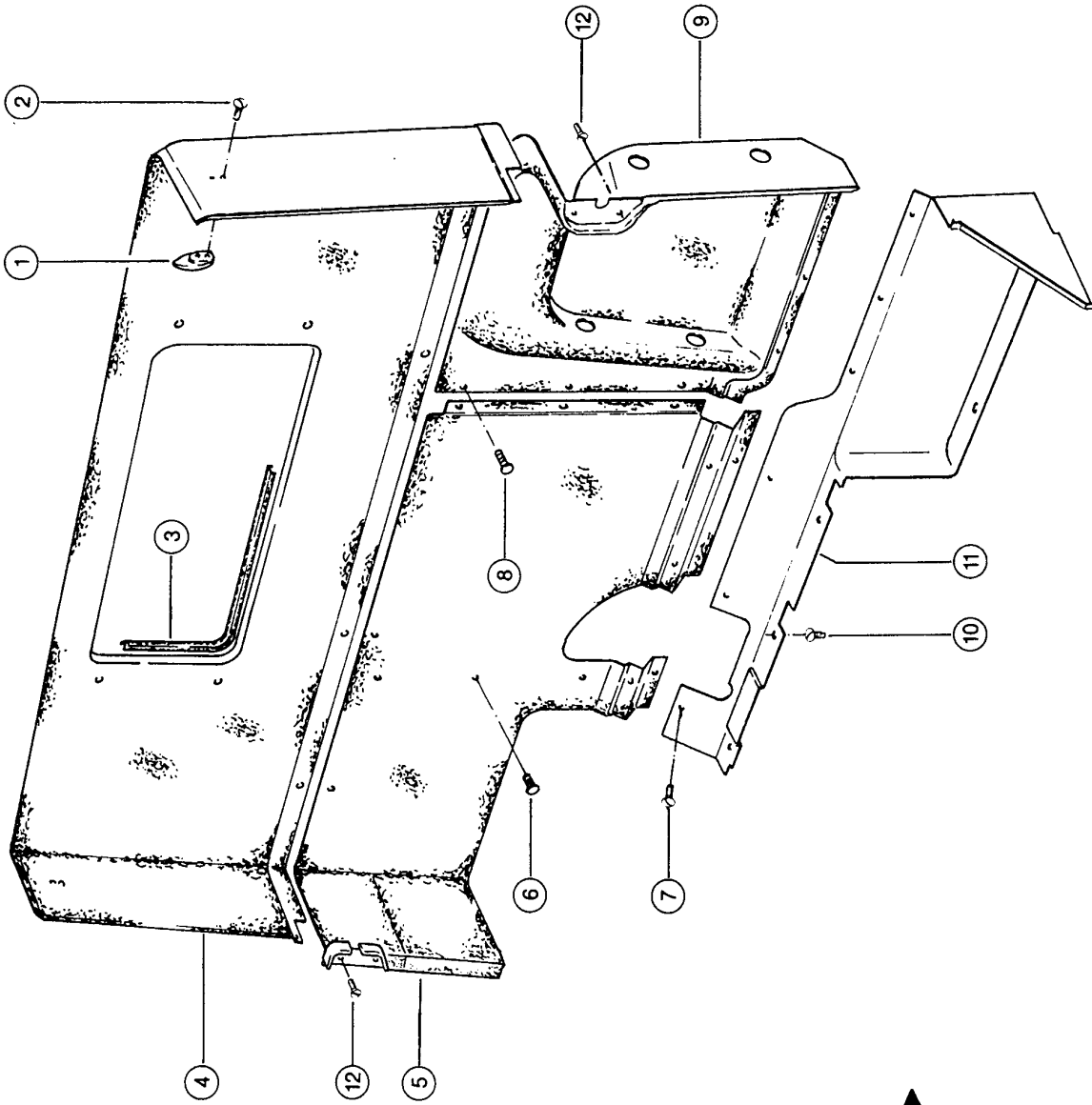
01160746

116376

CAB, REAR PANEL

| Pos. | Part No. | Description | Dimension | Quantity | Conditions |
|-------------|----------------------|--------------------|------------------|-----------------|-------------------|
| 1 | 00 0625 783 0 | REAR PANEL | | 1 | |
| 2 | 00 0622 745 0 | INSULATION | 2X330X400 | 3 | |
| 3 | 00 0625 788 0 | MOLDING | 30X20X1400 | 1 | |
| 4 | 00 0350 886 0 | COLUMN R.H. | CAT, RECHTS | 1 | |
| 5 | 00 0215 720 0 | FILL.HEAD SCREW | ST4,2X13-C-KFR-Z | 16 | |
| 6 | 00 0625 781 1 | REAR WINDOW | 6 X 332X 637 | 1 | |
| 7 | 00 0622 743 1 | INSULATION | 2X100X530 | 1 | |
| 8 | 00 0622 746 1 | INSULATION | 2X500X530 | 1 | |
| 9 | 00 0201 480 0 | WOOD PULP STRIP | 12X4 SELBSTKLEB | 1 | 1) |
| 10 | 00 0625 787 1 | MOLDING | 25X150X300 | 2 | |
| 11 | 00 0205 350 0 | SEALING PROFILE | 19X30X2000 | 1 | 1) |
| 12 | 00 0625 808 0 | INSULATION | 2X 165X 350 | 3 | |
| 13 | 00 0350 885 0 | COLUMN L.H. | CAT, LINKS | 1 | |
| 14 | 00 0625 757 0 | PLUG | D16,5 | 2 | |
| 1) | Remarks | 3500 mm long | | | |

4



01160747

116377/01

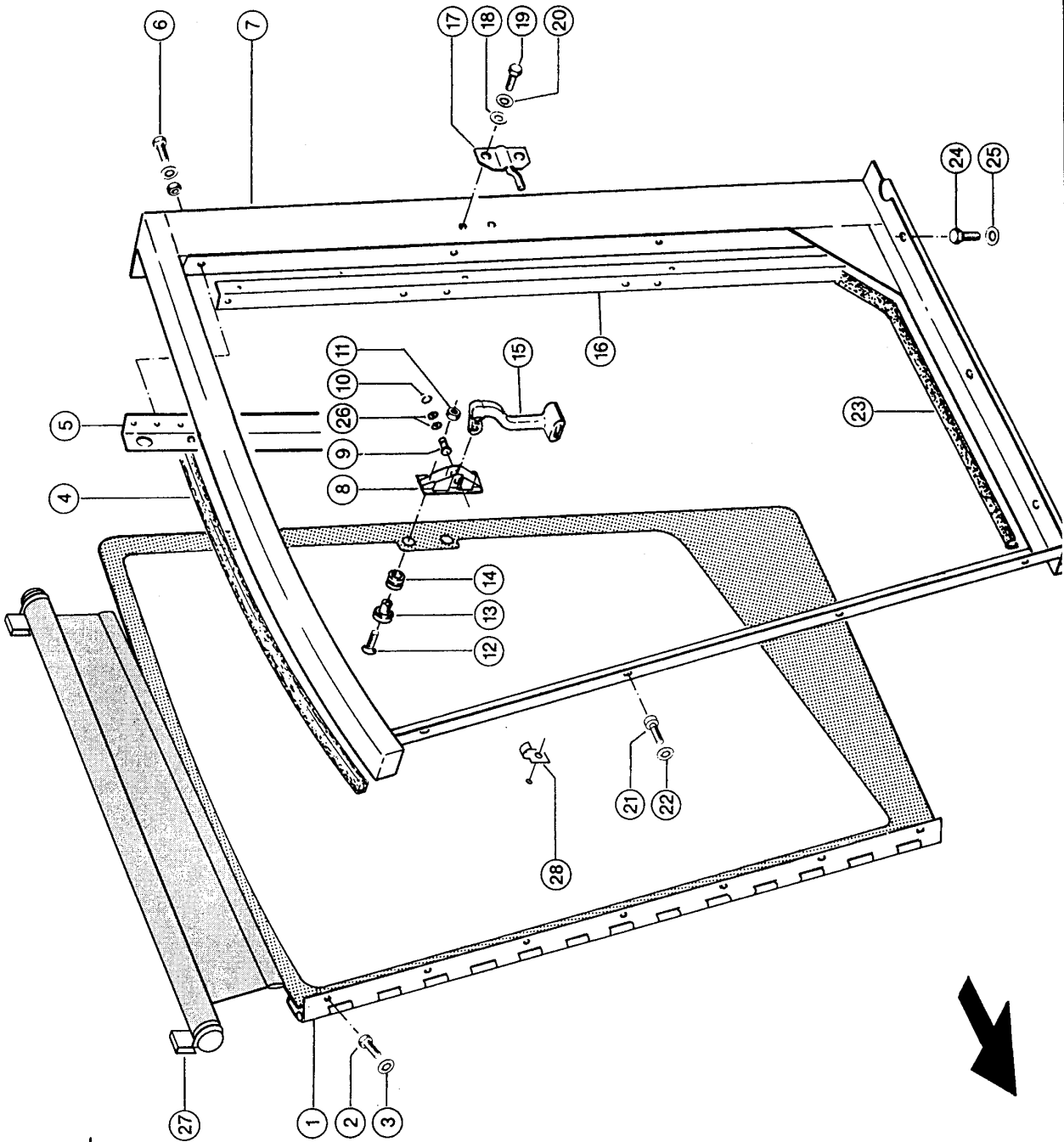
CAB, LINING

| Pos. | Part No. | Description | Dimension | Quantity | Conditions |
|------|----------------------|------------------|------------------------------|----------|------------|
| 1 | 00 0215 813 0 | COAT HOOK | 42X17 | 2 | |
| 2 | 00 0242 713 1 | FILL-HEAD SCREW | ST3,9X16-C-H | 4 | |
| 3 | 00 0205 350 0 | SEALING PROFILE | 19X30X2000 | 1 | |
| 4 | 00 0625 802 4 | REAR PANEL COVER | | 1 | |
| 5 | 00 0625 805 6 | REAR PANEL COVER | | 1 | |
| 6 | 00 0215 587 0 | PLASTIC PLUG | D 8 22,75LG | 13 | |
| 7 | 00 0216 229 0 | FILL-HEAD SCREW | M4X20-KOMBI-KREU ZSCHLITZ | 6 | |
| 8 | 00 0215 988 0 | PLASTIC PLUG | D 7 34LG | 5 | |
| 9 | 00 0350 903 2 | REAR PANEL | UNTEN LINKS | 1 | |
| 10 | 00 0215 720 0 | FILL-HEAD SCREW | ST4,2X13-C-KFR-Z | 5 | 1) |
| 11 | 00 0546 580 2 | SUPPORT | | 1 | 2) |
| 11 | 00 0625 810 1 | SUPPORT | | 1 | 3) |
| 12 | 00 0242 506 1 | COUNTERSUNK BOLT | M4X20 | 4 | 4) |
| 13 | 00 0546 429 0 | SUPPORT | 420X209X1.5 | 1 | 2) |
| 14 | 00 0238 456 0 | CABLE RING | A 30X38X1,6 | 2 | 2) |
| 15 | 00 0734 779 0 | CABLE RING | C 20-35X50X2 | 1 | 2) |

| | |
|-------------------|--------------------|
| 1) Remarks | (5) |
| 2) Remarks | from No. 56600800 |
| 3) Remarks | up to No. 56600799 |
| 4) Remarks | From No. 56600613 |

5

00293z02



01160748

116378/03

CABSIDE, RIGHT HAND WITH DOOR

| Pos. | Part No. | Description | Dimension | Quantity | Conditions |
|------|----------------------|-------------------|-----------------|----------|------------|
| 1 | 00 0625 687 2 | DOOR R.H. | | 1 | |
| 2 | 00 0237 465 0 | HEXAGON HEAD BOLT | M6X16 | 7 | |
| 3 | 00 0239 392 0 | CONTACT WASHER | B 6 -6X18X1,4 | 7 | |
| 4 | 00 0205 593 0 | PROFILE | 20X30X1100 | 1 | |
| 5 | 00 0354 390 0 | ANGLE | 40X4X510 | 1 | 1) |
| 5 | 00 0625 677 0 | ANGLE | 40X40X4X90 | 1 | 2) |
| 6 | 00 0236 200 0 | HEXAGON HEAD BOLT | M8X20 | 5 | |
| 6 | 00 0236 170 0 | HEXAGONAL NUT | M8 | 5 | |
| 6 | 00 0239 393 1 | CONTACT WASHER | B 8 -8.2X22X1,9 | 5 | |
| 7 | 00 0625 653 0 | SIDE WALL R.H. | | 1 | |
| 8 | 00 0625 817 0 | SUPPORT | | 1 | |
| 9 | 00 0625 819 0 | PIN | 8X23X20,5 | 1 | |
| 10 | 00 0235 752 0 | LOCK WASHER | 6 | 1 | |
| 11 | 00 0236 170 0 | HEXAGONAL NUT | M8 | 2 | |
| 12 | 00 0237 069 0 | COUNTERSUNK BOLT | M 8X 30 | 2 | |
| 13 | 00 0625 821 0 | SPACER GLASS | 8,5X30X17 | 2 | |
| 14 | 00 0625 820 0 | GROMMET | A 14X19X5,5 | 2 | |
| 15 | 00 0625 818 0 | HANDLE | | 1 | |
| 16 | 00 0625 902 0 | ANGLE | 1,5X53X1334 | 1 | |
| 17 | 00 0625 843 3 | LOCKING PLATE | | 1 | |
| 18 | 00 0236 913 2 | FLAT WASHER | 10-10,5X20X2 | 2 | |
| 19 | 00 0236 987 0 | SOCKET HEAD SCREW | M 8X 20 | 2 | 3) |
| 19 | 00 0236 200 0 | HEXAGON HEAD BOLT | M8X20 | 2 | 4) |
| 20 | 00 0239 393 1 | CONTACT WASHER | B 8 -8.2X22X1,9 | 1 | |
| 21 | 00 0242 227 1 | SOCKET HEAD SCREW | M8X16 | 4 | |
| 22 | 00 0239 393 1 | CONTACT WASHER | B 8 -8.2X22X1,9 | 4 | |
| 23 | 00 0205 554 0 | SEAL STRIP | | 1 | 5) |
| 24 | 00 0236 200 0 | HEXAGON HEAD BOLT | M8X20 | 3 | |
| 25 | 00 0239 393 1 | CONTACT WASHER | B 8 -8.2X22X1,9 | 3 | |
| 26 | 00 0236 357 0 | SHIM | 8,5X14X0,25 | 1 | 6) |
| 27 | 00 0069 543 1 | ROLLER BLIND | RECHTS/1025X910 | 1 | 7) |
| 28 | 00 0069 542 0 | SPRING HOOK | | 1 | 7) |

1) Remarks from No. 56600830

2) Remarks up to No. 56600829

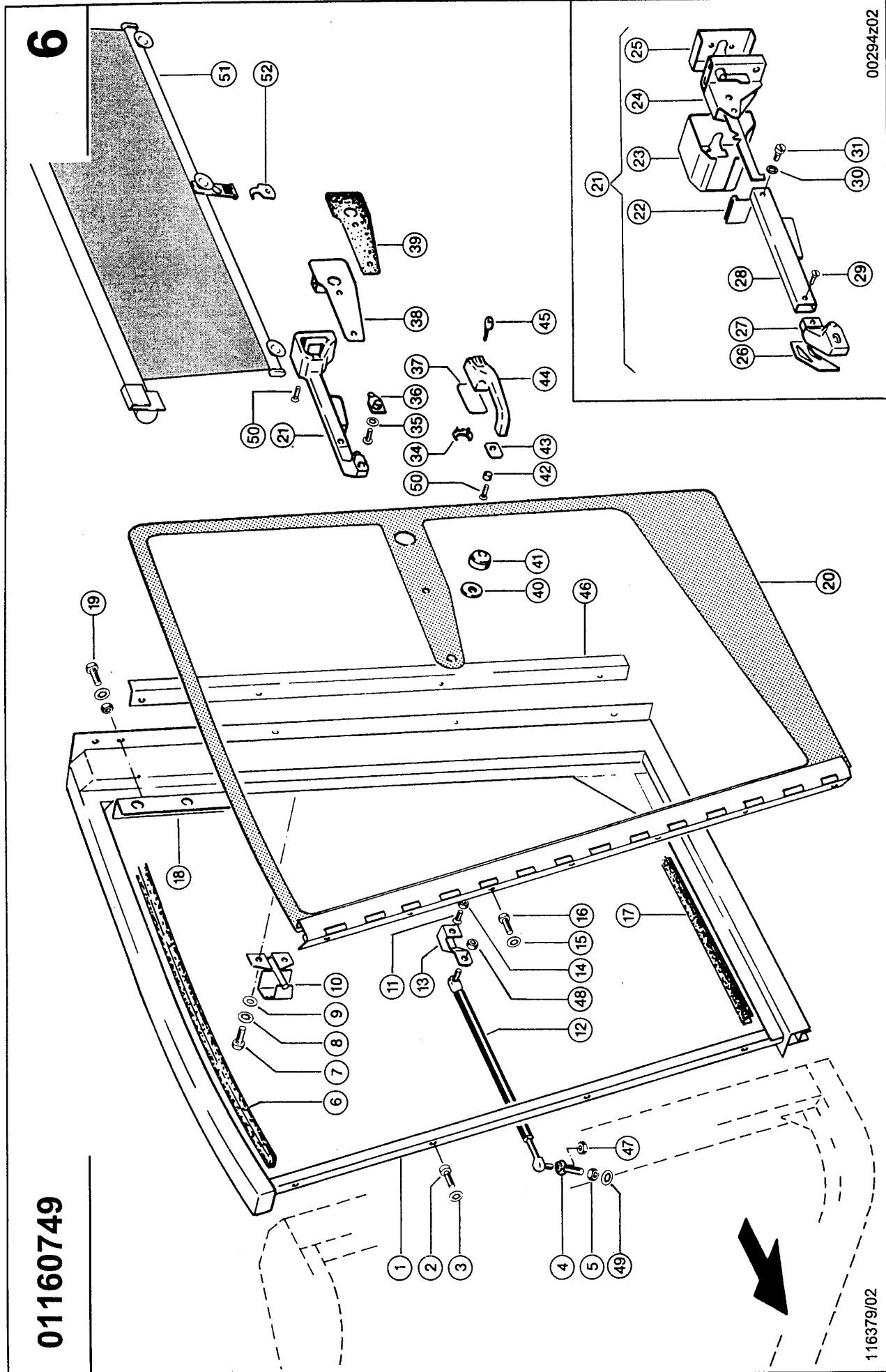
3) Remarks From No. 56600594

4) Remarks Up To No. 56600593

5) Remarks 4700 mm long

6) Remarks from No. 56600462

7) Remarks option



01160749

116379/02

00294z02

CAB, SIDE PANEL, L.H. - DOOR

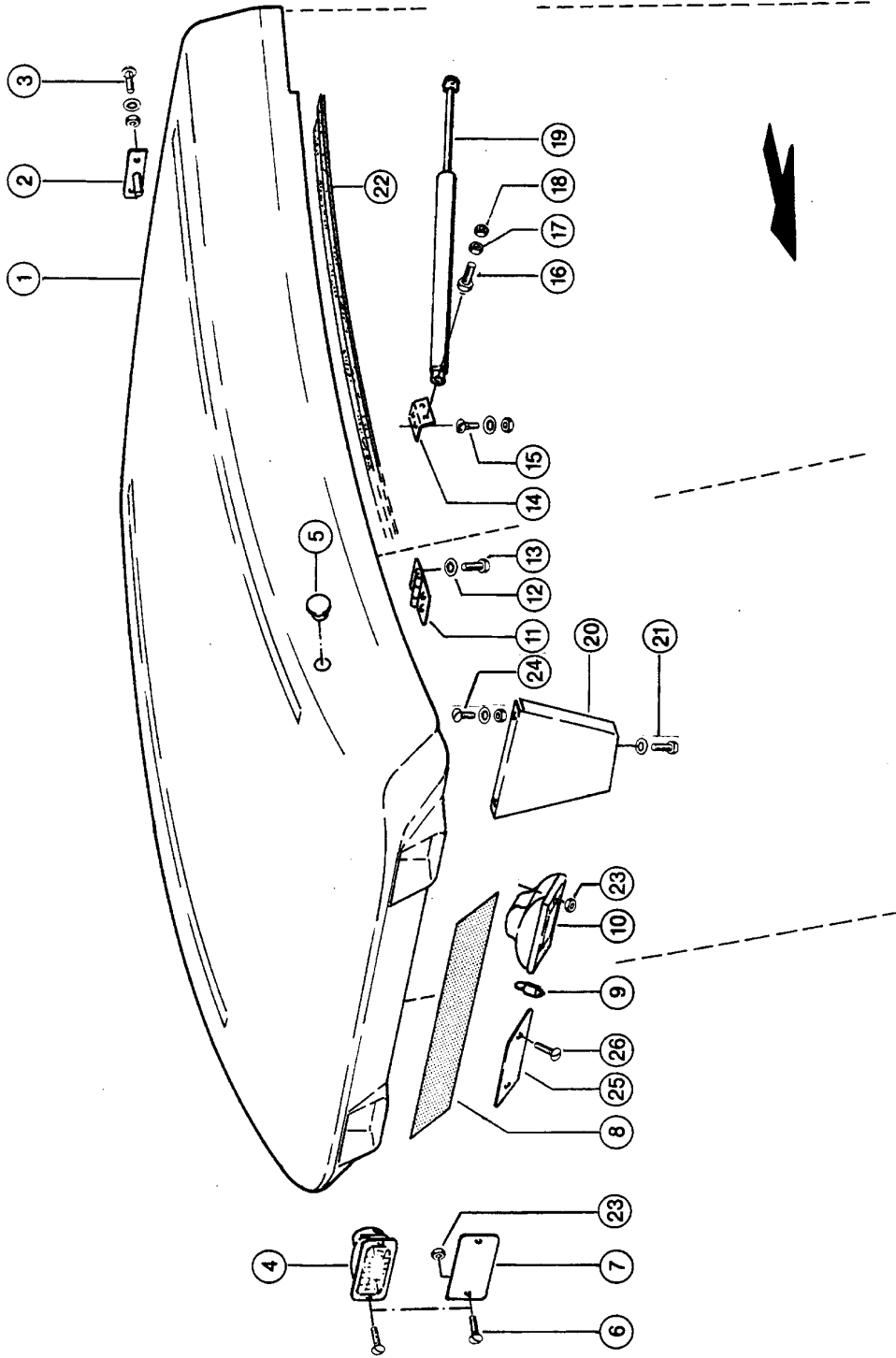
| Pos. | Part No. | Description | Dimension | Quantity | Conditions |
|------|----------------------|-------------------|---------------------------|----------|------------|
| 1 | 00 0625 652 0 | SIDE WALL L.H. | S | 1 | |
| 2 | 00 0242 227 1 | SOCKET HEAD SCREW | M8X16 | 4 | |
| 3 | 00 0239 393 1 | CONTACT WASHER | B 8 -8.2X22X1,9 | 4 | |
| 4 | 00 0216 026 0 | EYE BOLT | BM 8X50X30 ERS.D.21602 | 1 | |
| 5 | 00 0236 170 0 | HEXAGONAL NUT | M8 | 1 | |
| 6 | 00 0205 593 0 | PROFILE | 20X30X1100 | 1 | |
| 7 | 00 0236 200 0 | HEXAGON HEAD BOLT | M8X20 | 2 | |
| 8 | 00 0239 393 1 | CONTACT WASHER | B 8 -8.2X22X1,9 | 2 | |
| 9 | 00 0236 913 2 | FLAT WASHER | 10-10,5X20X2 | 4 | |
| 10 | 00 0625 823 1 | LOCKING PLATE | | 1 | |
| 11 | 00 0241 253 0 | COUNTERSUNK BOLT | M 6X40 | 1 | |
| 12 | 00 0625 835 0 | GAS SPRING | | 1 | |
| 13 | 00 0625 832 1 | SUPPORT | | 1 | |
| 14 | 00 0236 169 0 | HEXAGONAL NUT | M6 | 1 | |
| 15 | 00 0239 392 0 | CONTACT WASHER | B 6 -6X18X1,4 | 7 | |
| 16 | 00 0237 465 0 | HEXAGON HEAD BOLT | M6X16 | 7 | |
| 17 | 00 0205 554 0 | SEAL STRIP | | 1 | 1) |
| 18 | 00 0354 390 0 | ANGLE | 40X4X510 | 1 | 2) |
| 18 | 00 0625 677 0 | ANGLE | 40X40X4X90 | 1 | 3) |
| 19 | 00 0236 200 0 | HEXAGON HEAD BOLT | M8X20 | 5 | |
| 19 | 00 0236 170 0 | HEXAGONAL NUT | M8 | 5 | |
| 19 | 00 0239 393 1 | CONTACT WASHER | B 8 -8.2X22X1,9 | 5 | |
| 20 | 00 0625 575 2 | DOOR L.H. | | 1 | |
| 21 | 00 0625 730 0 | DOOR HANDLE | | 1 | |
| 22 | 00 0625 735 0 | INSIDE COVER | | 1 | |
| 23 | 00 0625 736 0 | CAP | | 1 | |
| 24 | 00 0625 731 0 | LOCK | | 1 | |
| 25 | 00 0625 732 0 | ADJUSTING PLATE | | 1 | |
| 26 | 00 0625 740 0 | COVERING | | 1 | |
| 27 | 00 0625 734 0 | END PIECE | | 1 | |
| 28 | 00 0625 733 0 | DOOR HANDLE | | 1 | |
| 29 | 00 0241 236 0 | COUNTERSUNK BOLT | M 5X10 | 1 | |
| 30 | 00 0215 031 0 | SERRATED L.WASHER | A 5,3 | 1 | |
| 31 | 00 0242 043 0 | SOCKET HEAD SCREW | M 5X10 | 1 | |
| 34 | 00 0625 726 0 | DISTANCE PLATE | | 1 | |
| 35 | 00 0216 059 0 | FLAT HEAD BOLT | M 6X 25 | 1 | |
| 35 | 00 0236 911 2 | FLAT WASHER | 6 -6,4X12X1,6 | 1 | |
| 36 | 00 0625 751 0 | INSERT | | 1 | |
| 37 | 00 0625 723 0 | SHIM LARGE | | 1 | |
| 38 | 00 0625 727 1 | MOUNTING PLATE | | 1 | |
| 39 | 00 0625 750 0 | SHIM | | 1 | |
| 40 | 00 0625 753 0 | RUBBER DISC | | 1 | |
| 41 | 00 0625 752 0 | CAP | | 1 | |
| 42 | 00 0625 725 0 | SPACER TUBE | | 1 | |
| 43 | 00 0625 724 0 | SHIM | | 1 | |
| 44 | 00 0625 814 0 | HANDLE, EXTERIOR | | 1 | |
| 45 | 00 0013 142 0 | MASTER KEY | | 1 | |
| 46 | 00 0625 902 0 | ANGLE | 1,5X53X1334 | 1 | |
| 47 | 00 0237 928 0 | HEXAGONAL NUT | M 8 | 1 | |
| 48 | 00 0238 132 0 | LOCK NUT | M8 | 1 | |
| 49 | 00 0239 393 1 | CONTACT WASHER | B 8 -8.2X22X1,9 | 1 | |
| 50 | 00 0216 057 0 | COUNTERSUNK BOLT | M 6X 20 | 3 | |
| 51 | 00 0069 540 1 | ROLLER BLIND | | 1 | 4) |

CAB, SIDE PANEL, L.H. - DOOR

| Pos. | Part No. | Description | Dimension | Quantity | Conditions |
|-----------|----------------------|-------------|--------------------|----------|------------|
| 52 | 00 0069 542 0 | SPRING HOOK | | 1 | 4) |
| 1) | Remarks | | 4700 mm long | | |
| 2) | Remarks | | from No. 56600830 | | |
| 3) | Remarks | | up to No. 56600829 | | |
| 4) | Remarks | | option | | |

7

01160750



116380/02

CAB, ROOF

| Pos. | Part No. | Description | Dimension | Quantity | Conditions |
|------|----------------------|-------------------|-----------------------------|----------|------------|
| 1 | 00 0354 370 0 | ROOF HOOD | | 1 | 1) |
| 1 | 00 0350 884 0 | ROOF HOOD | | 1 | 2) |
| 2 | 00 0625 685 0 | HOOD HOLDER | | 1 | |
| 3 | 00 0636 792 1 | COACH BOLT | M6X 16 | 2 | |
| 3 | 00 0236 169 0 | HEXAGONAL NUT | M6 | 2 | |
| 3 | 00 0239 392 0 | CONTACT WASHER | B 6 -6X18X1,4 | 2 | |
| 4 | 00 0013 731 0 | WORK LIGHT | | 2 | 3) |
| 4 | 00 0625 914 0 | WORK LIGHT | | 2 | 4) |
| 4 | 00 0238 091 0 | LAMP | | 2 | |
| 5 | 00 0215 502 0 | COVER CAP | 27,0-33,0 | 2 | |
| 6 | 00 0215 720 0 | FILL.HEAD SCREW | ST4,2X13-C-KFR-Z | 1 | |
| 7 | 00 0351 552 0 | HEADLIGHT PANEL | 1,5X90X174 | 1 | |
| 8 | 00 0515 309 1 | STICKER | CATERPILLAR, KABINE - 69 | 1 | |
| 9 | 00 0216 453 0 | LAMP | | 2 | 1) |
| 9 | 00 0238 091 0 | LAMP | | 2 | 2) |
| 10 | 00 0014 531 0 | WORKING LIGHT | | 2 | 1) |
| 10 | 00 0625 719 0 | HEADLIGHTS | | 2 | 2) |
| 11 | 00 0625 642 0 | HINGE | | 2 | |
| 12 | 00 0239 392 0 | CONTACT WASHER | B 6 -6X18X1,4 | 4 | |
| 13 | 00 0237 466 0 | HEXAGON HEAD BOLT | M06X20 | 4 | |
| 14 | 00 0622 781 1 | GAS SPRING BEAR. | | 2 | |
| 15 | 00 0636 792 1 | COACH BOLT | M6X 16 | 4 | |
| 15 | 00 0236 169 0 | HEXAGONAL NUT | M6 | 4 | |
| 15 | 00 0239 392 0 | CONTACT WASHER | B 6 -6X18X1,4 | 4 | |
| 16 | 00 0244 378 0 | HEXAGON HEAD BOLT | M 8X25 | 2 | |
| 17 | 00 0236 170 0 | HEXAGONAL NUT | M8 | 2 | |
| 18 | 00 0238 132 0 | LOCK NUT | M8 | 2 | |
| 19 | 00 0625 695 0 | GAS SPRING | | 1 | 5) |
| 19 | 00 0625 696 0 | GAS SPRING | | 1 | 6) |
| 20 | 00 0625 643 0 | GUSSET PLATE L.H. | | 1 | 5) |
| 20 | 00 0625 644 0 | GUSSET PLATE R.H. | | 1 | 6) |
| 21 | 00 0237 466 0 | HEXAGON HEAD BOLT | M06X20 | 4 | |
| 21 | 00 0239 392 0 | CONTACT WASHER | B 6 -6X18X1,4 | 4 | |
| 22 | 00 0625 694 0 | LIP PROFILE | CLAMPING WIDT 3-4MM | 2 | 7) |
| 23 | 00 0216 447 0 | NUT | ST3,9 - 3,0-4,0 | 8 | 1) |
| 23 | 00 0215 738 0 | NUT | ST4,2 - 3,0-4,5 | 8 | 2) |
| 24 | 00 0636 792 1 | COACH BOLT | M6X 16 | 4 | |
| 24 | 00 0236 169 0 | HEXAGONAL NUT | M6 | 4 | |
| 24 | 00 0239 392 0 | CONTACT WASHER | B 6 -6X18X1,4 | 4 | |
| 25 | 00 0351 552 0 | HEADLIGHT PANEL | 1,5X90X174 | 2 | 8) |
| 26 | 00 0215 720 0 | FILL.HEAD SCREW | ST4,2X13-C-KFR-Z | 4 | 8) |
| 27 | 00 0546 589 0 | HEADLIGHT PANEL | | 1 | 9) |
| 27 | 00 0546 591 0 | HEADLIGHT PANEL | | 1 | 10) |
| 28 | 00 0636 792 1 | COACH BOLT | M6X 16 | 4 | 11) |
| 28 | 00 0239 392 0 | CONTACT WASHER | B 6 -6X18X1,4 | 4 | 11) |
| 28 | 00 0236 169 0 | HEXAGONAL NUT | M6 | 4 | 11) |
| 29 | 00 0354 386 0 | GRAIN TANK COVER | 1620X176X30 | 1 | 11) |

1) Remarks from No. 56600800

2) Remarks up to No. 56600799

3) Remarks from No. 56600539

Thank you so much for reading.
Please click the “Buy Now!”
button below to download the
complete manual.



After you pay.

You can download the most
perfect and complete manual in
the world immediately.

Our support email:

ebooklibonline@outlook.com