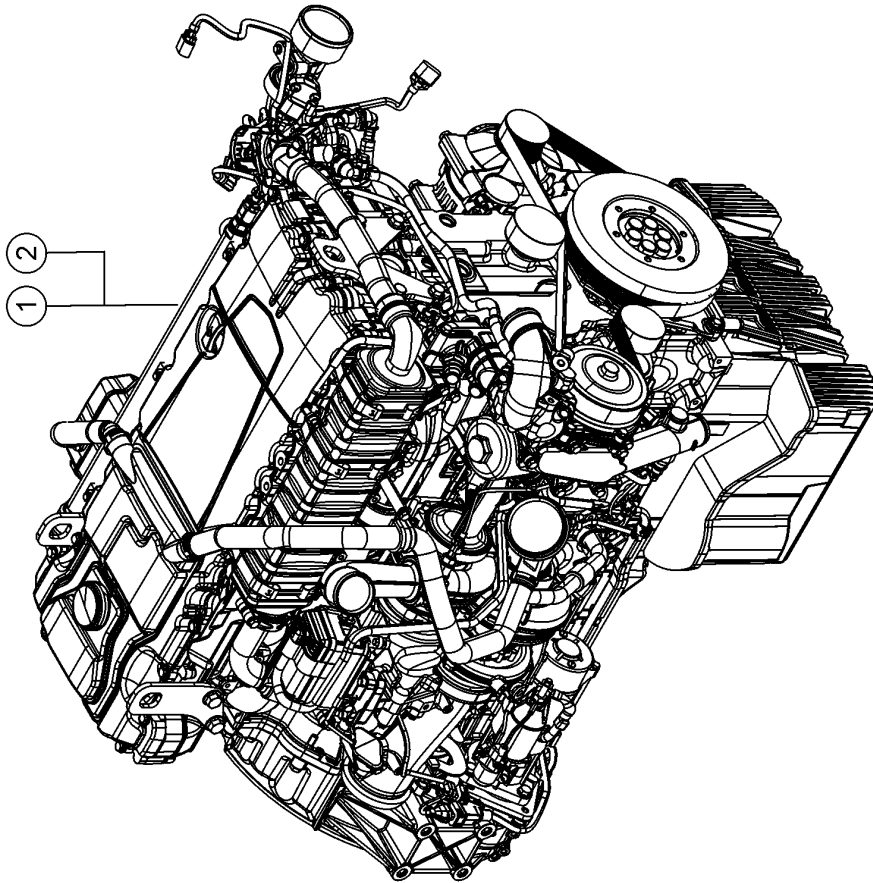


E0374 0102A010A 1



010 COMPLETE ENGINE

Pos.	Part No.	Description	Dimension	Quantity	Conditions
1	00 0773 935 2	ENGINE	OM936LA 260KW STAGE IV	1	1)
1	00 1984 854 0	ENGINE	REMAN OM 936 LA 260KW T4	1	2)
1	00 1984 862 0	ENGINE	REMAN OM 936 LA 260KW T4	1	3)
1	00 0773 936 3	ENGINE	OM936LA 260KW STAGE IV	1	4)
1	00 1984 856 0	ENGINE	REMAN OM 936 LA 260KW T4	1	5)
1	00 1984 864 0	ENGINE	REMAN OM 936 LA 260KW T4	1	6)
1	00 0781 103 3	ENGINE	OM470LA 300KW TIER4F	1	7)
1	00 1984 750 0	ENGINE	REMAN OM 470 LA 300KW T4	1	8)
1	00 1984 701 0	ENGINE	REMAN OM 470 LA 300KW TI	1	9)
1	00 0781 104 3	ENGINE	OM470LA 300KW TIER4F	1	10)
1	00 1984 770 0	ENGINE	REMAN OM 470 LA 300KW T4	1	11)
1	00 1984 768 0	ENGINE	REMAN OM 470 LA 300KW T4	1	12)
1	00 0781 105 3	ENGINE	OM470LA 320KW TIER4F	1	13)
1	00 1984 776 0	ENGINE	REMAN OM 470 LA 320KW T4	1	14)
1	00 1984 778 0	ENGINE	REMAN OM 470 LA 320KW T4	1	15)
1	00 0781 106 3	ENGINE	OM470LA 320KW TIER4F	1	16)
1	00 1984 772 0	ENGINE	REMAN OM 470 LA 320KW T4	1	17)
1	00 1984 774 0	ENGINE	REMAN OM 470 LA 320KW T4	1	18)
1	00 2599 952 0	ENGINE	1506D 251KW ECE R120 T3	1	19)
1	00 2599 953 0	ENGINE	1506D 251KW ECE R120 T3	1	20)
1	00 2599 954 0	ENGINE	2206D 308KW ECE R120 T3	1	21)
1	00 2599 955 0	ENGINE	2206D 308KW ECE R120 T3	1	22)
2	00 2644 197 0	ENGINE	OM936LA 260KW E4 SE	1	23)
2	00 2644 205 0	ENGINE	OM936LA 260KW E4 SE	1	24)
2	00 2643 870 0	ENGINE	OM470LA 300KW E4 SE	1	25)
2	00 2643 887 0	ENGINE	OM470LA 320KW E4 SE	1	26)
2	00 2643 878 0	ENGINE	OM470LA 320KW E4 SE	1	27)
2	00 2643 700 0	ENGINE	OM470LA 300KW E4 SE	1	28)
2	00 0799 882 0	ENGINE	C9 232KW, 2100RPM, LRC	1	29)
2	00 0799 883 0	ENGINE	C9 232KW, 2100RPM, LRC	1	30)

1) Equipment

machine no.

MD_P02_0786

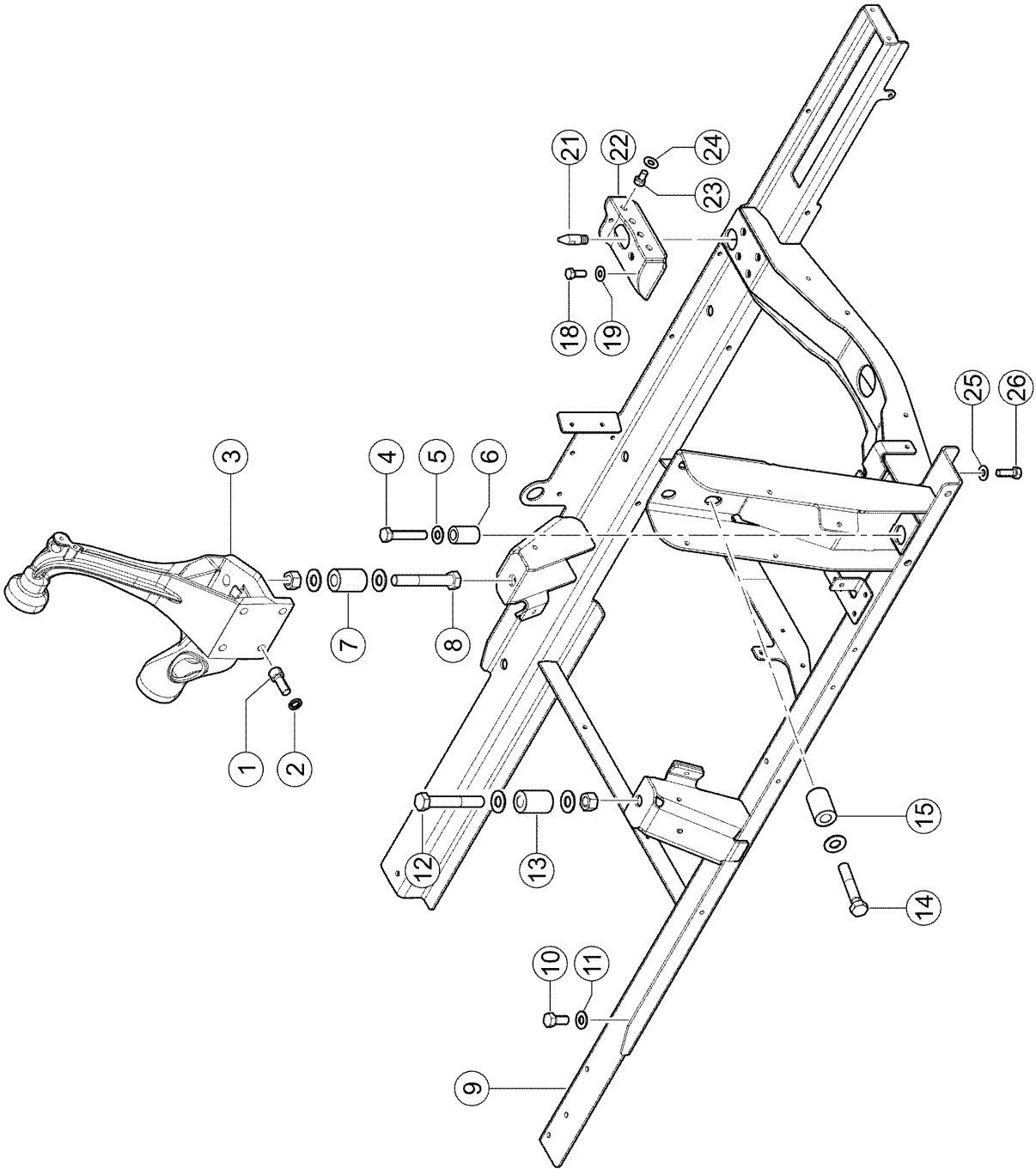
Mercedes-Benz OM936 LA - 260 kW/354 hp (T4)
+ up to C7401960

010 COMPLETE ENGINE

2) Equipment		
Remarks	MD_P02_0786	Mercedes-Benz OM936 LA - 260 kW/354 hp (T4) Exchange / Reman; not for US
3) Equipment		
Remarks	MD_P02_0786	Mercedes-Benz OM936 LA - 260 kW/354 hp (T4) Exchange / Reman; for USA
4) Equipment		
machine no.	MD_P02_0787	Mercedes-Benz OM936 LA - 260 kW/354 hp (T4) with air compressor + up to C7401960
5) Equipment		
Remarks	MD_P02_0787	Mercedes-Benz OM936 LA - 260 kW/354 hp (T4) with air compressor Exchange / Reman; not for US
6) Equipment		
Remarks	MD_P02_0787	Mercedes-Benz OM936 LA - 260 kW/354 hp (T4) with air compressor Exchange / Reman; for USA
7) Equipment		
machine no.	MD_P02_0764	Mercedes-Benz OM470 LA - 300 kW/408 hp (T4) + up to C7401927
8) Equipment		
Remarks	MD_P02_0764	Mercedes-Benz OM470 LA - 300 kW/408 hp (T4) Exchange / Reman; not for US
9) Equipment		
Remarks	MD_P02_0764	Mercedes-Benz OM470 LA - 300 kW/408 hp (T4) Exchange / Reman; for USA
10) Equipment		
machine no.	MD_P02_0765	Mercedes-Benz OM470 LA - 300 kW/408 hp (T4) with air compressor + up to C7401927
11) Equipment		
Remarks	MD_P02_0765	Mercedes-Benz OM470 LA - 300 kW/408 hp (T4) with air compressor Exchange / Reman; not for US
12) Equipment		
Remarks	MD_P02_0765	Mercedes-Benz OM470 LA - 300 kW/408 hp (T4) with air compressor Exchange / Reman; for USA
13) Equipment		
machine no.	MD_P02_0766	Mercedes-Benz OM470 LA - 320 kW/435 hp (T4) + up to C7401995
14) Equipment		
Remarks	MD_P02_0766	Mercedes-Benz OM470 LA - 320 kW/435 hp (T4) Exchange / Reman; not for US
15) Equipment		
Remarks	MD_P02_0766	Mercedes-Benz OM470 LA - 320 kW/435 hp (T4) Exchange / Reman; for USA
16) Equipment		
machine no.	MD_P02_0767	Mercedes-Benz OM470 LA - 320 kW/435 hp (T4) with air compressor + up to C7401995
17) Equipment		
Remarks	MD_P02_0767	Mercedes-Benz OM470 LA - 320 kW/435 hp (T4) with air compressor Exchange / Reman; not for US
18) Equipment		
Remarks	MD_P02_0767	Mercedes-Benz OM470 LA - 320 kW/435 hp (T4) with air compressor Exchange / Reman; for USA
19) Equipment		
	MD_P02_0842	Perkins 1506D ECE R120 251KW T3
20) Equipment		
	MD_P02_0843	Perkins 1506D K ECE R120 251KW T3 with air compressor

010 COMPLETE ENGINE

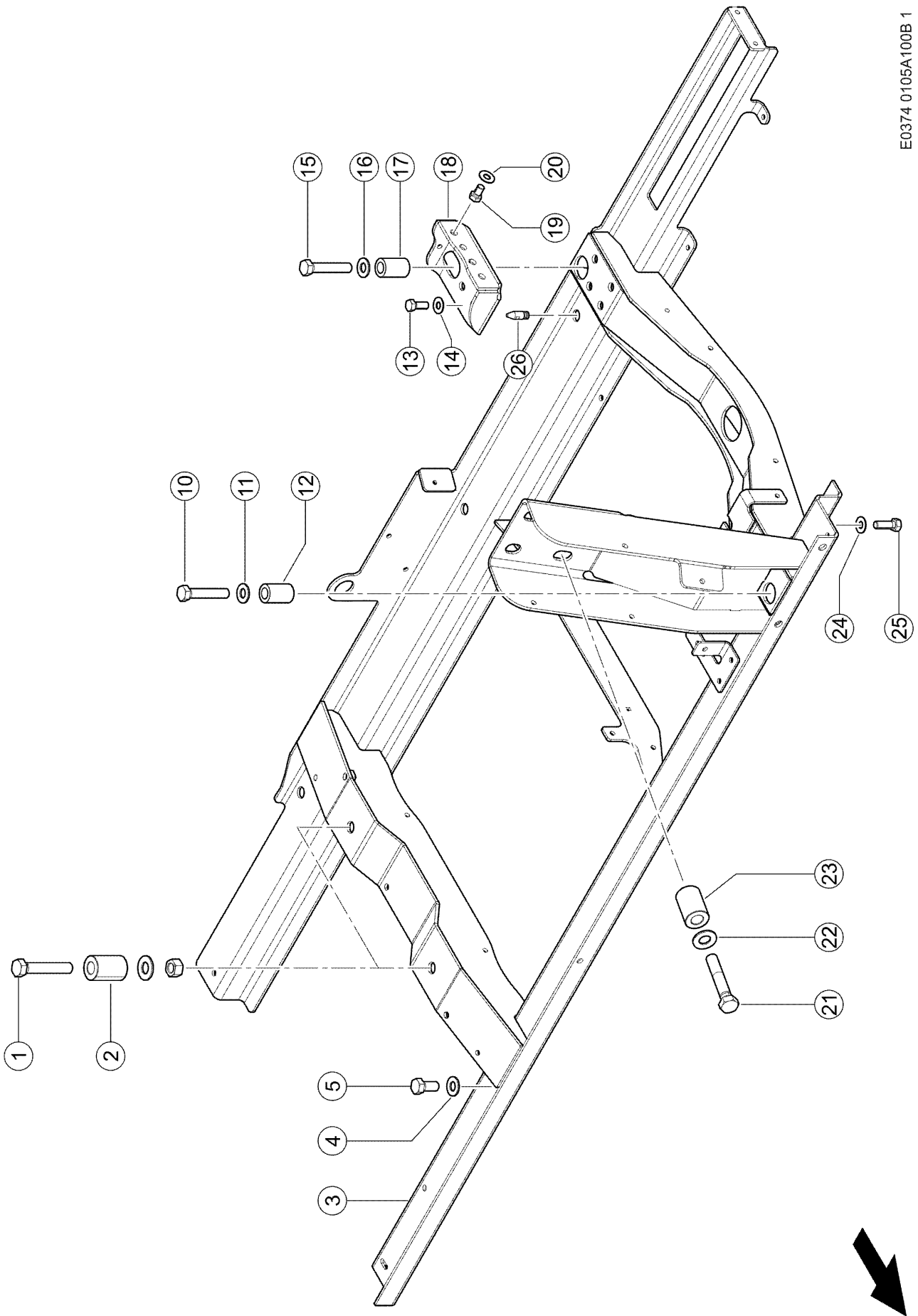
21) Equipment	MD_P02_0850	Perkins 2206D ECE R120 308KW T3
22) Equipment	MD_P02_0851	Perkins 2206D K ECE R120 308KW T3 with air compressor
23) Equipment machine no.	MD_P02_0786	Mercedes-Benz OM936 LA - 260 kW/354 hp (T4) + from C7401961
24) Equipment machine no.	MD_P02_0787	Mercedes-Benz OM936 LA - 260 kW/354 hp (T4) with air compressor + from C7401961
25) Equipment machine no.	MD_P02_0765	Mercedes-Benz OM470 LA - 300 kW/408 hp (T4) with air compressor + from C7401928
26) Equipment machine no.	MD_P02_0767	Mercedes-Benz OM470 LA - 320 kW/435 hp (T4) with air compressor + from C7401996
27) Equipment machine no.	MD_P02_0766	Mercedes-Benz OM470 LA - 320 kW/435 hp (T4) + from C7401996
28) Equipment machine no.	MD_P02_0764	Mercedes-Benz OM470 LA - 300 kW/408 hp (T4) + from C7401928
29) Equipment	MD_P02_0652	C9 ECE R120 251 kW@1700-1800rpm Tier3 / Stage III
30) Equipment	MD_P02_0653	C9 DL compr. ECE R120 251 kW@1700-1800rpm Tier3 / Stage III



100 ENGINE SUSPENSION 1)

Pos.	Part No.	Description	Dimension	Quantity	Conditions
1	00 0214 367 0	SOCKET HEAD SCREW	M16X 40	4	
2	00 0215 291 1	WASHER	16 -16,2X24,6X3,5	4	
3	00 0796 942 1	ENGINE SUPPORT		1	
4	00 0239 415 0	HEXAGON HEAD BOLT	M16X85	2	2)
4	00 0239 415 0	HEXAGON HEAD BOLT	M16X85	1	3)
5	00 0239 391 0	CONTACT WASHER	A16	2	2)
5	00 0239 391 0	CONTACT WASHER	A16	1	3)
6	00 0796 273 0	BUSHING	D32/D18X50	2	2)
6	00 0796 273 0	BUSHING	D32/D18X50	1	3)
7	00 0796 231 0	BUSHING	D42D20.5X62	1	
8	00 0211 186 0	HEXAGON HEAD BOLT	M20X130	1	
8	00 0212 191 0	CONTACT WASHER	A20	2	
8	00 0237 521 0	HEX.NUT	M20	1	
9	00 0799 387 3	ENGINE MOUNTING		1	
10	00 0236 230 0	HEXAGON HEAD BOLT	M16X35	6	
11	00 0239 391 0	CONTACT WASHER	A16	6	
12	00 0211 186 0	HEXAGON HEAD BOLT	M20X130	1	
12	00 0212 191 0	CONTACT WASHER	A20	2	
12	00 0237 521 0	HEX.NUT	M20	1	
13	00 0796 231 0	BUSHING	D42D20.5X62	1	
14	00 0215 631 0	HEXAGON HEAD BOLT	3/4-10UNC-2AX4 1/2	4	
14	00 0212 191 0	CONTACT WASHER	A20	4	
15	00 0796 231 0	BUSHING	D42D20.5X62	4	
18	00 0237 461 0	HEXAGON HEAD BOLT	M12X30	4	
19	00 0239 389 0	CONTACT WASHER	A12	4	
21	00 2598 319 0	THREADED BOLT		1	3)
22	00 0799 297 0	SUPPORT	6X171,6X271,6	1	
23	00 0237 458 0	HEXAGON HEAD BOLT	M12X20	4	
24	00 0239 389 0	CONTACT WASHER	A12	4	
25	00 0239 389 0	CONTACT WASHER	A12	1	
26	00 0211 465 0	HEX.HEAD BOLT	1/2-13UNC-2AX1 1/2	1	

1) EquipmentMD_P02_0652
MD_P02_0653C9 ECE R120 251 kW@1700-1800rpm Tier3 / Stage III
C9 DL compr. ECE R120 251 kW@1700-1800rpm Tier3 / Stage III**2) machine no.**+ from C7000011 up to C7000022
+ from C7400011 up to C7400271**3) machine no.**+ from C7000023 up to C7099999
+ from C7400272 up to C7499999

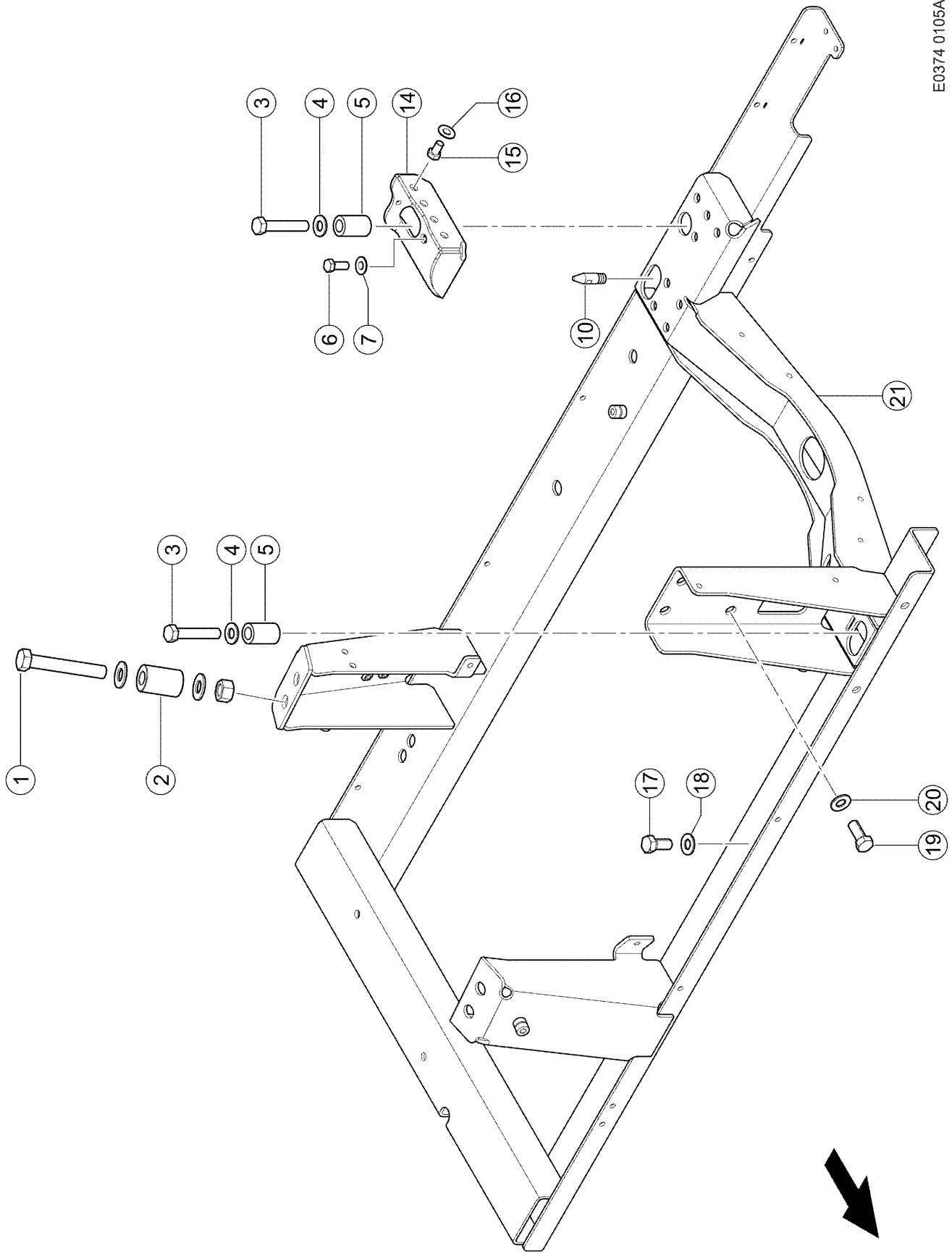


100 ENGINE SUSPENSION 1)

Pos.	Part No.	Description	Dimension	Quantity	Conditions
1	00 0211 573 0	HEXAGON HEAD BOLT	M18-100	2	
1	00 0212 191 0	CONTACT WASHER	A20	4	
1	00 0242 848 0	HEXAGONAL NUT	M18	2	
2	00 0796 231 0	BUSHING	D42D20.5X62	2	
3	00 0799 383 3	ENGINE MOUNTING		1	
4	00 0239 391 0	CONTACT WASHER	A16	6	2)
4	00 0239 391 0	CONTACT WASHER	A16	5	3)
5	00 0236 230 0	HEXAGON HEAD BOLT	M16X35	6	2)
5	00 0236 230 0	HEXAGON HEAD BOLT	M16X35	5	3)
10	00 0239 415 0	HEXAGON HEAD BOLT	M16X85	1	
11	00 0239 391 0	CONTACT WASHER	A16	1	
12	00 0796 273 0	BUSHING	D32/D18X50	1	
13	00 0237 461 0	HEXAGON HEAD BOLT	M12X30	4	
14	00 0239 389 0	CONTACT WASHER	A12	4	
15	00 0239 415 0	HEXAGON HEAD BOLT	M16X85	1	
16	00 0239 391 0	CONTACT WASHER	A16	1	
17	00 0796 273 0	BUSHING	D32/D18X50	1	
18	00 0799 297 0	SUPPORT	6X171,6X271,6	1	
19	00 0237 458 0	HEXAGON HEAD BOLT	M12X20	4	
20	00 0239 389 0	CONTACT WASHER	A12	4	
21	00 0215 631 0	HEXAGON HEAD BOLT	3/4-10UNC-2AX4 1/2	4	
22	00 0212 191 0	CONTACT WASHER	A20	4	
23	00 0796 231 0	BUSHING	D42D20.5X62	4	
24	00 0239 389 0	CONTACT WASHER	A12	1	
25	00 0211 465 0	HEX.HEAD BOLT	1/2-13UNC-2AX1 1/2	1	
26	00 2598 319 0	THREADED BOLT		1	3)

1) EquipmentMD_P02_0266
MD_P02_0267C13 ECE R120 308 kW@1700 rpm Tier3 / Stage III
C13 DL compr. ECE R120 308KW@1700 rpm Tier3 / Stage III**2) machine no.**+ from C7000011 up to C7000022
+ from C7400011 up to C7400271**3) machine no.**+ from C7000023 up to C7099999
+ from C7400272 up to C7499999

E0374 0105A100C-1



100 ENGINE SUSPENSION 1)

Pos.	Part No.	Description	Dimension	Quantity	Conditions
1	00 0211 186 0	HEXAGON HEAD BOLT	M20X130	4	
1	00 0212 191 0	CONTACT WASHER	A20	8	
1	00 0237 521 0	HEX.NUT	M20	4	
2	00 0796 231 0	BUSHING	D42D20.5X62	4	
3	00 0239 415 0	HEXAGON HEAD BOLT	M16X85	3	2)
3	00 0239 415 0	HEXAGON HEAD BOLT	M16X85	2	3)
4	00 0239 391 0	CONTACT WASHER	A16	3	2)
4	00 0239 391 0	CONTACT WASHER	A16	2	3)
5	00 0796 273 0	BUSHING	D32/D18X50	3	2)
5	00 0796 273 0	BUSHING	D32/D18X50	2	3)
6	00 0237 461 0	HEXAGON HEAD BOLT	M12X30	4	
7	00 0239 389 0	CONTACT WASHER	A12	4	
10	00 2598 319 0	THREADED BOLT		1	3)
14	00 0780 897 0	SUPPORT	6X171X271	1	
15	00 0237 458 0	HEXAGON HEAD BOLT	M12X20	4	
16	00 0239 389 0	CONTACT WASHER	A12	4	
17	00 0236 230 0	HEXAGON HEAD BOLT	M16X35	5	
18	00 0239 391 0	CONTACT WASHER	A16	5	
19	00 0233 066 0	HEXAGON HEAD BOLT	M16X1,5X 40	4	
20	00 0239 391 0	CONTACT WASHER	A16	4	
21	00 0780 944 7	ENGINE MOUNTING	OM470LA	1	

1) Equipment

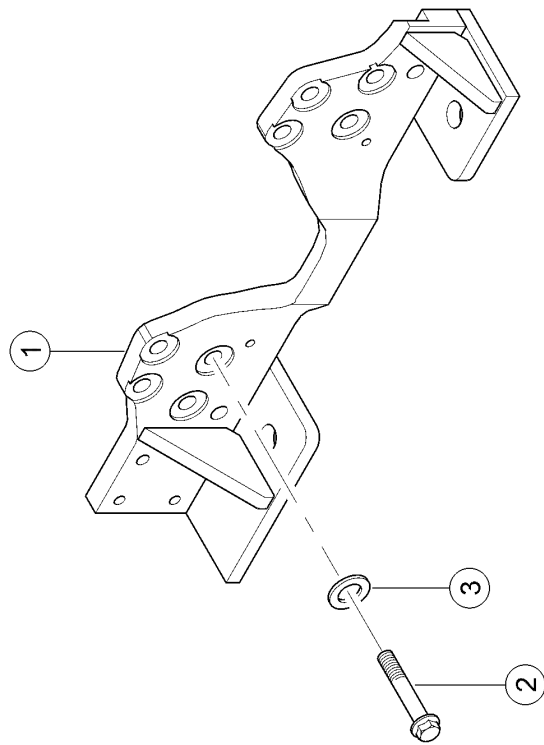
MD_P02_0764	Mercedes-Benz OM470 LA - 300 kW/408 hp (T4)
MD_P02_0765	Mercedes-Benz OM470 LA - 300 kW/408 hp (T4) with air compressor
MD_P02_0766	Mercedes-Benz OM470 LA - 320 kW/435 hp (T4)
MD_P02_0767	Mercedes-Benz OM470 LA - 320 kW/435 hp (T4) with air compressor

2) machine no.

+ from C7000011 up to C7000022
+ from C7400011 up to C7400271

3) machine no.

+ from C7000023 up to C7099999
+ from C7400272 up to C7499999

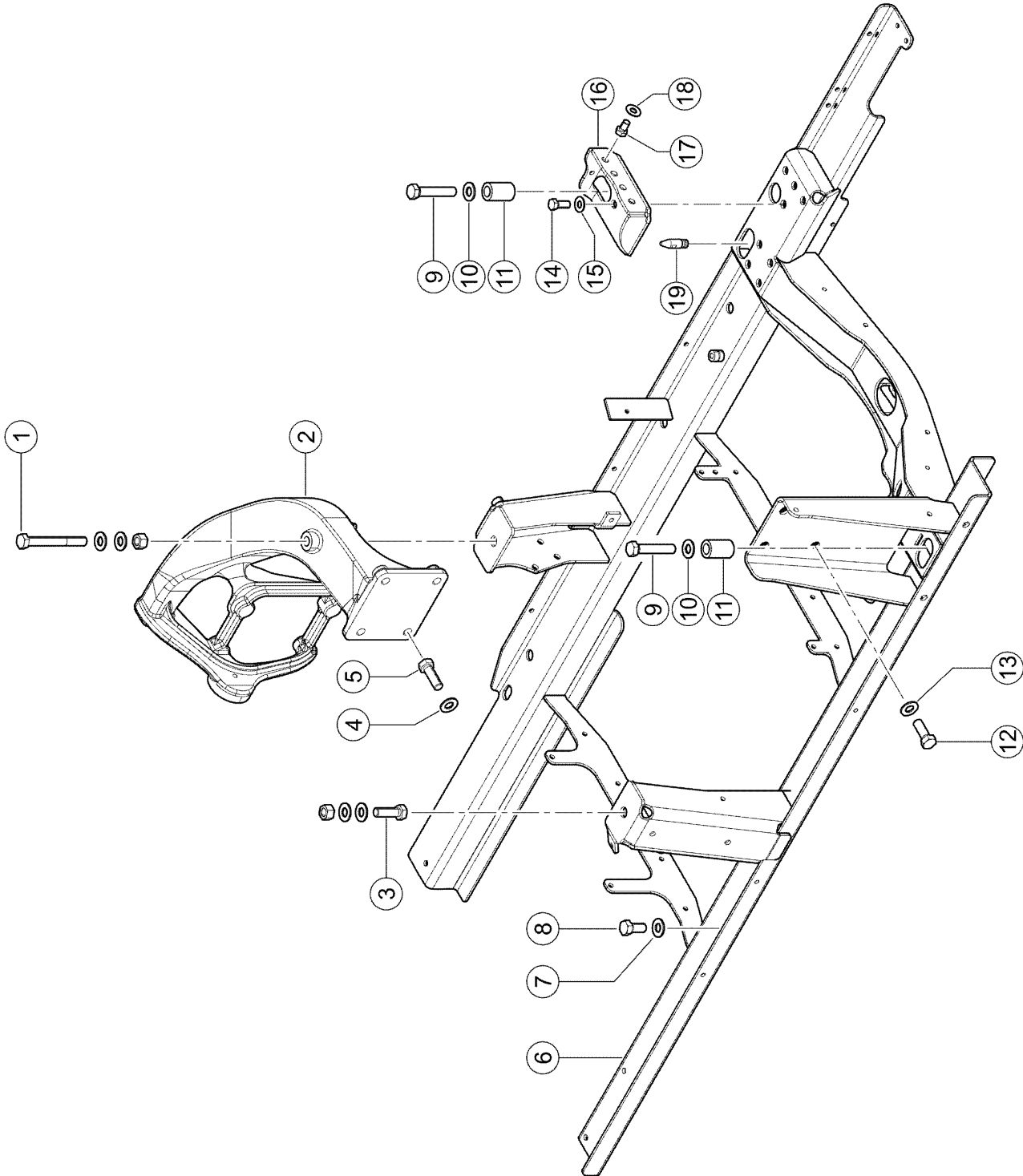


100 ENGINE SUSPENSION 1)

Pos.	Part No.	Description	Dimension	Quantity	Conditions
1	00 1998 944 0	SUSPENSION		1	
2	00 1999 239 0	SCREW		8	
3	00 1999 248 0	WASHER		8	

1) Equipment

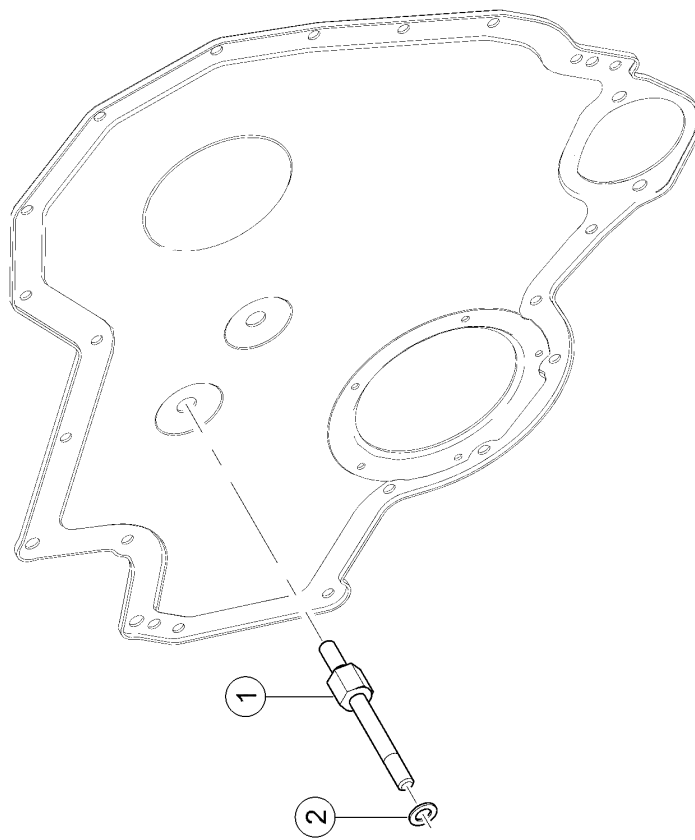
MD_P02_0764	Mercedes-Benz OM470 LA - 300 kW/408 hp (T4)
MD_P02_0765	Mercedes-Benz OM470 LA - 300 kW/408 hp (T4) with air compressor
MD_P02_0766	Mercedes-Benz OM470 LA - 320 kW/435 hp (T4)
MD_P02_0767	Mercedes-Benz OM470 LA - 320 kW/435 hp (T4) with air compressor



100 ENGINE SUSPENSION 1)

Pos.	Part No.	Description	Dimension	Quantity	Conditions
1	00 0237 888 0	HEXAGON HEAD BOLT	M16X130	1	
1	00 0239 391 0	CONTACT WASHER	A16	2	
1	00 0236 173 0	HEXAGONAL NUT	M16	1	
2	00 2599 230 0	ENGINE SUPPORT	OM936	1	
3	00 0233 095 0	HEXAGON HEAD BOLT	M16X65	1	
3	00 0239 391 0	CONTACT WASHER	A16	2	
3	00 0236 173 0	HEXAGONAL NUT	M16	1	
4	00 0239 391 0	CONTACT WASHER	A16	4	
5	00 0218 100 0	HEXAGON HEAD BOLT	M16X1,5X50	4	
6	00 0780 901 4	ENGINE MOUNTING		1	
7	00 0239 391 0	CONTACT WASHER	A16	9	
8	00 0236 230 0	HEXAGON HEAD BOLT	M16X35	9	
9	00 0239 415 0	HEXAGON HEAD BOLT	M16X85	3	2)
9	00 0239 415 0	HEXAGON HEAD BOLT	M16X85	2	3)
10	00 0239 391 0	CONTACT WASHER	A16	3	2)
10	00 0239 393 1	CONTACT WASHER	B 8 -8.2X22X1,9	2	3)
11	00 0796 273 0	BUSHING	D32/D18X50	3	2)
11	00 0796 273 0	BUSHING	D32/D18X50	2	3)
12	00 0328 987 0	HEX. SOCKET CHEESE-HEAD SCREW	M16X1,5 X50	4	
13	00 0239 391 0	CONTACT WASHER	A16	4	
14	00 0237 461 0	HEXAGON HEAD BOLT	M12X30	4	
15	00 0239 389 0	CONTACT WASHER	A12	4	
16	00 0780 897 0	SUPPORT	6X171X271	1	
17	00 0237 458 0	HEXAGON HEAD BOLT	M12X20	4	
18	00 0239 389 0	CONTACT WASHER	A12	4	
19	00 2598 319 0	THREADED BOLT		1	3)

1) EquipmentMD_P02_0786
MD_P02_0787Mercedes-Benz OM936 LA - 260 kW/354 hp (T4)
Mercedes-Benz OM936 LA - 260 kW/354 hp (T4) with air compressor**2) machine no.**+ from C7000011 up to C7000022
+ from C7400011 up to C7400271**3) machine no.**+ from C7000023 up to C7099999
+ from C7400272 up to C7499999



Thank you so much for reading.
Please click the “Buy Now!”
button below to download the
complete manual.



After you pay.

You can download the most
perfect and complete manual in
the world immediately.

Our support email:

ebooklibonline@outlook.com