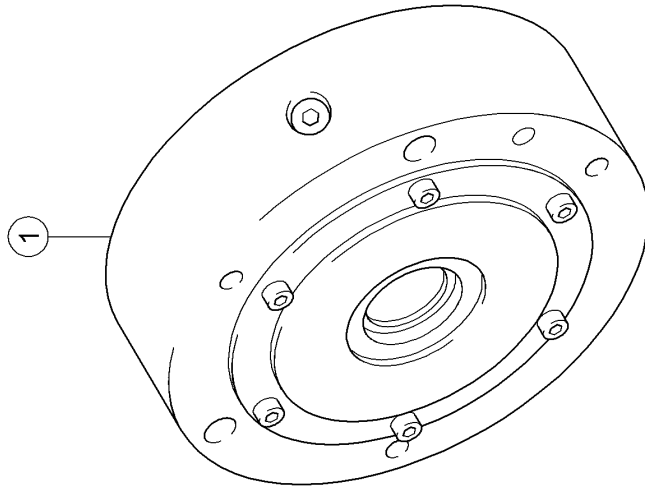


E0218 0215A200A 1

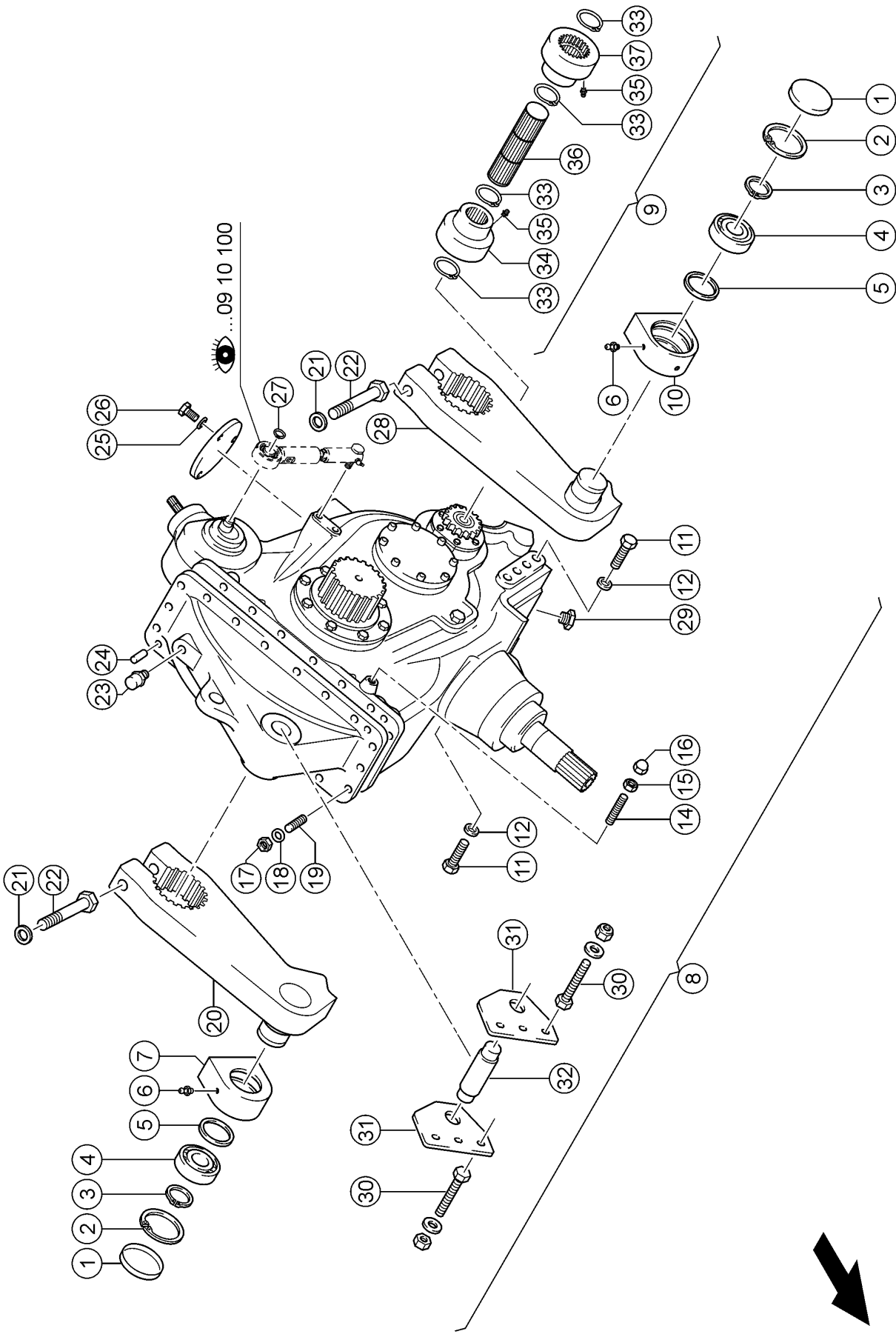
**200 OVERLOAD CLUTCH**

<b>Pos.</b>	<b>Part No.</b>	<b>Description</b>	<b>Dimension</b>	<b>Quantity</b>	<b>Conditions</b>
1	<b>00 0846 204 0</b>	FRICION CLUTCH		1	
2	<b>00 0828 171 0</b>	ADJUSTING RING		1	
3	<b>00 0828 172 0</b>	SPRING KIT		1	
4	<b>00 0828 173 0</b>	FRICION PLATE		4	
5	<b>00 0828 174 0</b>	DRIVE PLATE		1	
6	<b>00 0828 175 0</b>	DRIVE PLATE		1	
7	<b>00 0921 795 0</b>	SEALING RING		1	
8	<b>00 0235 186 0</b>	CIRCLIP	72X2,5	1	
9	<b>00 0828 176 0</b>	WASHER		1	
10	<b>00 0828 177 0</b>	HUB		1	
11	<b>00 0941 080 0</b>	FLAT SPRING		2	
12	<b>00 0814 764 0</b>	STOP KEY		2	
13	<b>00 0828 178 0</b>	COUPLER		1	
14	<b>00 0234 388 0</b>	BACK-UP WASHER	S 56X 72	1	
15	<b>00 0235 186 0</b>	CIRCLIP	72X2,5	1	
16	<b>00 0215 308 1</b>	RADIAL SEAL RING	ASWFLD 55X80X 8	1	
17	<b>00 0941 110 0</b>	RING		1	
18	<b>00 0850 104 0</b>	CLUTCH HOUSING	EK97/4R TK248/13	1	



**200 OVERLOAD CLUTCH**

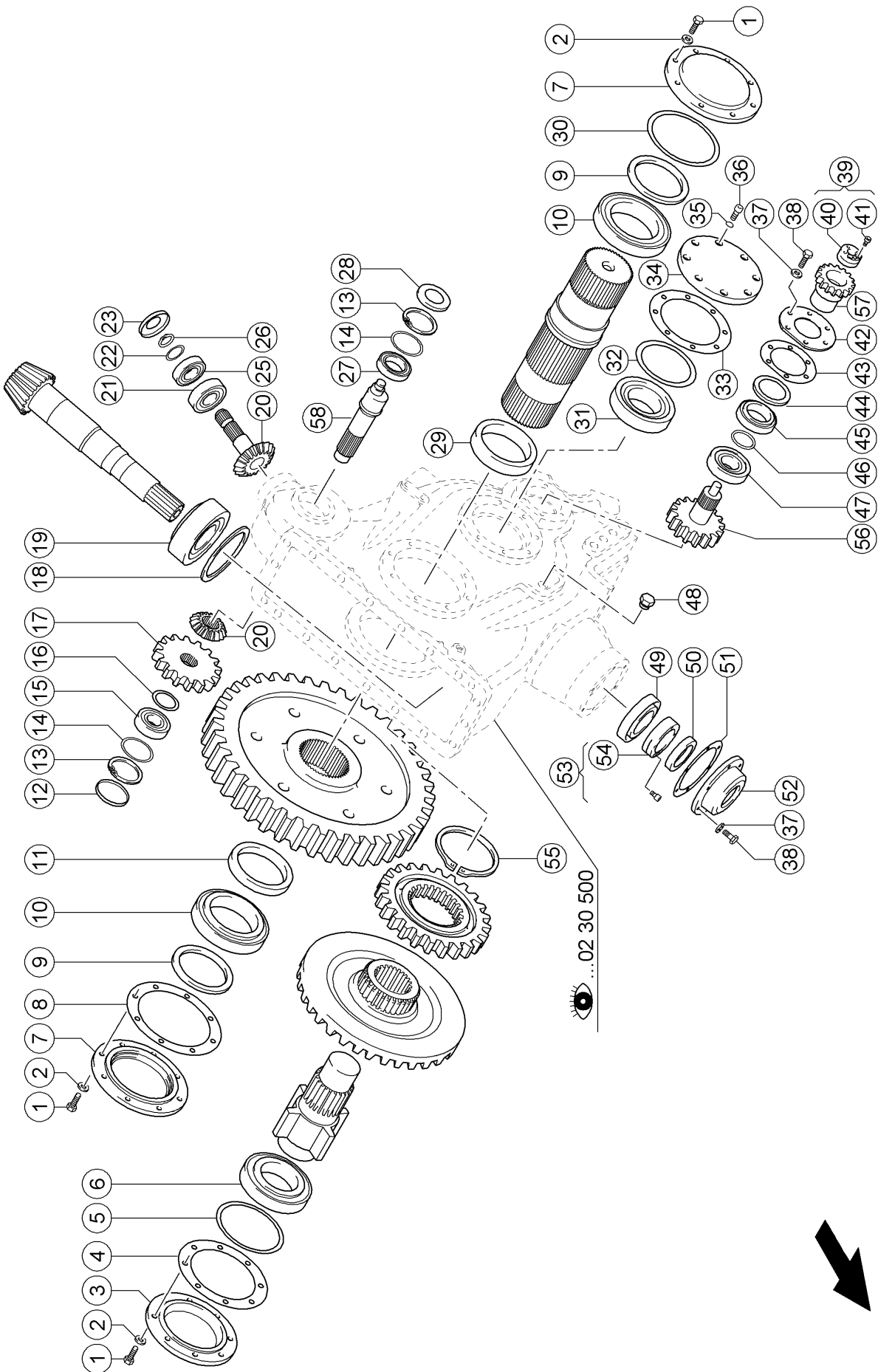
<b>Pos.</b>	<b>Part No.</b>	<b>Description</b>	<b>Dimension</b>	<b>Quantity</b>	<b>Conditions</b>
1	<b>00 0832 053 2</b>	OVERLOAD CLUTCH		1	1)
1	<b>00 0846 206 0</b>	OVERLOAD CLUTCH		1	2)
<b>1)</b>	<b>machine no.</b>				+ from 74100239
<b>2)</b>	<b>machine no.</b>				+ up to 74100238



## 500 MAIN GEARBOX

Pos.	Part No.	Description	Dimension	Quantity	Conditions
1	00 0214 037 0	LOCK CAP	125X12	2	
2	00 0243 064 0	CIRCLIP	125X4	2	
3	00 0235 172 0	CIRCLIP	70X2,5	2	
4	00 0243 618 0	SPHERICAL ROLLER BEARING	22214 EAW33	2	
5	00 0233 932 0	SHAFT SEAL	AS 80X100X10	2	
6	00 0244 948 0	GREASE NIPPLE	C M8X1	2	
7	00 0850 554 0	BEARING BOX		1	
8	00 0846 190 0	MAIN GEARBOX	I=19,5;6,5;2,17	1	
8	00 0178 394 0	MAIN GEARBOX	AT - HAUPTGETRIEBE -1 Q21	-1	1)
8	00 0850 126 0	SHAFT		1	2)
9	00 0846 199 0	CONNECTING SHAFT	488812602002	1	
10	00 0863 810 0	BEARING BOX	D125 - MONTIERT	1	3)
10	00 0833 850 0	BEARING BOX	D125	1	4)
11	00 0242 478 0	HEXAGON HEAD BOLT	M20X50	8	
12	00 0212 191 0	CONTACT WASHER	A20	8	
14	00 0850 092 0	THREADED ROD	M12X50	1	
15	00 0236 172 0	HEXAGONAL NUT	M12	1	
16	00 0211 370 0	CAP NUT	M12-SW18	1	
17	00 0235 610 0	CASTELLATED NUT	M16	18	
18	00 0850 137 0	LOCK WASHER		18	
19	00 0850 575 0	STUD BOLT	M14 X48X C12.9	2	
19	00 0850 576 0	STUD BOLT	M14 X40X C12.9	16	
20	00 0850 551 0	CRANK	RECHTS	1	
21	00 0850 139 0	CIRCLIP		2	
22	00 0850 141 0	HEXAGON HEAD SCREW		2	
23	00 0841 823 0	FILTER	A-M24X2	1	
24	00 0850 135 0	CYLINDRICAL PIN		2	
25	00 0850 136 0	LOCK WASHER		3	
26	00 0239 252 0	HEXAGON HEAD BOLT	M12X30-SC	3	
27	00 0244 216 0	CIRCLIP	25X2	1	
28	00 0850 572 0	CRANK	LINKS	1	
29	00 0850 563 0	MAGNETIC FILTER BOLT	M24X2	1	
30	00 0235 554 0	HEXAGON HEAD BOLT	M12X50	6	
30	00 0239 389 0	CONTACT WASHER	A12	6	
30	00 0238 234 0	LOCK NUT	M12	6	
31	00 0846 223 0	PLATE	12X153X210	2	
32	00 0846 224 0	PIN	D53X175	1	
33	00 0212 111 0	CIRCLIP	50X3	4	
34	00 1327 538 0	SLEEVE	Z=22 M=3,75	1	
35	00 0179 838 0	GREASE NIPPLE	A M8X1	2	
36	00 1327 541 0	SHAFT	Z=21/Z=22 L=186 M=3,75	1	
37	00 1327 539 0	SLEEVE	Z=21 M=3,75	1	

1)	Remarks	Exchange / Reman
2)	Remarks	for pump drive
3)	machine no.	+ from 74100504
4)	machine no.	+ up to 74100503



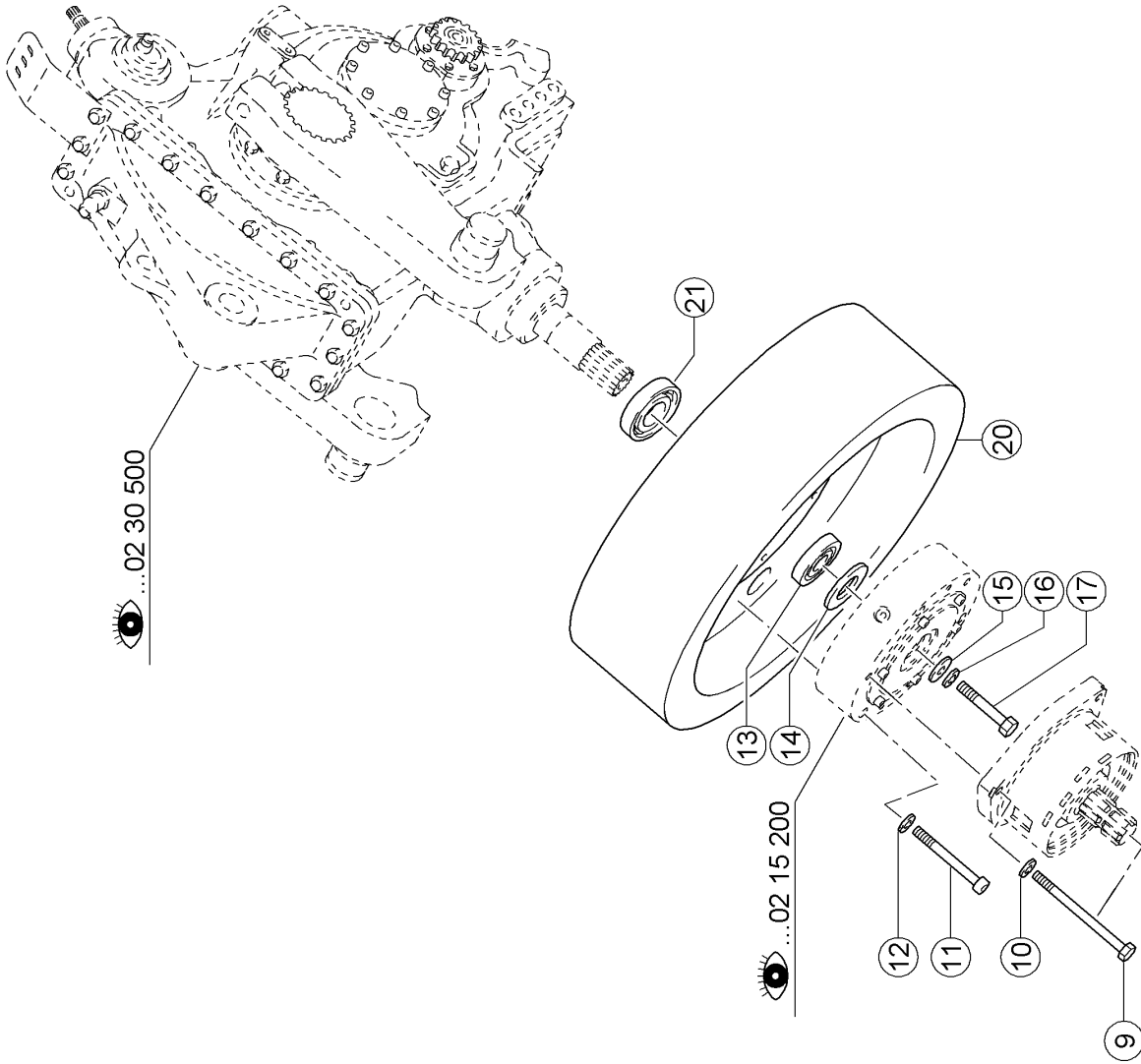
**500 MAIN GEARBOX**

Pos.	Part No.	Description	Dimension	Quantity	Conditions
	<b>00 0846 190 0</b>	MAIN GEARBOX	I=19,5;6,5;2,17	1	
1	<b>00 0237 572 0</b>	HEXAGON HEAD BOLT	M12X35	24	
2	<b>00 0850 136 0</b>	LOCK WASHER		24	
3	<b>00 0850 557 0</b>	COVER		1	
4	<b>00 0833 857 0</b>	GASKET	226X170X0.2	1	
5	<b>00 0850 133 0</b>	SPACER		1	
6	<b>00 0214 782 0</b>	TA.ROLLER BEARING	302 19 -95X170X34,5	1	
7	<b>00 0850 558 0</b>	COVER		2	
8	<b>00 0850 569 0</b>	GASKET	180X236X0.2	2	
9	<b>00 0850 562 0</b>	SEALING RING	AS120X150X12	2	
10	<b>00 0214 783 0</b>	TA.ROLLER BEARING	320 24	2	
11	<b>00 0850 574 0</b>	SPACER RING		1	
12	<b>00 0212 260 0</b>	LOCKING COVER	80X12	1	
13	<b>00 0214 263 0</b>	CIRCLIP	80X4,0	2	
14	<b>00 0850 580 0</b>	SHIM	69,3X79,7 = 8 TEILE	2	
15	<b>00 0239 220 0</b>	GRVD.BALL BEARING	6307-2RS*-C3	1	
16	<b>00 0850 578 0</b>	SPACER RING		1	
17	<b>00 0841 164 0</b>	SPUR GEAR		1	
18	<b>00 0850 582 0</b>	SPACER		1	
19	<b>00 0215 806 0</b>	TA.ROLLER BEARING	323 15	1	
20	<b>00 0833 851 0</b>	PINION SHAFT	UPX1-75X160X58 448077401	1	
21	<b>00 0244 289 0</b>	GRVD.BALL BEARING	6308-2RS*	1	
22	<b>00 0850 579 0</b>	SPACER RING		1	
23	<b>00 0213 411 0</b>	ROTARY SHAFT SEAL	AS 40X 80X10	1	
25	<b>00 0238 504 0</b>	GRVD.BALL BEARING	6208-2RS* -40X80X18	1	
26	<b>00 0244 058 0</b>	CIRCLIP	40X2,5	1	
27	<b>00 0233 570 1</b>	GRVD.BALL BEARING	6210-2RS* 50X90X20	1	
28	<b>00 0211 446 0</b>	RADIAL SEAL RING	DFS 50X80X11/11	1	
29	<b>00 0850 573 0</b>	SPACER RING		1	
30	<b>00 0850 134 0</b>	SPACER		1	
31	<b>00 0243 679 0</b>	TA.ROLLER BEARING	32217- 85X150X38,5	1	
32	<b>00 0850 581 0</b>	SPACER	133,4X149,7=4TEILE	1	
33	<b>00 0850 568 0</b>	GASKET	150X206X0.2	1	
34	<b>00 0850 556 0</b>	COVER		1	
35	<b>00 0850 138 0</b>	LOCK WASHER		8	
36	<b>00 0215 418 0</b>	SOCKET HEAD SCREW	M12X 30-MK	8	
37	<b>00 0235 132 1</b>	SPRING WASHER	8 -8,1X14,8X1,6	12	
38	<b>00 0237 442 0</b>	HEXAGON HEAD BOLT	M8X25	12	
39	<b>00 0850 553 0</b>	RING	M20X1.5	1	
40	<b>00 0850 559 0</b>	RING	M20X1.5	1	
41	<b>00 0850 140 0</b>	SCREW		1	
42	<b>00 0850 555 0</b>	COVER		1	
43	<b>00 0850 565 0</b>	GASKET	101X140X0.2	1	
44	<b>00 0211 448 0</b>	RADIAL SEAL RING	B1SL 68X 90X13	1	
45	<b>00 0850 570 0</b>	BEARING		1	
46	<b>00 0850 561 0</b>	O-RING		1	
47	<b>00 0238 197 0</b>	TA.ROLLER BEARING	30309- 45X100X27,25	1	
48	<b>00 0850 564 0</b>	PLUG	M24X2	1	
49	<b>00 0243 663 0</b>	TA.ROLLER BEARING	302 14 - 70X125X26,251	1	
50	<b>00 0215 793 0</b>	SHAFT SEAL	AS - 65X 90X10	1	
51	<b>00 0833 856 0</b>	GASKET	165X125X0.2	1	
52	<b>00 0833 852 0</b>	HOUSING COVER	FUER 8320160	1	



**500 MAIN GEARBOX**

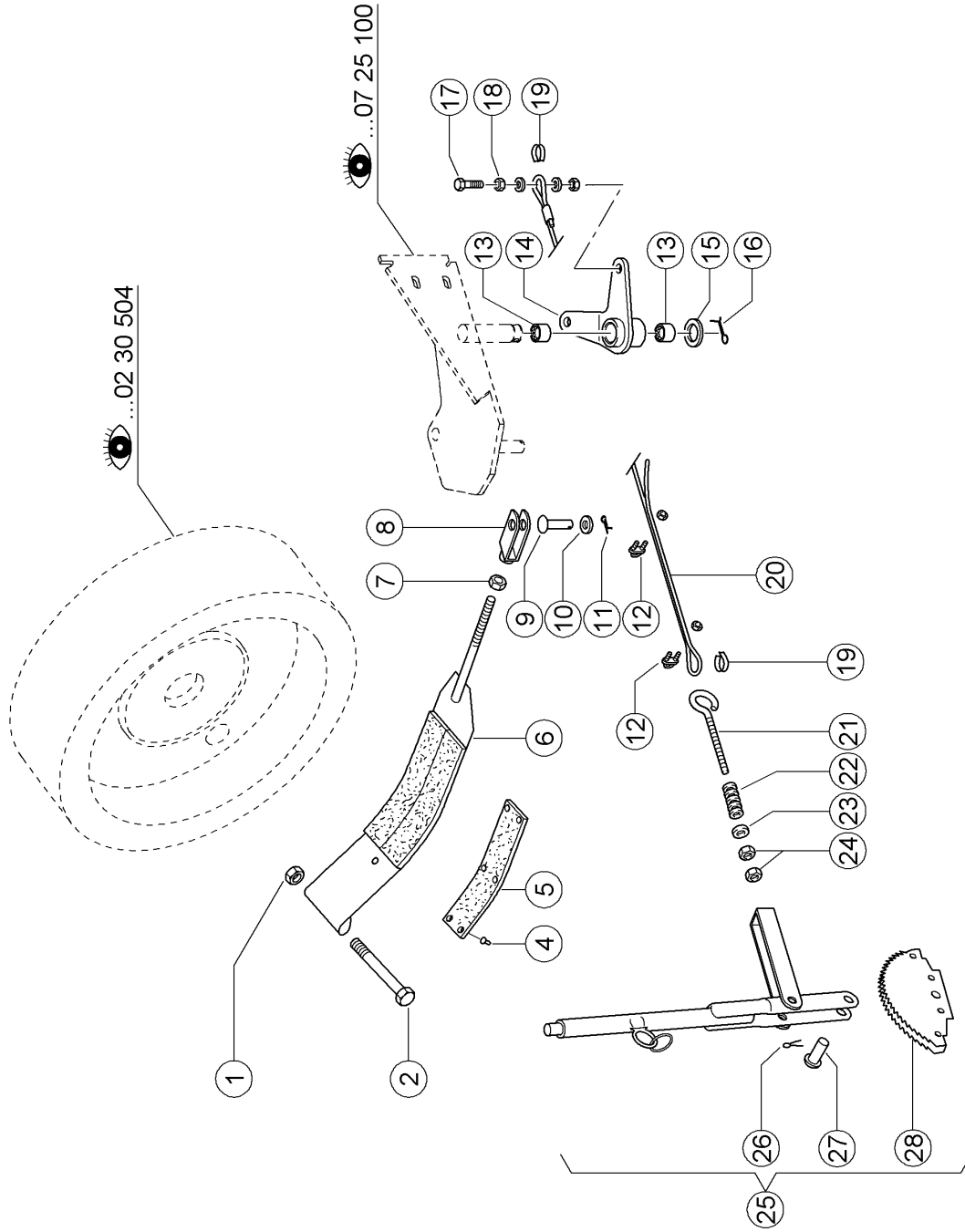
<b>Pos.</b>	<b>Part No.</b>	<b>Description</b>	<b>Dimension</b>	<b>Quantity</b>	<b>Conditions</b>
53	<b>00 0833 860 0</b>	SHAFT NUT	M70X2	1	
54	<b>00 0850 577 0</b>	CLAMPING RING	M70X2	1	
55	<b>00 0212 779 0</b>	CIRCLIP	140X4	1	
56	<b>00 0863 274 0</b>	SPUR GEAR	Z=13 ; M=8,25	1	
57	<b>00 0863 243 0</b>	SPUR GEAR	Z=22 ; M=3,75	1	
58	<b>00 0850 126 0</b>	SHAFT		1	



**504 FLYWHEEL**

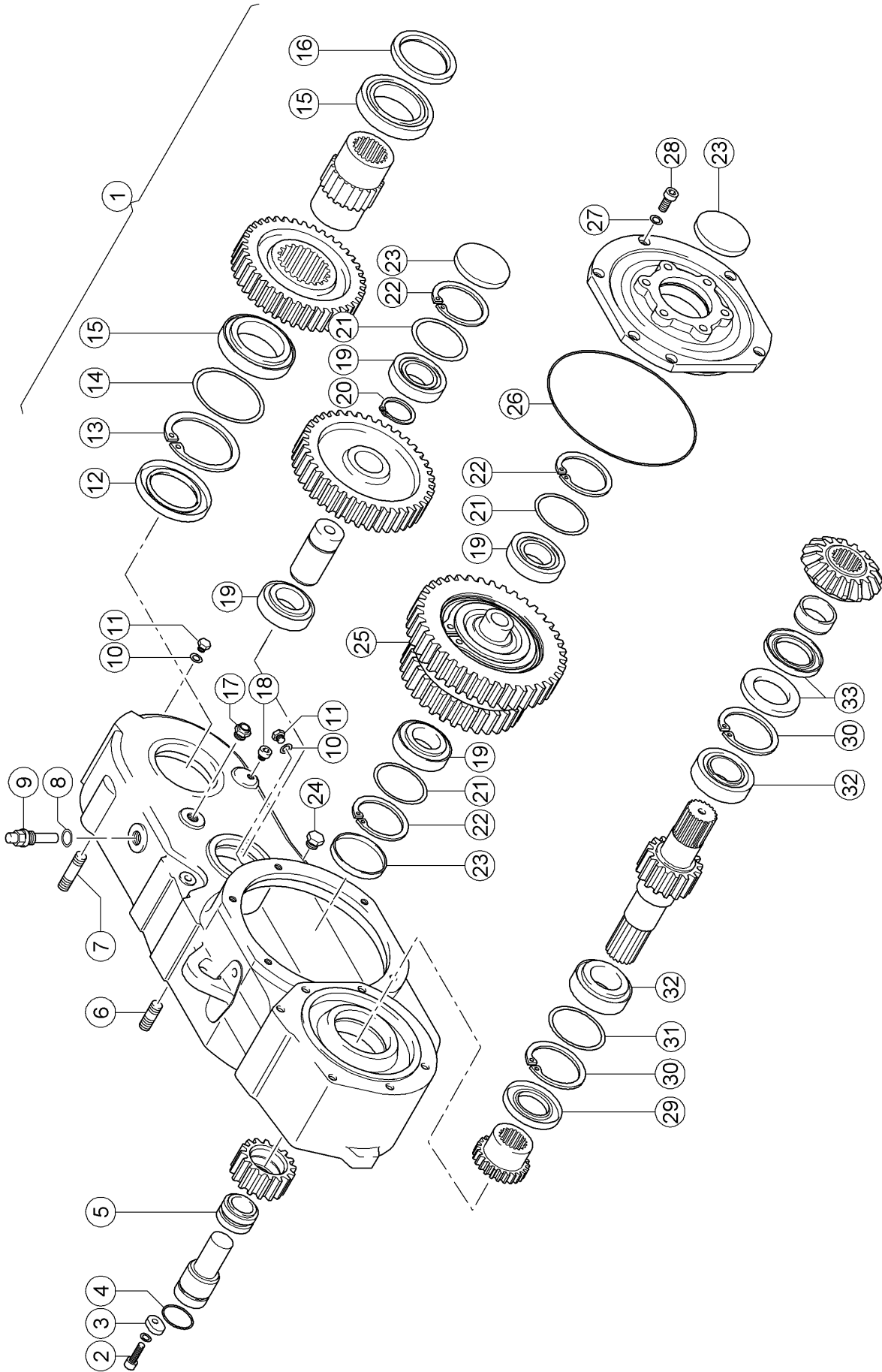
Pos.	Part No.	Description	Dimension	Quantity	Conditions
9	<b>00 0242 380 0</b>	HEXAGON HEAD BOLT	M12X120	3	
10	<b>00 0239 389 0</b>	CONTACT WASHER	A12	3	
11	<b>00 0235 810 0</b>	SOCKET HEAD SCREW	M12X 80	3	
12	<b>00 0242 824 1</b>	WASHER	12 -12,2X18,3X2,5	3	
13	<b>00 0233 570 1</b>	GRVD.BALL BEARING	6210-2RS* 50X90X20	1	
14	<b>00 0234 432 0</b>	SHIM	50X62X1	1	
15	<b>00 0832 017 1</b>	WASHER	60X21X10	1	
16	<b>00 0212 191 0</b>	CONTACT WASHER	A20	1	
17	<b>00 0212 310 0</b>	HEXAGON HEAD BOLT	M20X1,5X 65	1	
20	<b>00 0846 193 2</b>	FLYWHEEL		1	1)
21	<b>00 0213 991 0</b>	GRVD.BALL BEARING	6212-2RS*	1	

**1) Remarks** with Item 13, 14



**505 FLYWHEEL BRAKE**

<b>Pos.</b>	<b>Part No.</b>	<b>Description</b>	<b>Dimension</b>	<b>Quantity</b>	<b>Conditions</b>
1	<b>00 0238 047 0</b>	LOCK NUT	M16	1	
2	<b>00 0242 795 0</b>	HEXAGON HEAD BOLT	M16X140	1	
4	<b>00 0235 765 0</b>	RIVET	A 4X13	12	
5	<b>00 0830 148 0</b>	BRAKE LINING		1	
6	<b>00 0830 144 2</b>	BRAKE BAND		1	
7	<b>00 0236 171 0</b>	HEXAGONAL NUT	M10	1	
8	<b>00 0632 127 0</b>	FORK HEAD	G 10X40	1	
9	<b>00 0632 133 0</b>	PIN	B-10A12X28X4,5	1	
10	<b>00 0238 292 0</b>	WASHER	10,5X 22 X1	1	
11	<b>00 0235 089 0</b>	SPLIT PIN	4 X 22	1	
12	<b>00 0940 002 0</b>	WIRE ROPE CLAMP	A 3 M4X9X12X20	2	
13	<b>00 0008 515 0</b>	BUSHING	20 X 23 X21	2	
14	<b>00 0846 145 0</b>	LEVER		1	
15	<b>00 0234 318 0</b>	WASHER	21X30X2	1	
16	<b>00 0237 026 0</b>	SPLIT PIN	5X32	1	
17	<b>00 0235 218 1</b>	HEXAGON HEAD BOLT	M10X40	1	
17	<b>00 0239 394 1</b>	CONTACT WASHER	B10	2	
17	<b>00 0237 947 0</b>	HEX. NUT WITH CLAMP. PART	M10	1	
18	<b>00 0236 171 0</b>	HEXAGONAL NUT	M10	1	
19	<b>00 0239 067 1</b>	THIMBLE	8	2	
20	<b>00 0831 554 0</b>	WIRE ROPE	D4X 590 LG	1	
21	<b>00 0751 026 0</b>	EYE BOLT	M10X135	1	
22	<b>00 0800 444 1</b>	COMPRESS.SPRING	4,5 X 15 X 30	1	
23	<b>00 0234 325 0</b>	WASHER	11 X 21 X3	1	
24	<b>00 0236 171 0</b>	HEXAGONAL NUT	M10	2	
25	<b>00 0830 167 1</b>	BRAKE LEVER		1	
26	<b>00 0236 152 0</b>	SPLIT PIN	3,2X22	1	
27	<b>00 0244 515 0</b>	PIN	B12H11X 45	1	
28	<b>00 0830 149 0</b>	TOOTHED SEGMENT		1	



**600 TRANSFER GEARBOX, ROTOR / FEED RAKE 1)**

Pos.	Part No.	Description	Dimension	Quantity	Conditions
1	<b>00 0846 202 1</b>	TRANSFER CASE	I=3	1	
2	<b>00 0850 646 0</b>	SCREW	M12X25X1.5 12.9	1	
2	<b>00 0235 137 1</b>	SPRING WASHER	20	1	
4	<b>00 0850 645 0</b>	O-RING	42.86X3.53	1	
5	<b>00 0850 625 0</b>	BEARING		1	
6	<b>00 0214 178 0</b>	STUD BOLT	M16X45	3	
7	<b>00 0214 177 0</b>	STUD BOLT	M16X 65	5	
8	<b>00 0238 533 1</b>	SEALING RING	C18 X22	1	
9	<b>00 0817 304 0</b>	BREATHER VALVE	M18X1,5	1	
10	<b>00 0850 665 0</b>	GASKET		2	
11	<b>00 0850 664 0</b>	PLUG		2	
12	<b>00 0850 660 0</b>	SEALING RING	AS 75X115X12	1	
13	<b>00 0235 195 0</b>	CIRCLIP	115X4	1	
14	<b>00 0850 657 0</b>	SPACER		1	
15	<b>00 0850 624 0</b>	BEARING		2	
16	<b>00 0213 720 0</b>	SHAFT SEAL	AS 75X100X10	1	
17	<b>00 0850 663 0</b>	INSPECTION GLASS	M18X1,5	1	
18	<b>00 0841 168 0</b>	SCREW PLUG	3/8G KONISCH+MAG.	1	
19	<b>00 0243 672 0</b>	TA.ROLLER BEARING	32209- 45X85X24,75- T3DC	4	
20	<b>00 0234 452 0</b>	CIRCLIP	45X2,5	1	
21	<b>00 0850 655 0</b>	SPACER		3	
22	<b>00 0233 141 0</b>	CIRCLIP	85X4	3	
23	<b>00 0850 661 0</b>	LOCK CAP	85X 10	3	
24	<b>00 0244 352 0</b>	SCREW PLUG	M18X1,5	1	
25	<b>00 0850 093 0</b>	CLUTCH		1	
26	<b>00 0850 644 0</b>	O-RING	228.2X3.53	1	
27	<b>00 0235 134 1</b>	SPRING WASHER	12	6	
28	<b>00 0850 647 0</b>	SCREW	M12X25X1.75 10.9	6	
29	<b>00 0212 631 0</b>	ROTARY SHAFT SEAL	AS 50X90X10	1	
30	<b>00 0235 190 0</b>	CIRCLIP	90X3	2	
31	<b>00 0850 656 0</b>	SPACER		1	
32	<b>00 0239 476 0</b>	TA.ROLLER BEARING	33210/3DE -50X90X32	2	
33	<b>00 0850 142 0</b>	SEALING RING	060X090X008	2	

**1) Equipment**PR\_C06\_0010  
PR\_C06\_0020ROTO FEED feed rotor  
ROTO CUT cutting rotor

Thank you so much for reading.  
Please click the “Buy Now!”  
button below to download the  
complete manual.



After you pay.

You can download the most  
perfect and complete manual in  
the world immediately.

Our support email:

[ebooklibonline@outlook.com](mailto:ebooklibonline@outlook.com)