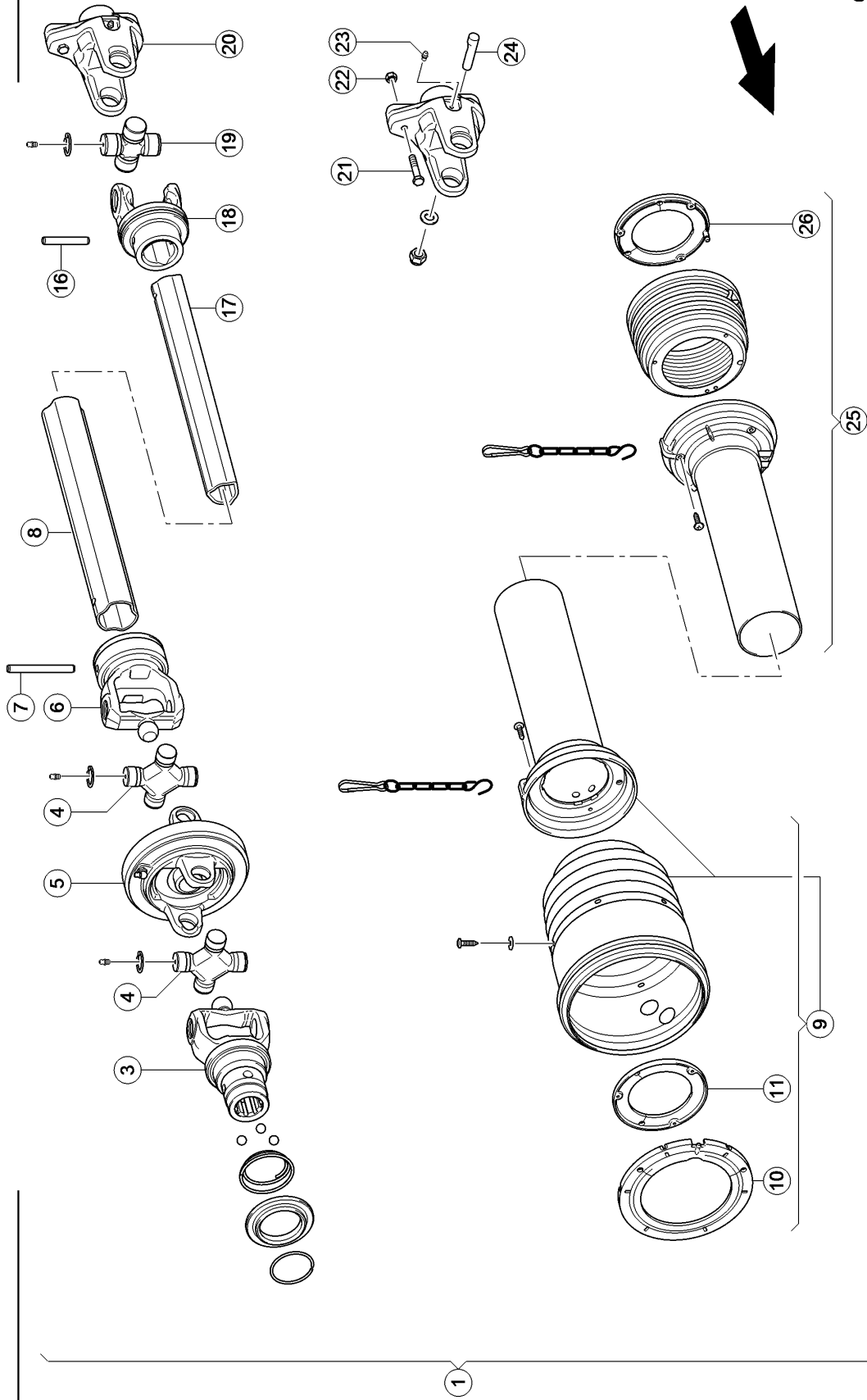


1B

CLAAS



62257Z00
ROLLANT 350/350RC

150818

UNIVERSAL DRIVE SHAFT WITH SHEAR BOLT CL 1)

Pos.	Part No.	Description	Dimension	Quantity	Conditions
1	00 0843 756 0	DRIVE SHAFT ASSY.		1	2)
1	00 0843 757 0	DRIVE SHAFT ASSY.		1	3)
3	00 0843 764 0	FORK		1	2)
3	00 0843 775 0	FORK		1	3)
4	00 0843 765 0	CENTRE CROSS ASS.		2	
5	00 0843 767 0	FORK		1	
6	00 0234 862 0	SPRING PIN	10 X100	1	
7	00 0843 766 0	INNER FORK		1	
8	00 0843 768 0	TUBE		1	
9	00 0843 762 0	GUARD HALF		1	4)
10	00 0844 557 0	RING		1	
11	00 0844 558 0	RING		1	
16	00 0244 579 0	SPRING PIN	10X65	1	
17	00 0843 773 0	TUBE		1	
18	00 0843 772 0	FORK		1	
19	00 0843 771 0	CENTRE CROSS ASS.		1	
20	00 0843 777 0	SHEAR BOLT CLUTCH		1	
21	00 0237 341 0	HEXAGON HEAD BOLT	M08X45	1	
22	00 0238 132 0	LOCK NUT	M8	1	
23	00 0236 942 0	GREASE NIPPLE	A S6X1	1	
24	00 0843 770 0	CLAMPING SCREW	1-3/8"Z6-Z21	1	
25	00 0843 763 0	GUARD HALF		1	5)
26	00 0836 346 0	RING		1	

1) Remarks m 04 / 10 = 6-Tlg.Anschluss
m 04 / 20 = 8-Tlg.Anschluss

2) Remarks 6 piece

3) Remarks 8 piece

4) Remarks with Item 10. 11

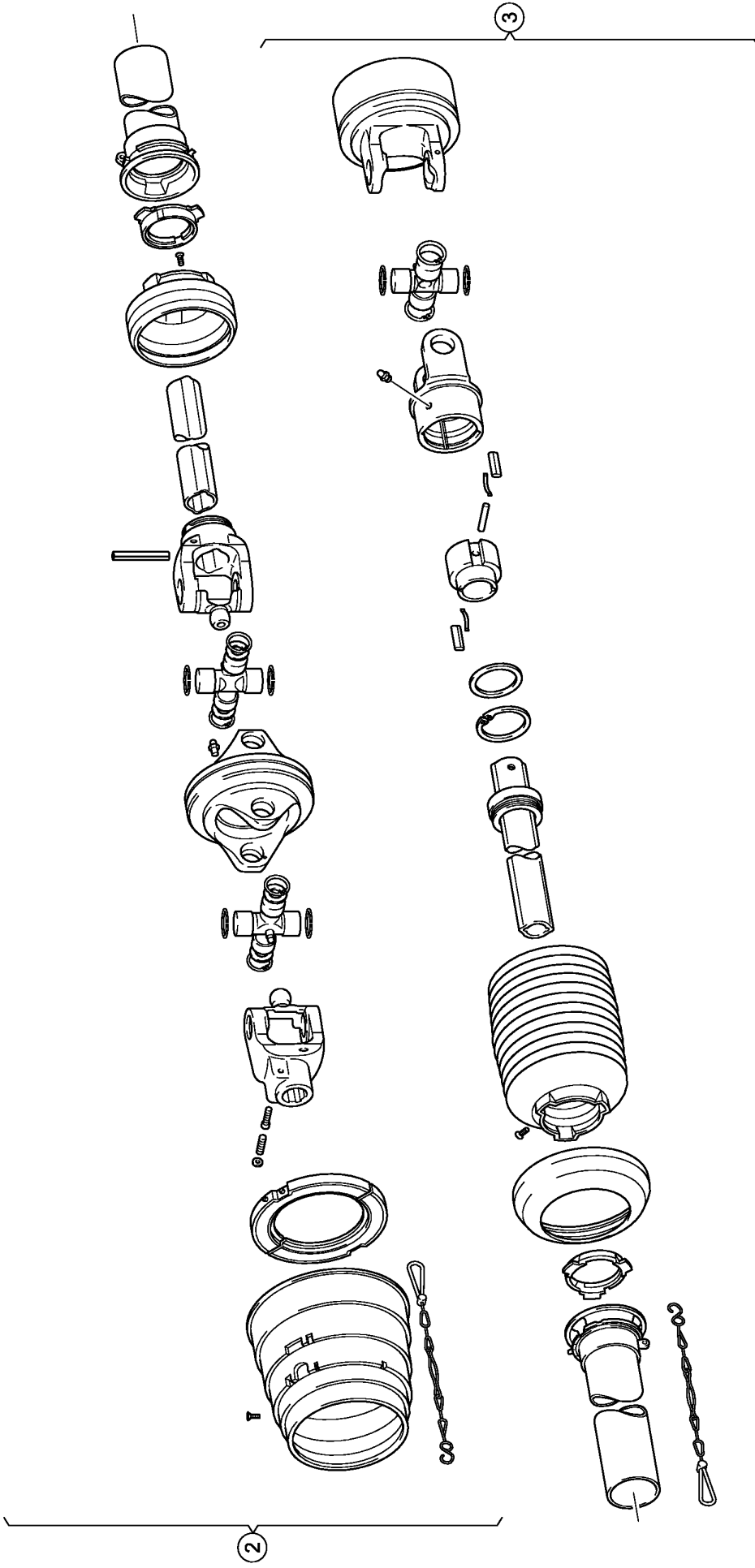
5) Remarks with Item 26

2A

CLAAS

ROLLANT 350 / RC

1



62478z00
ROLLANT 350

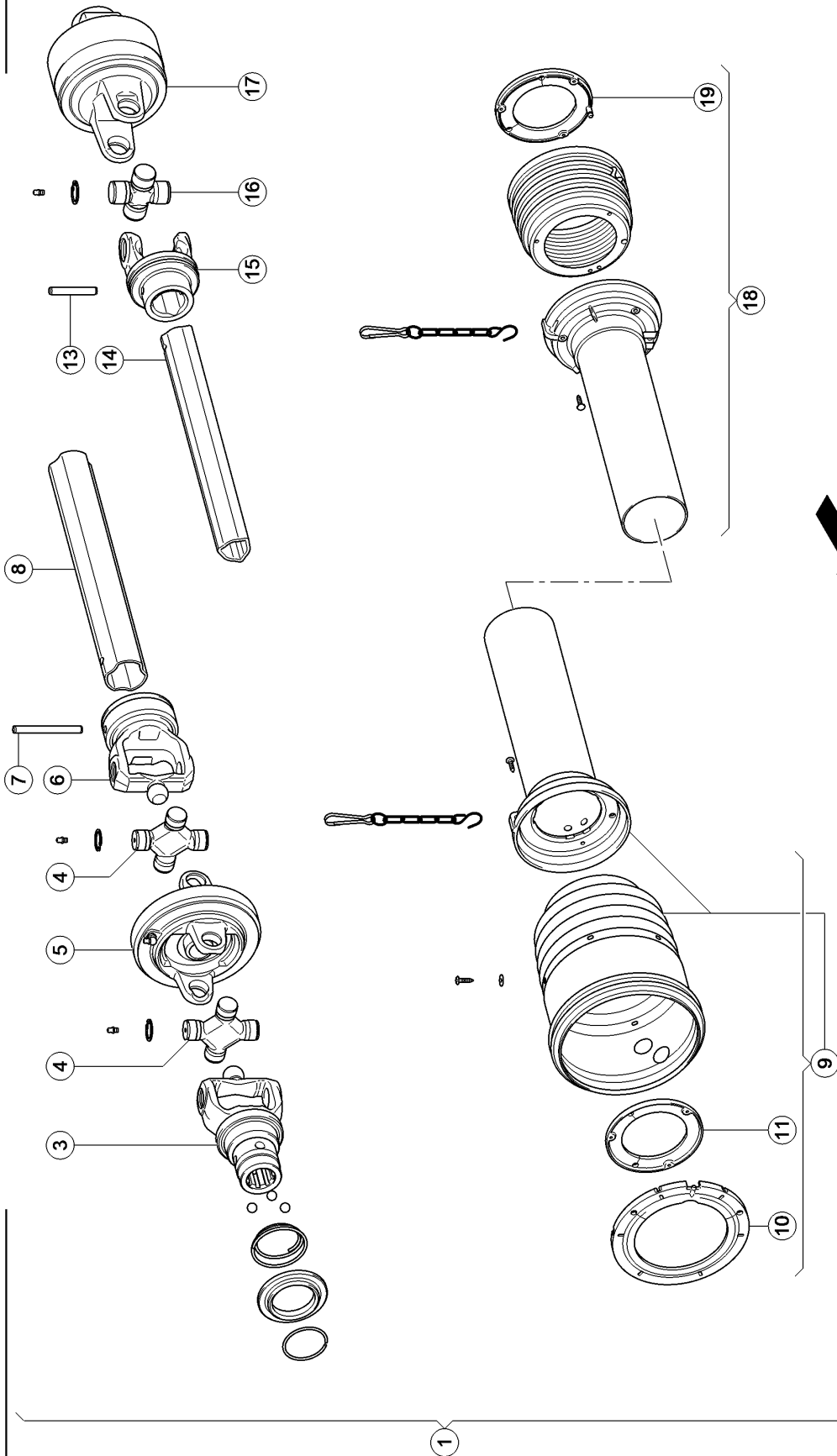
151042

UNIVERSAL DRIVE SHAFT WITH SHEAR BOLT CL

Pos.	Part No.	Description	Dimension	Quantity	Conditions
1	00 0837 342 2	DRIVE SHAFT		1	1)
2	00 0849 045 0	UNIVERSAL DRIVE SHAFT HALF	1 3/8" 6SPL, 945MM	1	
3	00 0849 046 0	UNIVERSAL DRIVE SHAFT HALF	1 3/8" 6SPL,1800NM, 950MM	1	
1)	Remarks	6 piece			

4B

CLAAS



62258Z00
ROLLANT 350/350RC

150819

UNIVERSAL DRIVE SHAFT WITH CUT - OUT CLU 1)

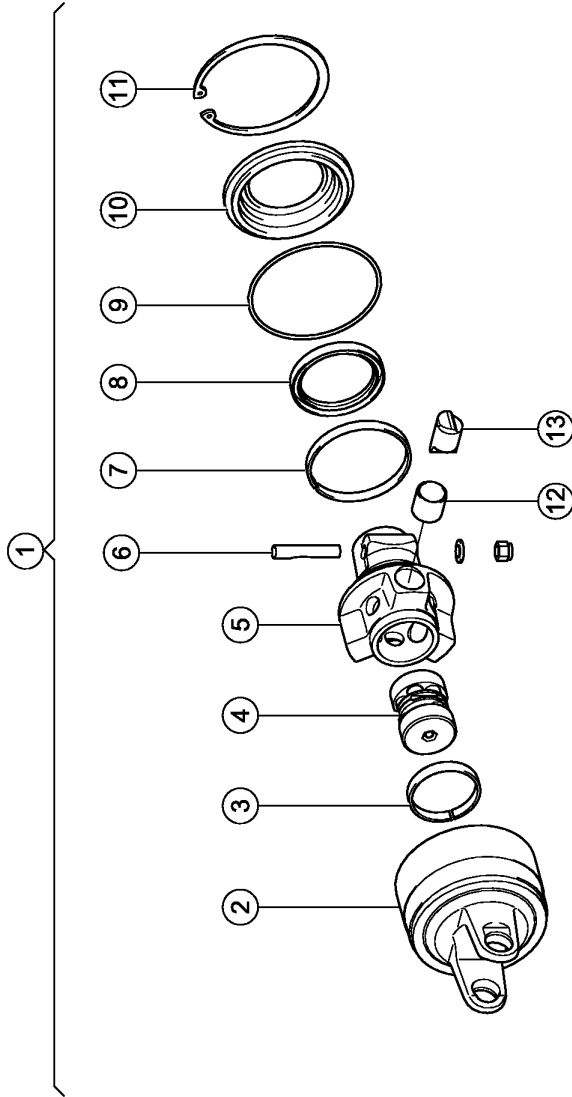
Pos.	Part No.	Description	Dimension	Quantity	Conditions
1	00 0843 758 0	DRIVE SHAFT ASSY.		1	2)
1	00 0843 759 0	DRIVE SHAFT ASSY.		1	3)
3	00 0843 764 0	FORK		1	2)
3	00 0843 775 0	FORK		1	3)
4	00 0843 765 0	CENTRE CROSS ASS.		2	
5	00 0843 767 0	FORK		1	
6	00 0843 766 0	INNER FORK		1	
7	00 0234 862 0	SPRING PIN	10 X100	1	
8	00 0843 768 0	TUBE		1	
9	00 0843 762 0	GUARD HALF		1	4)
10	00 0844 557 0	RING		1	
11	00 0844 558 0	RING		1	
13	00 0244 579 0	SPRING PIN	10X65	1	
14	00 0843 773 0	TUBE		1	
15	00 0843 772 0	FORK		1	
16	00 0843 771 0	CENTRE CROSS ASS.		1	
17	00 0843 797 0	CLUTCH		1	5)
18	00 0843 763 0	GUARD HALF		1	6)
19	00 0836 346 0	RING		1	

1) Remarks	m 04/60 / 6-Tlg. m 04/70 / 8-Tlg.
2) Remarks	6 piece
3) Remarks	8 piece
4) Remarks	with Item 10. 11
5) Remarks	see illustration plate 5a
6) Remarks	with Item 19

5A

CLAAS

ROLLANT 350 / RC



62259z00
ROLLANT 350/350RC

150820

CAM - TYPE CUT - OUT CLUTCH 1)

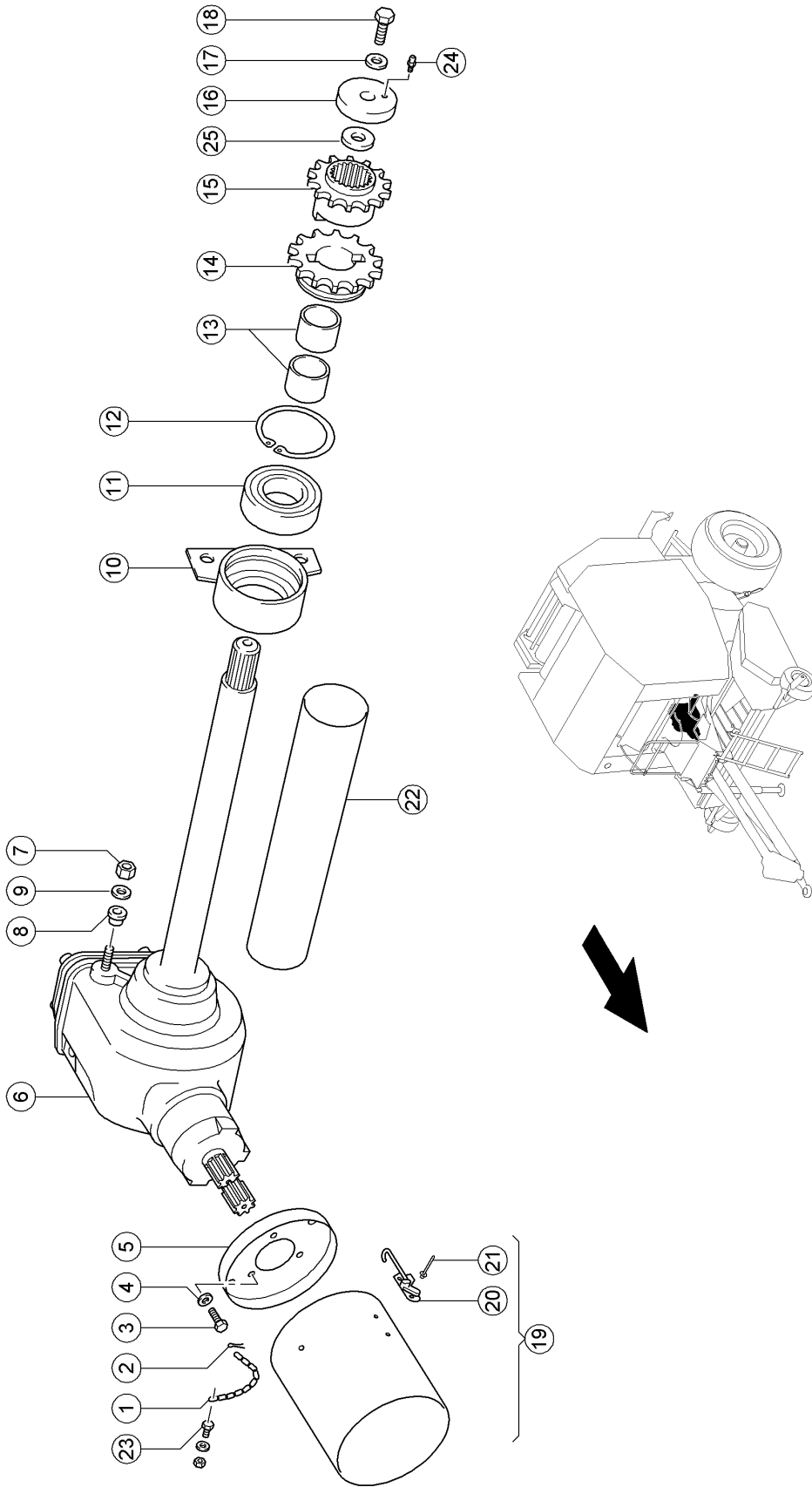
Pos.	Part No.	Description	Dimension	Quantity	Conditions
1	00 0843 797 0	CLUTCH		1	
2	00 0843 779 0	CLUTCH HOUSING		1	
3	00 0836 414 0	RING		1	
4	00 0843 798 0	SPRING KIT		1	
5	00 0843 781 0	HUB		1	
6	00 0843 782 0	CLAMPING SCREW		1	
7	00 0843 783 0	RING		1	
8	00 0843 784 0	SEALING RING		1	
9	00 0843 785 0	O-RING		1	
10	00 0843 786 0	COVER		1	
11	00 0214 628 0	CIRCLIP	138X4	1	
12	00 0836 417 0	BUSHING		3	
13	00 0836 416 0	BLOCK, BODY		3	

1) Remarks

540 U/Min - 1800 Nm

6

CLAAS



62260z01

GEARBOX WIT INTERMEDIATE DRIVE ASSY

Pos.	Part No.	Description	Dimension	Quantity	Conditions
1	00 0608 099 0	ROUND STEEL CHAIN	G 3X16-17GL	1	1)
2	00 0235 089 0	SPLIT PIN	4 X 22	1	
3	00 0237 439 0	HEXAGON HEAD BOLT	M8X16	3	
4	00 0239 387 0	CONTACT WASHER	A8-8,2X18X1,4	3	
5	00 0843 463 0	GUARD CUP	D206X1.5	1	
6	00 0858 471 0	GEARBOX	I=2,33	1	
7	00 0236 172 0	HEXAGONAL NUT	M12	2	
8	00 0810 117 0	BUSHING	D30X20	2	
9	00 0239 389 0	CONTACT WASHER	A12	2	
10	00 0860 020 0	BEARING		1	
11	00 0238 782 3	GRVD.BALL BEARING	6311-2RS-C4-55X120	1	
12	00 0243 063 0	CIRCLIP	120X4	1	
13	00 0945 677 0	BUSHING	55X60X20 109985	2	
14	00 0860 067 0	SPROCKET	16ZX31,75	1	
15	00 0860 021 0	SPROCKET	13ZX31,75	1	
16	00 0837 347 0	WASHER	17X62X6	1	
17	00 0239 391 0	CONTACT WASHER	A16	1	
18	00 0235 821 0	HEXAGON HEAD BOLT	M16X40	1	
19	00 0822 996 0	PROTECT.TUBE CPL.		1	
20	00 0822 998 1	LOCK		2	
21	00 0237 950 1	BLIND RIVET	4,8X12	4	
22	00 0837 364 0	PROTECTIVE TUBE		1	
23	00 0233 918 0	HEXAGON HEAD BOLT	M 5X16	1	1)
23	00 0236 910 2	FLAT WASHER	5 -5,3X10X1	1	1)
23	00 0237 216 0	HEXAGONAL NUT	M05	1	1)
24	00 0236 942 0	GREASE NIPPLE	A S6X1	1	
25	00 0238 203 0	WASHER	16,5X33X1	1	

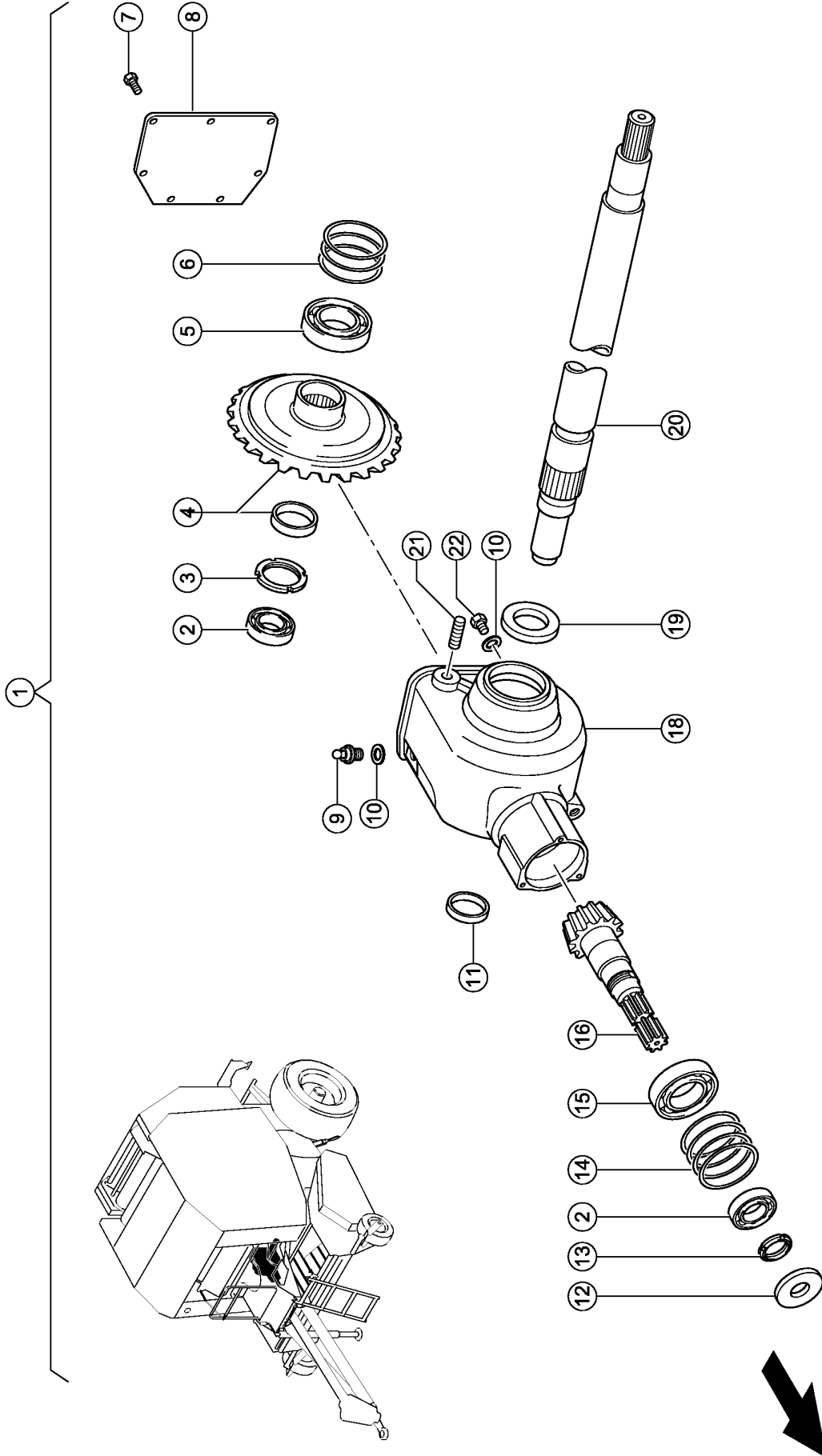
1) machine no.

+ up to 76201151

7

WALTERSCHEID

CLAAS



62261Z00
ROLLANT 350/350RC

150822

ANGLE DRIVE, 540 RPM 1)

Pos.	Part No.	Description	Dimension	Quantity	Conditions
1	00 0858 471 0	GEARBOX	I=2,33	1	
2	00 0235 988 0	TA.ROLLER BEARING	30208- 40X80X19,75	2	
3	00 0823 993 0	SLOTTED NUT	M55X1,5	1	
4	00 0845 373 0	WHEEL SET	I=2,33	1	
5	00 0243 661 0	TA.ROLLER BEARING	30212A	1	
6	00 0211 963 0	SHIM	100X110X0,1	2	
6	00 0211 964 0	SHIM	100X110X0,3	1	
6	00 0211 965 0	SHIM	100X110X0,5	1	
7	00 0236 200 0	HEXAGON HEAD BOLT	M8X20	6	
8	00 0838 054 0	COVER		1	
9	00 0827 581 0	BREATHER VALVE	1021-04-401-00	1	
10	00 0238 183 0	SEALING RING	A16 X20	2	
11	00 0213 767 0	LOCKING COVER	55X10	1	
12	00 0212 737 0	SHAFT SEAL	AS 35X 80X10	1	
13	00 0838 060 0	SLOTTED NUT	M40X1,5	1	
14	00 0233 202 0	SHIM	75X85X0,1	2	
14	00 0233 203 0	SHIM	75X85X0,3	1	
14	00 0233 204 0	SHIM	75X85X0,5	1	
14	00 0233 205 0	SHIM	75X85X1	1	
15	00 0234 829 0	TA.ROLLER BEARING	30209 J2/Q	1	
16	00 0845 373 0	WHEEL SET	I=2,33	1	
18	00 0838 051 0	HOUSING		1	
19	00 0211 034 0	ROTARY SHAFT SEAL	AS 60X 85X 8	1	
20	00 0851 030 0	SHAFT		1	
20	00 0838 053 0	SHAFT		1	
21	00 0244 014 1	STUD BOLT	M12X 45	2	
22	00 0244 351 0	SCREW PLUG	M16X1,5	1	

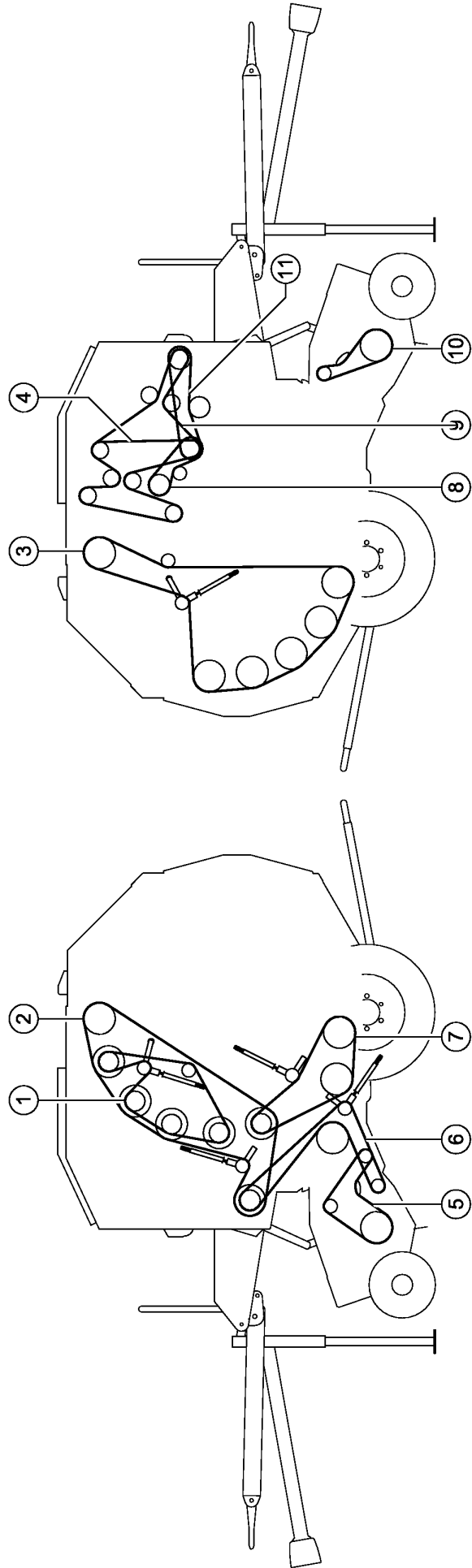
1) Remarks

P 08 / 10 Walterscheid

9

CLAAS

ROLLANT 350 / RC



150823

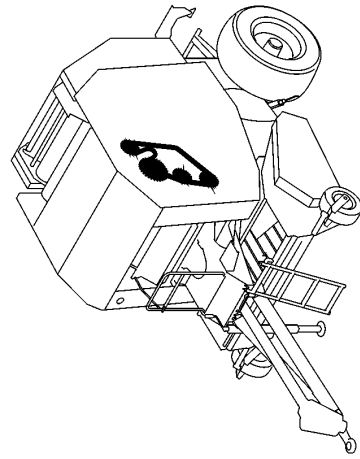
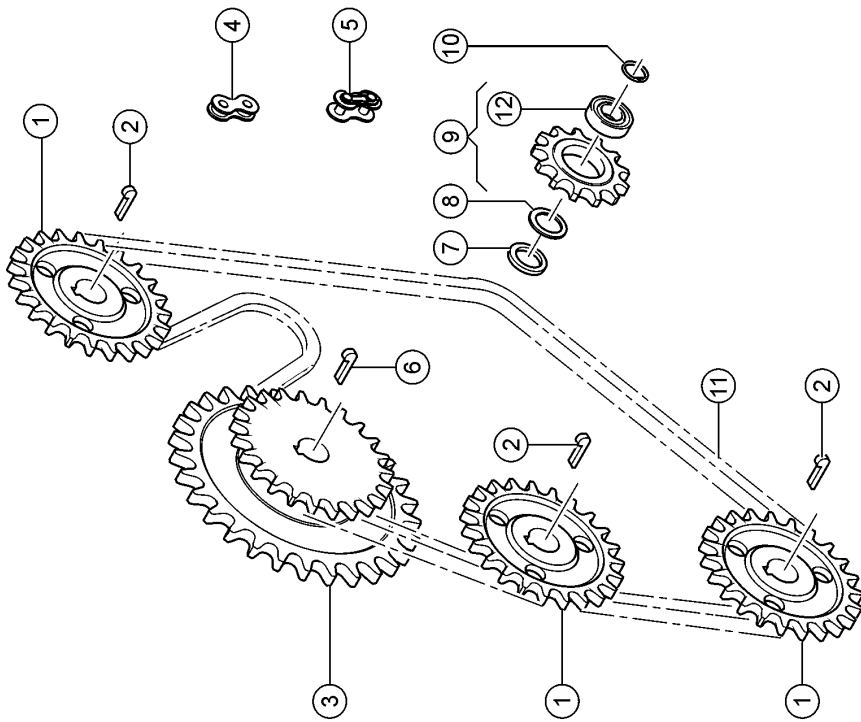
62262Z00
ROLLANT 350/350RC

OVERVIEW DRIVES

Pos.	Part No.	Description	Dimension	Quantity	Conditions
1	00 0837 384 0	ROLLER CHAIN	16B-1 110E	1	
2	00 0837 368 0	ROLLER CHAIN	20B-1 134E	1	
3	00 0837 354 0	ROLLER CHAIN	16B-1X176 E	1	
4	00 0821 734 2	V-BELT		1	
5	00 0826 551 0	ROLLER CHAIN	RE 480X82 E	1	
6	00 0838 277 0	ROLLER CHAIN	20B-1X 82 E	1	
7	00 0837 381 1	ROLLER CHAIN	16B-1X 88E	1	
8	00 0837 543 0	V-BELT		1	
9	00 0837 546 0	V-BELT		1	
10	00 0826 552 0	ROLLER CHAIN	19,05 T 64RO	1	
11	00 0837 195 0	V-BELT		1	

9A

CLAAS



62263z01

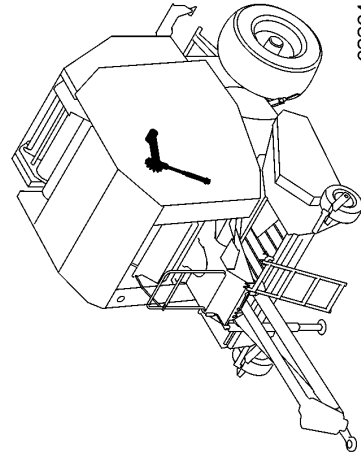
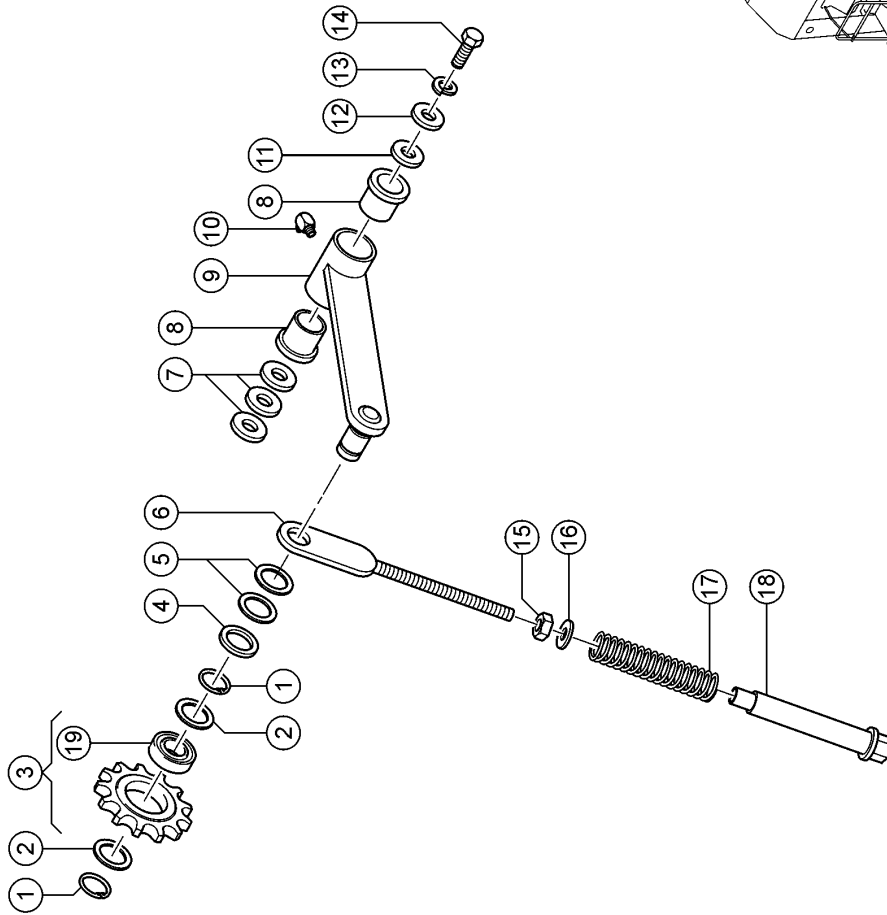


ROLLER DRIVE, TOP LEFT

Pos.	Part No.	Description	Dimension	Quantity	Conditions
1	00 0851 995 0	SPROCKET	23ZX25,4 D40	3	
2	00 0244 806 0	GIB-HEAD KEY	12X 8X 45	3	
3	00 0858 322 0	SPROCKET	31,75/23ZX25,4	1	
4	00 0665 021 0	CHAIN INNER LINK	B-16B-1	1	
5	00 0665 016 1	LOCKING LINK	E-16B-1	1	
6	00 0630 283 1	GIB-HEAD KEY	12X 8X 63	1	
7	00 0234 301 0	WASHER	26X34X2	1	
8	00 0234 237 0	WASHER	26X34X1	2	
9	00 0851 994 0	TENSION PINION	1ZOLLX13ZXD25	1	
10	00 0244 216 0	CIRCLIP	25X2	1	
11	00 0837 384 0	ROLLER CHAIN	16B-1 110E	1	
12	00 0215 517 0	GRVD.BALL BEARING	6205-2RS*LLUC3/5K	1	

10

CLAAS

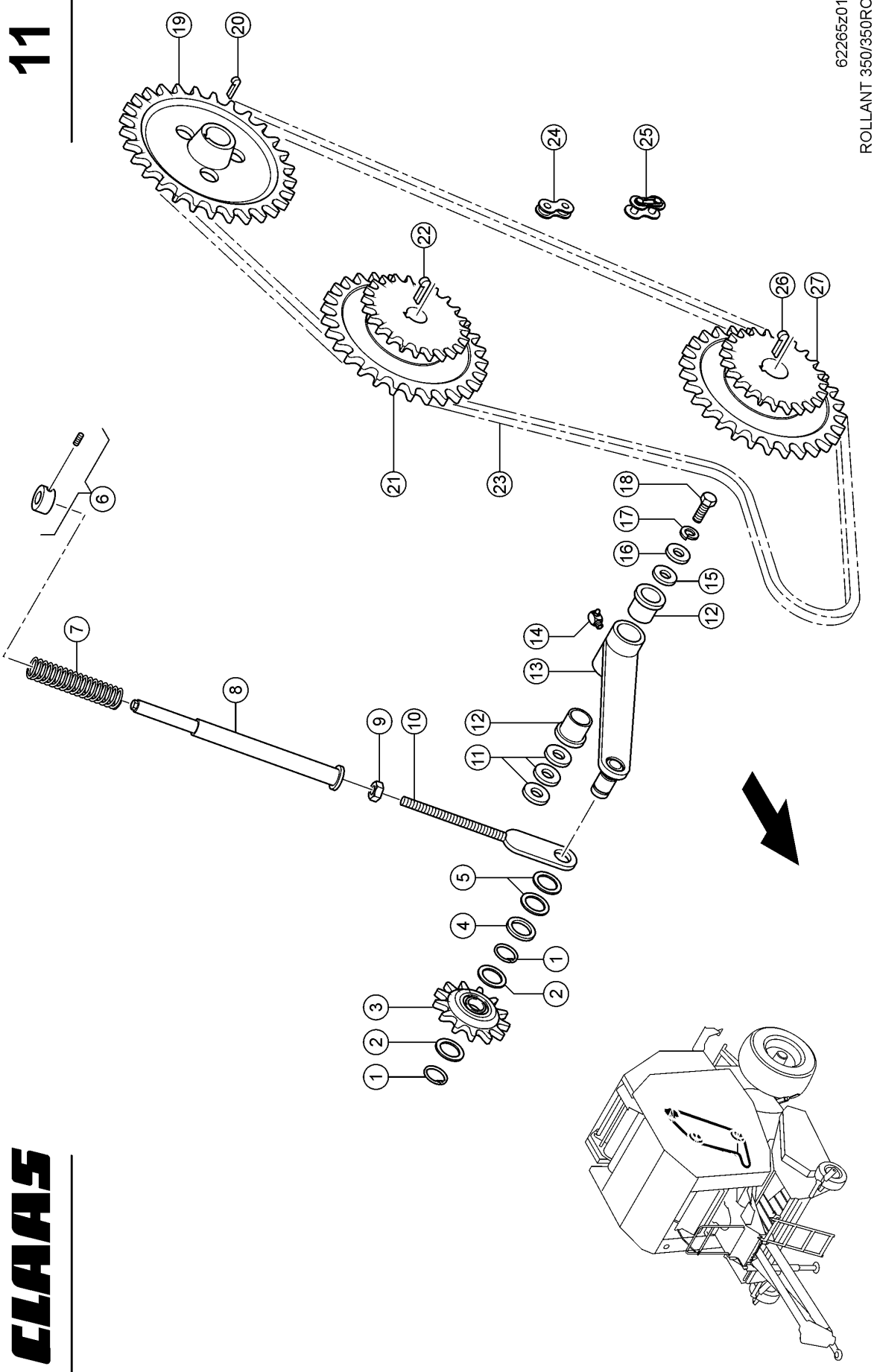


62264z03

ROLLER DRIVE TENSIONER

Pos.	Part No.	Description	Dimension	Quantity	Conditions
1	00 0235 160 0	CIRCLIP	25X1,2	2	
2	00 0238 386 0	BACK-UP WASHER	S 25X35X2	2	
3	00 0851 994 0	TENSION PINION	1ZOLLX13ZXD25	1	
4	00 0234 369 0	WASHER	26X37X4	1	1)
4	00 0858 732 0	BUSHING	D33,7X4,05	1	2)
5	00 0234 343 0	WASHER	26X37X3	2	1)
5	00 0234 343 0	WASHER	26X37X3	1	2)
6	00 0819 807 2	THREADED ROD		1	
7	00 0501 282 0	WASHER	22,5X 45 X5	3	
8	00 0008 525 0	BUSHING	22 X 26 X37	2	
9	00 0837 385 0	LEVER		1	
10	00 0236 944 0	GREASE NIPPLE	C S6X1	1	
11	00 0234 299 0	WASHER	23X37X2	1	
12	00 0237 957 0	WASHER	8,5X30X3	1	
13	00 0239 387 0	CONTACT WASHER	A8-8,2X18X1,4	1	
14	00 0237 439 0	HEXAGON HEAD BOLT	M8X16	1	
15	00 0236 173 0	HEXAGONAL NUT	M16	1	
16	00 0234 367 0	WASHER	17X42X4	1	
17	00 0818 339 1	COMPRESS.SPRING	7 X 38 X220	1	
18	00 0822 521 0	SPRING GUIDE	D26,9X3,25X220	1	
19	00 0215 517 0	GRVD.BALL BEARING	6205-2RS*LLUC3/5K	1	
1)	machine no.				+ from 76201903
2)	machine no.				+ up to 76201902

11



62265z01
ROLLANT 350/350RC

CLAAS

ROLLER DRIVE, FRONT LEFT

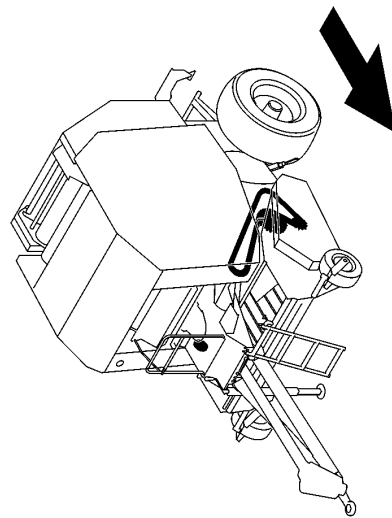
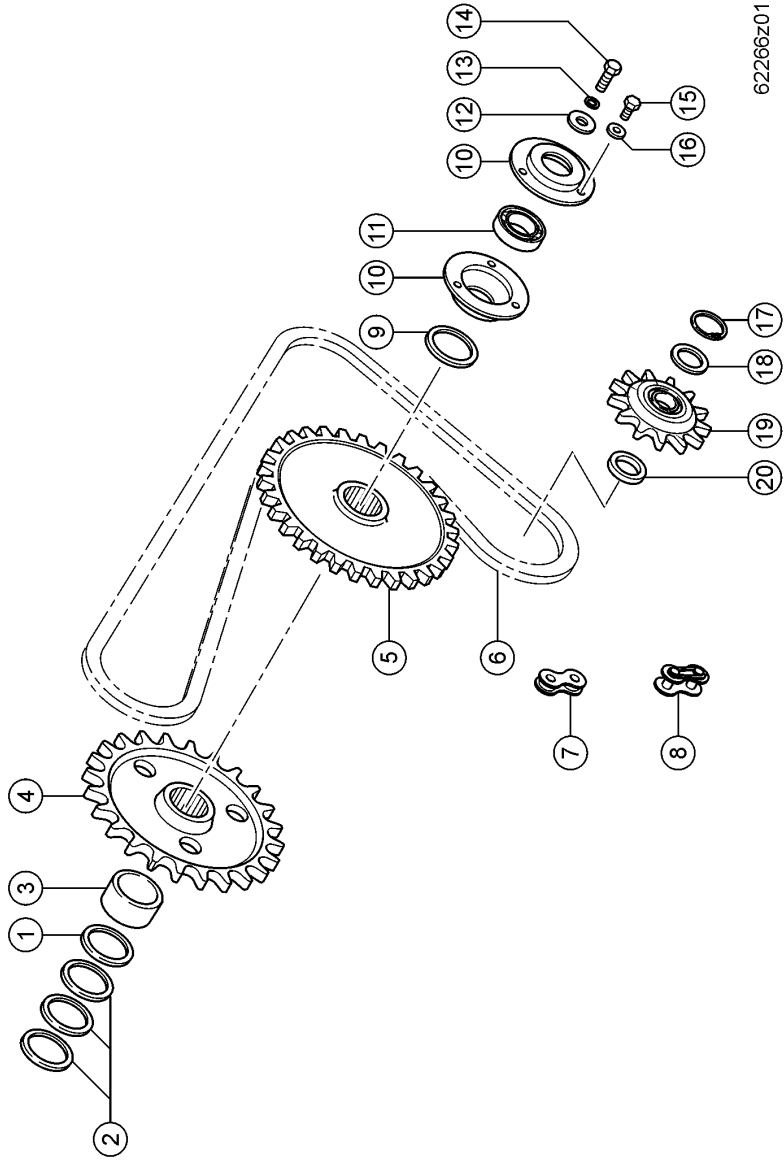
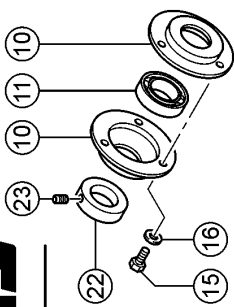
Pos.	Part No.	Description	Dimension	Quantity	Conditions
1	00 0235 160 0	CIRCLIP	25X1,2	2	
2	00 0238 386 0	BACK-UP WASHER	S 25X35X2	2	
3	00 0851 767 0	TENSION PINION	1,1/4 ZOLLX13ZXD25	1	
4	00 0234 369 0	WASHER	26X37X4	1	1)
4	00 0858 732 0	BUSHING	D33,7X4,05	1	2)
5	00 0234 343 0	WASHER	26X37X3	2	1)
5	00 0234 343 0	WASHER	26X37X3	1	2)
6	00 0500 309 2	ADJUSTING RING	A 30X45X15-M10	1	
6	00 0236 552 0	THREADED PIN	M10X 8	1	
7	00 0788 924 0	COMPRESS.SPRING	7 X 39 X415	1	
8	00 0823 483 1	SPRING GUIDE		1	
9	00 0237 521 0	HEX.NUT	M20	1	
10	00 0823 480 1	ROD		1	
11	00 0501 282 0	WASHER	22,5X 45 X5	3	
12	00 0008 525 0	BUSHING	22 X 26 X37	2	
13	00 0837 651 1	LEVER		1	
14	00 0236 944 0	GREASE NIPPLE	C S6X1	1	
15	00 0234 299 0	WASHER	23X37X2	1	
16	00 0237 957 0	WASHER	8,5X30X3	1	
17	00 0239 387 0	CONTACT WASHER	A8-8,2X18X1,4	1	
18	00 0237 439 0	HEXAGON HEAD BOLT	M8X16	1	
19	00 0858 323 0	SPROCKET	29ZX31,75 D50	1	
20	00 0007 634 0	GIB-HEAD KEY	14X 9X 75	1	
21	00 0858 322 0	SPROCKET	31,75/23ZX25,4	1	
22	00 0630 283 1	GIB-HEAD KEY	12X 8X 63	1	
23	00 0837 368 0	ROLLER CHAIN	20B-1 134E	1	
23	00 0858 922 0	ROLLER CHAIN	31.75X134R	1	
24	00 0211 422 0	CHAIN INNER LINK	B-20B-1	1	
25	00 0215 274 0	LOCKING LINK	E-20B-1	1	
26	00 0007 634 0	GIB-HEAD KEY	14X 9X 75	1	
27	00 0858 324 0	SPROCKET	31,75/25,4	1	

1) machine no. + from 76201903

2) machine no. + up to 76201902

12

CLAAS



62266z01
ROLLANT 350/350RC

Thank you so much for reading.
Please click the “Buy Now!”
button below to download the
complete manual.



After you pay.

You can download the most
perfect and complete manual in
the world immediately.

Our support email:

ebooklibonline@outlook.com