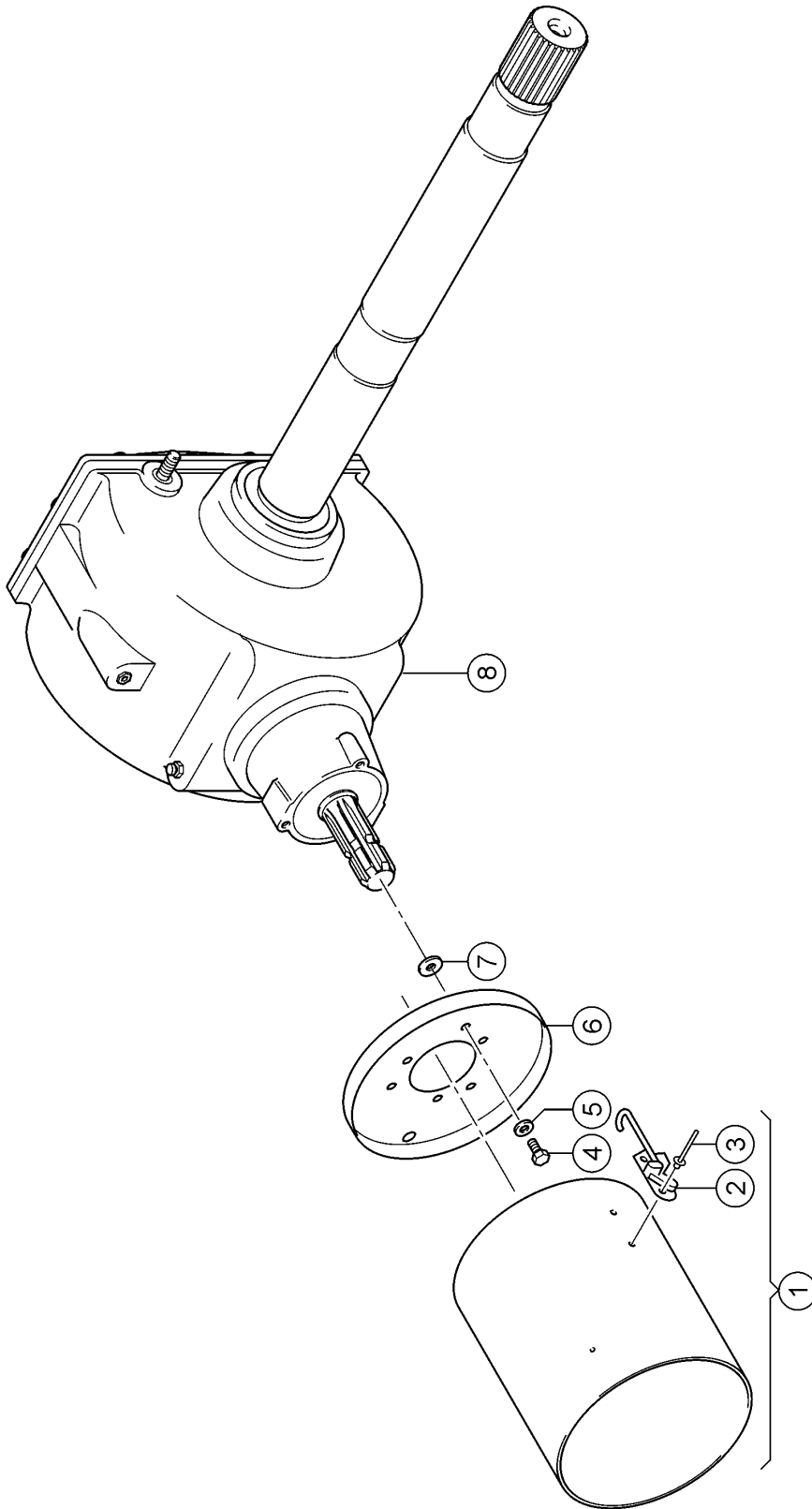


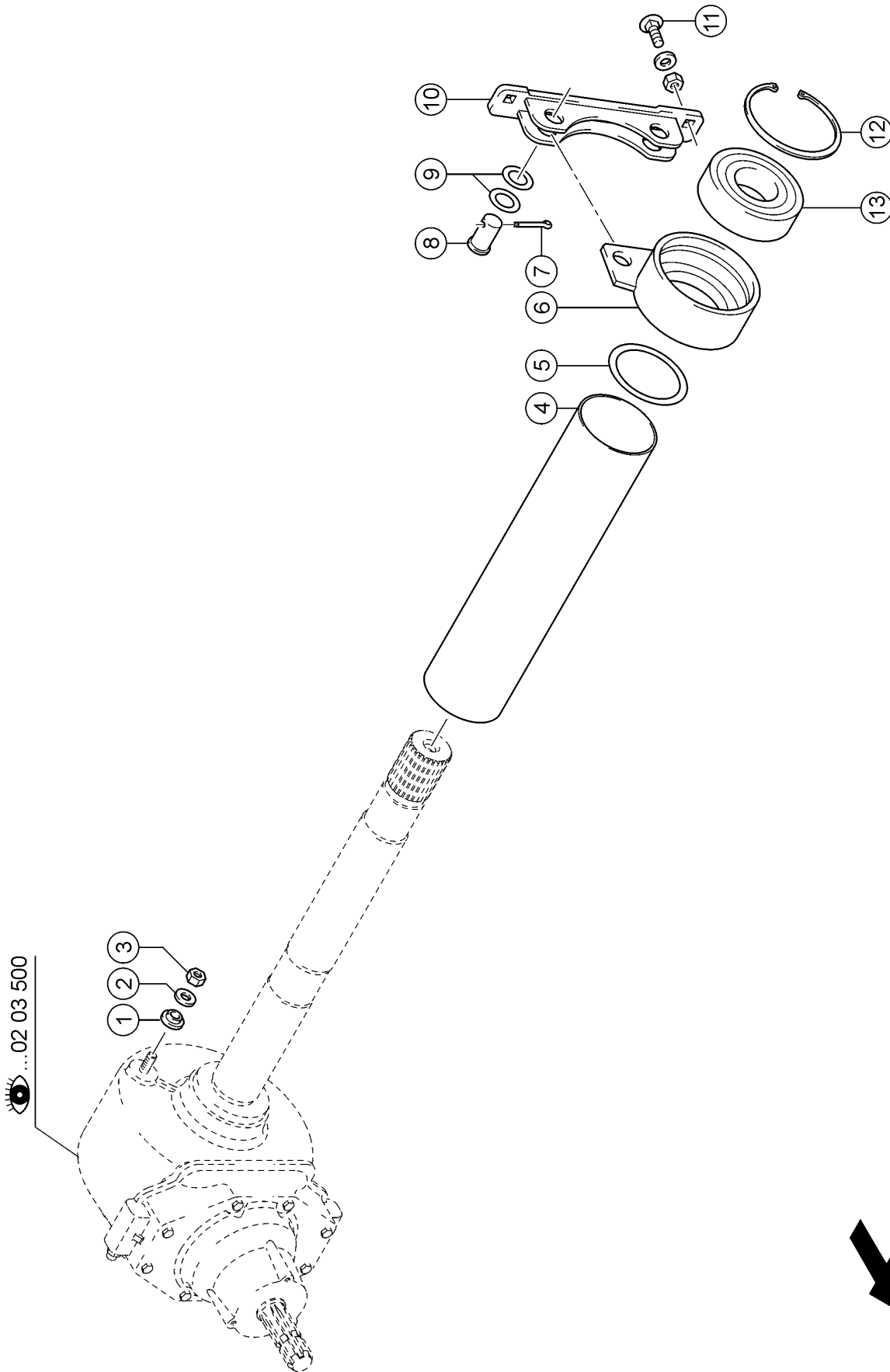
500 MAIN GEARBOX 1)

| Pos. | Part No. | Description | Dimension | Quantity | Conditions |
|---------------------|----------------------|-------------------|-----------------------|----------|------------|
| 1 | 00 0822 996 0 | PROTECT.TUBE CPL. | | 1 | |
| 2 | 00 0822 998 1 | LOCK | | 2 | |
| 3 | 00 0237 950 1 | BLIND RIVET | 4,8X12 | 4 | |
| 4 | 00 0237 439 0 | HEXAGON HEAD BOLT | M8X16 | 3 | |
| 5 | 00 0239 387 0 | CONTACT WASHER | A8-8,2X18X1,4 | 3 | |
| 6 | 00 0843 463 0 | GUARD CUP | D206X1.5 | 1 | |
| 7 | 00 0234 320 0 | WASHER | 8,4X23X3 | 3 | |
| 8 | 00 1413 212 0 | TRANSFER GEARBOX | I=2,16 | 1 | |
| 1) Equipment | | | | | |
| | | PR_P08_0010 | Input gearbox 540 rpm | | |



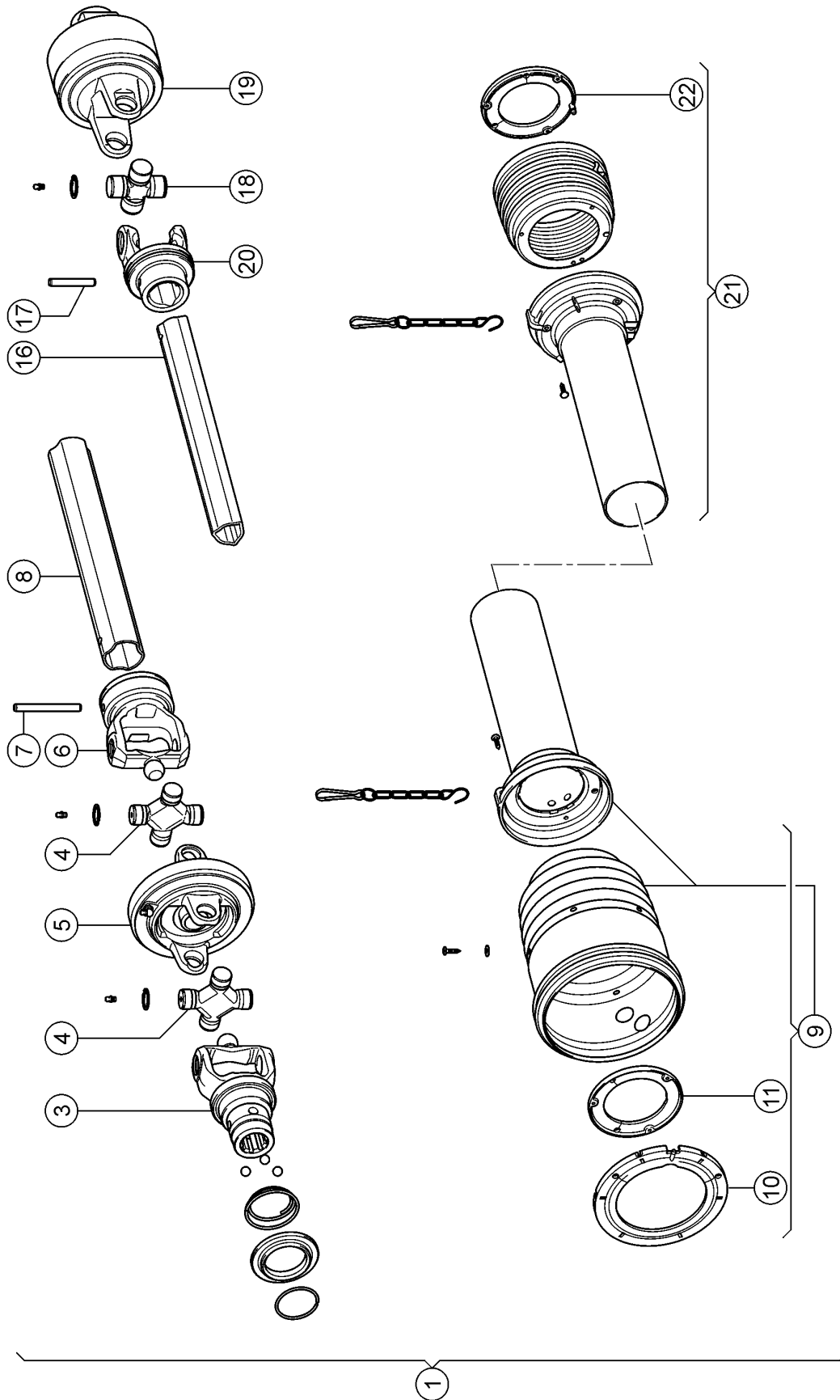
500 MAIN GEARBOX 1)

| Pos. | Part No. | Description | Dimension | Quantity | Conditions |
|-------------|----------------------|--------------------|-------------------------|-----------------|-------------------|
| 1 | 00 0822 996 0 | PROTECT.TUBE CPL. | | 1 | |
| 2 | 00 0822 998 1 | LOCK | | 2 | |
| 3 | 00 0237 950 1 | BLIND RIVET | 4,8X12 | 4 | |
| 4 | 00 0237 439 0 | HEXAGON HEAD BOLT | M8X16 | 3 | |
| 5 | 00 0239 387 0 | CONTACT WASHER | A8-8,2X18X1,4 | 3 | |
| 6 | 00 0843 463 0 | GUARD CUP | D206X1.5 | 1 | |
| 7 | 00 0234 320 0 | WASHER | 8,4X23X3 | 3 | |
| 8 | 00 1413 213 0 | TRANSFER GEARBOX | I=4 | 1 | |
| <hr/> | | | | | |
| 1) | Equipment | | | | |
| | | PR_P08_0020 | Input gearbox 1,000 rpm | | |



700 FASTENINGS / ATTACHMENT PARTS

| Pos. | Part No. | Description | Dimension | Quantity | Conditions |
|-------------|----------------------|--------------------|------------------|-----------------|-------------------|
| 1 | 00 0810 117 0 | BUSHING | D30X20 | 2 | |
| 2 | 00 0239 389 0 | CONTACT WASHER | A12 | 2 | |
| 3 | 00 0236 172 0 | HEXAGONAL NUT | M12 | 2 | |
| 4 | 00 0866 888 0 | PROTECTIVE TUBE | | 1 | |
| 5 | 00 0233 517 0 | SHIM | 90X110X1 | 1 | |
| 6 | 00 0843 465 0 | BEARING | | 1 | |
| 7 | 00 0237 033 0 | SPLIT PIN | 6,3X 40 | 2 | |
| 8 | 00 0836 261 1 | PIN | D25X48 | 2 | |
| 9 | 00 0234 238 0 | WASHER | 26X42X1 | 4 | |
| 10 | 00 0866 889 0 | SUPPORT | | 1 | |
| 11 | 00 0238 461 0 | COACH BOLT | M12X35 | 2 | |
| 11 | 00 0239 389 0 | CONTACT WASHER | A12 | 2 | |
| 11 | 00 0236 172 0 | HEXAGONAL NUT | M12 | 2 | |
| 12 | 00 0243 065 0 | CIRCLIP | 130X4 | 1 | |
| 13 | 00 0215 768 0 | GRVD.BALL BEARING | 6312-2RS* | 1 | |



100 DRIVE SHAFT, MAIN DRIVE 1)

| Pos. | Part No. | Description | Dimension | Quantity | Conditions |
|------|----------------------|-------------------|-----------|----------|------------|
| 1 | 00 0843 702 0 | DRIVE SHAFT ASSY. | | 1 | 2) |
| 3 | 00 0843 764 0 | FORK | | 1 | 2) |
| 4 | 00 0843 765 0 | CENTRE CROSS ASS. | | 2 | 2) |
| 5 | 00 0843 767 0 | FORK | | 1 | 2) |
| 6 | 00 0843 766 0 | INNER FORK | | 1 | 2) |
| 7 | 00 0234 862 0 | SPRING PIN | 10 X100 | 1 | 2) |
| 8 | 00 0843 768 0 | TUBE | | 1 | 2) |
| 9 | 00 0843 762 0 | GUARD HALF | | 1 | 2) |
| 10 | 00 0844 557 0 | RING | | 1 | 2) |
| 11 | 00 0844 558 0 | RING | | 1 | 2) |
| 16 | 00 0843 773 0 | TUBE | | 1 | 2) |
| 17 | 00 0244 579 0 | SPRING PIN | 10X65 | 1 | 2) |
| 18 | 00 0843 771 0 | CENTRE CROSS ASS. | | 1 | 2) |
| 19 | 00 0843 778 0 | CLUTCH | | 1 | 2) |
| 20 | 00 0843 772 0 | FORK | | 1 | 2) |
| 21 | 00 0843 763 0 | GUARD HALF | | 1 | 2) |
| 22 | 00 0836 346 0 | RING | | 1 | 2) |

1) Equipment

PR_M04_0060

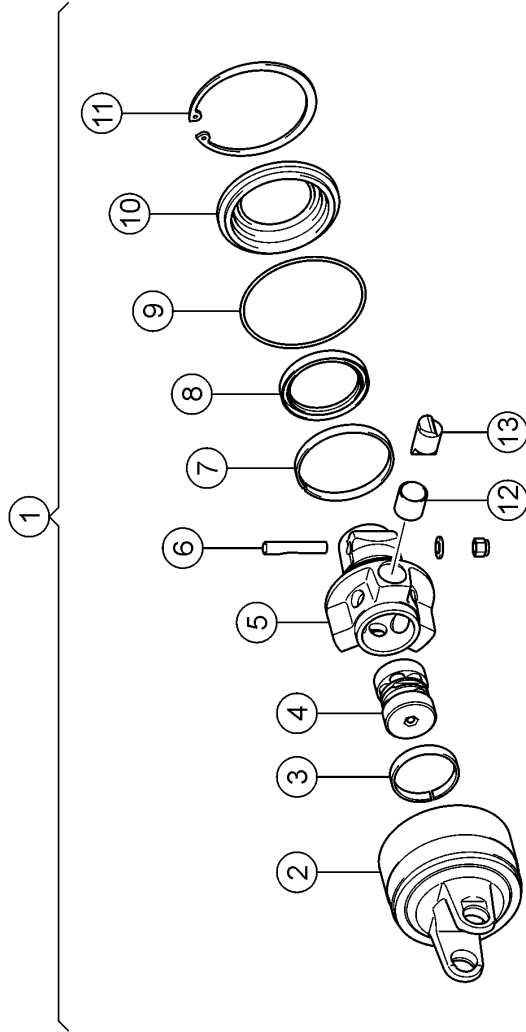
Single wide-angle PTO drive shaft with cam clutch

PR_M04_0380

Single wide-angle PTO drive shaft with cam clutch, 6 splines

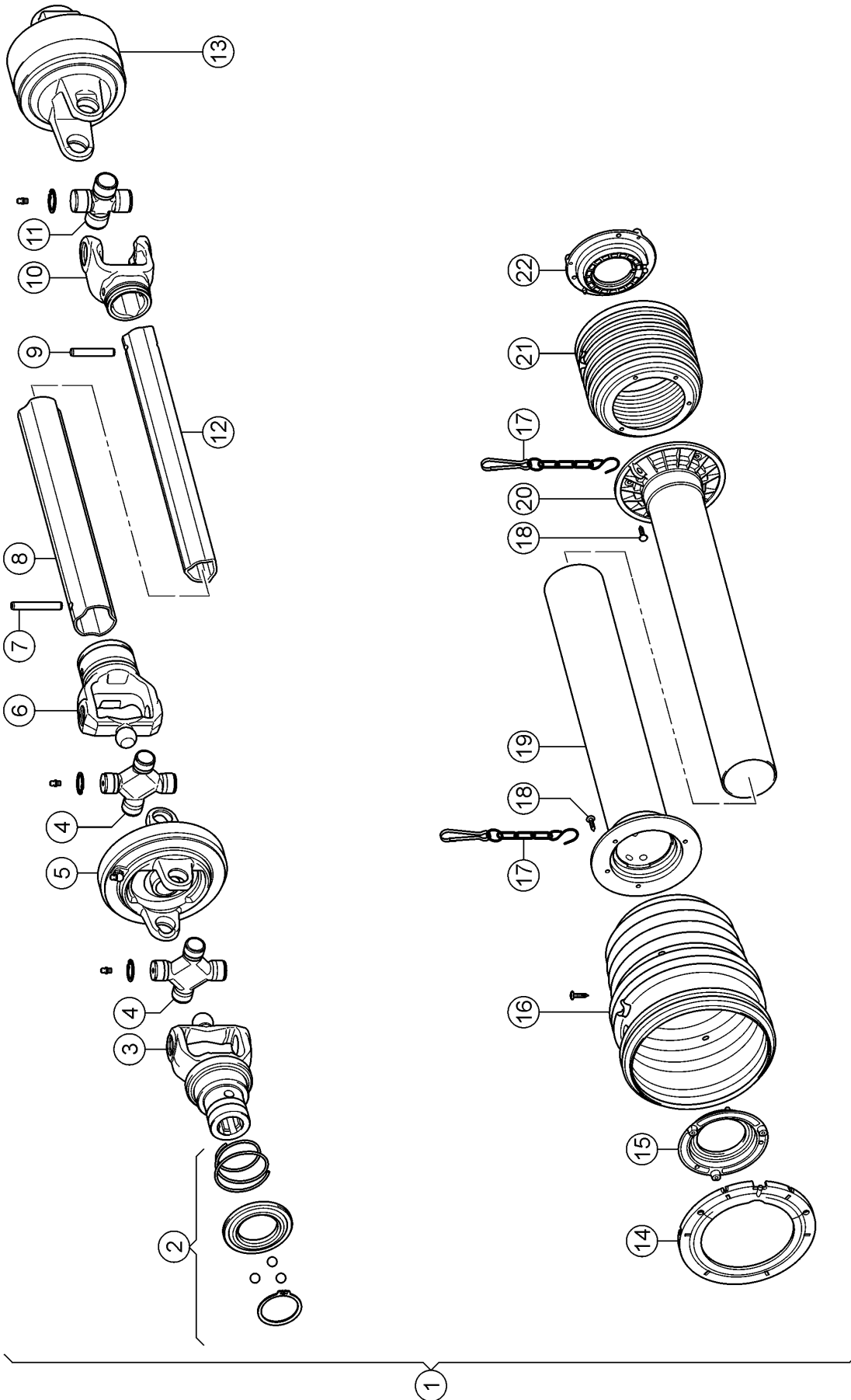
2) machine no.

+ up to J0300027



100 DRIVE SHAFT, MAIN DRIVE 1)

| Pos. | Part No. | Description | Dimension | Quantity | Conditions |
|-----------|----------------------|----------------------------|-----------|----------|---|
| 1 | 00 0843 778 0 | CLUTCH | | 1 | 2) |
| 2 | 00 0843 779 0 | CLUTCH HOUSING | | 1 | 2) |
| 3 | 00 0836 414 0 | RING | | 1 | 2) |
| 4 | 00 0843 780 1 | SPRING KIT | | 1 | 2) |
| 5 | 00 0843 781 0 | HUB | | 1 | 2) |
| 6 | 00 0843 782 0 | CLAMPING SCREW | | 1 | 2) |
| 7 | 00 0843 783 0 | RING | | 1 | 2) |
| 8 | 00 0843 784 0 | SEALING RING | | 1 | 2) |
| 9 | 00 0843 785 0 | O-RING | | 1 | 2) |
| 10 | 00 0843 786 0 | COVER | | 1 | 2) |
| 11 | 00 0214 628 0 | CIRCLIP | 138X4 | 1 | 2) |
| 12 | 00 0836 417 0 | BUSHING | | 1 | 2) |
| 13 | 00 0836 416 0 | BLOCK, BODY | | 1 | 2) |
| 1) | Equipment | PR_M04_0060 PR_M04_0380 | | | Single wide-angle PTO drive shaft with cam clutch Single wide-angle PTO drive shaft with cam clutch, 6 splines |
| 2) | machine no. | | | | + up to J0300027 |

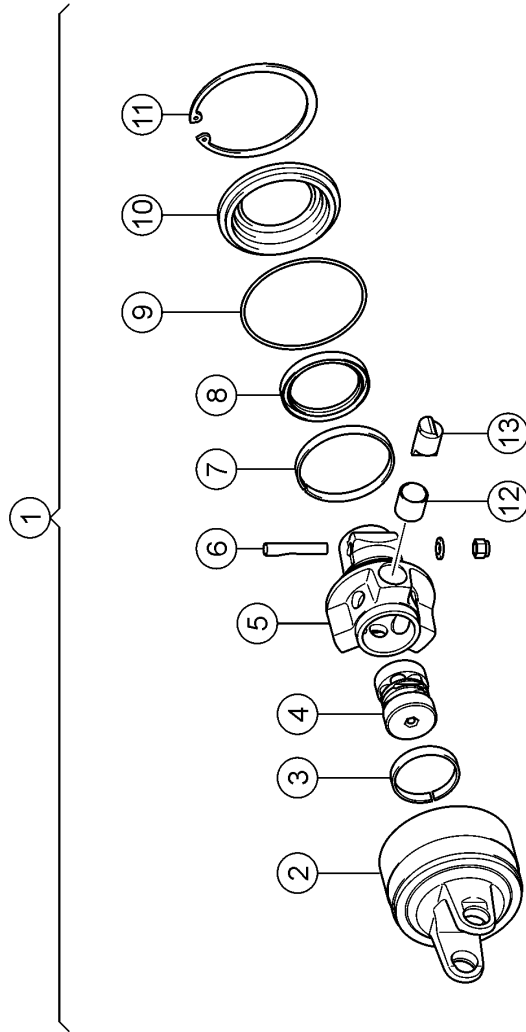


100 DRIVE SHAFT, MAIN DRIVE 1)

| Pos. | Part No. | Description | Dimension | Quantity | Conditions |
|------|----------------------|-------------------|--------------|----------|------------|
| 1 | 00 1352 943 0 | DRIVE SHAFT | | 1 | 2) |
| 2 | 00 0150 166 0 | DISCONNECT LOCK | | 1 | 2) |
| 3 | 00 0843 764 0 | FORK | | 1 | 2) |
| 4 | 00 0139 080 0 | CENTRE CROSS ASS. | | 2 | 2) |
| 5 | 00 0843 767 0 | FORK | | 1 | 2) |
| 6 | 00 1359 575 0 | YOKE | | 1 | 2) |
| 7 | 00 0237 614 2 | SPRING PIN | 10X 70 -ST | 1 | 2) |
| 8 | 00 0843 768 0 | TUBE | | 1 | 2) |
| 9 | 00 0237 613 2 | SPRING PIN | 10X 60 | 1 | 2) |
| 10 | 00 0935 538 0 | INNER FORK | | 1 | 2) |
| 11 | 00 0138 065 0 | CENTRE CROSS ASS. | | 1 | 2) |
| 12 | 00 1359 577 0 | PROFILE TUBE | | 1 | 2) |
| 13 | 00 1359 580 0 | POW INTERR CLUTCH | | 1 | 2) |
| 14 | 00 0844 557 0 | RING | | 1 | 2) |
| 15 | 00 1359 582 0 | DEPOSIT SURFACE | | 1 | 2) |
| 16 | 00 1359 581 0 | PROTECT.FUNNEL | | 1 | 2) |
| 17 | 00 0138 201 0 | SUPPORTING CHAIN | | 2 | 2) |
| 18 | 00 0214 631 0 | FILL HEAD SCREW | ST4,8X22-C-H | 6 | 2) |
| 19 | 00 1359 583 0 | PROTECTIVE TUBE | | 1 | 2) |
| 20 | 00 1359 585 0 | PROTECTIVE TUBE | | 1 | 2) |
| 21 | 00 1359 587 0 | PROTECT.FUNNEL | | 1 | 2) |
| 22 | 00 1359 588 0 | BEARING | | 1 | 2) |

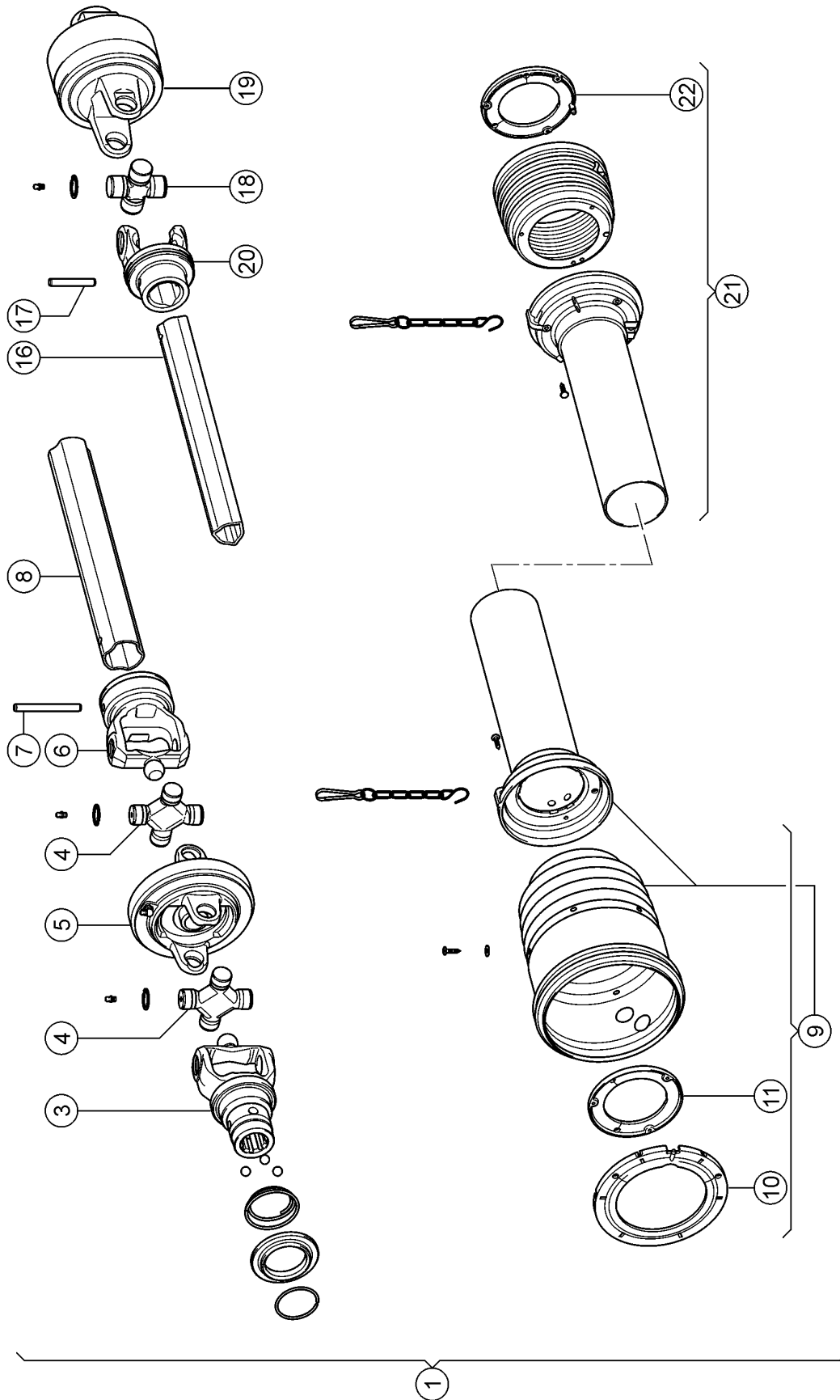
1) EquipmentPR_M04_0060
PR_M04_0380Single wide-angle PTO drive shaft with cam clutch
Single wide-angle PTO drive shaft with cam clutch, 6 splines**2) machine no.**

+ from J0300028



100 DRIVE SHAFT, MAIN DRIVE 1)

| Pos. | Part No. | Description | Dimension | Quantity | Conditions |
|-----------------------|----------------------|-------------------|-----------|----------|--|
| 1 | 00 1359 580 0 | POW INTERR CLUTCH | | 1 | 2) |
| 2 | 00 1359 591 0 | POW INTERR CLUTCH | | 1 | 2) |
| 3 | 00 0836 414 0 | RING | | 1 | 2) |
| 4 | 00 1359 594 0 | SPRING UNIT | | 1 | 2) |
| 5 | 00 1359 595 0 | HUB | | 1 | 2) |
| 6 | 00 0843 782 0 | CLAMPING SCREW | | 1 | 2) |
| 7 | 00 0843 783 0 | RING | | 1 | 2) |
| 8 | 00 0843 784 0 | SEALING RING | | 1 | 2) |
| 9 | 00 0843 785 0 | O-RING | | 1 | 2) |
| 10 | 00 0843 786 0 | COVER | | 1 | 2) |
| 11 | 00 0214 628 0 | CIRCLIP | 138X4 | 1 | 2) |
| 12 | 00 0836 417 0 | BUSHING | | 1 | 2) |
| 13 | 00 0151 051 0 | BLOCK, BODY | LR24 | 1 | 2) |
| 1) Equipment | | | | | |
| | | PR_M04_0060 | | | Single wide-angle PTO drive shaft with cam clutch |
| | | PR_M04_0380 | | | Single wide-angle PTO drive shaft with cam clutch, 6 splines |
| 2) machine no. | | | | | |
| | | | | | + from J0300028 |



Thank you so much for reading.
Please click the “Buy Now!”
button below to download the
complete manual.



After you pay.

You can download the most
perfect and complete manual in
the world immediately.

Our support email:

ebooklibonline@outlook.com