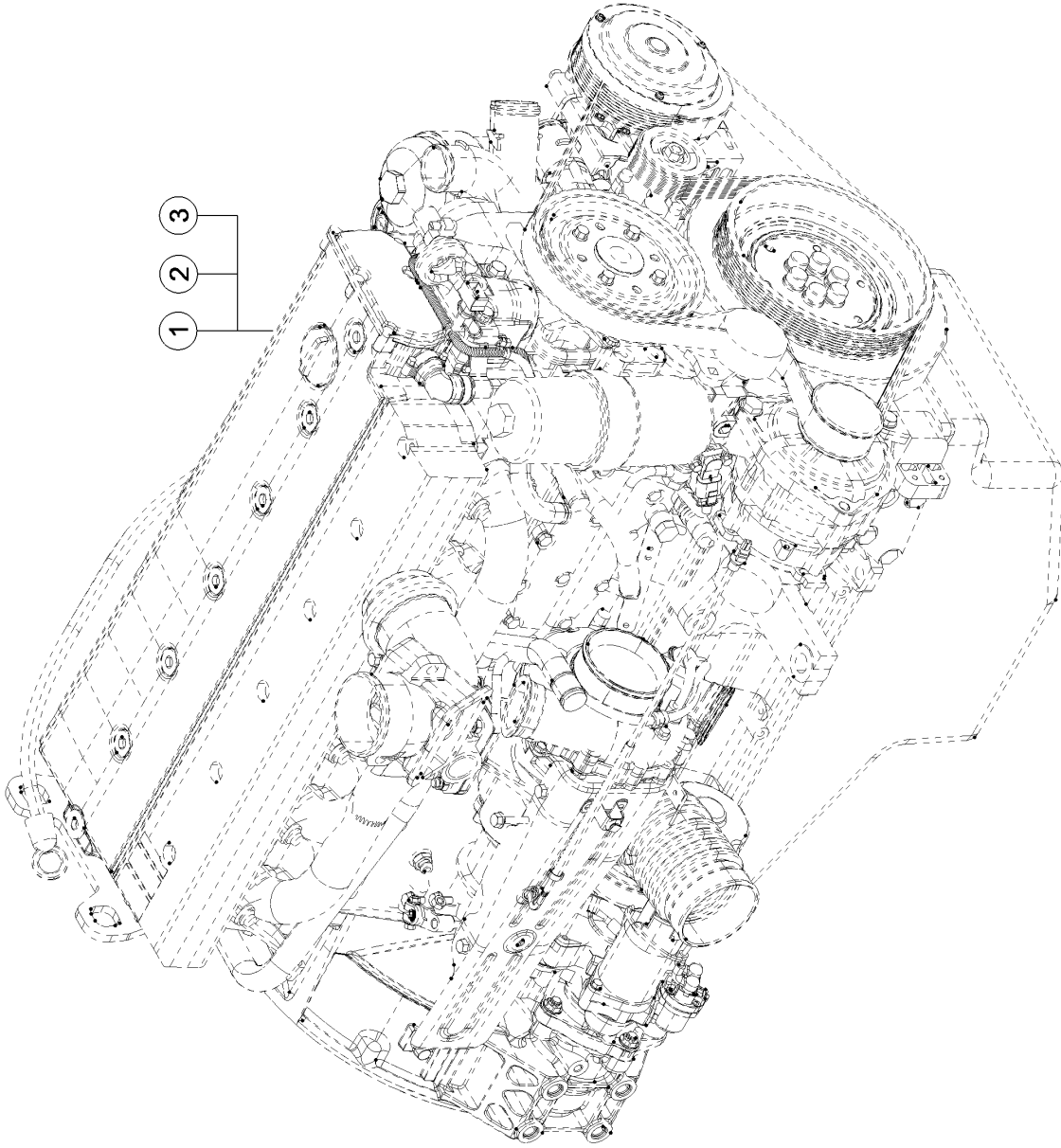


E0157 0102A010A 1



010 COMPLETE ENGINE

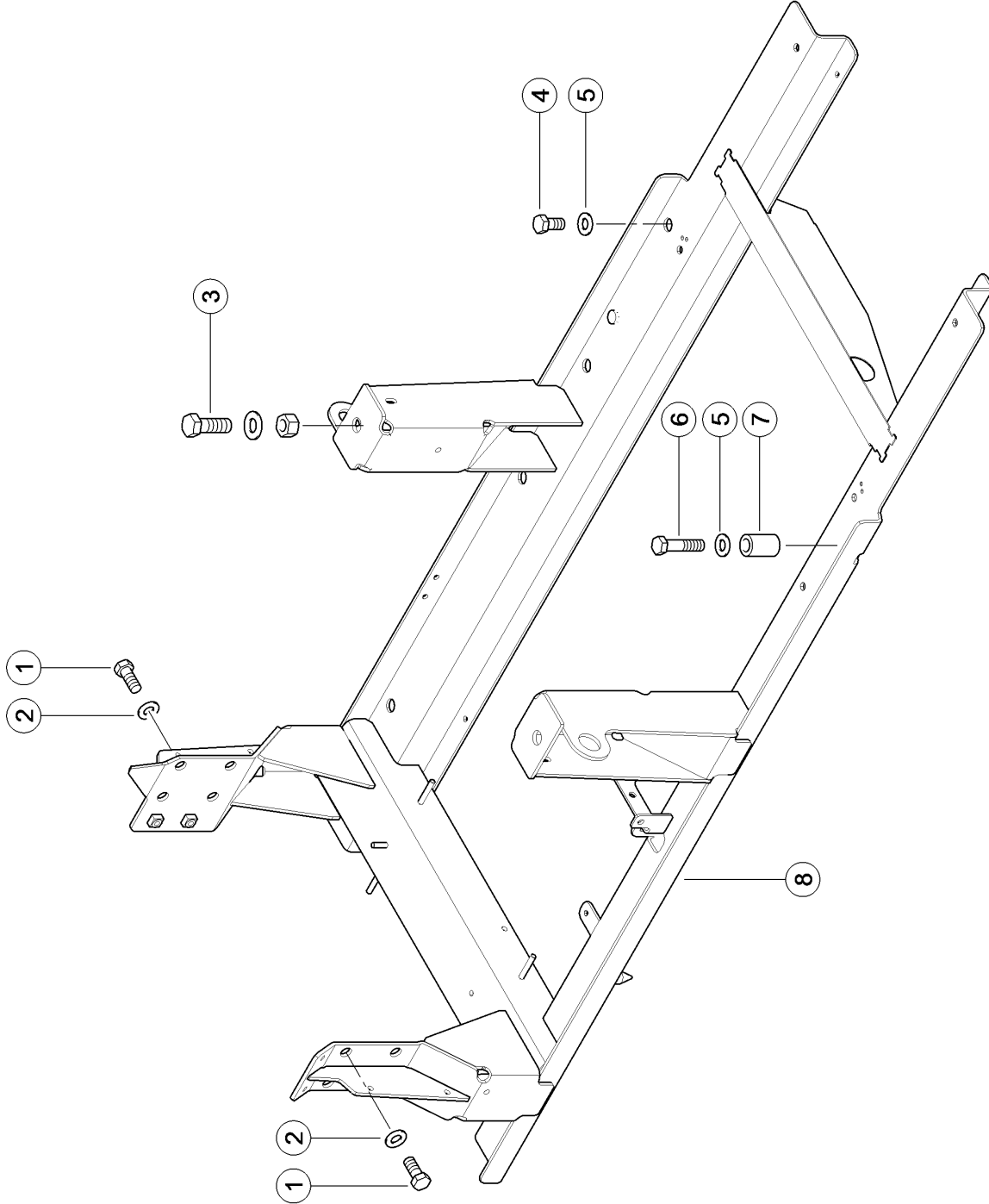
Pos.	Part No.	Description	Dimension	Quantity	Conditions
1	00 0791 592 0	ENGINE	OM 926 LA 240KW SE	1	1)
1	00 0791 593 0	ENGINE	OM 926 LA 240KW SE	1	2)
1	00 0530 181 1	ENGINE	OM 926 LA 240KW	1	3)
1	00 0798 544 2	ENGINE	OM 926 LA - 220KW	1	4)
			ANST		
1	00 0530 186 1	ENGINE	OM 926 LA 240KW	1	5)
1	00 0798 559 2	ENGINE	OM 926 LA 240KW - 20KW	1	6)
1	00 0799 859 2	ENGINE	OM 926 LA 240 KW TIER 4I	1	7)
1	00 0530 181 1	ENGINE	OM 926 LA 240KW	1	8)
1	00 0530 186 1	ENGINE	OM 926 LA 240KW	1	9)
1	00 0781 891 0	ENGINE	OM 926 LA 240 KW	1	10)
			STAGE I		
1	00 2599 297 0	ENGINE	OM926LA 240KW	1	11)
			STAGE IIIB		
1	00 2599 552 0	ENGINE	OM926LA 240KW	1	12)
			STAGE IIIB		
2	00 1992 171 0	ENGINE	REMAN OM 926 LA 220KW	1	13)
2	00 1992 171 0	ENGINE	REMAN OM 926 LA 220KW	1	14)
2	00 1992 171 0	ENGINE	REMAN OM 926 LA 220KW	1	15)
2	00 1992 171 0	ENGINE	REMAN OM 926 LA 220KW	1	16)
3	00 0780 575 0	ENGINE	C9 261KW EU FLEX	1	17)
3	00 0780 576 0	ENGINE	C9 261KW EU FLEX	1	18)
3	00 0799 939 0	ENGINE	C9 261KW, 2100RPM, LRC SA	1	19)
3	00 0799 940 0	ENGINE	C9 261KW, 2100RPM, LRC, S	1	20)

1) Equipment	MD_P02_0730 MD_P02_0732	Mercedes OM926LA engine (EWG220kW) without air compressor OM926LA EWG240kW
2) Equipment	MD_P02_0731 MD_P02_0733	Mercedes Benz OM926LA 220 kW/299 hp with air compressor OM926LA K EWG240kW
3) Equipment	MD_P02_1730	Mercedes Benz OM 926 LA 220 kW/299 hp (ECE R 120) + from 84006451 up to 84099999 + from C3600071 up to C3699999
4) Equipment	MD_P02_1730	Mercedes Benz OM 926 LA 220 kW/299 hp (ECE R 120) + from 84006011 up to 84006450 + from C3600011 up to C3600070
5) Equipment	MD_P02_1731	Mercedes Benz OM 926 LA 220 kW/299 hp (ECE R 120) with air comp. + from 84006451 up to 84099999 + from C3600071 up to C3699999
6) Equipment	MD_P02_1731	Mercedes Benz OM 926 LA 220 kW/299 hp (ECE R 120) with air comp. + from 84006011 up to 84006450 + from C3600011 up to C3600070
7) Equipment	MD_P02_0744	Mercedes Benz OM926 LA - 240 kW/326 hp (T4i) with air compressor + from 84000011 up to 84007134 + from C3600011 up to C3600193

010 COMPLETE ENGINE

8) Equipment	MD_P02_1732	Mercedes Benz OM 926 LA 240 kW/326 hp (ECE R 120)
9) Equipment	MD_P02_1733	Mercedes Benz OM 926 LA 240 kW/326 hp (ECE R 120) with air comp.
10) Equipment machine no.	MD_P02_0744	Mercedes Benz OM926 LA - 240 kW/326 hp (T4i) with air compressor + from 84007135 up to 84007199 + from C3600194 up to C3600195
11) Equipment machine no.	MD_P02_0744	Mercedes Benz OM926 LA - 240 kW/326 hp (T4i) with air compressor + from 84007200 up to 84007236 + from C3600196 up to C3600269
12) Equipment machine no.	MD_P02_0744	Mercedes Benz OM926 LA - 240 kW/326 hp (T4i) with air compressor + from 84007237 up to 84099999 + from C3600270 up to C3699999
13) Equipment Remarks	MD_P02_0730	Mercedes OM926LA engine (EWG220kW) without air compressor Exchange / Reman
14) Equipment Remarks	MD_P02_0731	Mercedes Benz OM926LA 220 kW/299 hp with air compressor Exchange / Reman
15) Equipment machine no.	MD_P02_1730	Mercedes Benz OM 926 LA 220 kW/299 hp (ECE R 120) + from 84006011 up to 84006450 + from C3600011 up to C3600070 Exchange / Reman
16) Equipment machine no.	MD_P02_1731	Mercedes Benz OM 926 LA 220 kW/299 hp (ECE R 120) with air comp. + from 84006011 up to 84006450 + from C3600011 up to C3600070 Exchange / Reman
17) Equipment	MD_P02_0655	CAT C9 engine (EWG258kW/ECE240kW) without air compressor
18) Equipment	MD_P02_0656	Caterpillar C9 261 kW/355 hp with air compressor
19) Equipment	MD_P02_1655	CATERPILLAR C9 258 kW (EEC) / 240 kW (ECE)
20) Equipment	MD_P02_1656	Caterpillar C9 261 kW / 355 hp (ECE R 120) with air compressor

E0157 0105A100A 1



100 ENGINE SUSPENSION 1)

Pos.	Part No.	Description	Dimension	Quantity	Conditions
1	00 0368 026 0	HEX.HEAD BOLT	M16X40	8	
2	00 0239 391 0	CONTACT WASHER	A16	16	
3	00 0237 591 0	HEX.HEAD BOLT	M20X60	2	
3	00 0237 521 0	HEX.NUT	M20	2	
3	00 0212 191 0	CONTACT WASHER	A20	2	
4	00 0236 230 0	HEXAGON HEAD BOLT	M16X35	8	
5	00 0239 391 0	CONTACT WASHER	A16	8	
6	00 0235 593 0	HEXAGON HEAD BOLT	M16X90	1	2)
7	00 0796 273 0	BUSHING	D32/D18X50	1	2)
8	00 0780 070 3	ENGINE MOUNTING		1	3)
8	00 0798 500 3	ENGINE MOUNTING		1	4)

1) Equipment

MD_P02_0730	Mercedes OM926LA engine (EWG220kW) without air compressor
MD_P02_0731	Mercedes Benz OM926LA 220 kW/299 hp with air compressor
MD_P02_0732	OM926LA EWG240kW
MD_P02_0733	OM926LA K EWG240kW
MD_P02_0744	Mercedes Benz OM926 LA - 240 kW/326 hp (T4i) with air compressor
MD_P02_1730	Mercedes Benz OM 926 LA 220 kW/299 hp (ECE R 120)
MD_P02_1731	Mercedes Benz OM 926 LA 220 kW/299 hp (ECE R 120) with air comp.
MD_P02_1732	Mercedes Benz OM 926 LA 240 kW/326 hp (ECE R 120)
MD P02 1733	Mercedes Benz OM 926 LA 240 kW/326 hp (ECE R 120) with air comp.

2) machine no.

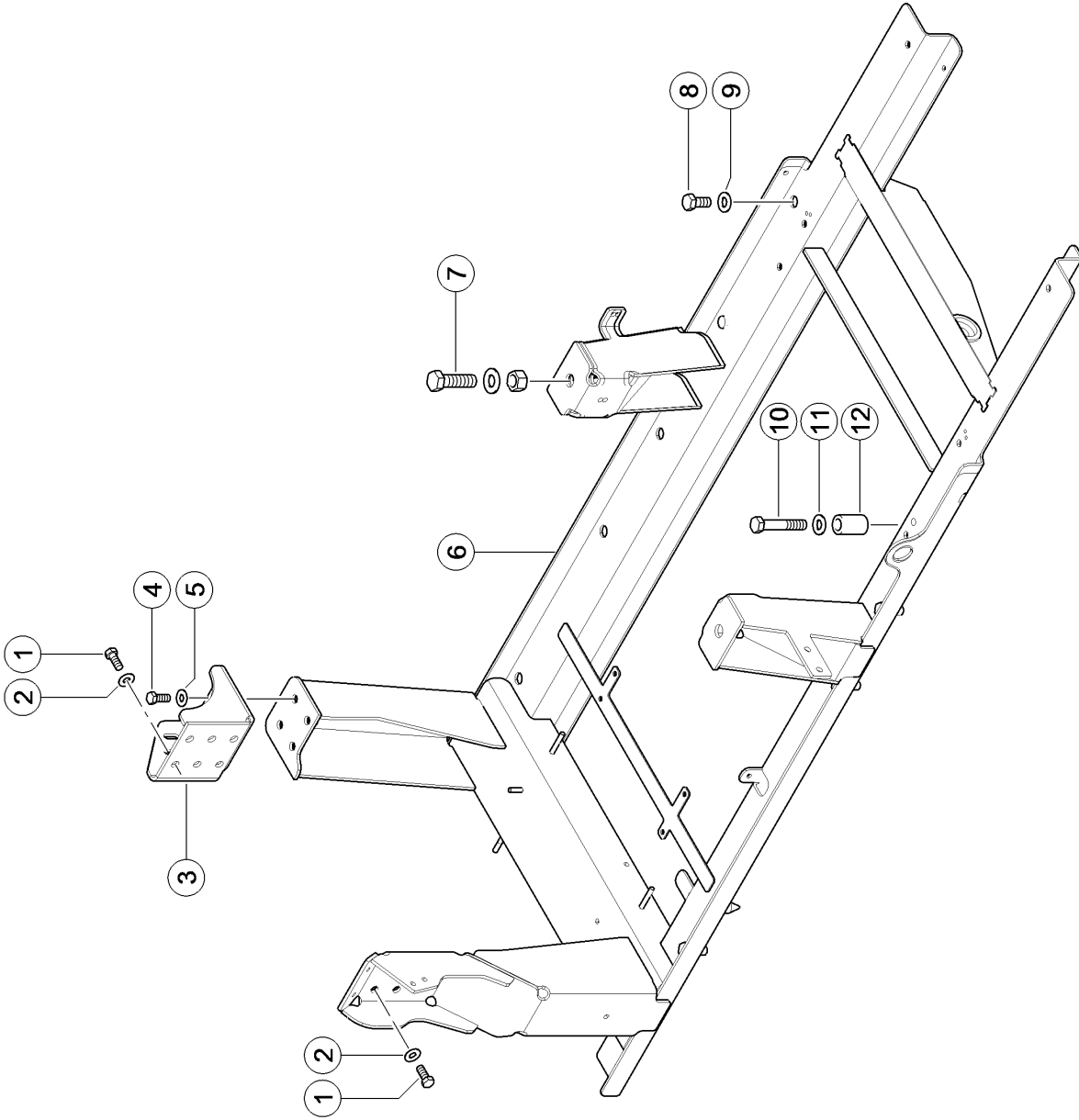
+ from 84000011 up to 84006832
+ from C3600011 up to C3600149

3) Equipment

MD_P02_0730	Mercedes OM926LA engine (EWG220kW) without air compressor
MD_P02_0731	Mercedes Benz OM926LA 220 kW/299 hp with air compressor
MD_P02_0732	OM926LA EWG240kW
MD_P02_0733	OM926LA K EWG240kW
MD_P02_0744	Mercedes Benz OM926 LA - 240 kW/326 hp (T4i) with air compressor
MD_P02_1730	Mercedes Benz OM 926 LA 220 kW/299 hp (ECE R 120)
MD_P02_1731	Mercedes Benz OM 926 LA 220 kW/299 hp (ECE R 120) with air comp.
MD_P02_1732	Mercedes Benz OM 926 LA 240 kW/326 hp (ECE R 120)
machine no.	Mercedes Benz OM 926 LA 240 kW/326 hp (ECE R 120) with air comp.

4) Equipment

MD_P02_0730	Mercedes OM926LA engine (EWG220kW) without air compressor
MD_P02_0731	Mercedes Benz OM926LA 220 kW/299 hp with air compressor
MD_P02_0744	Mercedes Benz OM926 LA - 240 kW/326 hp (T4i) with air compressor
MD_P02_1730	Mercedes Benz OM 926 LA 220 kW/299 hp (ECE R 120)
machine no.	Mercedes Benz OM 926 LA 220 kW/299 hp (ECE R 120) with air comp. + from 84006011 up to 84006412 + from C3600011 up to C3600070



100 ENGINE SUSPENSION 1)

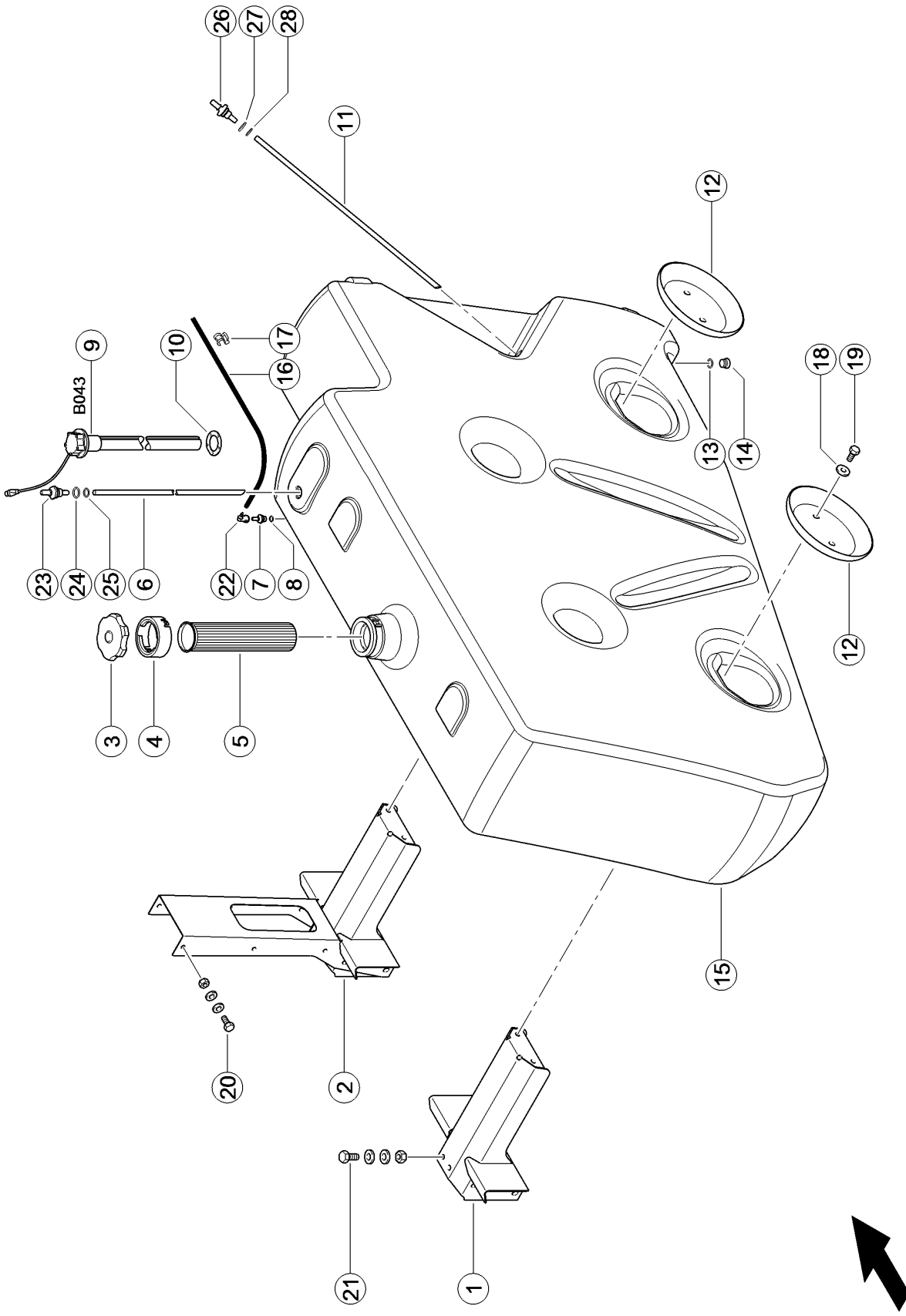
Pos.	Part No.	Description	Dimension	Quantity	Conditions
1	00 0233 456 0	HEXAGON HEAD BOLT	M12X30	16	
2	00 0239 389 0	CONTACT WASHER	A12	16	
3	00 0799 522 1	SUPPORT	6X271X418	1	
4	00 0233 456 0	HEXAGON HEAD BOLT	M12X30	4	
5	00 0239 389 0	CONTACT WASHER	A12	4	
6	00 0799 922 3	ENGINE MOUNTING	CAT	1	
7	00 0212 342 0	HEXAGON HEAD BOLT	M20X70	2	
7	00 0212 191 0	CONTACT WASHER	A20	2	
7	00 0237 521 0	HEX.NUT	M20	2	
8	00 0236 230 0	HEXAGON HEAD BOLT	M16X35	8	
9	00 0239 391 0	CONTACT WASHER	A16	7	
10	00 0235 593 0	HEXAGON HEAD BOLT	M16X90	1	2)
11	00 0239 391 0	CONTACT WASHER	A16	1	
12	00 0796 273 0	BUSHING	D32/D18X50	1	2)

1) Equipment

MD_P02_0655	CAT C9 engine (EWG258kW/ECE240kW) without air compressor
MD_P02_0656	Caterpillar C9 261 kW/355 hp with air compressor
MD_P02_1655	CATERPILLAR C9 258 kW (EEC) / 240 kW (ECE)
MD_P02_1656	Caterpillar C9 261 kW / 355 hp (ECE R 120) with air compressor

2) machine no.

+ from 84000011 up to 84006832
+ from C3600011 up to C3600149



100 FUEL TANK 1)

Pos.	Part No.	Description	Dimension	Quantity	Conditions
1	00 0548 203 0	MOUNT		1	2)
2	00 0548 204 0	MOUNT		1	3)
3	00 0034 018 0	CAP		1	
3	00 0581 279 0	CAP	ABSCHLIESSBAR	1	4)
4	00 0038 915 0	SOCKET	SV 80 B/40	1	
5	00 0736 238 0	TANK FILTER		1	
6	00 0550 065 1	RETURN PIPE		1	5)
6	00 0550 429 1	RETURN PIPE		1	6)
7	00 0794 995 0	BREATHER VALVE		1	5)
7	00 0794 417 2	VENTILATION		1	7)
8	00 0211 091 2	O-RING	12 X 2 NBR 80	1	5)
8	00 0217 460 0	O-RING	18,64X3,53 -N	1	7)
9	00 0548 196 0	LEVEL INDICATOR	D65X1080	1	8)
9	00 0783 653 0	PT SCREW	6ST 4X40	1	
10	00 0794 993 0	GASKET	VORRATSGEBER	1	
11	00 0550 064 1	SUCTION PIPE		1	5)
11	00 0550 428 1	SUCTION PIPE		1	9)
12	00 0548 224 0	WASHER		2	
13	00 0218 694 0	O-RING	18 X3 -N	1	
14	00 0550 068 0	SCREW PLUG		1	
15	00 0548 091 0	FUEL TANK		1	5)
15	00 0550 419 0	FUEL TANK		1	10)
16	00 0136 529 0	PVC-HOSE	4+0,1X6X10000	1	11)
16	00 0459 454 0	PVC-HOSE	6 X 1,5	1	12)
17	00 0549 960 1	CABLE TERMINAL		3	5)
17	00 0458 125 0	CLAMP	D8-D10	3	7)
18	00 0239 394 1	CONTACT WASHER	B10	4	
19	00 0237 382 0	HEXAGON HEAD BOLT	M10X20	4	
20	00 0237 382 0	HEXAGON HEAD BOLT	M10X20	6	
20	00 0239 388 0	CONTACT WASHER	A10-10,2X22,25X1,6	12	
20	00 0236 171 0	HEXAGONAL NUT	M10	6	
21	00 0237 461 0	HEXAGON HEAD BOLT	M12X30	12	
21	00 0239 389 0	CONTACT WASHER	A12	24	
21	00 0236 172 0	HEXAGONAL NUT	M12	12	
22	00 0217 501 0	CONNECTOR	NQS 1/2" - 6 X 90 GRAD	1	7)
23	00 0783 649 1	ADAPTER		1	13)
24	00 0217 460 0	O-RING	18,64X3,53 -N	1	7)
25	00 0218 694 0	O-RING	18 X3 -N	1	7)
26	00 0783 649 1	ADAPTER		1	14)
27	00 0217 460 0	O-RING	18,64X3,53 -N	1	7)
28	00 0218 694 0	O-RING	18 X3 -N	1	7)

1) EquipmentMD_P14_0065
MD_P14_0075Fuel tank 650 litres
Fuel tank 750 litres**2) Remarks**

to the rear

3) Remarks

front

4) Remarks

As per requirement.

5) machine no.

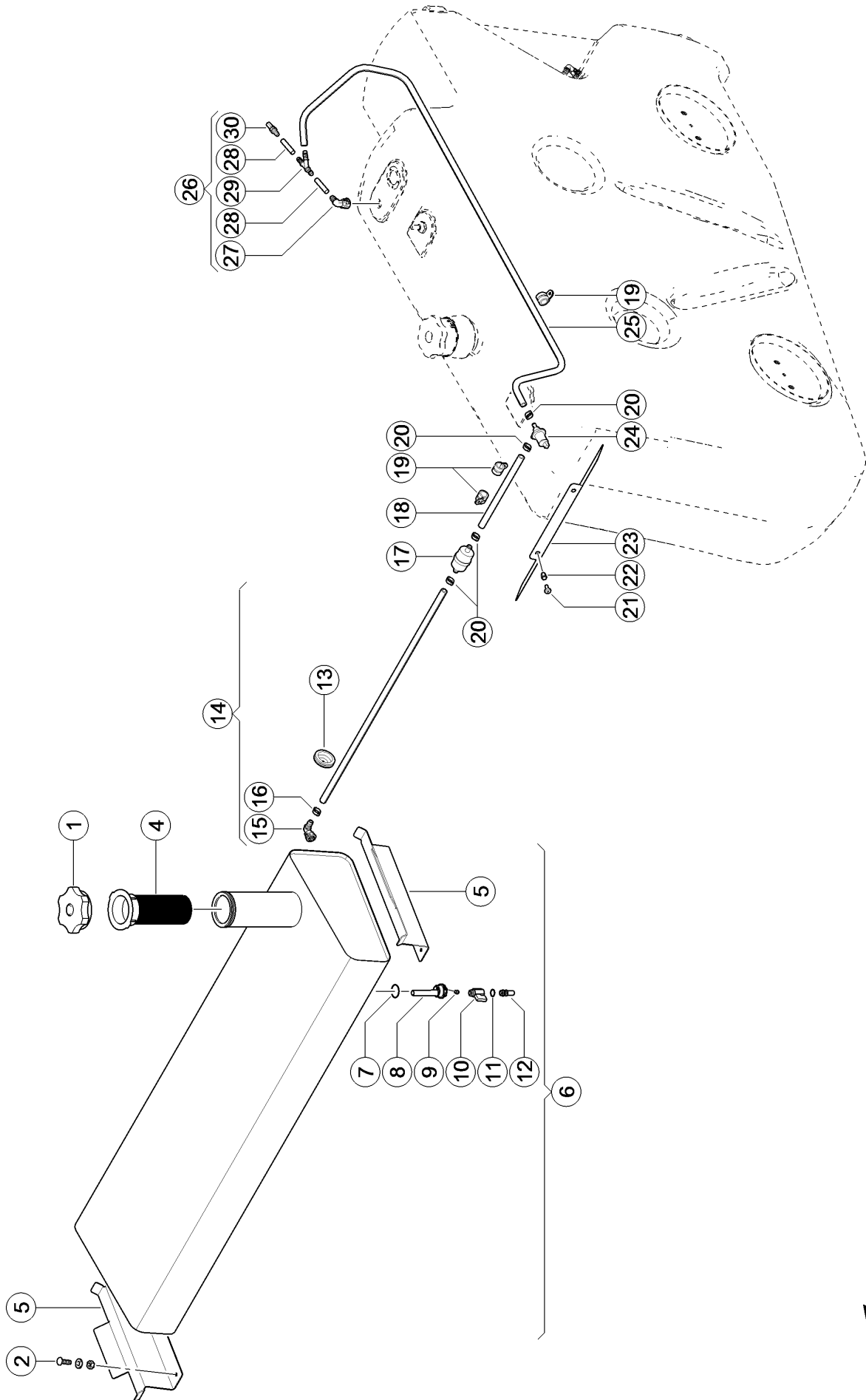
+ up to 84006043

6) machine no.+ from 84006044
with Item 23, 24, 25**7) machine no.**

+ from 84006044

100 FUEL TANK 1)

8) CCN	CCN-B043	fuel level sensor
9) machine no.		+ from 84006044 with Item 26 - 28
10) machine no.		+ from 84006044 with Item 3-7,9-11,13,14
11) machine no.		+ up to 84006043 2700 mm long
12) machine no.		+ from 84006044 2700 mm long
13) machine no.		+ from 84006044 up to 84099999 with Item 24
14) machine no.		+ from 84006044 with Item 27



E0157 0125A110A 1



110 ADITIONAL FUEL TANK 1)

Pos.	Part No.	Description	Dimension	Quantity	Conditions
1	00 0624 003 1	CAP	DV 80 GL	1	
2	00 0502 511 0	COACH BOLT	M10X25X20-F=3	6	
2	00 0239 388 0	CONTACT WASHER	A10-10,2X22,25X1,6	6	
2	00 0236 171 0	HEXAGONAL NUT	M10	3	
4	00 0736 238 0	TANK FILTER		1	
5	00 0550 932 1	MOUNT	3.0X472X241	2	
6	00 0548 896 1	ADDITIONAL TANK		1	2)
7	00 0217 459 1	O-RING	27X4,0 -N	1	
8	00 0783 643 1	PLUG	WASSER + G3/8"	1	
9	00 0687 625 1	HEXAGON HEAD BOLT	M8X17 F. TANK	1	
10	00 0783 652 0	BALL-TYPE TAP	WASSERABLA	1	
11	00 0216 366 0	O-RING	DN8-I-G3/8XA-G3/8	1	
12	00 0783 644 1	ADAPTOR	10,50X1,5 NBR80	1	
13	00 0546 399 0	CABLE RING	G3/8"- 1/2" SAE J 20441	1	
14	00 0550 098 0	PRE-ASSEMBLED LINE	C 20X50X5	1	3)
15	00 0798 863 0	CONNECTOR		1	
16	00 0238 269 0	2-EAR-CLAMP	NORMAQUICK S NW	1	
17	00 0783 662 0	CHANGEABLE FILTER	1/2"-10-	1	
18	00 0217 524 0	HOSE	15-18	1	
19	00 0216 156 0	PIPE CLAMP	20M ROLLE-B 11X3,5	1	4)
20	00 0238 269 0	2-EAR-CLAMP	D1-19X20	3	
21	00 0963 668 0	PANHEAD SCREW W. IN HEX.	15-18	3	
22	00 0216 267 0	BLIND RIVET.NUT	M8X20-DK=18	2	
23	00 0550 344 0	COVER PLATE	M 8X18-SW11-KL=0,	2	
24	00 0755 465 0	SHUT OFF VALVE	5-3,0	1	
25	00 0217 524 0	HOSE	1,5X124X570	1	
26	00 0550 088 1	PRE-ASSEMBLED LINE		1	5)
27	00 0798 863 0	CONNECTOR	20M ROLLE-B 11X3,5	1	6)
28	00 0550 089 0	FUEL HOSE	1/2"-10-	2	
29	00 0798 862 0	CONNECTOR	1/2" - 10	1	
30	00 0798 862 0	CONNECTOR	1/2" - 10	1	

1) Equipment

MD_P14_0075

Fuel tank 750 litres

2) Remarks

with Item 1,4,7-12

3) Remarks

with Item 15 - 16

4) Remarks

1760 long

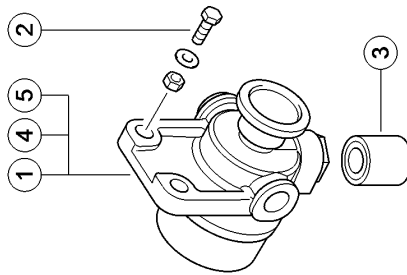
5) Remarks

300 long

6) Remarks

with item 27 - 30

E0157 0125A120A 1



120 FUEL DELIVERY PUMP

Pos.	Part No.	Description	Dimension	Quantity	Conditions
1	00 0068 665 0	HAND PUMP	H11K06 M16X1,5	1	1)
1	00 0360 431 1	FUEL PUMP		1	2)
2	00 0237 442 0	HEXAGON HEAD BOLT	M8X25	2	
2	00 0239 393 1	CONTACT WASHER	B 8 -8.2X22X1,9	2	
2	00 0236 170 0	HEXAGONAL NUT	M8	2	
3	00 0077 445 0	FILTER ELEMENT		1	3)
4	00 0077 446 0	SEALING RING	F. H11 K02	1	3)
5	00 0077 447 0	INSPECTION GLASS		1	3)

1) Equipment

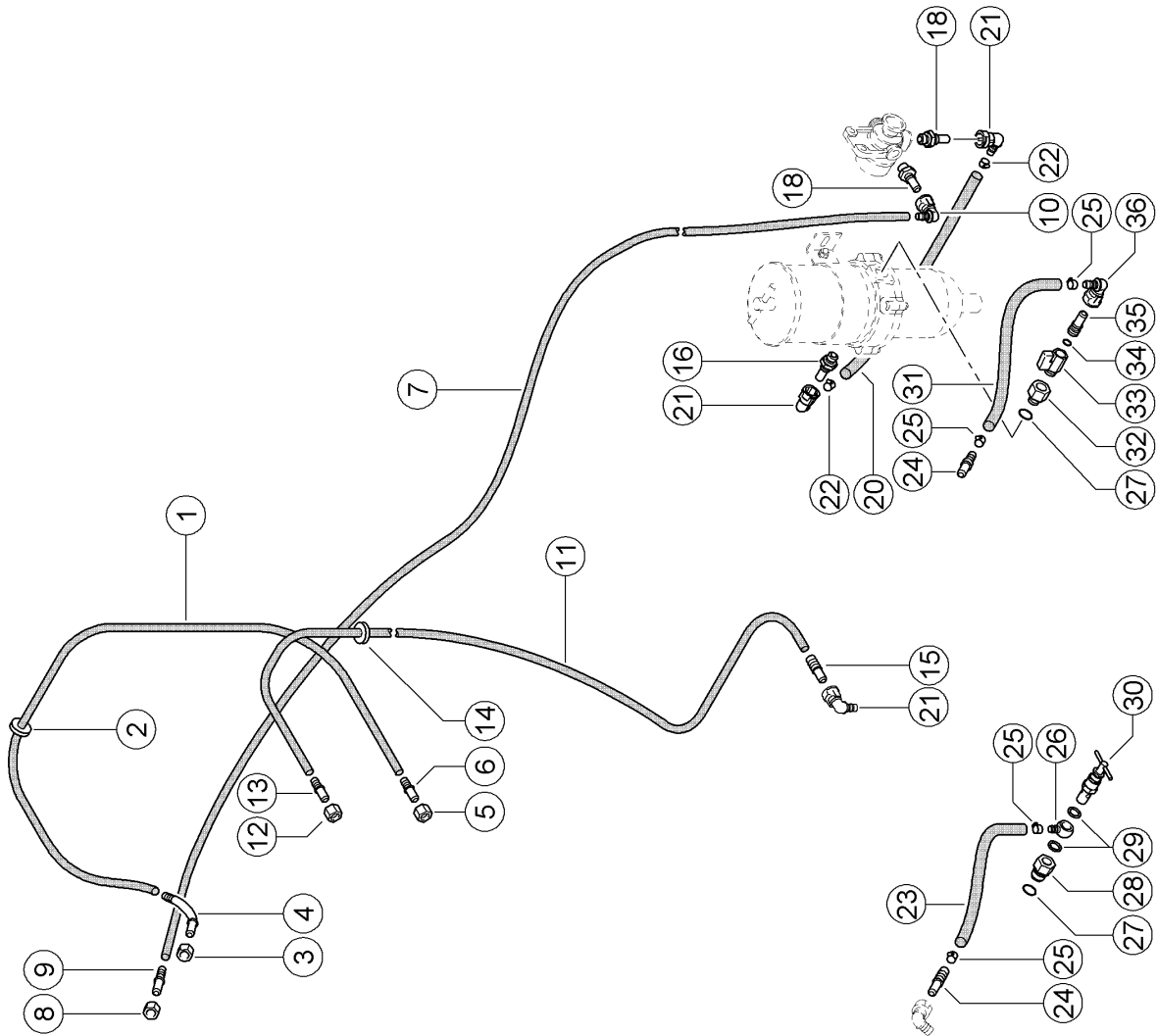
MD_P02_0730	Mercedes OM926LA engine (EWG220kW) without air compressor
MD_P02_0731	Mercedes Benz OM926LA 220 kW/299 hp with air compressor
MD_P02_1730	Mercedes Benz OM 926 LA 220 kW/299 hp (ECE R 120)
Remarks MD_P02_1731	Mercedes Benz OM 926 LA 220 kW/299 hp (ECE R 120) with air comp. with Item 3 - 5

2) Equipment

MD_P02_0655	CAT C9 engine (EWG258kW/ECE240kW) without air compressor
MD_P02_0656	Caterpillar C9 261 kW/355 hp with air compressor
MD_P02_1655	CATERPILLAR C9 258 kW (EEC) / 240 kW (ECE)
MD_P02_1656	Caterpillar C9 261 kW / 355 hp (ECE R 120) with air compressor

3) Equipment

MD_P02_0730	Mercedes OM926LA engine (EWG220kW) without air compressor
MD_P02_0731	Mercedes Benz OM926LA 220 kW/299 hp with air compressor
MD_P02_1730	Mercedes Benz OM 926 LA 220 kW/299 hp (ECE R 120)
MD_P02_1731	Mercedes Benz OM 926 LA 220 kW/299 hp (ECE R 120) with air comp.



E0157 0125A140A 1



Thank you so much for reading.
Please click the “Buy Now!”
button below to download the
complete manual.



After you pay.

You can download the most
perfect and complete manual in
the world immediately.

Our support email:

ebooklibonline@outlook.com