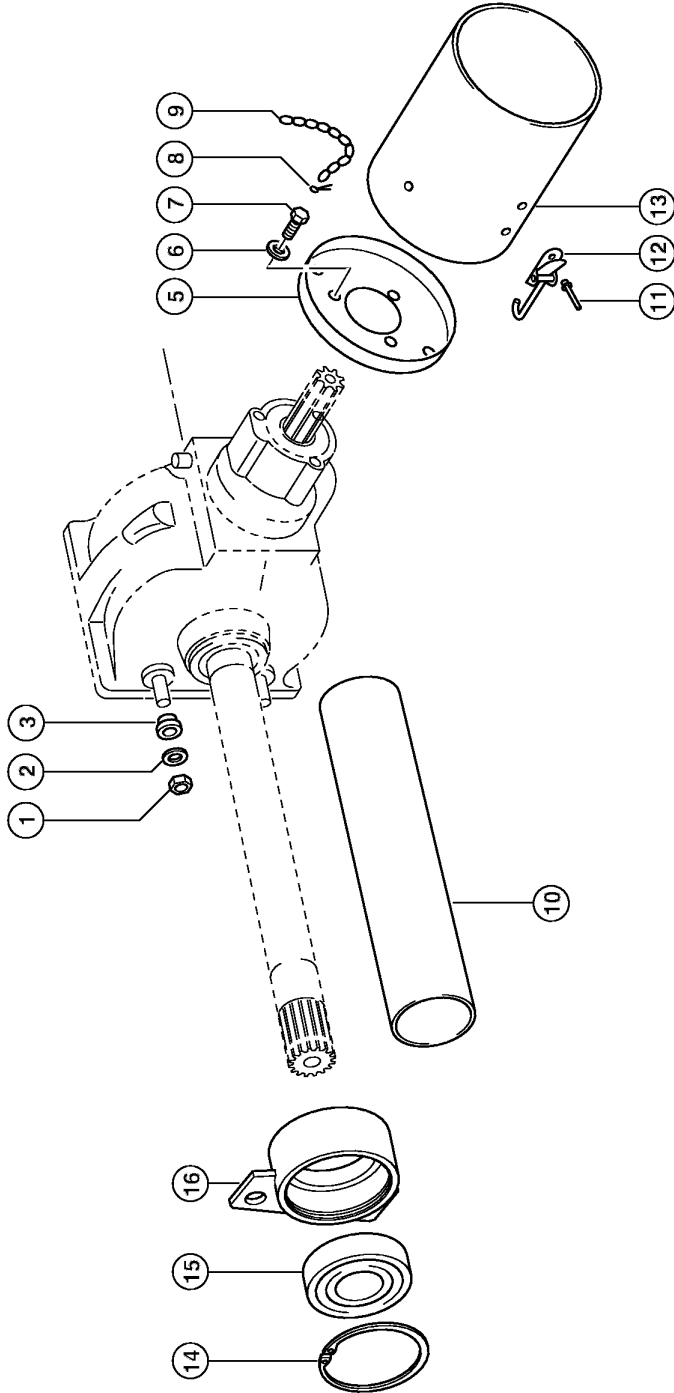


1

CLAAS

VARIANT 365 RC



76362Z00
VARIANT 365

131655

GEARBOX WIT INTERMEDIATE DRIVE ASSY 1)

Pos.	Part No.	Description	Dimension	Quantity	Conditions
1	00 0236 172 0	HEXAGONAL NUT	M12	1	
2	00 0239 389 0	CONTACT WASHER	A12	1	
3	00 0810 117 0	BUSHING	D30X20	1	
5	00 0843 463 0	GUARD CUP	D206X1.5	1	
6	00 0239 387 0	CONTACT WASHER	A8-8,2X18X1,4	3	
7	00 0237 439 0	HEXAGON HEAD BOLT	M8X16	3	
8	00 0235 089 0	SPLIT PIN	4 X 22	1	
9	00 0608 099 0	ROUND STEEL CHAIN	G 3X16-17GL	1	
10	00 0821 067 1	PROTECTIVE TUBE	D 110 X 496LG	1	
11	00 0237 950 1	BLIND RIVET	4,8X12	1	
12	00 0822 998 1	LOCK		1	
13	00 0822 996 0	PROTECT.TUBE CPL.		1	
14	00 0243 065 0	CIRCLIP	130X4	1	
15	00 0215 768 0	GRVD.BALL BEARING	6312-2RS*	1	
16	00 0843 465 0	BEARING		1	

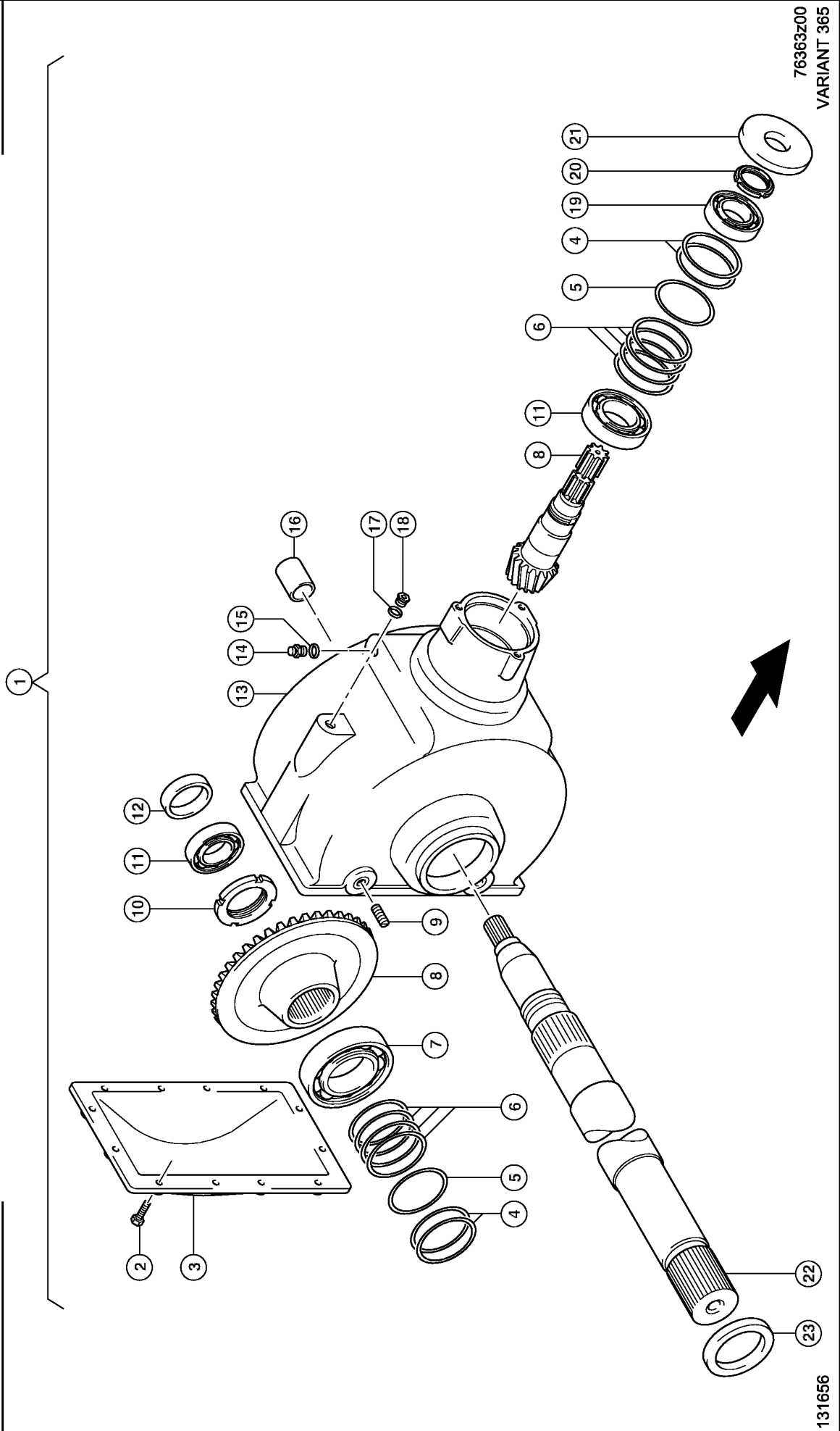
1) Remarks

P 08/20 1000 U/Min Ü=5,35:1

2

CLAAS

VARIANT 365 RC



76363Z00
VARIANT 365

131656

ANGLE DRIVE GEAR BOX 1)

Pos.	Part No.	Description	Dimension	Quantity	Conditions
1	00 0843 199 0	ANGLE DRIVE	I=5,35; 1350NM	1	
2	00 0237 442 0	HEXAGON HEAD BOLT	M8X25	12	
3	00 0843 462 0	COVER		1	
4	00 0211 963 0	SHIM	100X110X0,1	4	
5	00 0211 964 0	SHIM	100X110X0,3	2	
6	00 0211 966 0	SHIM	100X110X1	4	
7	00 0243 661 0	TA.ROLLER BEARING	30212A	1	
8	00 0834 825 0	BEVEL GEAR SET		1	
9	00 0244 014 1	STUD BOLT	M12X 45	2	
10	00 0823 993 0	SLOTTED NUT	M55X1,5	1	
11	00 0234 829 0	TA.ROLLER BEARING	30209 J2/Q	2	
12	00 0213 961 0	SHAFT SEAL	AS 30X 55X10	1	
13	00 0843 461 0	HOUSING		1	
14	00 0827 581 0	BREATHER VALVE	1021-04-401-00	1	
15	00 0238 183 0	SEALING RING	A16 X20	2	
16	00 0836 429 0	SHAFT GUARD	EP 190/W24	1	
17	00 0238 183 0	SEALING RING	A16 X20	2	
18	00 0244 351 0	SCREW PLUG	M16X1,5	1	
19	00 0234 829 0	TA.ROLLER BEARING	30209 J2/Q	1	
20	00 0823 994 0	SLOTTED NUT	M45X1,5	1	
21	00 0213 766 0	SHAFT SEAL	AS 40X 90X12	1	
22	00 0851 341 0	SHAFT		1	
23	00 0211 034 0	ROTARY SHAFT SEAL	AS 60X 85X 8	1	

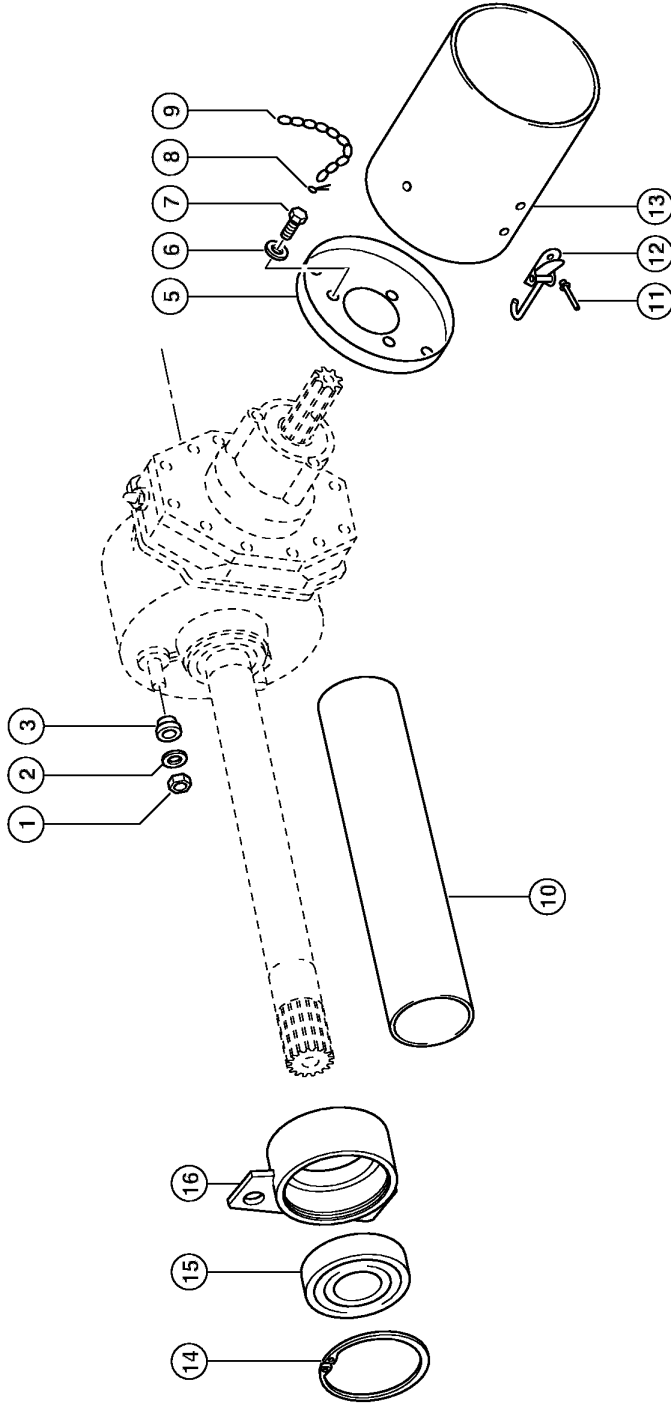
1) Remarks

P 08/20 1000 U/Min Ü=5,35:1

4

CLAAS

VARIANT 365 RC



76364Z00
VARIANT 365

131657

GEARBOX WIT INTERMEDIATE DRIVE ASSY 1)

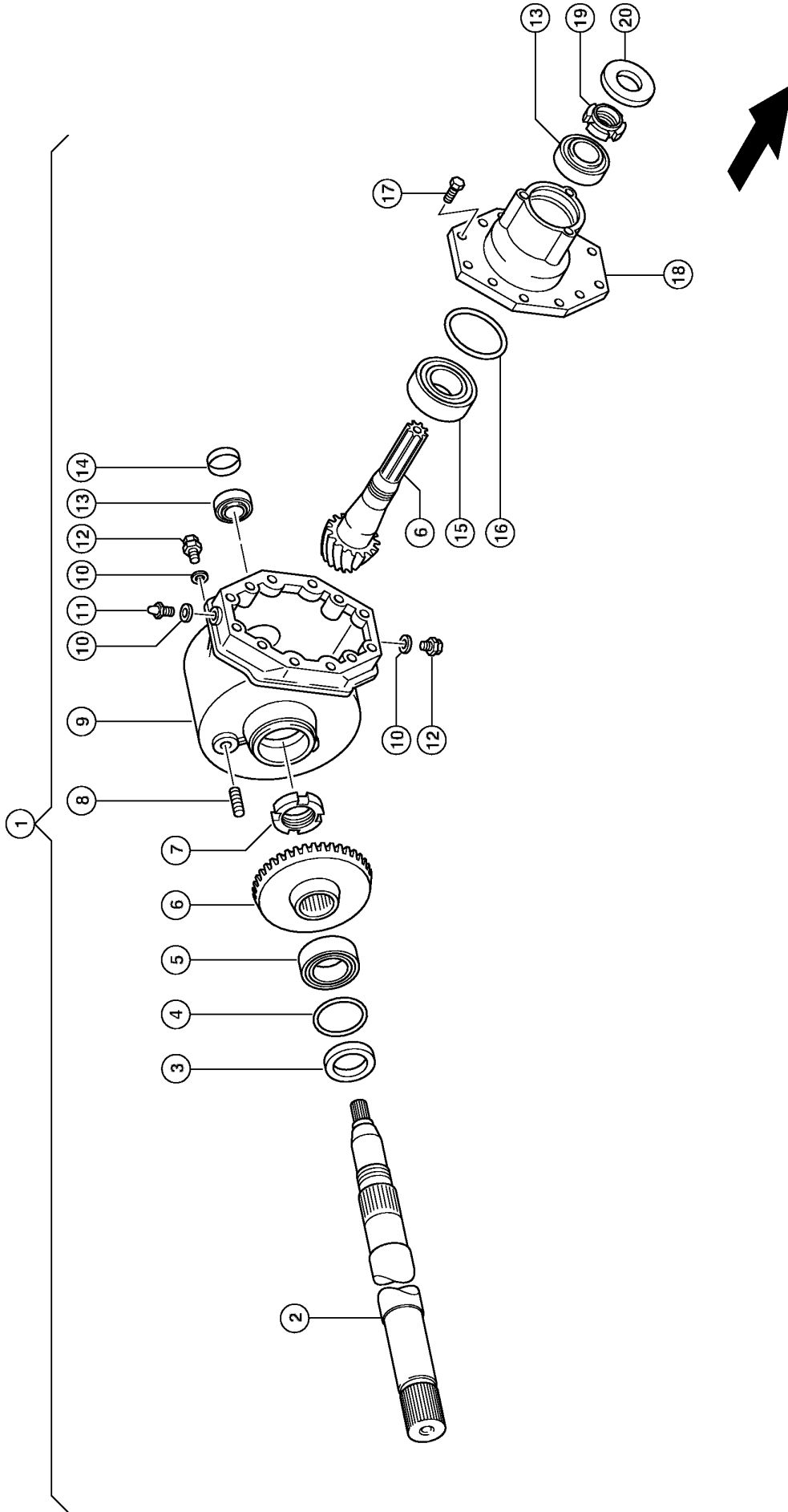
Pos.	Part No.	Description	Dimension	Quantity	Conditions
1	00 0236 172 0	HEXAGONAL NUT	M12	1	
2	00 0239 389 0	CONTACT WASHER	A12	1	
3	00 0810 117 0	BUSHING	D30X20	1	
5	00 0843 463 0	GUARD CUP	D206X1.5	1	
6	00 0239 387 0	CONTACT WASHER	A8-8,2X18X1,4	3	
7	00 0237 439 0	HEXAGON HEAD BOLT	M8X16	3	
8	00 0235 089 0	SPLIT PIN	4 X 22	1	
9	00 0608 099 0	ROUND STEEL CHAIN	G 3X16-17GL	1	
10	00 0821 067 1	PROTECTIVE TUBE	D 110 X 496LG	1	
11	00 0237 950 1	BLIND RIVET	4,8X12	1	
12	00 0822 998 1	LOCK		1	
13	00 0822 997 1	PROTECTIVE TUBE	200X4X235	1	
14	00 0243 065 0	CIRCLIP	130X4	1	
15	00 0215 768 0	GRVD.BALL BEARING	6312-2RS*	1	
16	00 0843 465 0	BEARING		1	

1) RemarksP 08/10 540 U/Min. $\ddot{U}=2,88:1$

5

CLAAS

VARIANT 365 RC



76365Z00
VARIANT 365

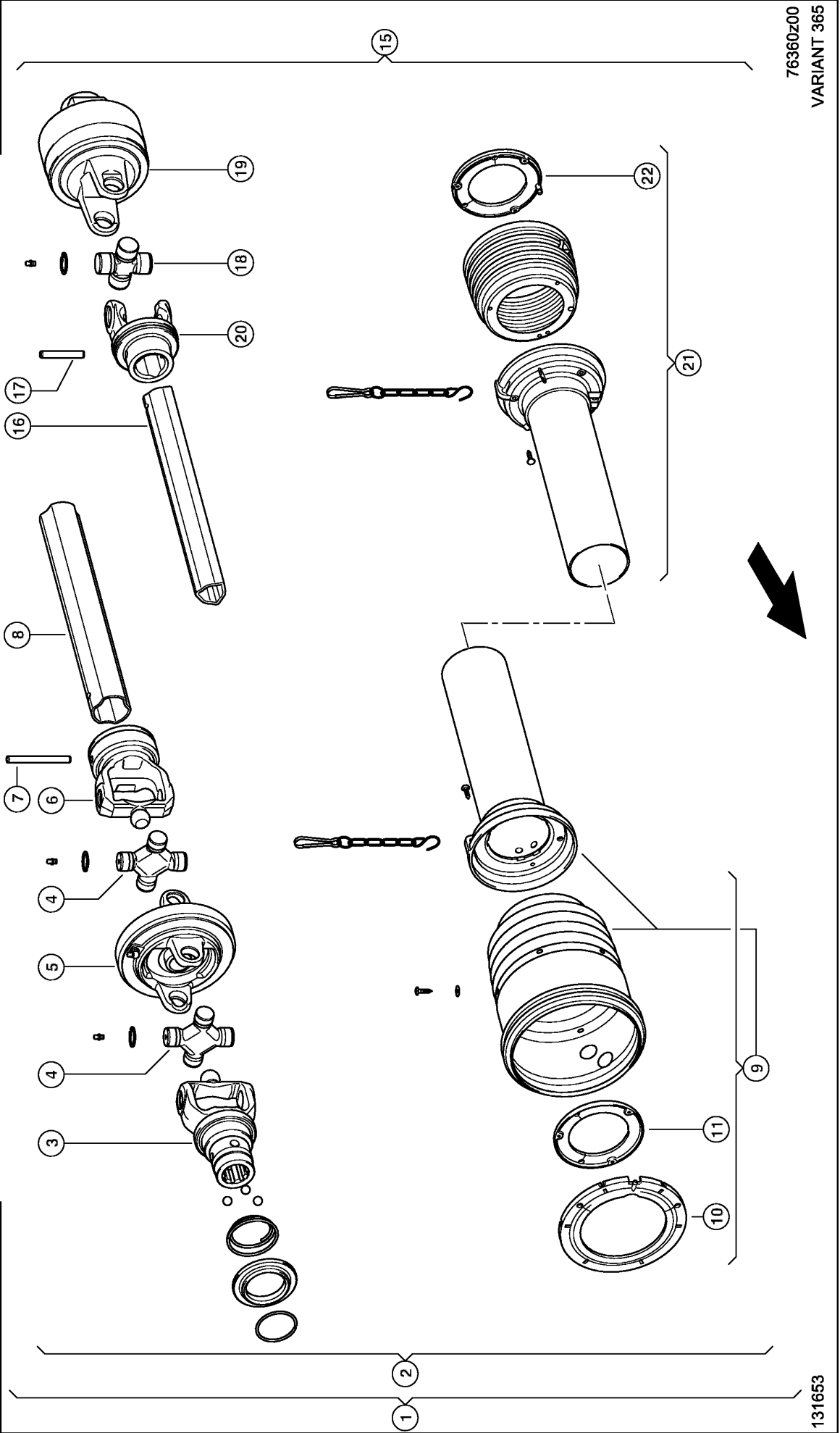
131658

ANGLE DRIVE GEAR BOX 1)

Pos.	Part No.	Description	Dimension	Quantity	Conditions
1	00 0843 460 1	GEARBOX	I=2,89	1	
2	00 0851 341 0	SHAFT		1	
3	00 0211 034 0	ROTARY SHAFT SEAL	AS 60X 85X 8	1	
4	00 0213 765 0	SHIM	85X 95X0,5	1	
4	00 0213 764 0	SHIM	85X 95X0,3	1	
4	00 0213 962 0	SHIM	85X 95X0,1	1	
5	00 0212 210 0	TA.ROLLER BEARING	330 12	1	
6	00 0823 942 0	BEVEL GEAR SET	I=2,88	1	
7	00 0823 993 0	SLOTTED NUT	M55X1,5	1	
8	00 0244 014 1	STUD BOLT	M12X 45	2	
9	00 0844 564 0	HOUSING		1	
10	00 0238 183 0	SEALING RING	A16 X20	4	
11	00 0940 866 0	BREATHER VALVE	M 16X1,5 M. SPRITZROHR	1	
12	00 0244 351 0	SCREW PLUG	M16X1,5	3	
13	00 0234 829 0	TA.ROLLER BEARING	30209 J2/Q	2	
14	00 0213 961 0	SHAFT SEAL	AS 30X 55X10	1	
15	00 0243 686 0	TA.ROLLER BEARING	30311A - 55X120X31,5	1	
16	00 0214 179 0	SHIM	110X120X0,1 ERS.D. 21417	1	
16	00 0214 180 0	SHIM	110X120X0,3 ERS.D. 21418	1	
16	00 0214 181 0	SHIM	110X120X0,5 ERS.D. 21418	1	
17	00 0237 572 0	HEXAGON HEAD BOLT	M12X35	12	
18	00 0844 565 0	BEARING HOUSING		1	
19	00 0823 994 0	SLOTTED NUT	M45X1,5	1	
20	00 0213 766 0	SHAFT SEAL	AS 40X 90X12	1	
1)	Remarks	P 08/10 540 U/Min. Ü=2,88:1			

40

CLAAS



76360z00
VARIANT 365

131653

UNIVERSAL DRIVE SHAFT WITH CUT - OUT CLU 1)

Pos.	Part No.	Description	Dimension	Quantity	Conditions
1	00 0843 702 0	DRIVE SHAFT ASSY.		1	
3	00 0843 764 0	FORK		1	
4	00 0843 765 0	CENTRE CROSS ASS.		2	
5	00 0843 767 0	FORK		1	
6	00 0843 766 0	INNER FORK		1	
7	00 0234 862 0	SPRING PIN	10 X100	1	
8	00 0843 768 0	TUBE		1	
9	00 0843 762 0	GUARD HALF		1	2)
10	00 0844 557 0	RING		1	
11	00 0844 558 0	RING		1	
16	00 0843 773 0	TUBE		1	
17	00 0244 579 0	SPRING PIN	10X65	1	
18	00 0843 771 0	CENTRE CROSS ASS.		1	
19	00 0843 778 0	CLUTCH		1	3)
20	00 0843 772 0	FORK		1	
21	00 0843 763 0	GUARD HALF		1	4)
22	00 0836 346 0	RING		1	

1) Remarks m 04 / 30 = 6-Tlg.Anschluss
Bondioli

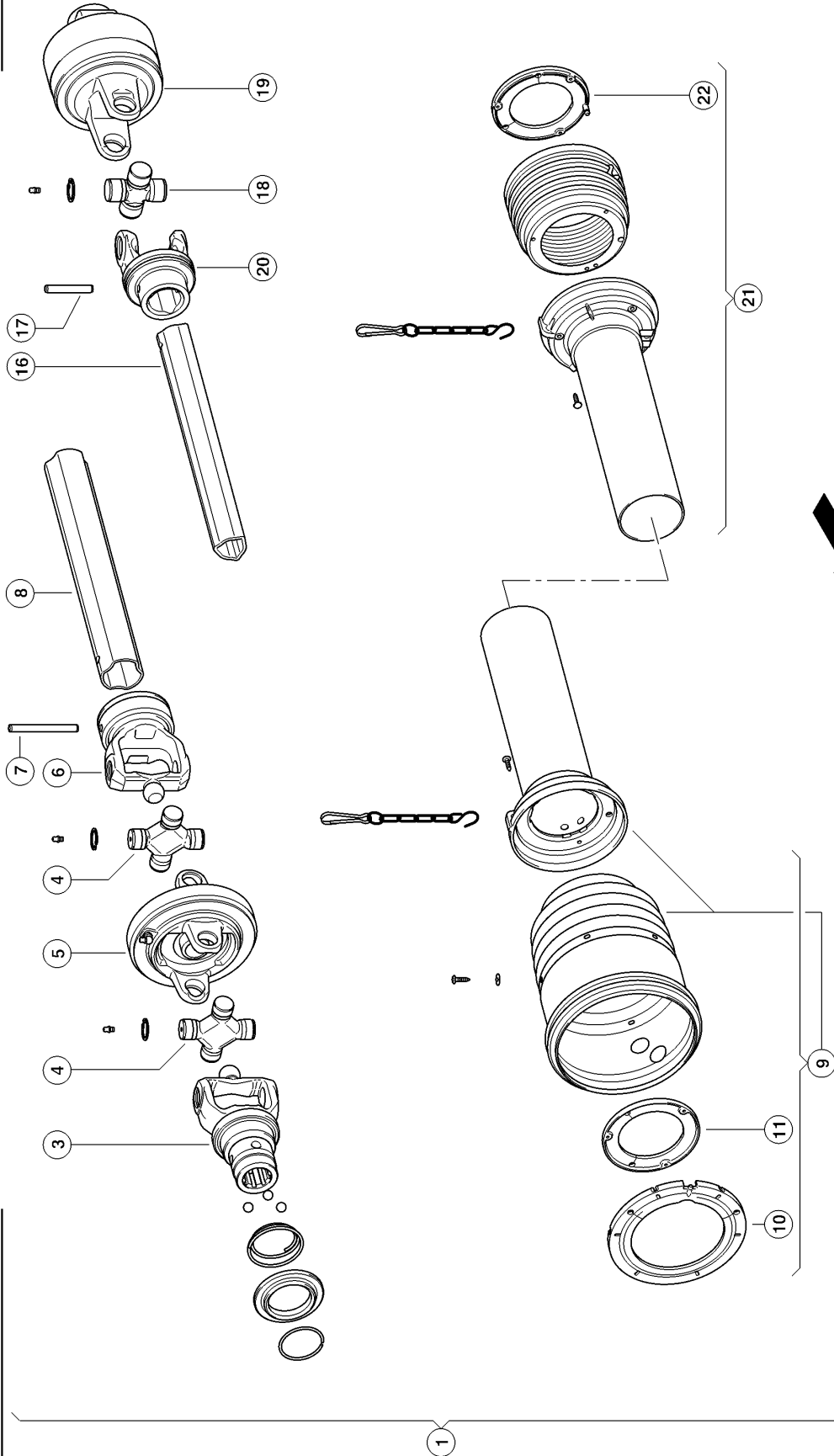
2) Remarks with Item 10. 11

3) Remarks see illustration plate 47

4) Remarks with Item 22

41

CLAAS



76361Z00
VARIANT 365

131654

UNIVERSAL DRIVE SHAFT WITH CUT - OUT CLU 1)

Pos.	Part No.	Description	Dimension	Quantity	Conditions
1	00 0843 703 0	DRIVE SHAFT		1	2)
1	00 0843 704 0	DRIVE SHAFT ASSY.		1	3)
3	00 0843 764 0	FORK		1	2)
3	00 0843 792 0	FORK		1	3)
4	00 0843 765 0	CENTRE CROSS ASS.		2	
5	00 0843 767 0	FORK		1	
6	00 0843 766 0	INNER FORK		1	
7	00 0234 862 0	SPRING PIN	10 X100	1	
8	00 0843 768 0	TUBE		1	
9	00 0843 762 0	GUARD HALF		1	4)
10	00 0844 557 0	RING		1	
11	00 0844 558 0	RING		1	
16	00 0843 773 0	TUBE		1	
17	00 0244 579 0	SPRING PIN	10X65	1	
18	00 0843 771 0	CENTRE CROSS ASS.		1	
19	00 0843 789 0	CLUTCH		1	5)
20	00 0843 772 0	FORK		1	
21	00 0843 763 0	GUARD HALF		1	6)
22	00 0836 346 0	RING		1	

1) Remarks

m 04/170 1350 Nm / 6-Tlg.
m 04/180 1350 Nm / 21-Tlg.
Bondioli

2) Remarks

6 piece

3) Remarks

21 piece

4) Remarks

with Item 10. 11

5) Remarks

see illustration plate 48

6) Remarks

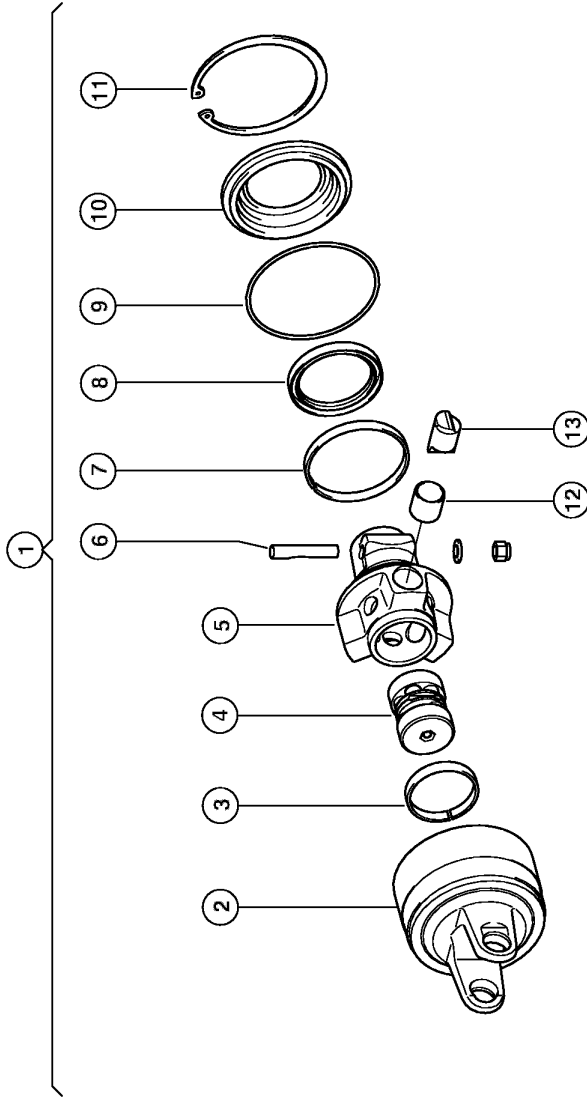
with Item 22

47

CLAAS

VARIANT 365 RC

76623z00
VARIANT 365



132019

CAM - TYPE CUT - OUT CLUTCH 1)

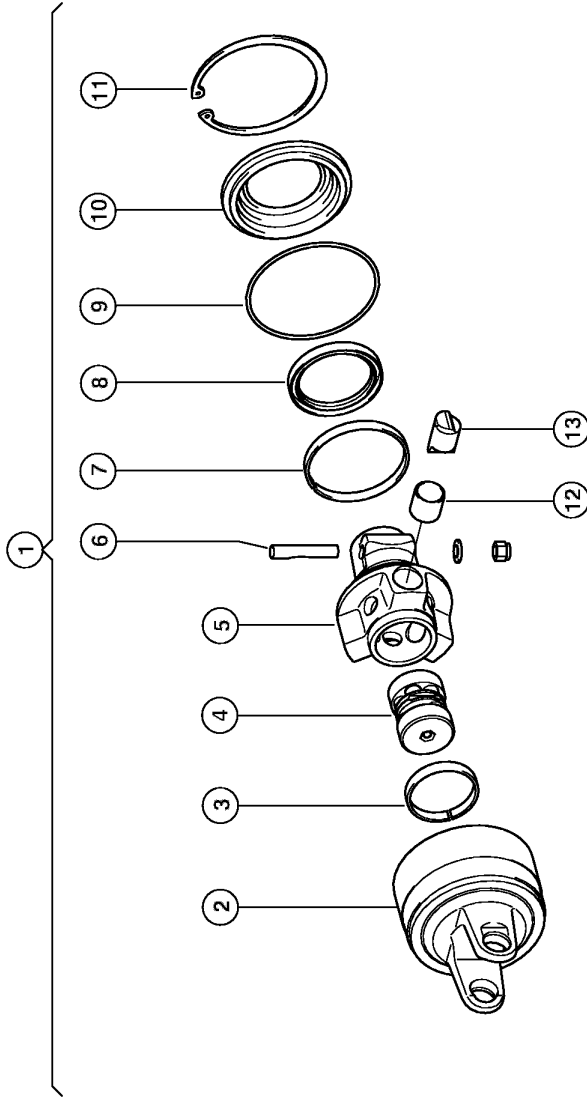
Pos.	Part No.	Description	Dimension	Quantity	Conditions
1	00 0843 778 0	CLUTCH		1	
2	00 0843 779 0	CLUTCH HOUSING		1	
3	00 0836 414 0	RING		1	
4	00 0843 780 0	SPRING KIT		1	
5	00 0843 781 0	HUB		1	
6	00 0843 782 0	CLAMPING SCREW		1	
7	00 0843 783 0	RING		1	
8	00 0843 784 0	SEALING RING		1	
9	00 0843 785 0	O-RING		1	
10	00 0843 786 0	COVER		1	
11	00 0214 628 0	CIRCLIP	138X4	1	
12	00 0836 417 0	BUSHING		3	
13	00 0836 416 0	BLOCK, BODY		3	
1)	Remarks		540 U/Min - 2100 Nm Bondioli		

48

CLAAS

VARIANT 365 RC

76624z00
VARIANT 365



132020

Thank you so much for reading.
Please click the “Buy Now!”
button below to download the
complete manual.



After you pay.

You can download the most
perfect and complete manual in
the world immediately.

Our support email:

ebooklibonline@outlook.com