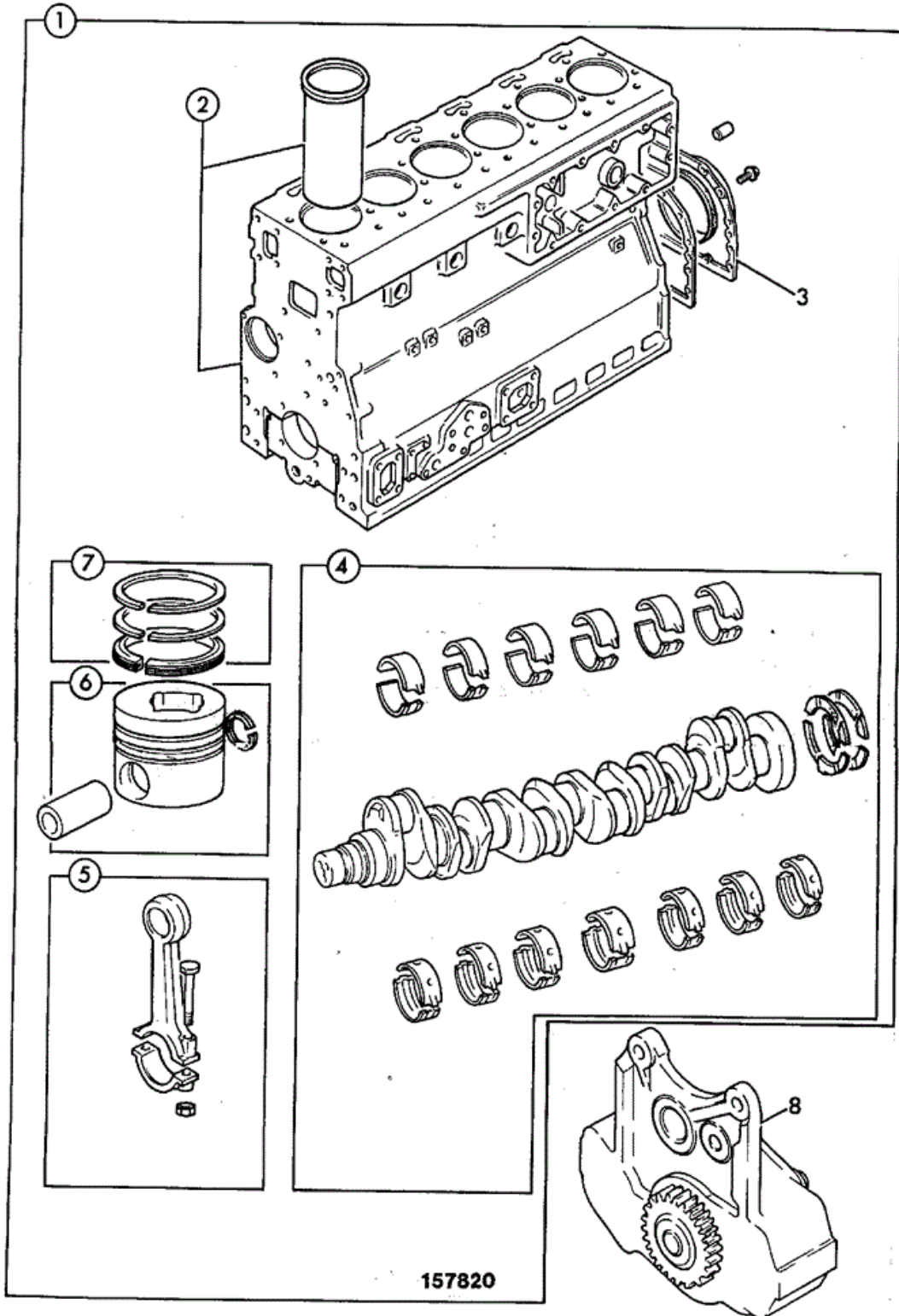




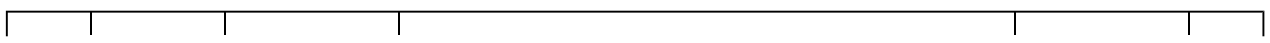
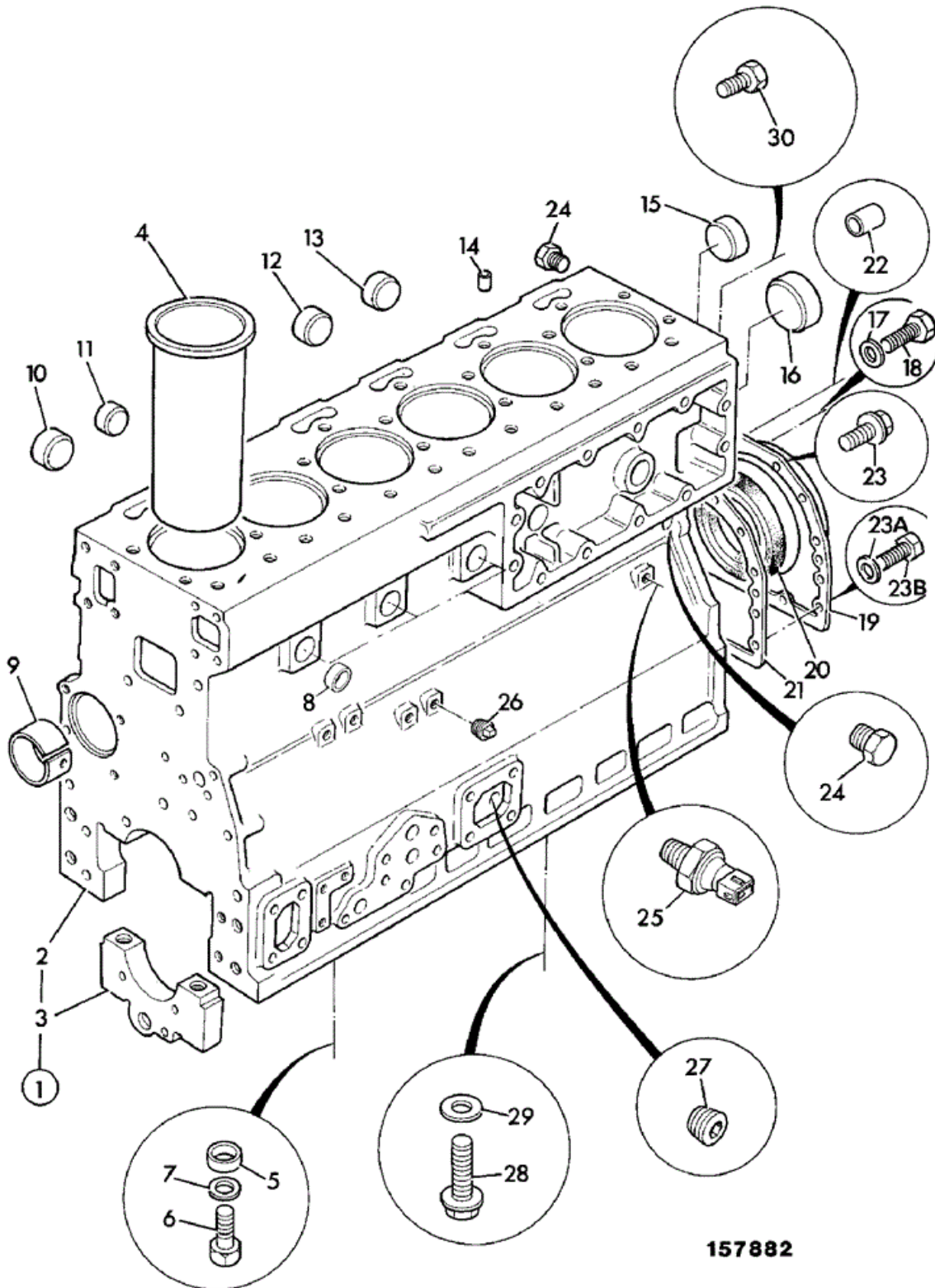
9802/6600 T1-2-1 ENGINE, SHORT YA BUILD



Item	Part #	Change No	Description	Usage Code	QTY
1	02/200660		Engine short, 1006.6		1
2	****		'See Remark' <i>See frame T1-3-1, Block assembly</i>		1
3	****		'See Remark' <i>See frame T1-3-1, Housing, rear seal assembly</i>		1
4	****		'See Remark' <i>See frame T1-4-1, Crankshaft assembly</i>		6
5	****		'See Remark' <i>See frame T1-4-1, Con-rod assembly</i>		6
6	****		'See Remark' <i>See frame T1-4-1, Piston assembly</i>		6
7	****		'See Remark' <i>See frame T1-4-1, Piston ring kit</i>		1
8	****		'See Remark' <i>See frame T5-2-1, Oil pump</i>		1

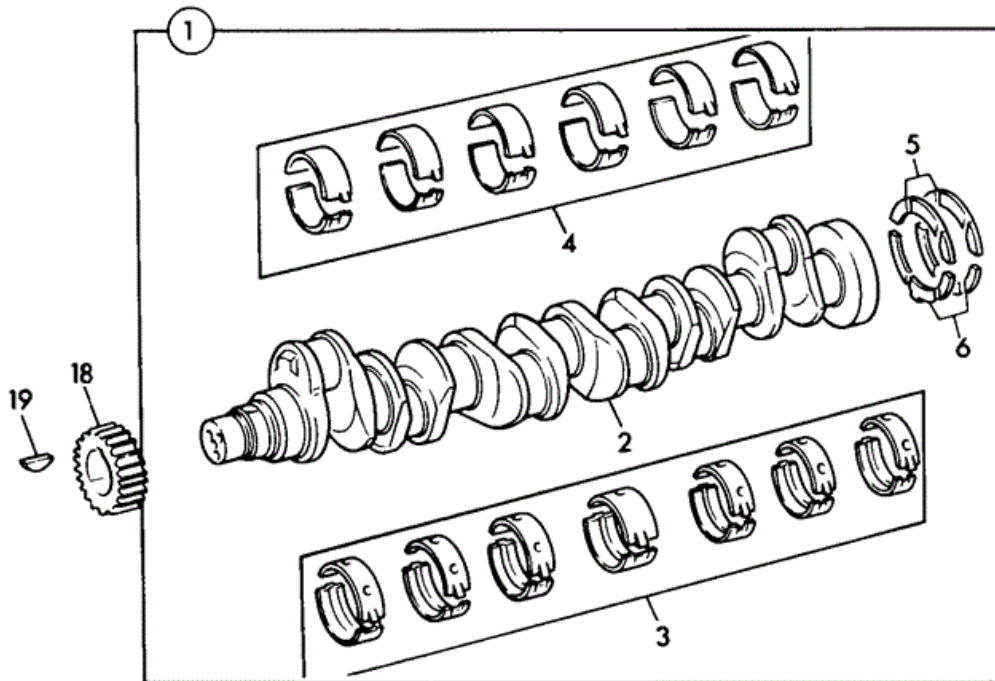
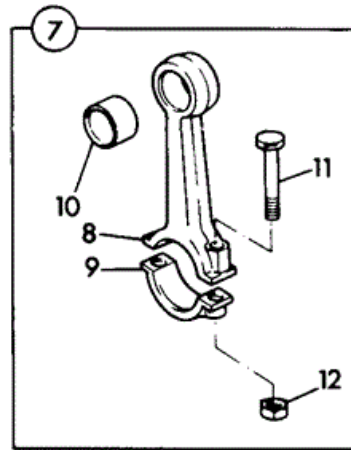
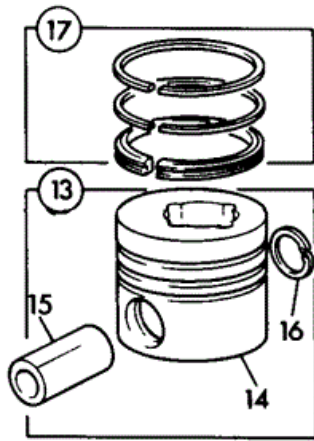


9802/6600 T1-3-1 BLOCK ASSEMBLY YA BUILD



Item	Part #	Change No	Description	Usage Code	QTY
1	02/200490		Block assembly		1
2	****		None serviced part <i>Block</i>		1
3	****		None serviced part <i>Cap</i>		7
4	:02/200949		Liner cylinder, press fit <i>See Note 1</i>		6
4	02/200002		Liner cylinder, slip fit		6
5	:02/100101		Thimble		14
6	:02/100102		Bolt		14
7	****		'See Remark' <i>Not fitted or required</i>		0
8	:02/200454		Plug core D=38mm		5
9	:02/192001		Bush camshaft		1
10	:02/200454		Plug core D=38mm		3
11	:02/200454		Plug core D=38mm		3
12	:02/200454		Plug core D=38mm		5
13	:02/101827		Plug		1
14	:02/100108		Plug		1
15	:02/200454		Plug core D=38mm		1
16	:02/100107		Plug core D=50mm		1
17	02/100111		Plug		1
18	02/200828		Washer		1
19	02/200958		Housing rear seal		1
20	:02/101436		Seal rear oil		1
21	02/200959		Gasket rear seal housing		1
22	02/100308		Dowel		2
23	826/00869		Screw flange head		12
23A	1391/3307Z		Capscrew M8x25mm		2
23B	02/100307		Washer		2
24	02/100132		Plug drain <i>Water drain</i>		2
24	02/100335		Tap drain <i>Alternative</i>		0
25	701/41500	Superseded	Switch oil pressure		1
25	701/80225		Switch oil pressure 1/8" NPTF,AMP		1
26	826/00765		Plug		1
27	02/100409		Plug taper threaded <i>Oil drain</i>		2
28	02/101756		Plug		6
29	823/00287		Washer spacer		6
30	02/101193		Plug core D=17mm		1

Note 1: Special tools for fitting, boring and honing required, General Service use slip fit type.



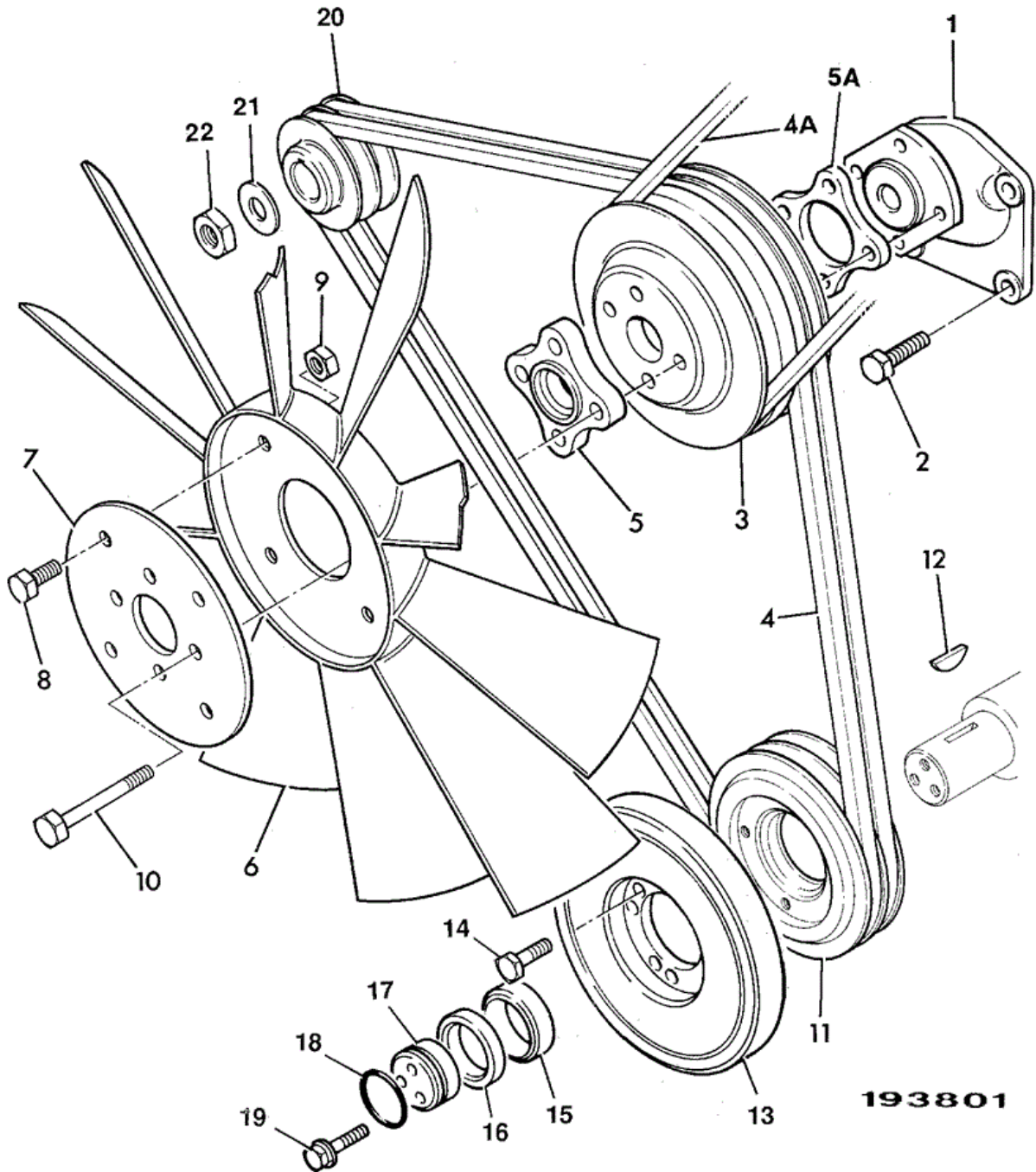
096870

Item	Part #	Change No	Description	Usage Code	QTY
1	02/200679		Crankshaft assembly		1
2	****		None serviced part <i>Crankshaft</i>		1
3	:02/290010		Kit-bearing main standard		1
3	02/290011		Kit-bearing main undersize - 0.25mm		0
3	02/290012		Kit-bearing main undersize - 0.50mm		0

3	02/290013		Kit-bearing main undersize - 0.75mm	0
4	:02/192034		Kit-bearing big end standard	1
4	02/192035		Kit-bearing big end undersize - 0.25mm	0
4	02/192036		Kit-bearing big end undersize - 0.50mm	0
4	02/192037		Kit-bearing big end undersize - 0.75mm	0
5	:02/192083		Washer thrust top - standard	2
5	02/192011		Washer thrust top-oversize 0.19mm	0
6	:02/192084		Washer thrust bottom - standard	2
6	02/192013		Washer thrust btm-oversize 0.19mm	0
7	02/101440		Rod assembly Connecting	6
8	****		None serviced part <i>Rod</i>	1
9	****		None serviced part <i>Cap</i>	1
10	:02/192015		Bush small end	1
11	:02/291072		Bolt	2
12	:02/100128		Nut	2
13	02/200849		Piston assembly	6
14	****		None serviced part <i>Piston</i>	1
15	****		None serviced part <i>Gudgeon pin</i>	1
16	:2203/1040		Circlip	2
17	02/200192		Kit-piston ring	6
18	02/290001		Gear	1
19	02/100038		Key	1



9802/6600 T1-5-1 FANS, PULLEYS & FAN BELT YA BUILD

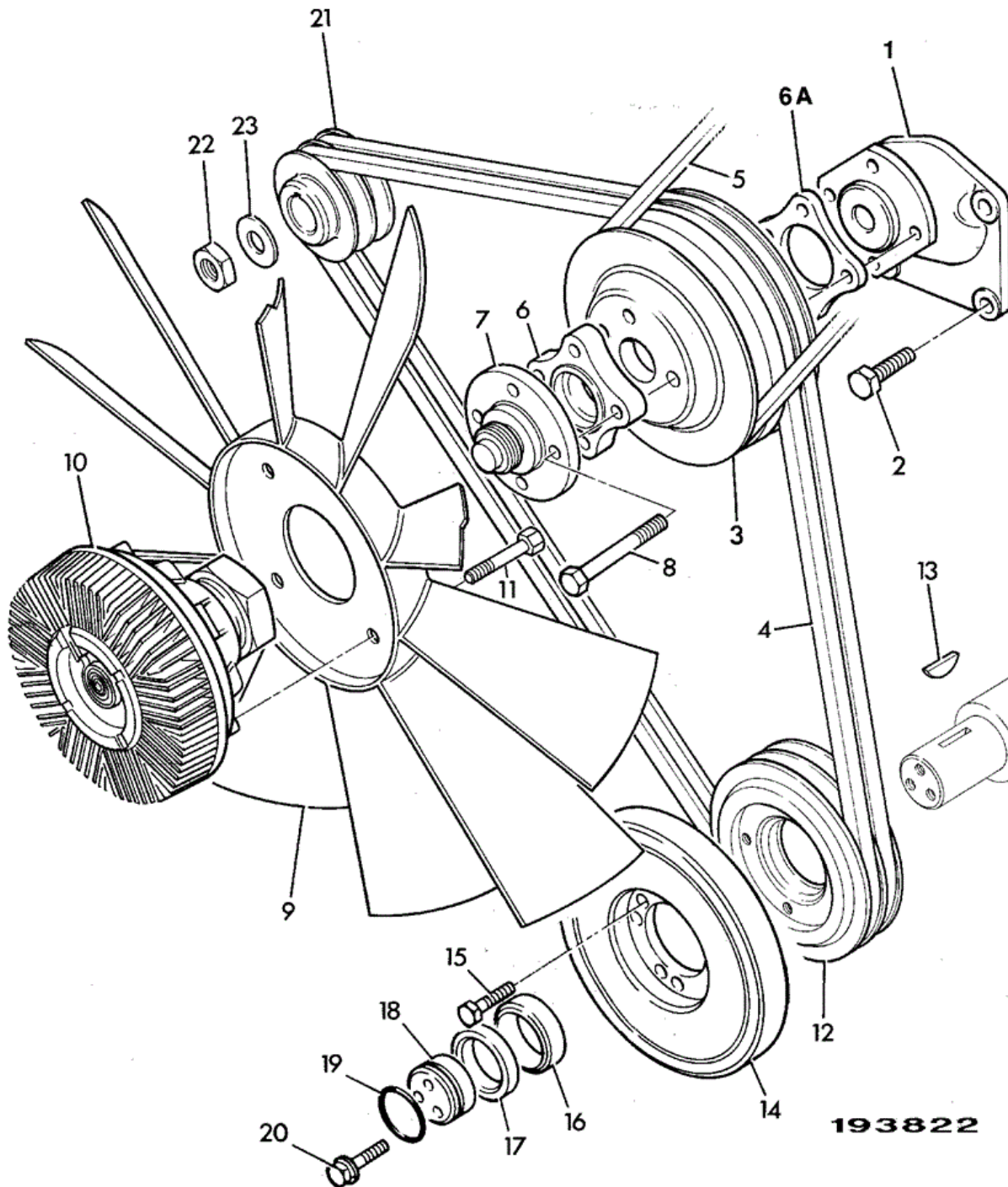


193801

Item	Part #	Change No	Description	Usage Code	QTY
1	02/200370	<EU617473A	Housing assembly, fan drive		1
1A	02/201357	>EU617474A	Housing fan drive, assembly		1
2	02/291041		Bolt		4

3	02/200526		Pulley fan drive	1
4	02/200738		Belt fan, pair	1
4A	476/16601		Belt drive air conditioning	1
5	02/100097		Spacer fan 50.8mm	1
5A	02/201327	>EU617474A	Spacer fan, 16mm	1
6	477/00142		Fan cooling	1
7	476/61401		Plate fan adapter	1
8	1315/0305Z		Setscrew M8 x 20	4
9	1370/0203Z		Nut Nut M8	4
10	1315/3319Z	<EU617473A	Bolt M8 x 90 mm	4
10A	1315/3320Z	>EU617474A	Bolt (M8 x 100)	4
11	02/200881		Pulley crankshaft	1
12	02/100380		Key	1
13	02/200882		Damper crankshaft vibration	1
14	02/291158		Screw	8
15	02/200228		Spacer	1
16	02/100408		Ring assembly Locking	1
17	02/100587		Block Thrust	1
18	828/00124		O Ring	1
19	02/100579		Screw	3
20	02/200894		Pulley alternator twin groove	1
21	714/22505		Nut	1
22	714/22506		Washer bellville	1

JCB 9802/6600 T1-5-3 FANS, PULLEYS & FAN BELT OPTIONAL,
 YA BUILD

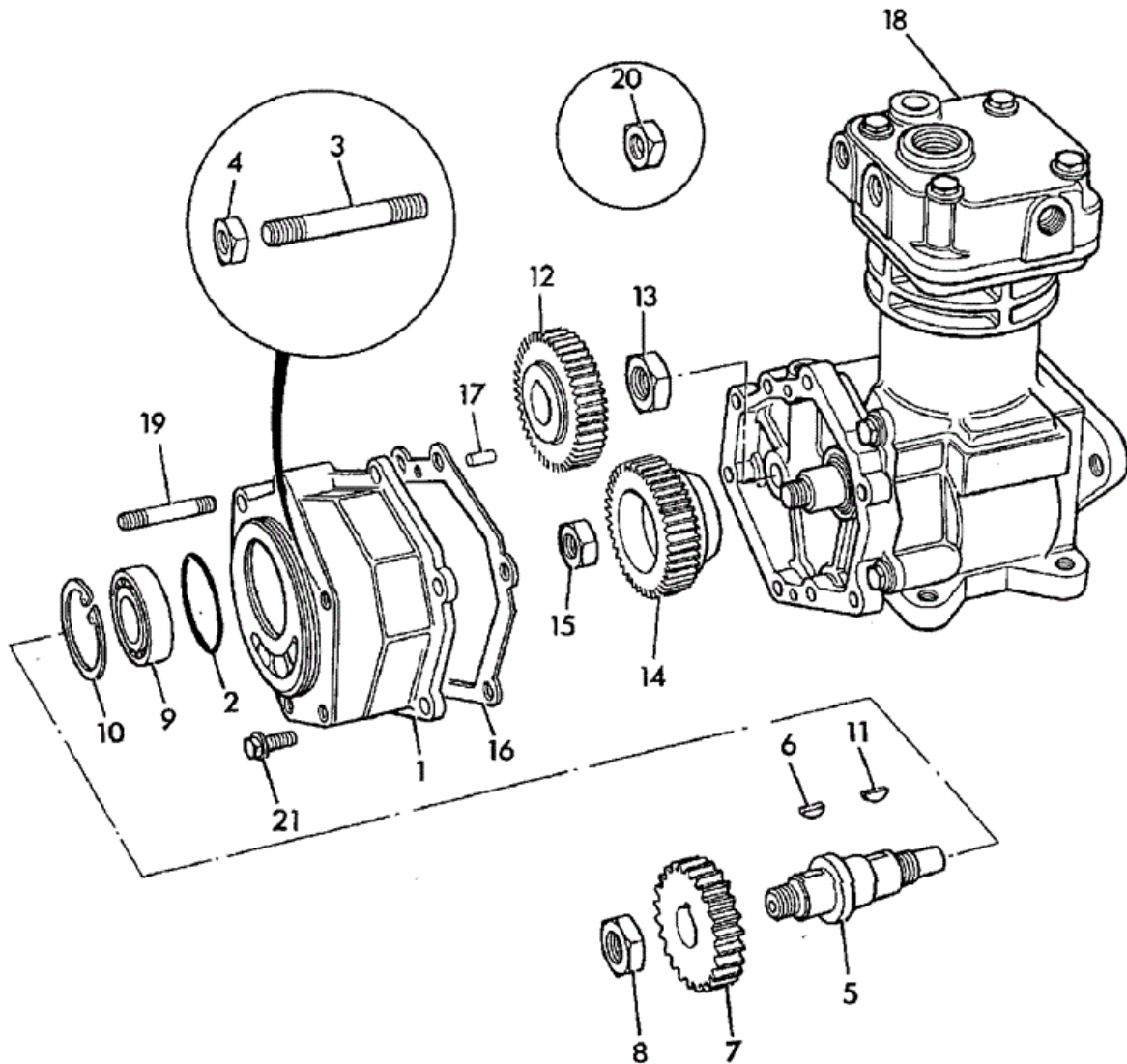


Item	Part #	Change No	Description	Usage Code	QTY
1	02/200370	<EU617473A	Housing assembly, fan drive		1

1A	02/201357	>EU617474A	Housing fan drive, assembly	1
2	02/291041		Bolt	4
3	02/200526		Pulley fan drive	1
4	02/200738		Belt fan, pair	1
5	477/00188		Belt drive air conditioning	1
6	02/100957		Spacer fan 25.4mm	1
6A	02/201327	>EU617474A	Spacer fan, 16mm	1
7	476/61901		Adapter fan drive	1
8	1315/3315Z	<EU617473A	Bolt Star Drive M8 x 65mm	4
8A	1315/3318Z	>EU617474A	Bolt M8 x 80 mm Long	4
9	477/00142		Fan cooling	1
10	477/00215	Superseded	Coupling viscous	1
10	477/00904		Coupling viscous <i>Use with item 11A</i>	1
11	1370/0203Z		Nut Nut M8 <i>Used only with 477/00215</i>	4
11A	1315/0316Z		Screw	1
12	02/200881		Pulley crankshaft	1
13	02/100380		Key	1
14	02/200882		Damper crankshaft vibration	1
15	02/291158		Screw	8
16	02/200228		Spacer	1
17	02/100408		Ring assembly Locking	1
18	02/100587		Block Thrust	1
19	828/00124		O Ring	1
20	02/100579		Screw	3
21	02/200894		Pulley alternator twin groove	1
22	714/22505		Nut	1
23	714/22506		Washer bellville	1



9802/6600 T1-6-2 TIMING CASE AUXILIARY DRIVE



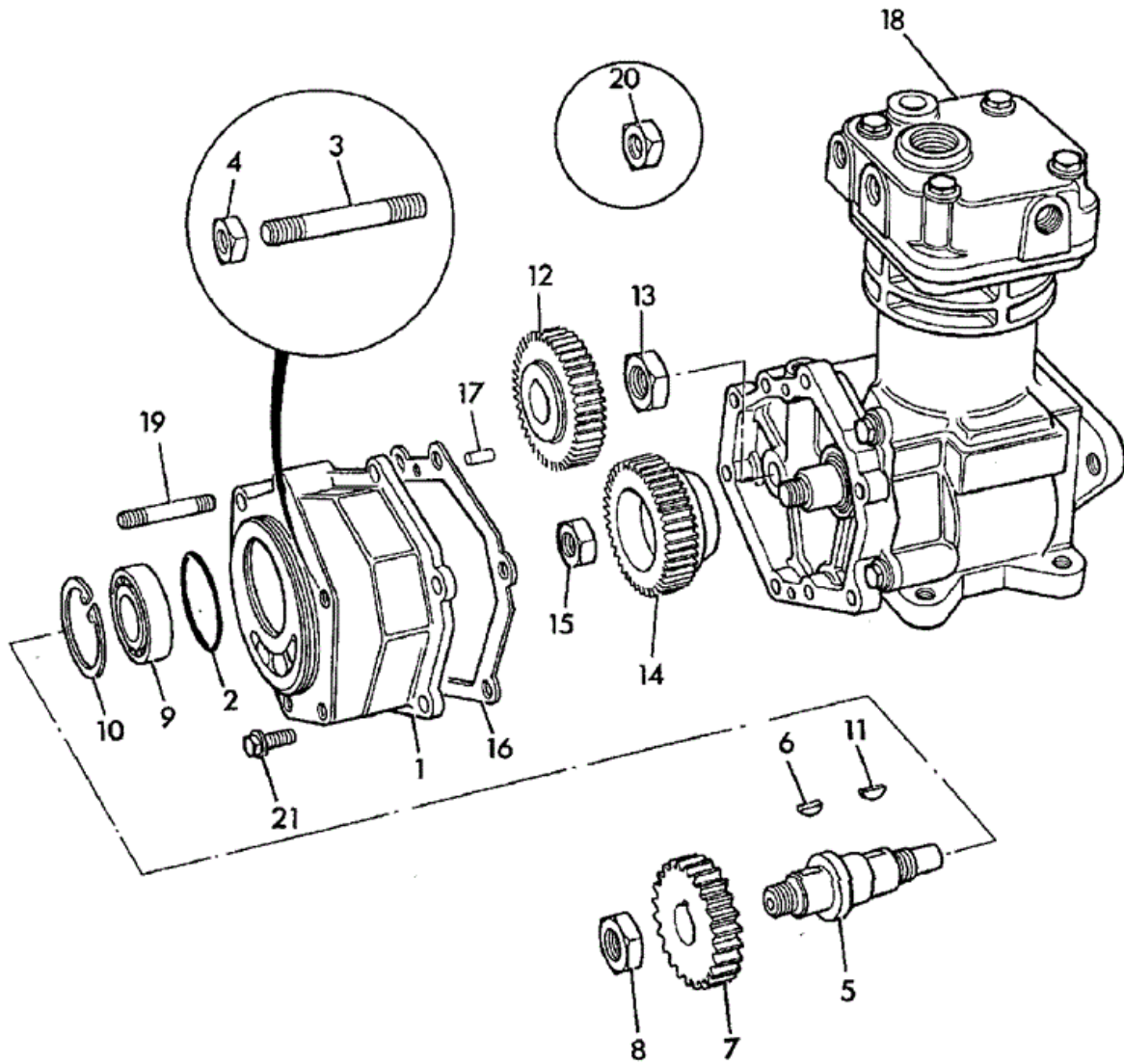
157980

Item	Part #	Change No	Description	Usage Code	QTY
------	--------	-----------	-------------	------------	-----

1	02/200527		Housing auxiliary drive gear	1
2	02/200498		O Ring	1
3	02/291053		Stud	1
4	02/291058		Nut flanged M8	1
5	02/200528		Shaft drive	1
6	02/100096		Key	1
7	02/290024		Gear	1
8	02/291137		Nut	1
9	02/200529		Bearing ball	1
10	02/101552		Circlip	1
11	02/100096		Key	1
12	02/290025		Gear	1
13	02/291137		Nut	1
14	02/290026		Gear	1
15	02/291137		Nut	1
16	02/200532		Gasket	1
17	02/100308		Dowel	2
18	****		'See Remark' <i>Compressor, see T7 index</i>	1
19	02/291053		Stud	5
20	02/291058		Nut flanged M8	5
21	02/291017	<EU.TBA	Screw	3
21	02/291017		Screw	4



9802/6600 T1-6-3 TIMING CASE AUXILIARY DRIVE



157980

Item	Part #	Change No	Description	Usage Code	QTY
------	--------	-----------	-------------	------------	-----

1	02/200990		Housing auxiliary drive gear	1
2	02/200992		O Ring	1
3	02/291053		Stud	1
4	02/291058		Nut flanged M8	1
5	02/200528		Shaft drive	1
6	02/100096		Key	1
7	02/290024		Gear	1
8	02/291137		Nut	1
9	02/200529		Bearing ball	1
10	02/101552		Circlip	1
11	02/100096		Key	1
12	02/290025		Gear	1
13	02/291137		Nut	1
14	02/290026		Gear	1
15	02/291137		Nut	1
16	02/200991		Gasket	1
17	02/100308		Dowel	2
18	****		'See Remark' <i>Compressor, see T7 index</i>	1
19	02/291053		Stud	5
20	02/291058		Nut flanged M8	5
21	02/291017		Screw	4

Thank you so much for reading.
Please click the “Buy Now!”
button below to download the
complete manual.



After you pay.

You can download the most
perfect and complete manual in
the world immediately.

Our support email:

ebooklibonline@outlook.com