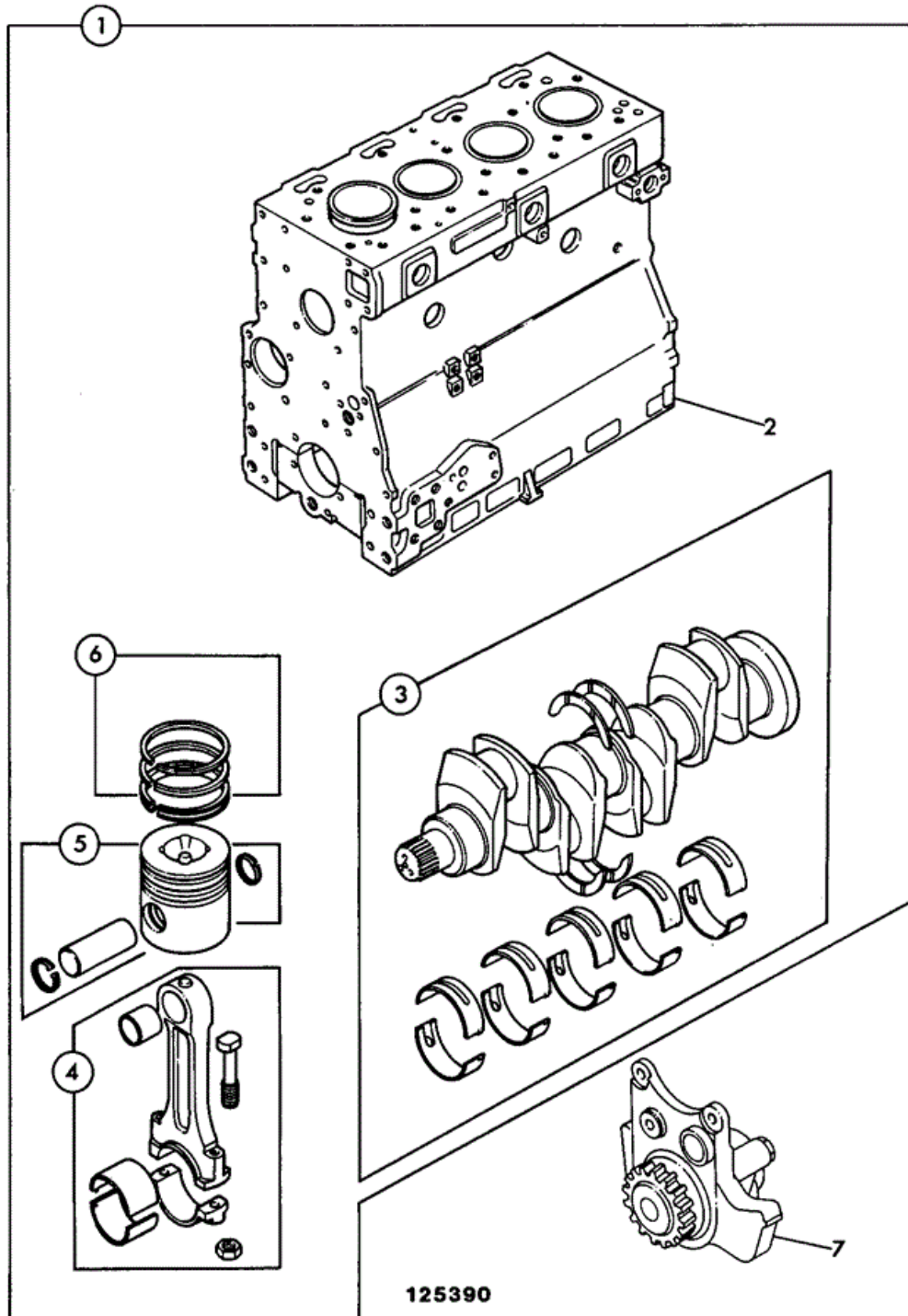




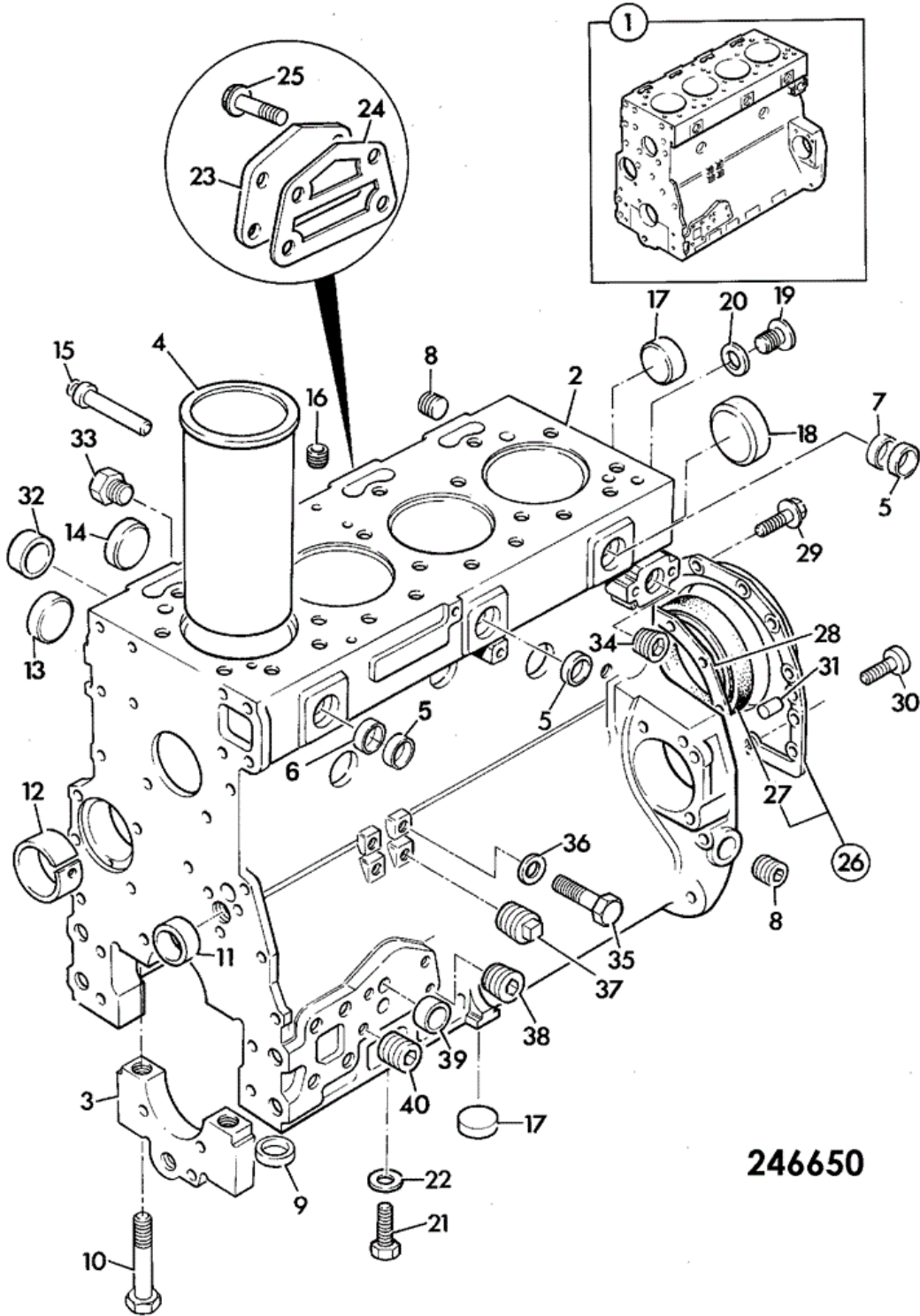
9802/7850 N1-2-1 ENGINE, SHORT AA BUILD



Item	Part #	Change No	Description	Usage Code	QTY
1	02/200440		Engine short, nat/asp		1
2	****		'See Remark' <i>See frame N1-3-1 - Block assembly</i>		1
3	****		'See Remark' <i>See frame N1-4-1 - Crankshaft assembly</i>		1
4	****		'See Remark' <i>See frame N1-4-1 - Con-rod assembly</i>		4
5	****		'See Remark' <i>See frame N1-4-1 - Piston assembly</i>		4
6	****		'See Remark' <i>See frame N1-4-1 - Piston ring kit</i>		4
7	****		'See Remark' <i>See frame N5-2-1 - Oil pump</i>		1



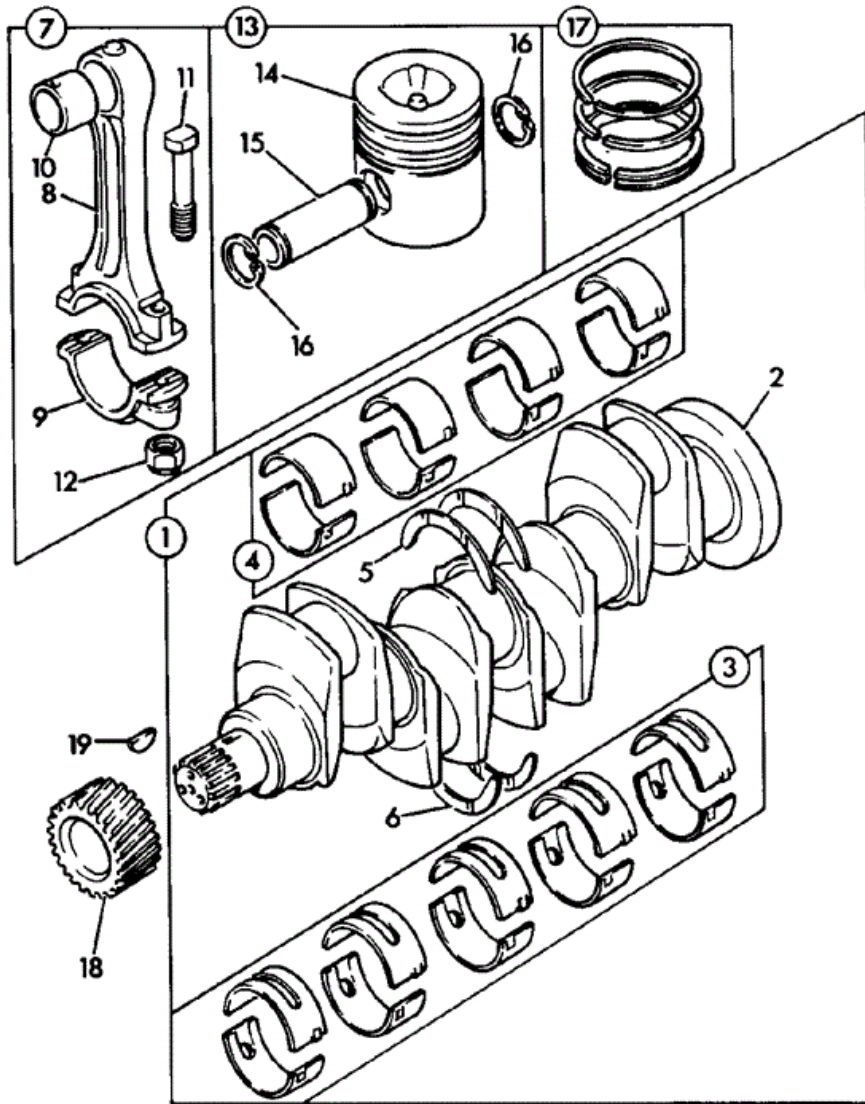
9802/7850 N1-3-1 BLOCK ASSEMBLY AA BUILD



246650

Item	Part #	Change No	Description	Usage Code	QTY
1	02/201360		Block cylinder, assembly		1
2	****		None serviced part <i>Block</i>		1

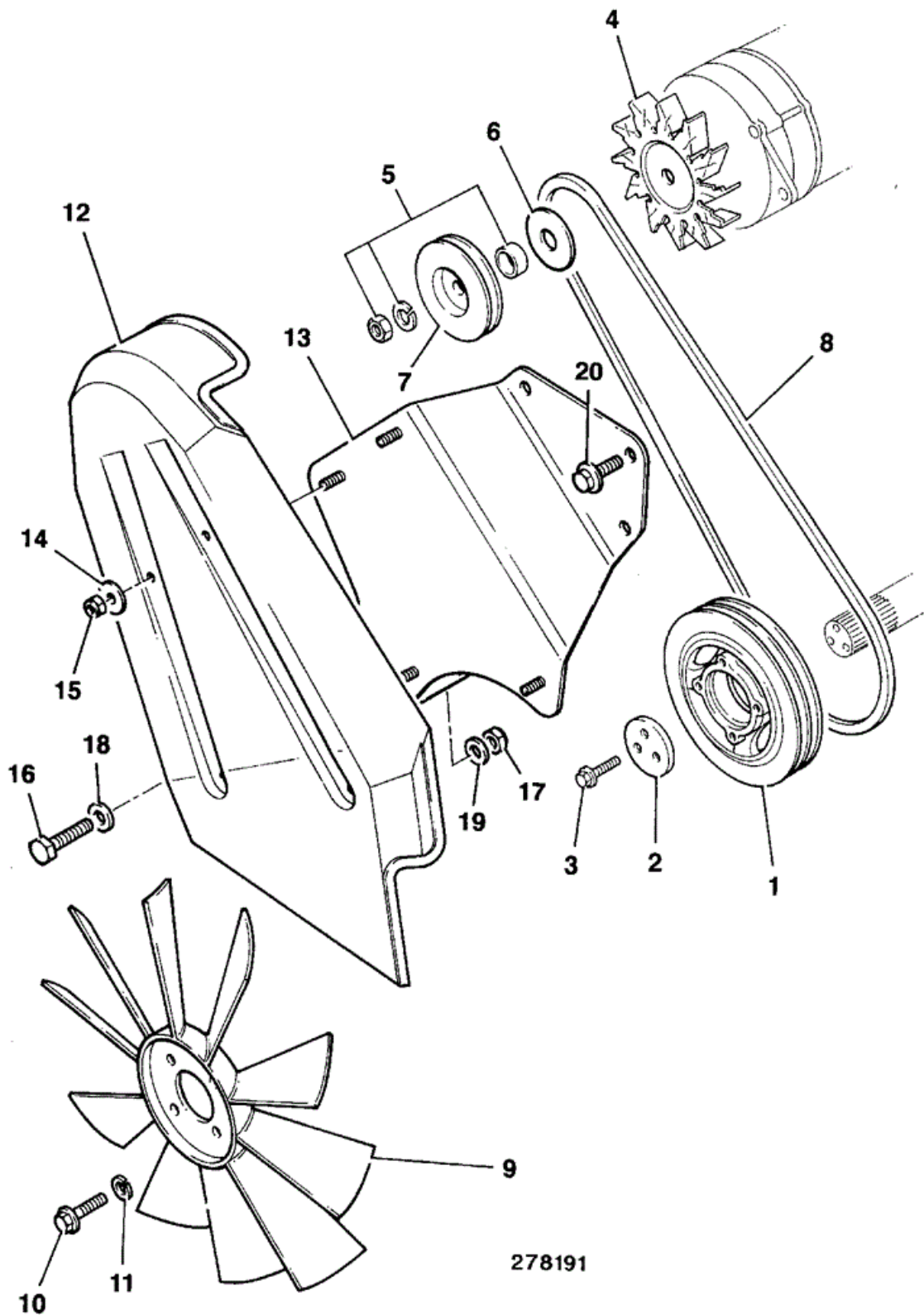
3	****		None serviced part <i>Bearing Cap</i>	5
4	:02/200949		Liner cylinder, press fit	4
4	02/200002		Liner cylinder, slip fit	0
5	:02/100396		Plug core D=32mm	6
6	:02/201304		Plug	1
7	:02/200003		Plug core" D=26mm	1
8	:02/100134		Plug	2
9	:02/100101		Thimble	10
10	:02/100102		Bolt	10
11	:02/200003		Plug core" D=26mm	2
12	:02/192001		Bush camshaft	1
13	:02/200454		Plug core D=38mm	4
14	:02/201361		Plug core D=38mm	3
15	:02/101827		Plug	1
16	:02/100108		Plug	1
17	:02/200454		Plug core D=38mm	2
18	:02/201362		Plug core D=50mm	1
19	:02/100111		Plug	1
20	:02/200828		Washer	1
21	:02/101756		Plug	4
22	:823/00287		Washer spacer	4
23	:02/200826		Plate	1
24	:02/200484		Gasket	1
25	:02/291042		Bolt	4
26	02/200958		Housing rear seal	1
27	:02/101436		Seal rear oil	1
28	02/201092		Gasket rear seal housing	1
29	826/00869		Screw flange head	12
30	02/291185		Capscrew	2
31	02/100308		Dowel	2
32	02/201361		Plug core D=38mm	1
33	02/100132		Plug drain <i>Water drain</i>	1
33	02/100335		Tap drain <i>Alternative</i>	1
34	02/100134		Plug	1
35	1315/0402Z		Setscrew	1
36	823/00273		Washer	1
37	826/00765		Plug	1
38	02/201364		Plug parallel threaded	2
39	02/100409		Plug taper threaded	1
40	02/201363		Plug core D=14mm	1



095660

Item	Part #	Change No	Description	Usage Code	QTY
1	02/201287		Crankshaft assembly		1
2	****		None serviced part <i>Crankshaft</i>		1
3	:02/192002		Kit-bearing Main Standard		1
3	02/192003		Kit-bearing Main Undersize - .010inch		1
3	02/192004		Kit-bearing Main Undersize - .020inch		1

3	02/192005		Kit-bearing Main Undersize - .030inch	1
4	:02/192006		Kit-bearing big end standard	1
4	02/192007		Kit-bearing Big end Undersize - .010inch	1
4	02/192008		Kit-bearing Big end Undersize - .020inch	1
4	02/192009		Kit-bearing Big end Undersize - .030inch	1
5	:02/192083		Washer thrust top - standard	2
5	02/192011		Washer thrust top-oversize 0.19mm	2
6	:02/192084		Washer thrust bottom - standard	2
6	02/192013		Washer thrust btm-oversize 0.19mm	2
7	02/101440		Rod assembly Connecting	4
8	****		None serviced part <i>Con-rod</i>	1
9	****		None serviced part <i>Cap</i>	1
10	:02/192015		Bush small end	1
11	:02/291072		Bolt	2
12	:02/100128		Nut	2
13	02/200849	<EU797494C	Piston assembly	4
13	02/202111		Piston assembly	4
14	****		None serviced part <i>Piston</i>	1
15	****		None serviced part <i>Gudgeon pin</i>	1
16	:2203/1040		Circlip	2
17	02/200192	<EU797494C	Kit-piston ring	4
17	02/201938		Kit-piston ring	4
18	02/290001		Gear	1
19	02/100038		Key	1



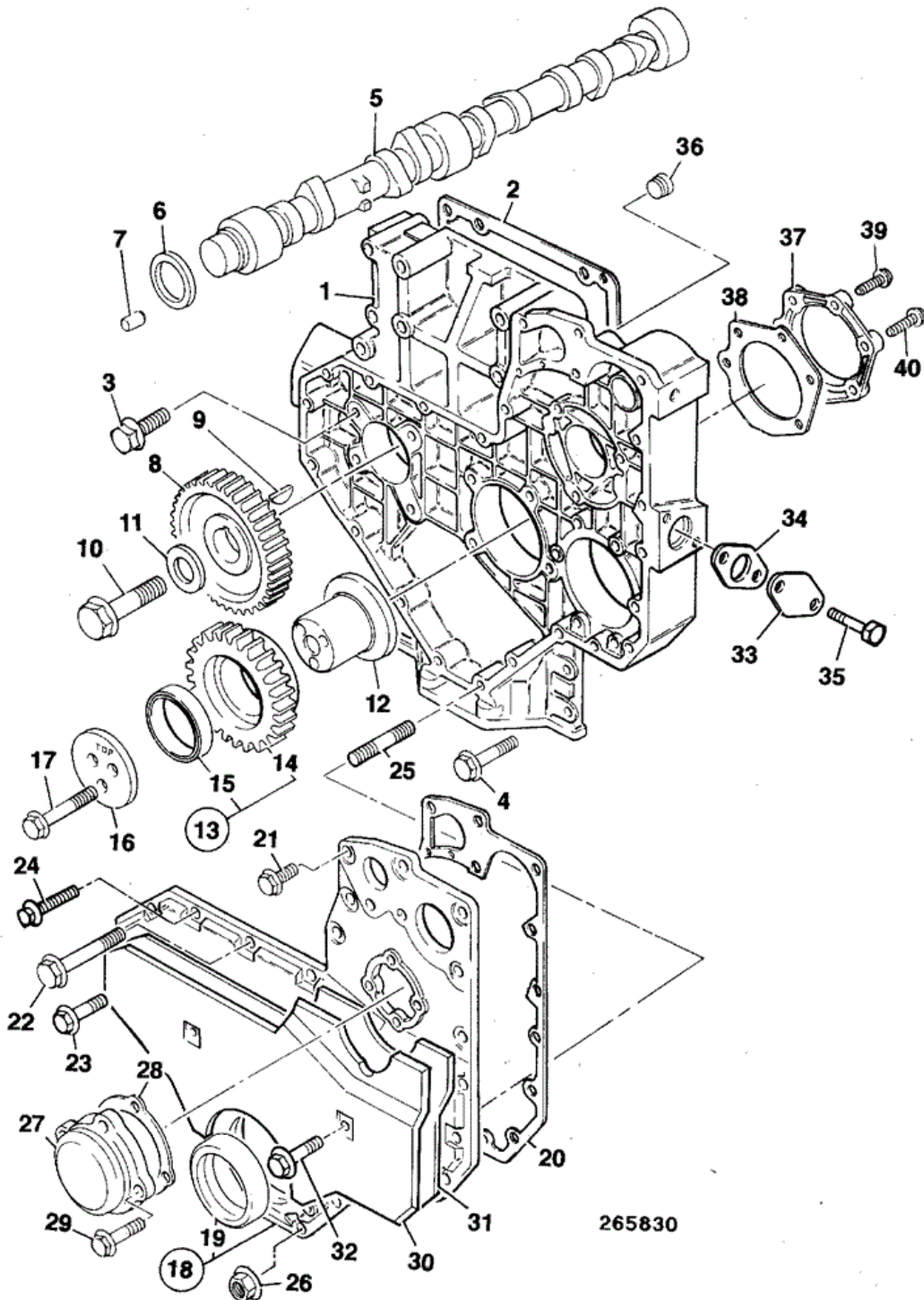
Item	Part #	Change No	Description	Usage Code	QTY
1	02/200018		Pulley crankshaft twin groove		1
2	02/200017		Block Thrust		1
3	02/100579		Screw		3
4	02/200452		Fan alternator		1
5	714/20405		Kit-sundry parts		1

6	714/16711	Washer fan support <i>Sealed Alternator option only</i>	1
7	02/200212	Pulley alternator D=86mm single groove	1
8	02/200426	Belt fan drive, pair	1
9	262/74600	Fan cooling, 22" puller 10 blade	1
10	1305/0105Z	Bolt	4
11	1416/0005Z	Washer spring - 5/16" Zinc plated	4
12	162/03237	Cover pulley	1
13	161/00856	Bracket mounting pulley cover	1
14	1411/0001Z	Washer (1/4" Medium)	4
15	1370/0103Z	Nut Self Lock M6	4
16	1315/3716Z	Bolt M16 x 70mm	1
17	1370/0603Z	Nut lock M16	1
18	1412/0007Z	Washer	1
19	1410/0007Z	Washer (5/8" Small)	1



9802/7850 N1-6-1 TIMING CASE CAMSHAFT & GEARS AA

BUILD



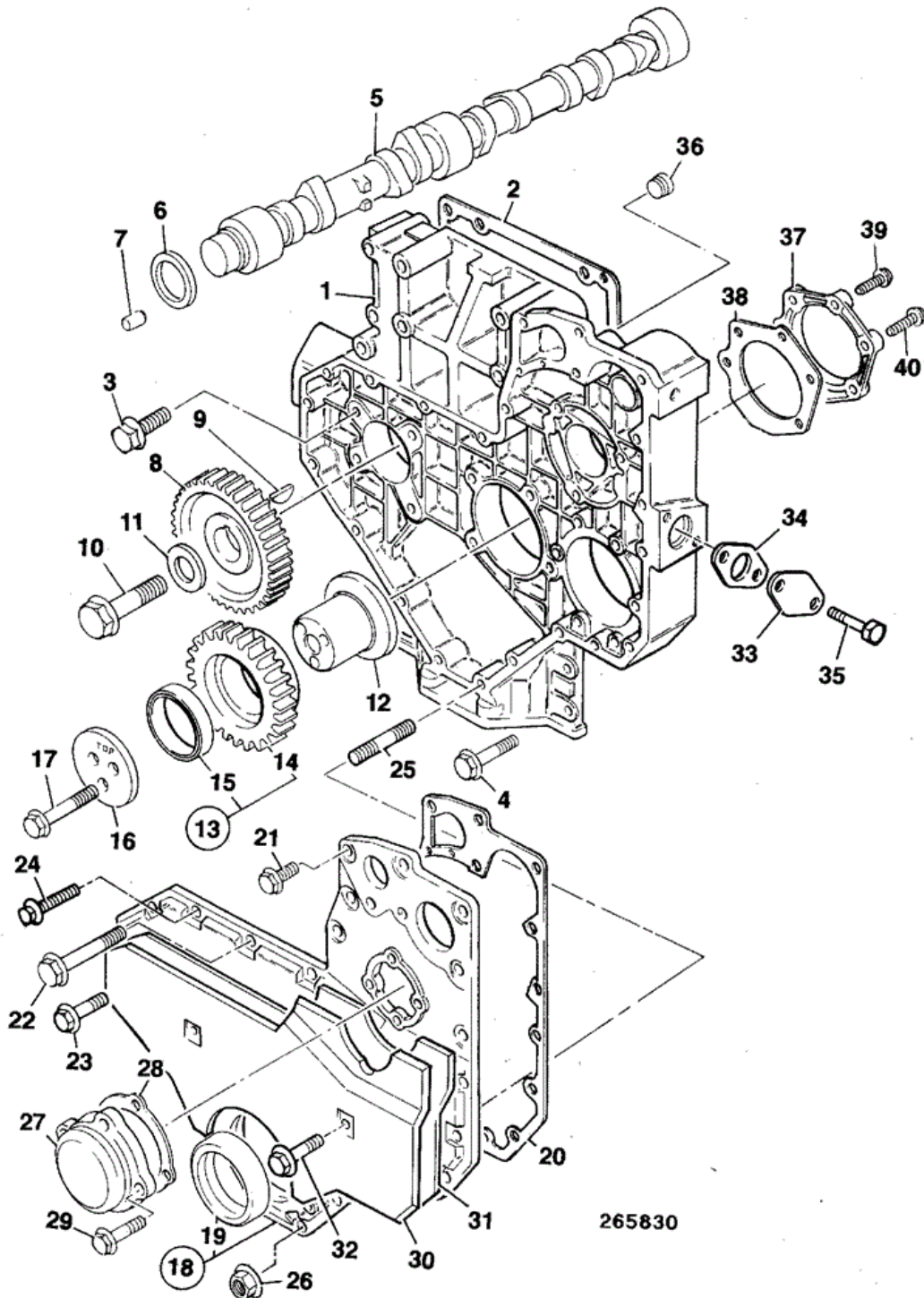
Item	Part #	Change No	Description	Usage Code	QTY
1	02/200830		Case timing		1

2	02/200872		Gasket t/case to block	1
3	826/00869		Screw flange head	8
4	02/291033		Bolt	4
5	02/201303		Camshaft	1
6	02/192046		Washer thrust	1
7	2102/0604		Dowel	1
8	02/290033		Gear camshaft	1
9	02/100038		Key	1
10	02/291047		Bolt	1
11	02/291065		Washer	1
12	02/100041		Hub	1
13	02/190003		Gear Idler	1
14	:N.S.P.		None serviced part <i>Gear</i>	1
15	:02/192016		Bush	2
16	02/201288		Plate	1
17	02/291073		Screw	3
18	02/200194		Cover timing	1
19	:02/101435		Seal front oil	1
20	02/200728		Gasket timing cover	1
21	02/291026		Bolt	6
22	02/291018		Bolt	6
23	02/291017		Screw	1
24	02/291052		Stud	4
25	02/291051		Stud	2
26	02/291058		Nut flanged M8	2
27	02/200028		Cover inspection	1
28	02/200029		Gasket inspection cover	4
29	02/291014		Bolt	1
30	02/200030		Guard	1
31	02/200031		Damper	1
32	02/291010		Bolt	1
33	02/200313		Plate blanking	1
34	02/201255		Gasket	1
35	826/00869		Screw flange head	2
36	02/100409		Plug taper threaded	1
37	02/200034		Plate	1
38	02/200035		Gasket	1
39	02/291033		Bolt	5
40	02/291037		Bolt	1



9802/7850 N1-6-2 TIMING CASE CAMSHAFT & GEARS AB

BUILD

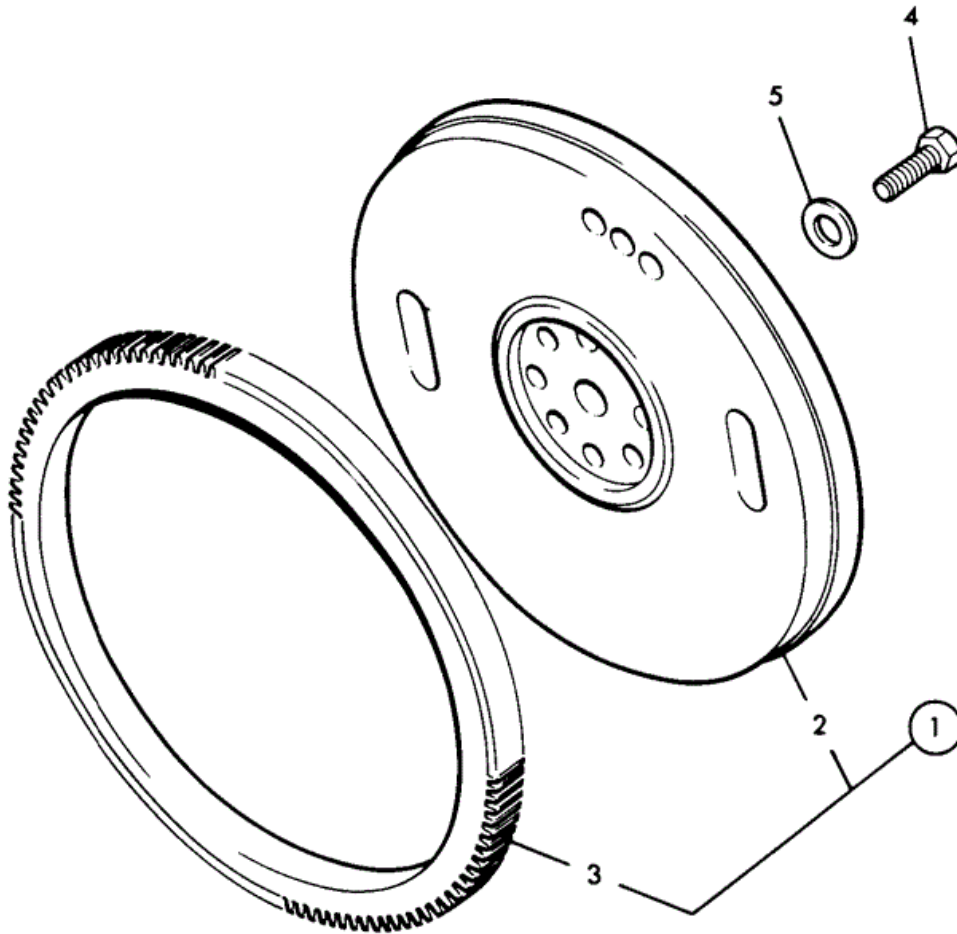


Item	Part #	Change No	Description	Usage Code	QTY
1	02/200830		Case timing		1

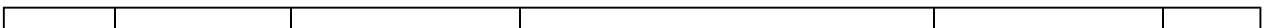
2	02/200872		Gasket t/case to block	1
3	826/00869		Screw flange head	8
4	02/291033		Bolt	4
5	02/201303		Camshaft	1
6	02/192064		Washer thrust	1
7	2102/0604		Dowel	1
8	02/190034		Gear camshaft	1
9	02/100038		Key	1
10	02/291196		Screw	1
11	02/291065		Washer	1
12	02/100041		Hub	1
13	02/190033		Gear idler assembly	1
14	:N.S.P.		None serviced part <i>Gear</i>	1
15	:02/192016		Bush	2
16	02/201288		Plate	1
17	02/291073		Screw	3
18	02/200194		Cover timing	1
19	:02/101435		Seal front oil	1
20	02/200728		Gasket timing cover	1
21	02/291026		Bolt	6
22	02/291018		Bolt	6
23	02/291017		Screw	1
24	02/291052		Stud	4
25	02/291051		Stud	2
26	02/291058		Nut flanged M8	2
27	02/200028		Cover inspection	1
28	02/200029		Gasket inspection cover	4
29	02/291014		Bolt	1
30	02/200030		Guard	1
31	02/200031		Damper	1
32	02/291010		Bolt	1
33	02/200313		Plate blanking	1
34	02/201255		Gasket	1
35	826/00869		Screw flange head	2
36	02/100409		Plug taper threaded	1
37	02/200034		Plate	1
38	02/200035		Gasket	1
39	02/291033		Bolt	5
40	02/291037		Bolt	1



9802/7850 N1-7-1 FLYWHEEL AA & AB BUILDS



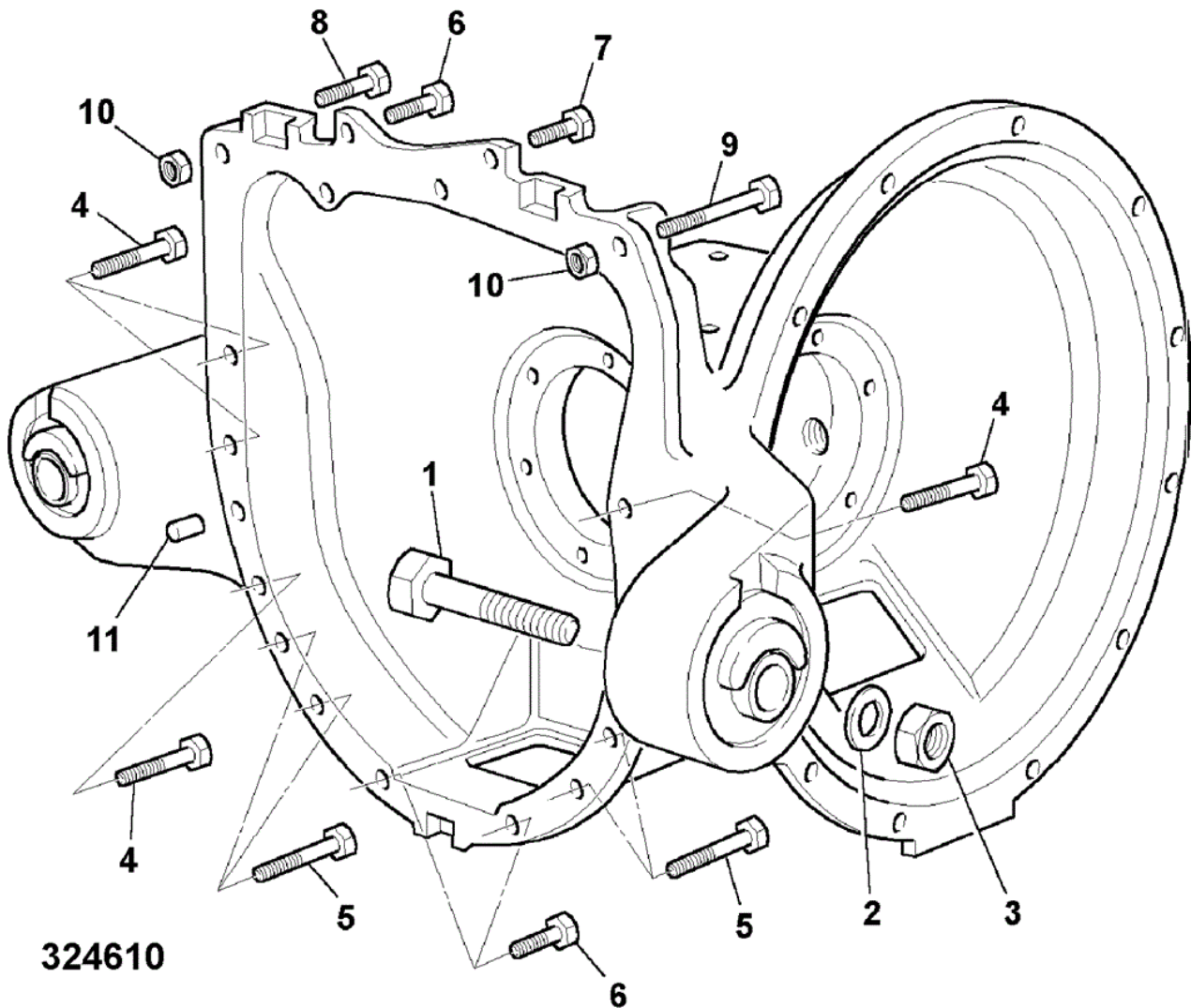
105250



Item	Part #	Change No	Description	Usage Code	QTY
1	02/201408		Flywheel assembly		1
2	:N.S.P.		None serviced part <i>Flywheel</i>		1
3	:02/100078		Gear starter ring		1
4	1305/0409		Bolt 1/2UNF		6
5	02/200725		Washer		6



9802/7850 N1-8-1 ENGINE MOUNTING BOLTS



324610

Item	Part #	Change No	Description	Usage Code	QTY
1	1315/4023Z		Bolt M24 X 130		3
2	1420/0014Z		Washer M24		3
3	1370/0901Z		Nut (M24)		3
4	1315/3514Z		Bolt M12 x 60mm		5
5	1315/3516Z		Bolt M12 x 70mm		4
6	1315/0511Z		Bolt M12 x 45mm		3
7	1315/0509Z		Setscrew M12 x 35mm		1
8	1315/3512Z		Bolt M12 x 50mm		1
9	1315/3520Z		Bolt M12 x 100mm		1
10	1370/0403Z		Nut Lock, M12		2
11	02/101370		Dowel		2

Thank you so much for reading.
Please click the “Buy Now!”
button below to download the
complete manual.



After you pay.

You can download the most
perfect and complete manual in
the world immediately.

Our support email:

ebooklibonline@outlook.com