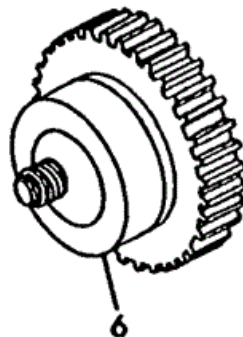
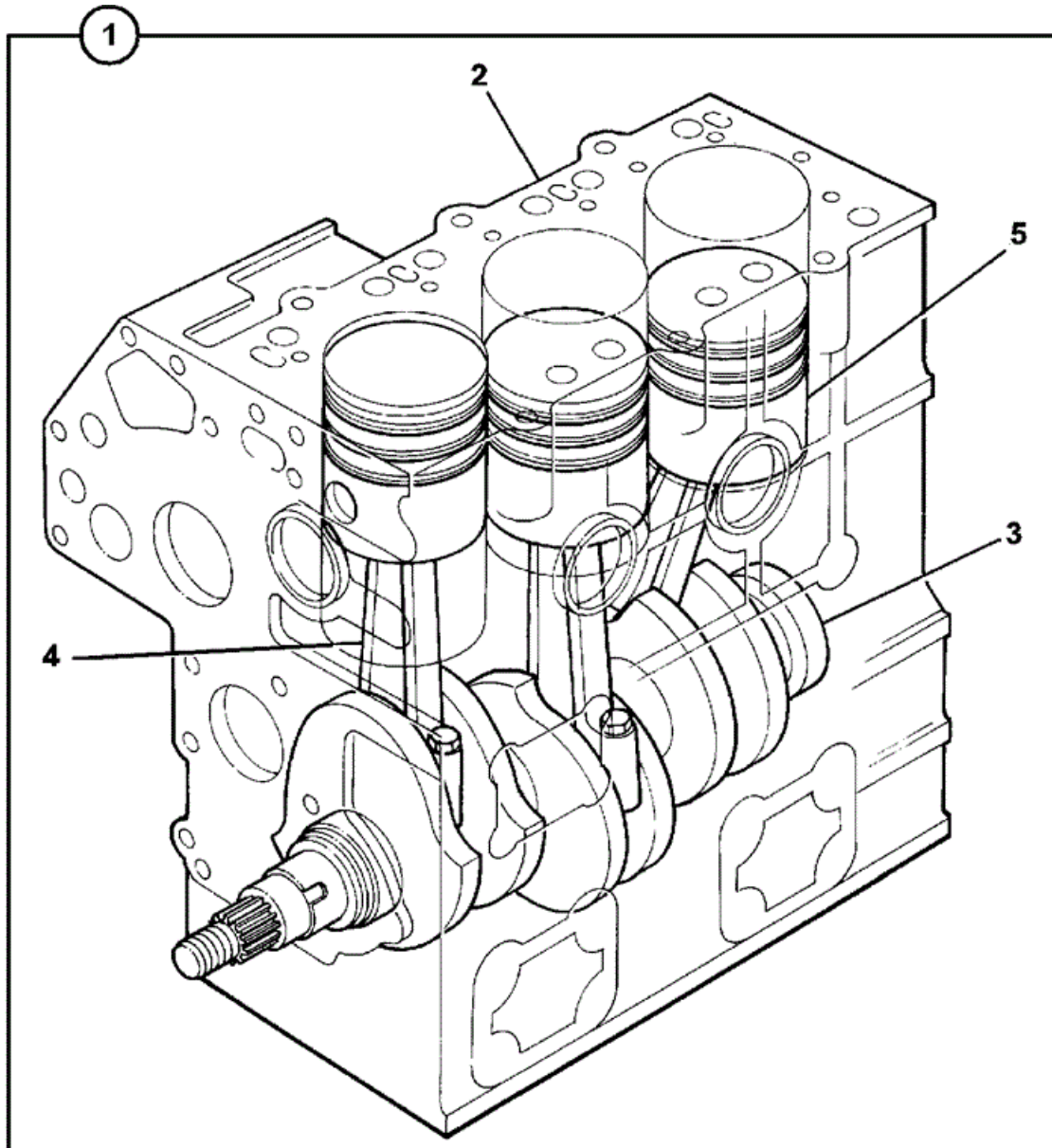




## 9802/5405 L1-2-1 ENGINE, SHORT KH BUILD

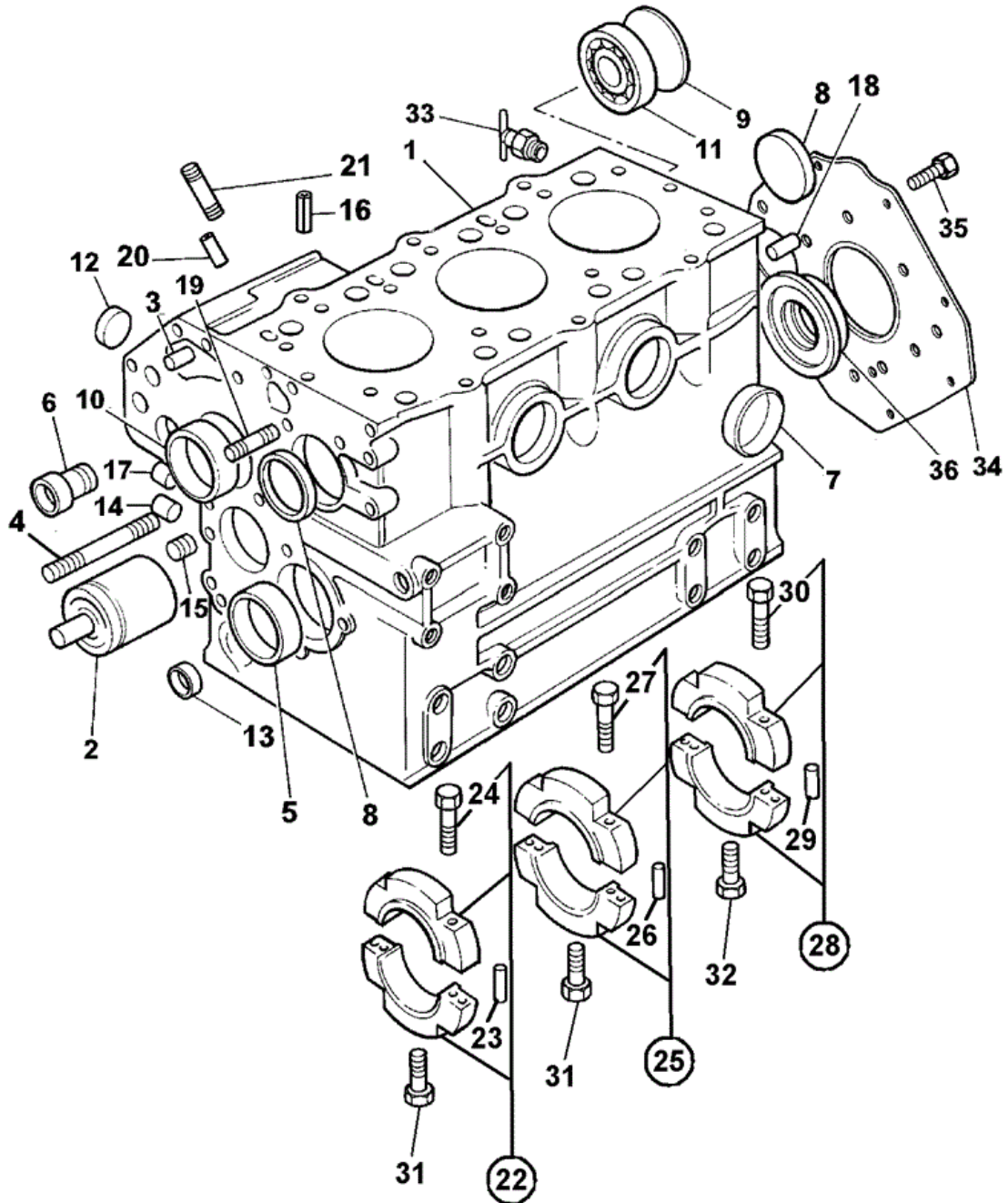


H05771

Item	Part #	Change No	Description	Usage Code	QTY
1	02/632000		Engine short		0
2	****		'See Remark' <i>Block assy, see L1-3-1</i>		1
3	****		'See Remark' <i>Crankshaft assy, see L1-4-1</i>		1
4	****		'See Remark' <i>Con-rod assy, see L1-4-1</i>		3
5	****		'See Remark' <i>Piston assy, see L1-4-1</i>		3
6	****		'See Remark' <i>Oil pump assy, see L5-2-1</i>		1



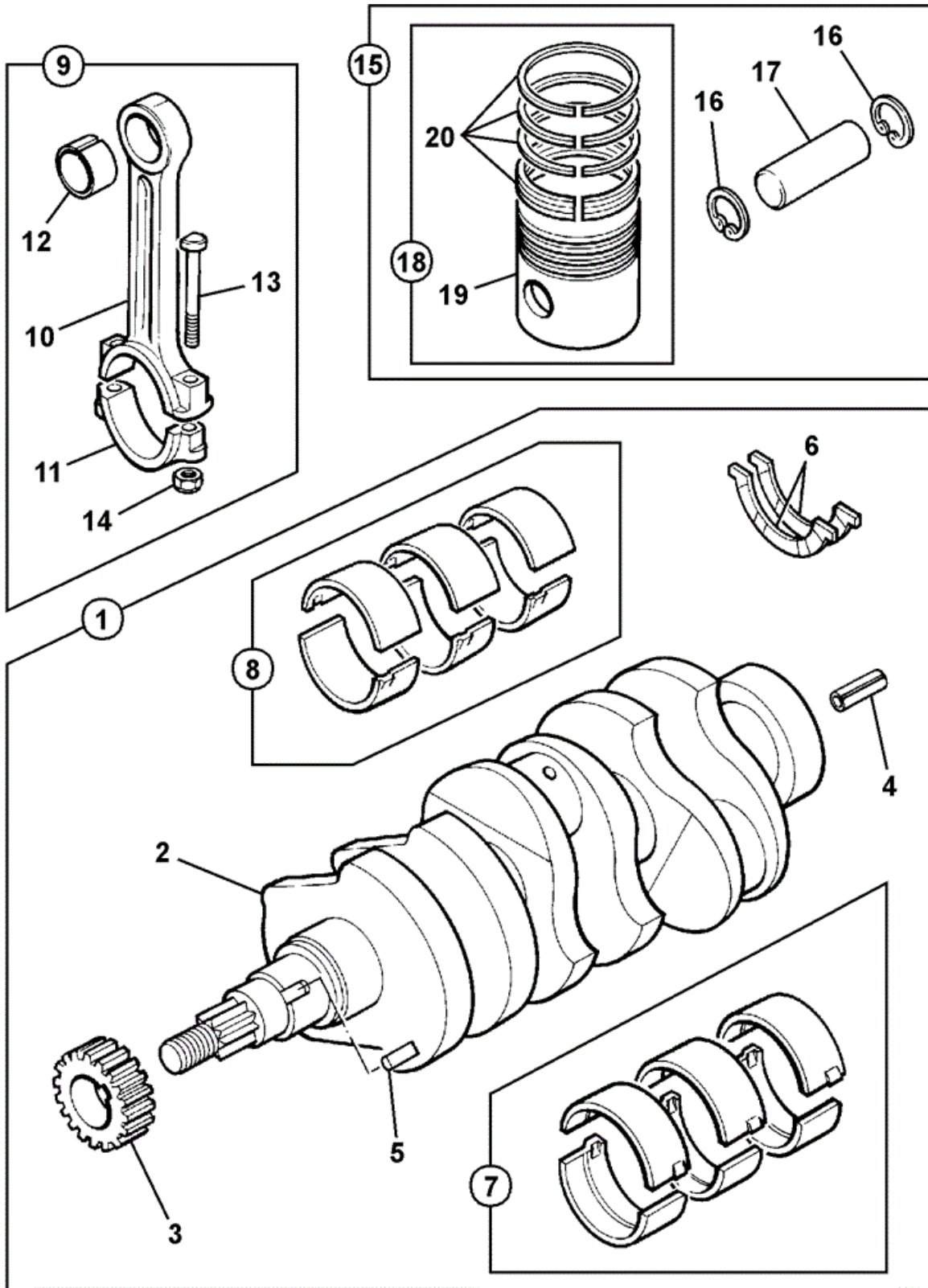
## 9802/5405 L1-3-1 BLOCK ASSEMBLY KH BUILD



H10641

Item	Part #	Change No	Description	Usage Code	QTY
1	02/632001		Block cylinder		1
2	:02/630703		Hub <i>Cyl block - timing case</i>		1

3	:02/630017		Dowel <i>Cyl block - timing case</i>	2
4	:02/630022		Stud <i>Cylinder block</i>	1
5	:02/632004		Bush	1
5	:02/632005		Bush undersize - 0.25mm	1
5	:02/632006		Bush undersize - 0.50mm	1
6	:02/630009		Bush	1
7	:02/630004		Plug D=40mm <i>Water jacket L.H.S.</i>	2
8	:02/630004		Plug D=40mm <i>Front &amp; rear of block</i>	2
9	:02/630014		Plug core D=45mm <i>Camshaft rear end</i>	1
10	:02/630707		Bearing <i>Camshaft</i>	1
11	:02/630013		Bearing <i>Camshaft</i>	1
12	:02/630002		Plug D=25 <i>Water jacket R.H.S.</i>	1
13	:02/630001		Plug D=15 <i>Front face</i>	1
14	:02/630007		Plug 8.4mm <i>Cylinder block</i>	2
15	:02/630702		Plug 10.4mm <i>Cylinder block</i>	3
16	:02/630019		Pin	2
17	:02/630006		Plug 6.5mm <i>Cylinder block</i>	4
18	:02/630018		Dowel <i>C/block - gearbox mounting plate</i>	2
19	:02/630021		Stud <i>C/block - water pump</i>	1
20	:02/630024		Dowel <i>Fuel pump</i>	2
21	:02/630708		Stud <i>C/block - fuel pump</i>	2
22	:02/632017		Cap bearing assembly	1
23	::02/630024		Dowel	2
24	::02/630710		Screw	2
25	:02/632020		Cap bearing assembly	1
26	::02/630024		Dowel	2
27	::02/630710		Screw	2
28	:02/632023		Cap bearing assembly	1
29	::02/630024		Dowel	2
30	::02/630710		Screw	2
31	:02/630713		Screw	2
32	:02/630714		Screw	1
33	02/630031		Tap drain	1
34	02/630771		Plate	1
35	02/630345		Screw	10
36	02/630772		Seal rear oil	1



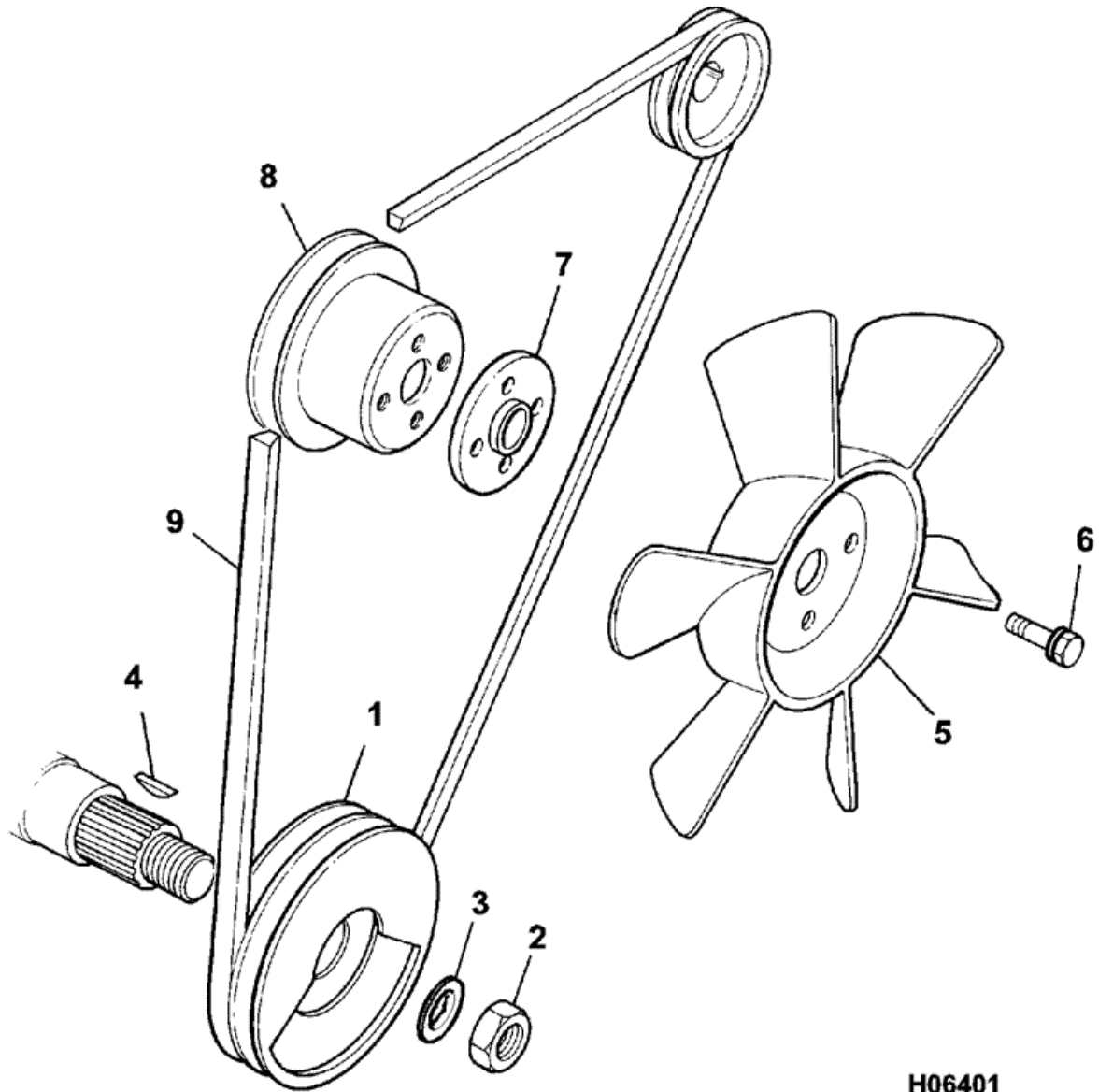
H05791

Item	Part #	Change No	Description	Usage Code	QTY
1	02/632027		Crankshaft assembly		1
2	:N.S.P.		None serviced part <i>Crankshaft</i>		1
3	:02/630716		Gear		1
4	:02/630043		Pin		1
5	:02/630042		Key		1

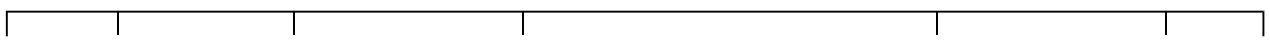
6	:02/632032		Washer thrust <i>Rear cap</i>	2
7	:02/632031		Kit main bearing standard	1
7	02/632029		Kit main bearing undersize - 0.25mm	0
7	02/632030		Kit main bearing undersize - 0.50mm	0
8	:02/632043		Kit-bearing big end standard	1
8	02/632044		Kit-bearing big end undersize - 0.25mm	0
8	02/632045		Kit-bearing big end undersize - 0.50mm	0
9	02/632040		Rod connecting	3
10	:N.S.P.		None serviced part	1
11	:N.S.P.		None serviced part	1
12	:02/632042		Bush small end <i>Small end</i>	3
13	:02/630726		Screw	2
14	:02/630727		Nut	2
15	02/632142		Piston assembly standard	3
15	02/632143		Piston assembly oversize - 0.5mm	3
15	02/632144		Piston assembly oversize - 1.0mm	3
16	:02/632039		Circlip	2
17	:02/632038		Pin gudgeon	1
18	:N.S.P.		None serviced part <i>Piston &amp; ring kit</i>	1
18	:N.S.P.		None serviced part <i>Piston &amp; ring kit</i>	1
18	:N.S.P.		None serviced part <i>Piston &amp; ring kit</i>	1
19	::N.S.P.		None serviced part	1
20	::02/630733		Kit-piston ring	1
20	::02/630734		Kit-piston ring oversize - 0.50mm	1
20	::02/631262		Kit-piston ring oversize - 1.0mm	1



# 9802/5405 L1-5-1 FANS, PULLEYS & FAN BELT KH BUILD

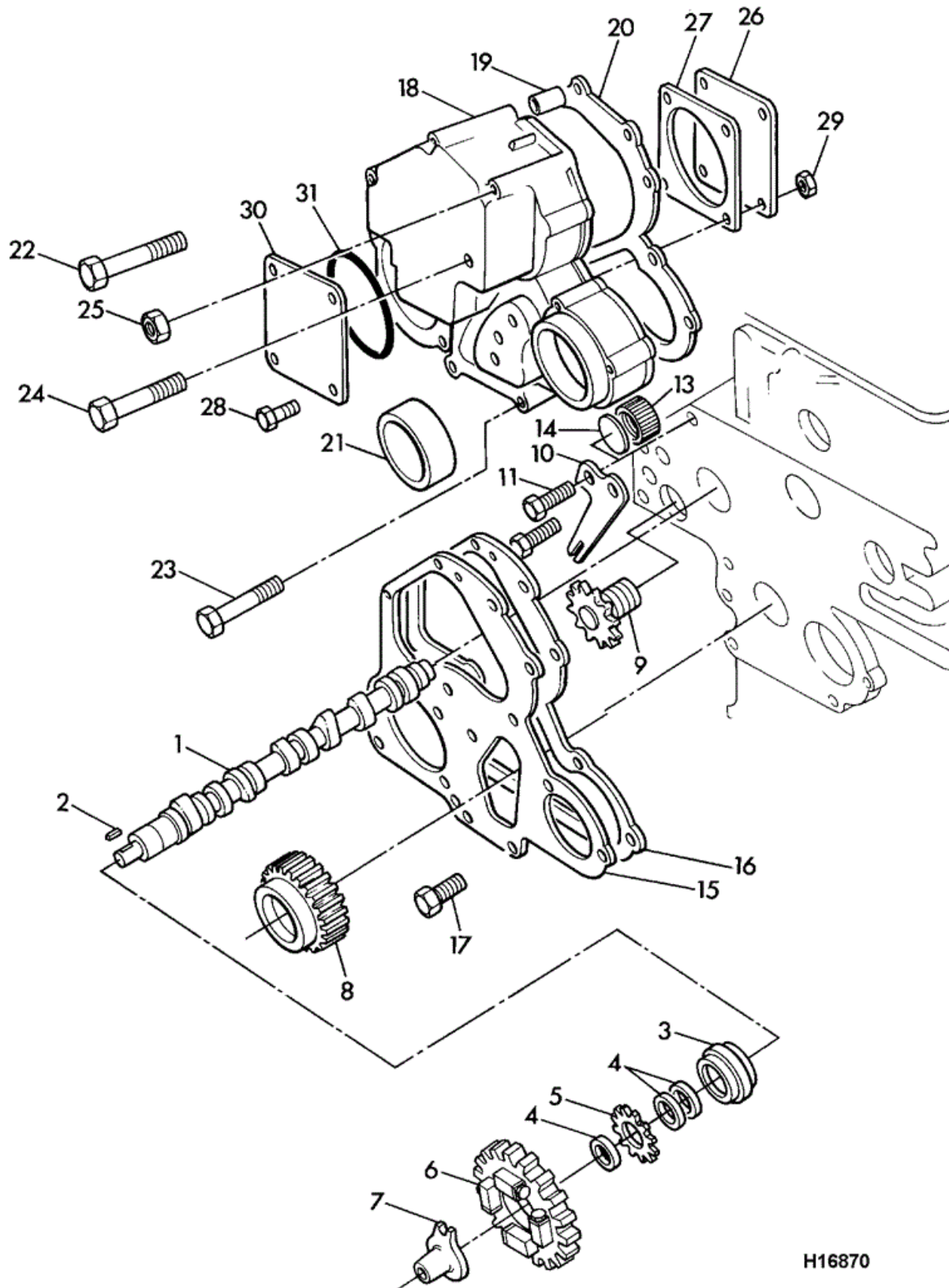


H06401



Item	Part #	Change No	Description	Usage Code	QTY
1	02/632046		Pulley crankshaft		1
2	02/630778		Nut		1
3	02/630779		Washer		1
4	02/630068		Key		1
5	02/630830		Fan <i>340mm</i>		1
6	02/630832		Screw		4
7	02/630831		Spacer fan		1
8	02/630835		Pulley water pump		1
9	02/630852		Belt fan		1
10	02/631102	<EJ537744A	Kit fan & pulley		1
10	02/631314		Pulley alternator		1

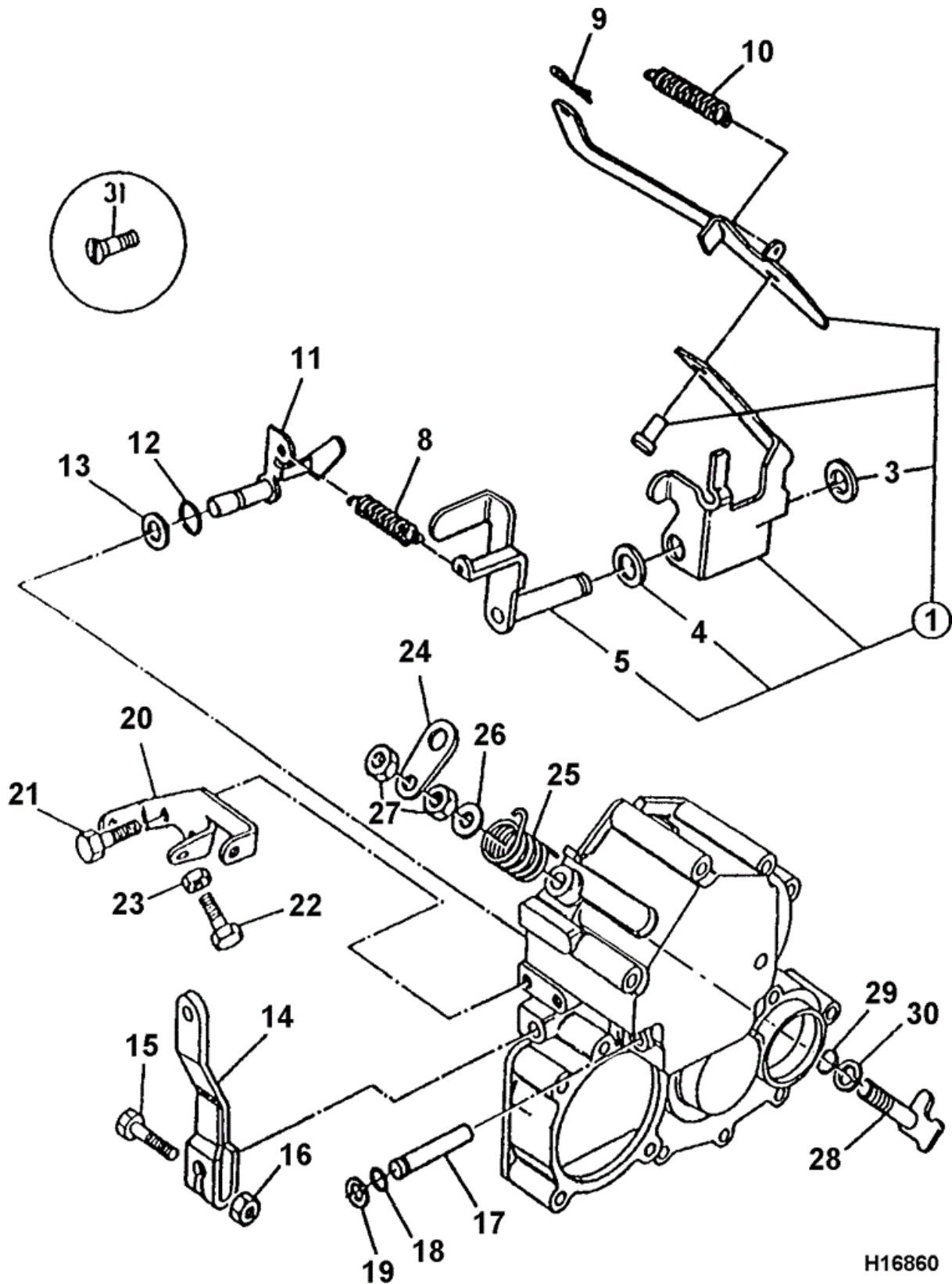




H16870

Item	Part #	Change No	Description	Usage Code	QTY
1	02/630770		Camshaft		1
2	:02/630068		Key		1
3	:02/630769		Bearing		1
4	:02/630082		Spacer		3
5	:02/630083		Gear		1

6	:02/630768		Gear	1
7	:02/630085		Tappet	1
8	****		'See Remark' <i>Oil Pump, See L5-2-1</i>	1
9	02/630100		Shaft	1
10	02/630101		Plate	1
11	02/630102		Screw	1
13	02/630104		Cap	1
14	02/630105		Seal	1
15	02/630767		Plate	1
16	02/630766		Gasket	1
17	02/630172		Bolt	2
18	02/630765		Casing timing	1
19	:02/630089		Pin	1
20	02/630764		Gasket	1
21	02/630763		Seal front oil	1
22	02/630762		Screw	6
23	02/630093		Screw	2
24	02/630095		Screw	5
25	02/630096		Nut	1
26	02/630097		Plate	2
27	02/630098		Gasket	1
28	02/630099		Screw	4
29	02/630078		Nut	4
30	02/630097		Plate	1
31	02/630079		O Ring	1

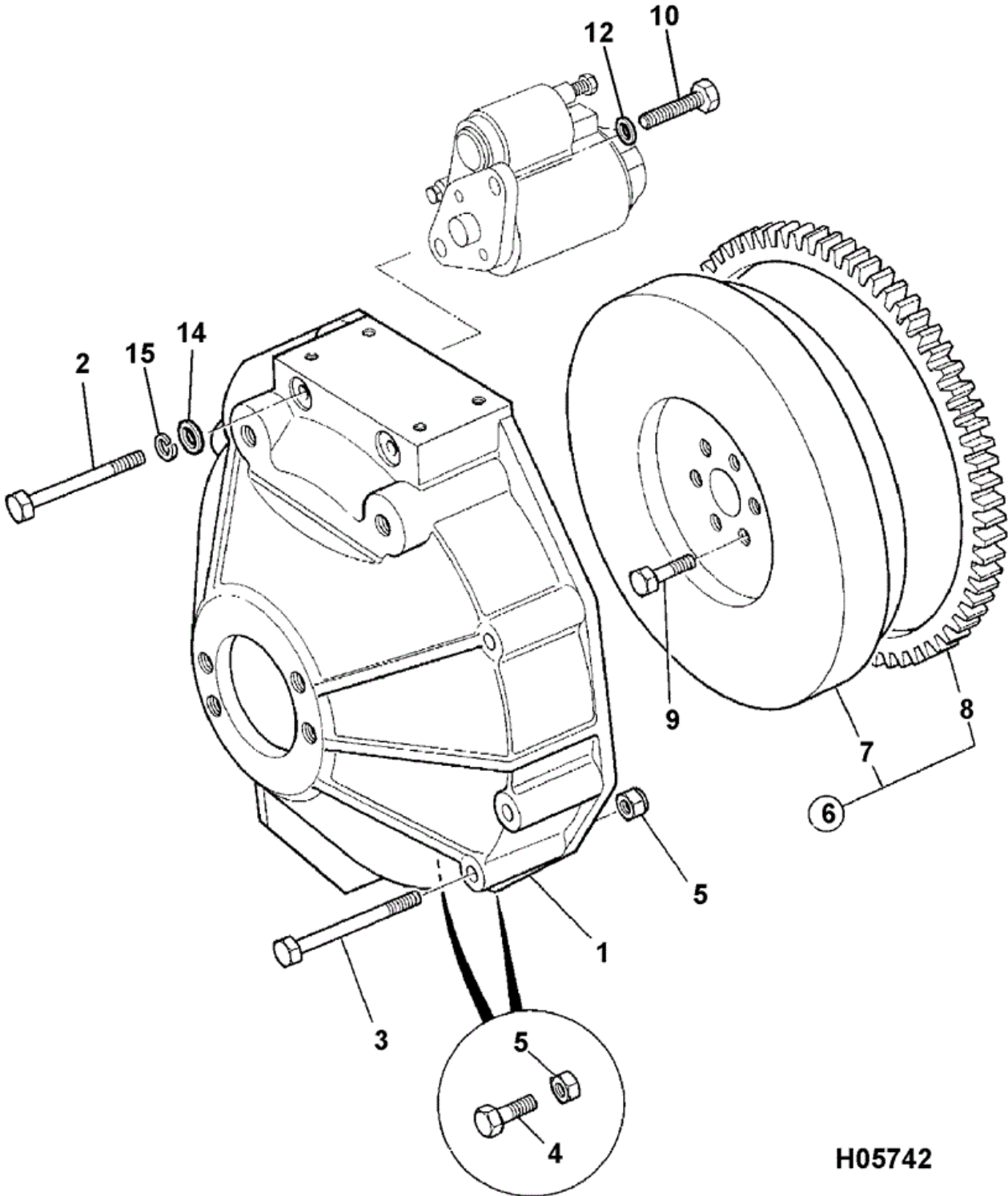


Item	Part #	Change No	Description	Usage Code	QTY
1	02/630780		Lever assembly		1
3	:02/630107		Circlip		1
4	:02/630108		Washer		1
5	:02/630781		Lever		1
8	02/630782		Spring		1

9	02/630111		Pin		1
10	02/630112		Spring		1
11	02/630113		Arm		1
12	02/630114		O Ring		1
13	02/630107		Circlip		1
14	02/630115		Lever		1
15	02/630784		Screw		1
16	02/630096		Nut		1
17	02/630785		Shaft		1
18	02/630119		O Ring		1
19	02/630120		Circlip		1
20	02/630121		Stay		1
21	02/630122		Screw		2
22	02/630131		Screw		1
23	02/630096		Nut		2
24	02/630124		Lever		1
25	02/630125		Spring		1
26	02/630126		Washer		1
27	02/630127		Nut		2
28	02/630128		Arm		1
29	02/630129		O Ring		1
30	02/630130		Circlip		1
31	02/630123		Screw <i>Governor lever setting</i>		1



# 9802/5405 L1-7-1 FLYWHEEL & HOUSING KH BUILD



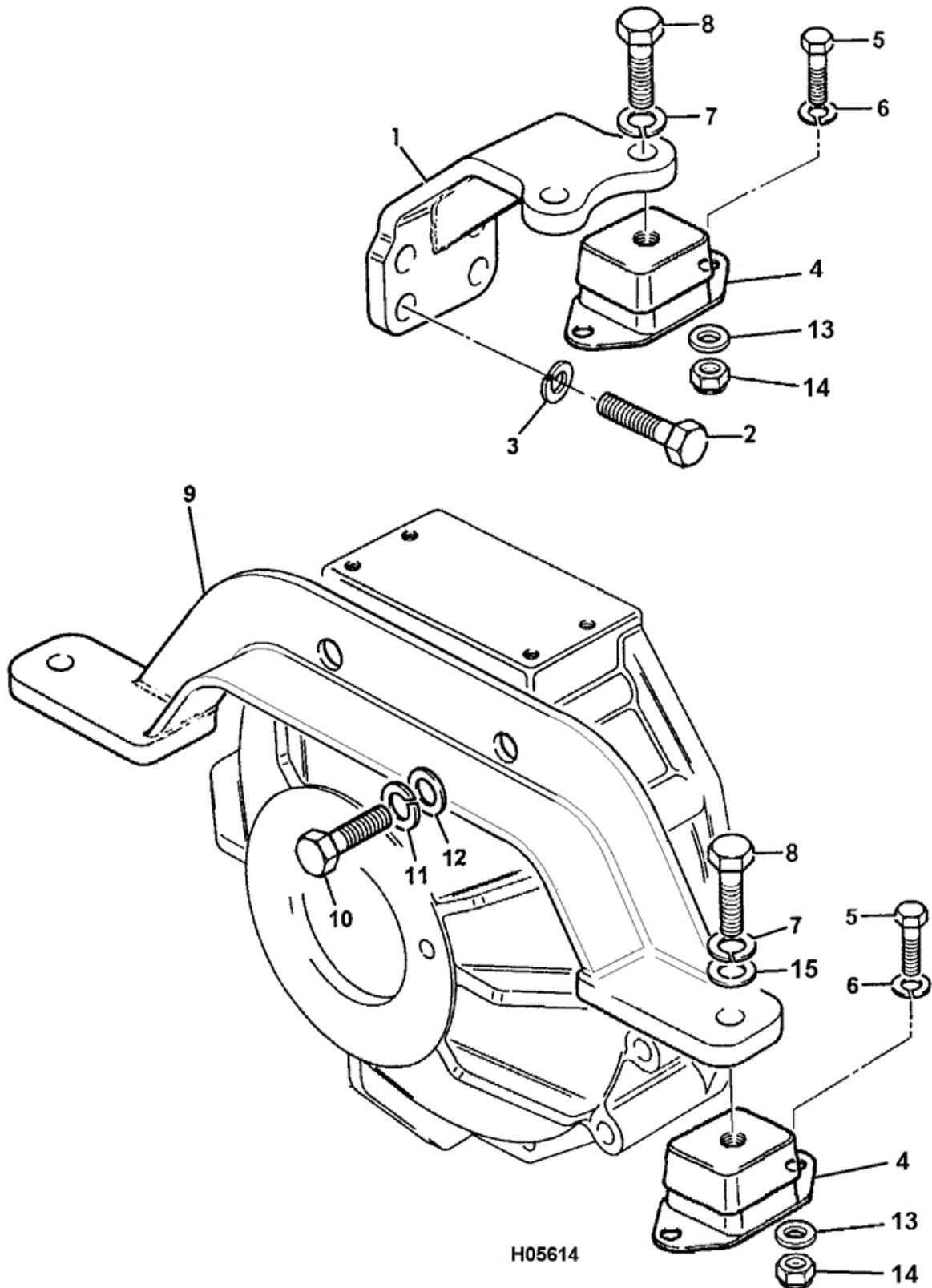
H05742

Item	Part #	Change No	Description	Usage Code	QTY
1	232/40001		Housing Flywheel		1

2	1315/3419Z		Bolt M10x90mm	2
3	1315/3420Z		Bolt (M10 X 100) <i>M10 x 100</i>	5
4	1315/0409Z		Setscrew M10 x 35 <i>M10 x 35</i>	2
5	1370/0303Z		Nut lock M10 <i>M10</i>	7
6	02/630528		Flywheel assembly	1
7	****		None serviced part	1
8	:02/630774		Gear starter ring	1
9	:02/630775		Bolt <i>Flywheel - crankshaft</i>	6
10	02/630776		Screw <i>Motor - bell housing</i>	2
12	02/630134		Washer spring	2
14	1420/0008Z	>M732292	Washer (M10)	3
15	1425/0008Z	>M732292	Spring Washer	4



# 9802/5405 L1-8-1 ENGINE MOUNTINGS KH BUILD



H05614

Thank you so much for reading.  
Please click the “Buy Now!”  
button below to download the  
complete manual.



After you pay.

You can download the most  
perfect and complete manual in  
the world immediately.

Our support email:

[ebooklibonline@outlook.com](mailto:ebooklibonline@outlook.com)