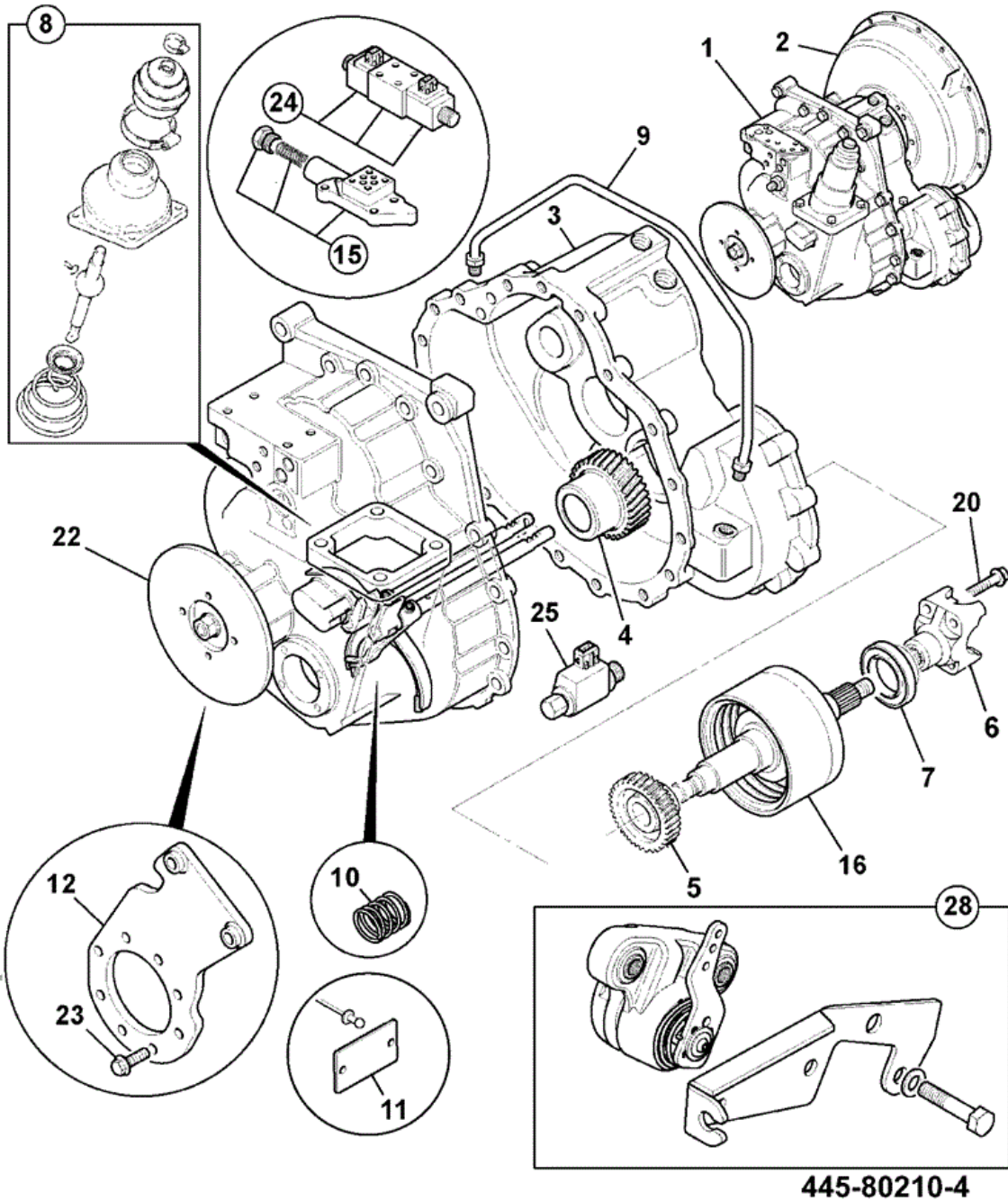


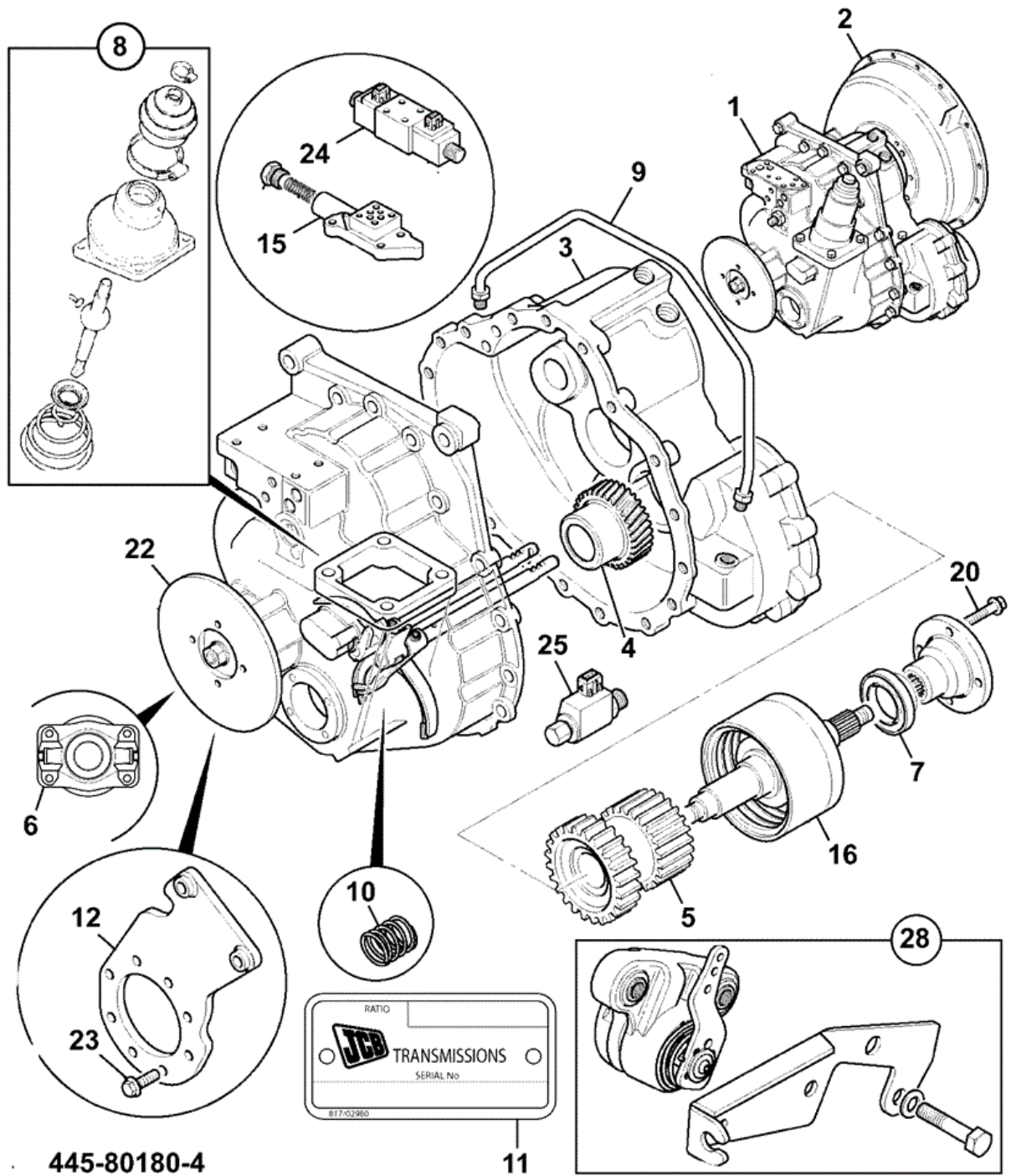
JCB 9822/0825 F500-1-1 SYNCHROSHUTTLE GEARBOX
 INSTALLATION ASSEMBLIES COMPONENTS SS600



Item	Part #	Change No	Description	Usage Code	QTY
1	445/76600		Gearbox common components 4WD, NSP		1

2	459/M0304	Housing Flywheel SAE3	1
3	459/30376	Casing Front SAE3	1
4	445/06101	Gear input 21 teeth	1
5	459/50843	Gear output 37 teeth	1
6	445/10703	Yoke Coupling	1
7	904/20172	Seal Triple Lip, To Suit 55.0/54.81 Shaft Brown	1
8	445/05300	Lever Assembly	1
9	445/28200	Pipe male ended M12 thread	1
10	814/00406	Spring	1
12	331/16159	Bracket brake caliper mount Hayes caliper	1
15	445/07300	Adapter Block Assembly	1
16	459/10119	Clutch Assembly 4WD	1
20	826/01553	Bolt Setscrew	1
22	460/12001	Flange disc 22 teeth	1
23	826/01080	Bolt	7
24	25/220998	Valve Solenoid Assembly	1
25	25/220992	Valve solenoid assembly	1
28	459/10251	Caliper reaction bracket assembly	1

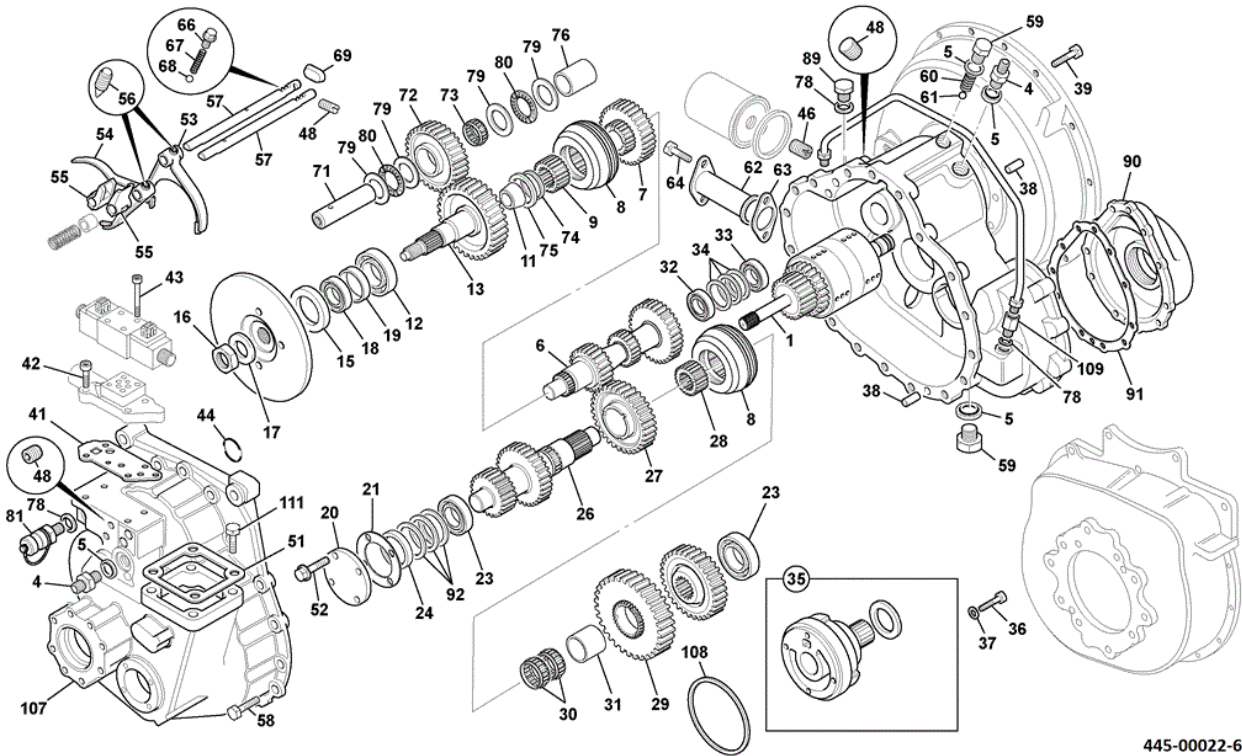
JCB 9822/0825 F500-10-1 SYNCHROSHUTTLE GEARBOX INSTALLATION ASSEMBLIES COMPONENTS 4 WHEEL DRIVE



Item	Part #	Change No	Description	Usage Code	QTY
1	445/76600		Gearbox common components 4WD, NSP		1

2	459/M0304	Housing Flywheel SAE3	1
3	459/30376	Casing Front SAE3	1
4	445/05901	Gear input 26 teeth	1
5	459/50664	Carrier Gear & Plate, 32 Teeth	1
6	445/10703	Yoke Coupling	1
7	904/20172	Seal Triple Lip, To Suit 55.0/54.81 Shaft Brown	1
8	445/05300	Lever Assembly	1
9	445/28200	Pipe male ended M12 thread	1
10	814/00406	Spring	1
12	331/16159	Bracket brake caliper mount Hayes caliper	1
15	445/07300	Adapter Block Assembly	1
16	459/10119	Clutch Assembly 4WD	1
20	826/01553	Bolt Setscrew	1
22	460/12001	Flange disc 22 teeth	1
23	826/01080	Bolt	7
24	25/220998	Valve Solenoid Assembly	1
25	25/220992	Valve solenoid assembly	1
28	459/10251	Caliper reaction bracket assembly	1

JCB 9822/0825 F520-1-1 COMMON PARTS CLUTCH S/R, 4 WHEEL DRIVE



445-00022-6

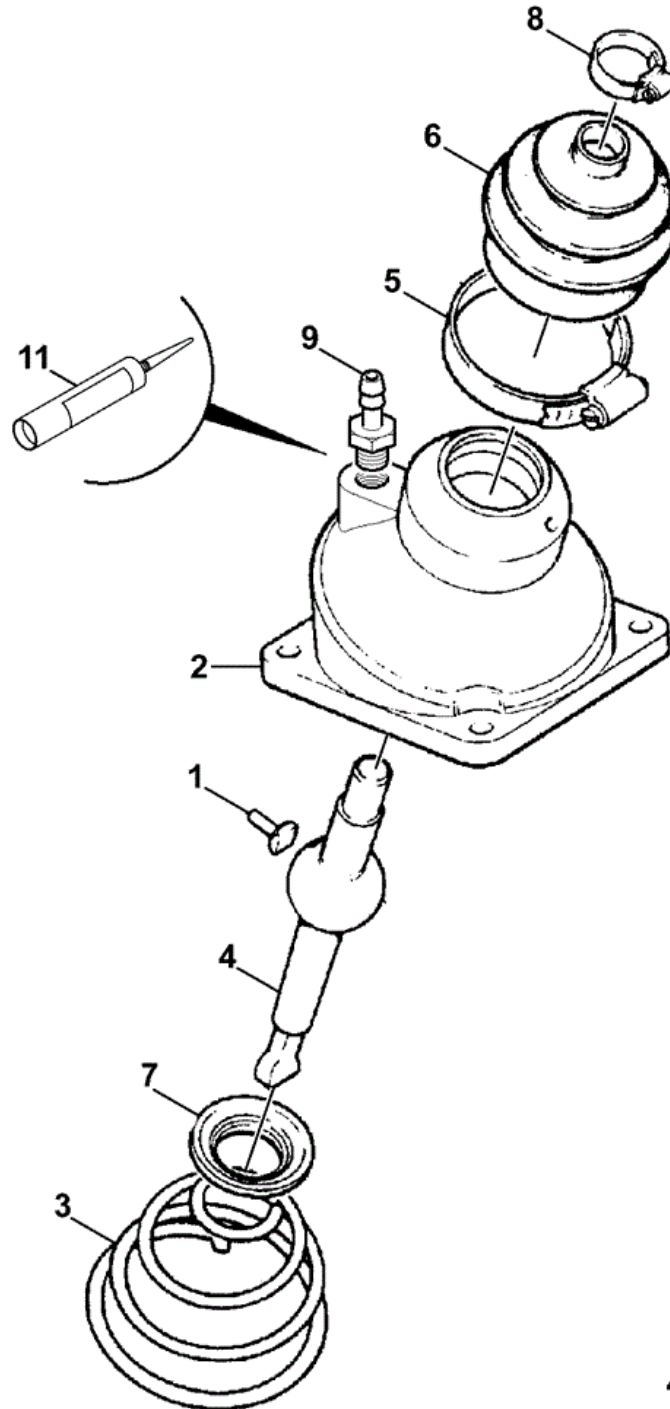
Item	Part #	Change No	Description	Usage Code	QTY
1	445/73500		Clutch Reverser Assembly		1
4	1606/0017		Adapter 5/8" x 1/2" M/M		2
5	1406/0018		Washer Bonded (1/2" BSP)		5
6	445/03014		Shaft main		1
7	445/03007		Gear 31T - 3rd		1
8	445/03300		Synchroniser Assembly		2
9	445/03003		Sleeve		1
11	907/51500		Bearing w/o outer case		1
12	907/20045		Bearing taper roller		1
13	445/64401		Gear 36T		1
15	904/05100		Seal		1
16	826/01551		Nut Stake M30 (46mm Head)		1
17	823/00331		Washer (31.3mm x 55.5mm x 4mm)		1
18	907/51600		Bearing Taper Roller		1
19	921/53400		Kit set of spacers From 12.625 To 14.200 Thick		1
20	445/75702		Cover end		1
21	813/50056		Gasket		1
23	907/52800		Bearing Tapper Roller 35 x 65 x 18		2
24	445/70402		Spacer		1
26	459/50204		Layshaft STD ratio SS750		1

27	459/50202	Gear 2nd SS750	1
28	445/03010	Sleeve Hub Shaft	1
29	445/03012	Gear	1
30	917/02300	Bearing Needle Roller	3
31	917/00008	Bearing Inner Race	1
32	907/09700	Bearing	1
33	445/13704	Spacer	1
34	921/02200	Kit-shim	1
35	20/925327	Pump	1
36	1315/3311Z	Bolt (M8 X 45)	4
37	823/00291	Washer Copper M8	4
38	445/14001	Dowel	6
39	1315/0409Z	Setscrew M10 x 35	12
41	813/10175	Gasket Valve Block	1
42	1392/3207	Capscrew	4
43	1391/3108Z	Capscrew M5 X 30mm	4
44	828/10222	O Ring 20 x 1.6mm	2
46	816/15184	Adapter 1/2"BSPx1"UNF	1
47	826/M1731	Rivet pop	2
48	816/80052	Plug Taper 1/4" BSP	6
51	813/50042	Gasket	1
52	826/01416	Screw micro-encapsulated	4
53	445/26101	Fork selector	1
54	459/30299	Fork selector 3rd	1
55	459/70199	Block Selector	2
56	826/M3831	Screw locking	4
57	459/M2082	Shaft selector	2
58	826/01417	Setscrew flanged M10 x 30	28
59	816/80041	Plug 1/2"BSP 25.65mm A/F	3
60	814/00222	Spring	1
61	916/00008	Bearing 14diameter Ball	1
62	32/902200	Strainer Suction	1
63	813/50027	Gasket	1
64	1321/0303Z	Screw M8 x 16	2
66	816/80057	Plug detent	2
67	814/00354	Spring	2
68	916/00006	Ball 11mm dia	2
69	445/03031	Roller Baulk	1
71	459/70087	Shaft Idler	1
72	459/50440	Gear Idler, 35T	1
73	917/02400	Bearing Needle Roller	1
74	445/64302	Spacer mainshaft seal	1
75	904/50027	Seal Oil Baffle	1
76	445/19002	Spacer	1
78	1406/0011	Washer Bonded (1/4")	3
79	823/00451	Washer Thrust (38.1mm x 55.55mm x 1.55mm)	4
80	917/51400	Bearing Needle Thrust	2
81	45/905000	Adapter Pressure Test 1/4BSP Male	1
89	816/82009	Plug M12 (Washer 1406/0011)	1
90	459/30451	Cover 4WD clutch	1
91	813/50048	Gasket	1

92	445/04700		Kit-shim		3
107	459/30377		Casing rear		1
108	813/50041		Seal Rear		1
109	445/66100		Valve non-return male/female		1
111	826/01361		Setscrew		4
114	835/10095		Cap Protection Valve		3
115	917/10000		Bearing Needle Roller		1



9822/0825 F530-1-1 GEARLEVER TURRET DETAILS

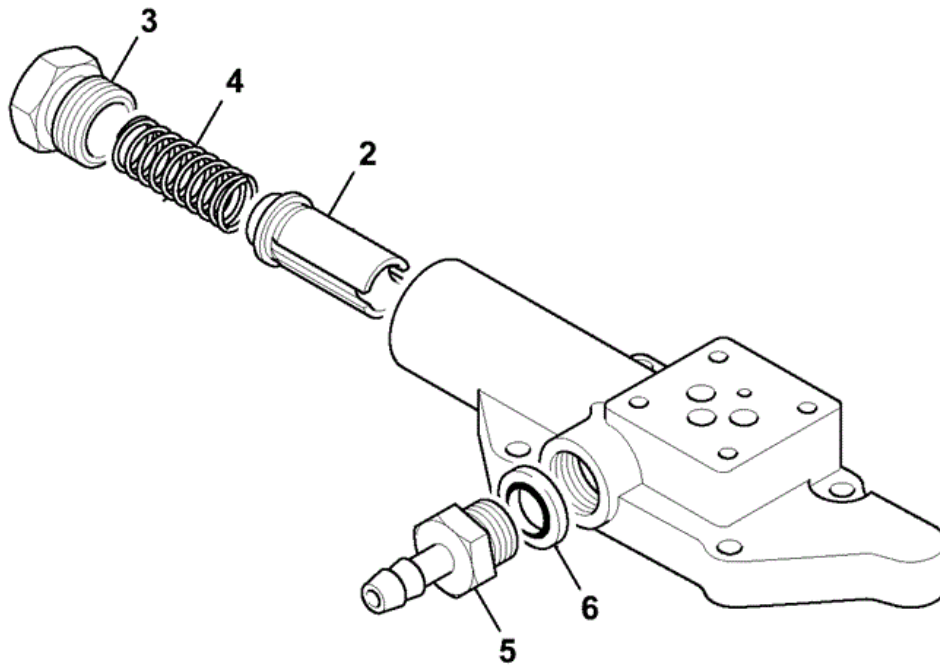


445-05300-5

Item	Part #	Change No	Description	Usage Code	QTY
A	445/05300		Lever Assembly		1
1	:445/03023		Pin Pivot		1
2	:445/03019		Housing		1

3	:814/00221		Spring Gear Lever		1
4	:445/03022		Lever gear shift		1
5	:445/05301		Clip		1
6	:445/03021		Gaiter gear change		1
7	:445/03020		Retainer Spring		1
8	:445/05302		Clip		1
9	N/A		Not applicable not available		1
11	4102/1200		Sealant <i>QTY:A/R</i>		0

JCB 9822/0825 F590-1-1 OTHER SS PARTS ADAPTOR BLOCK
ASSEMBLY

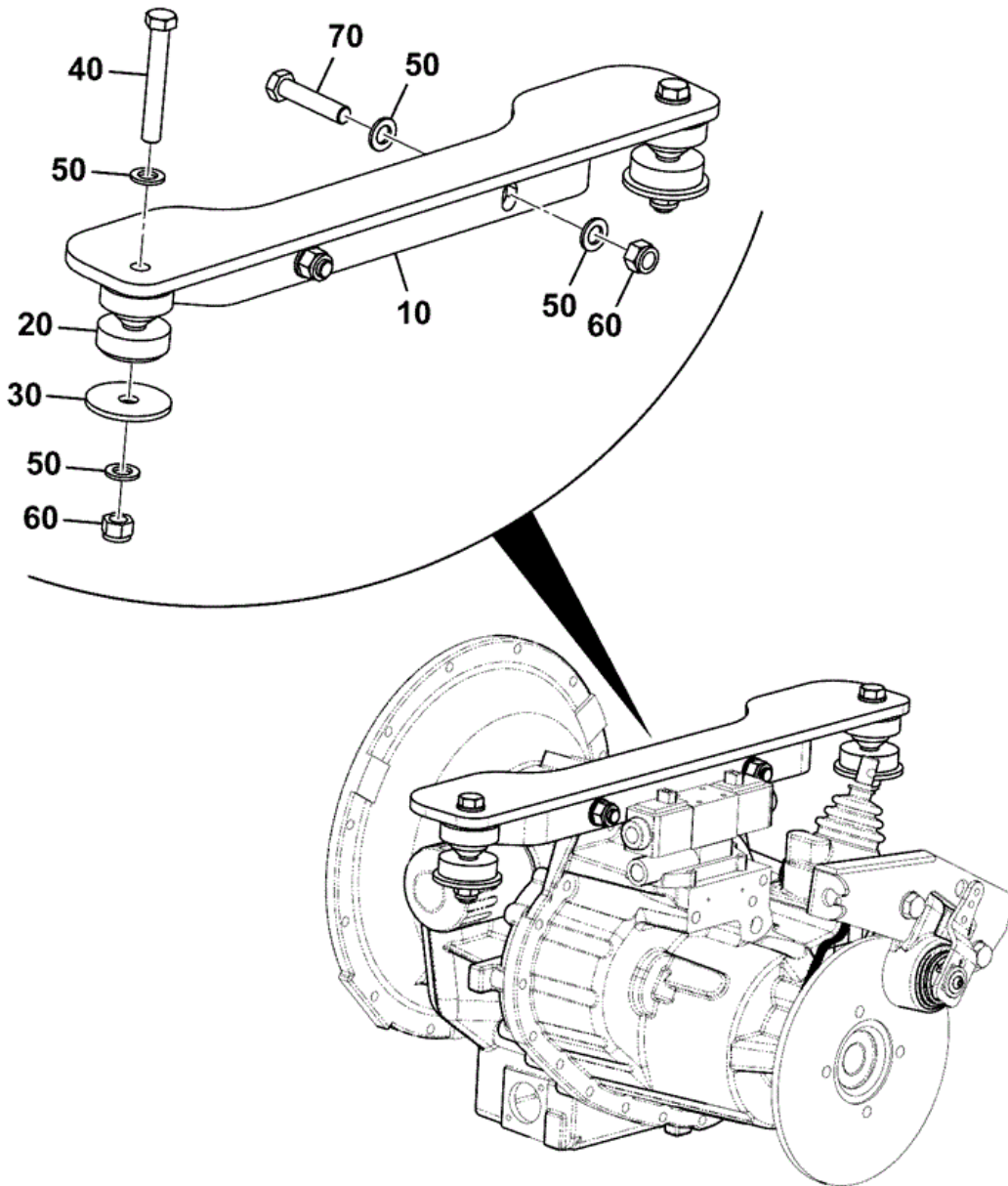


445-07300-13

Item	Part #	Change No	Description	Usage Code	QTY
A	445/07300		Adapter Block Assembly		1

2	459/70168		Spool Adapter Solenoid		1
3	816/80061		Plug		1
4	814/00407		Spring		1
5	816/60286		Adapter		1
6	1406/0008		Seal Washer		1

JCB 9822/0825 F590-5-1 OTHER SS PARTS MOUNTINGS
GEARBOX



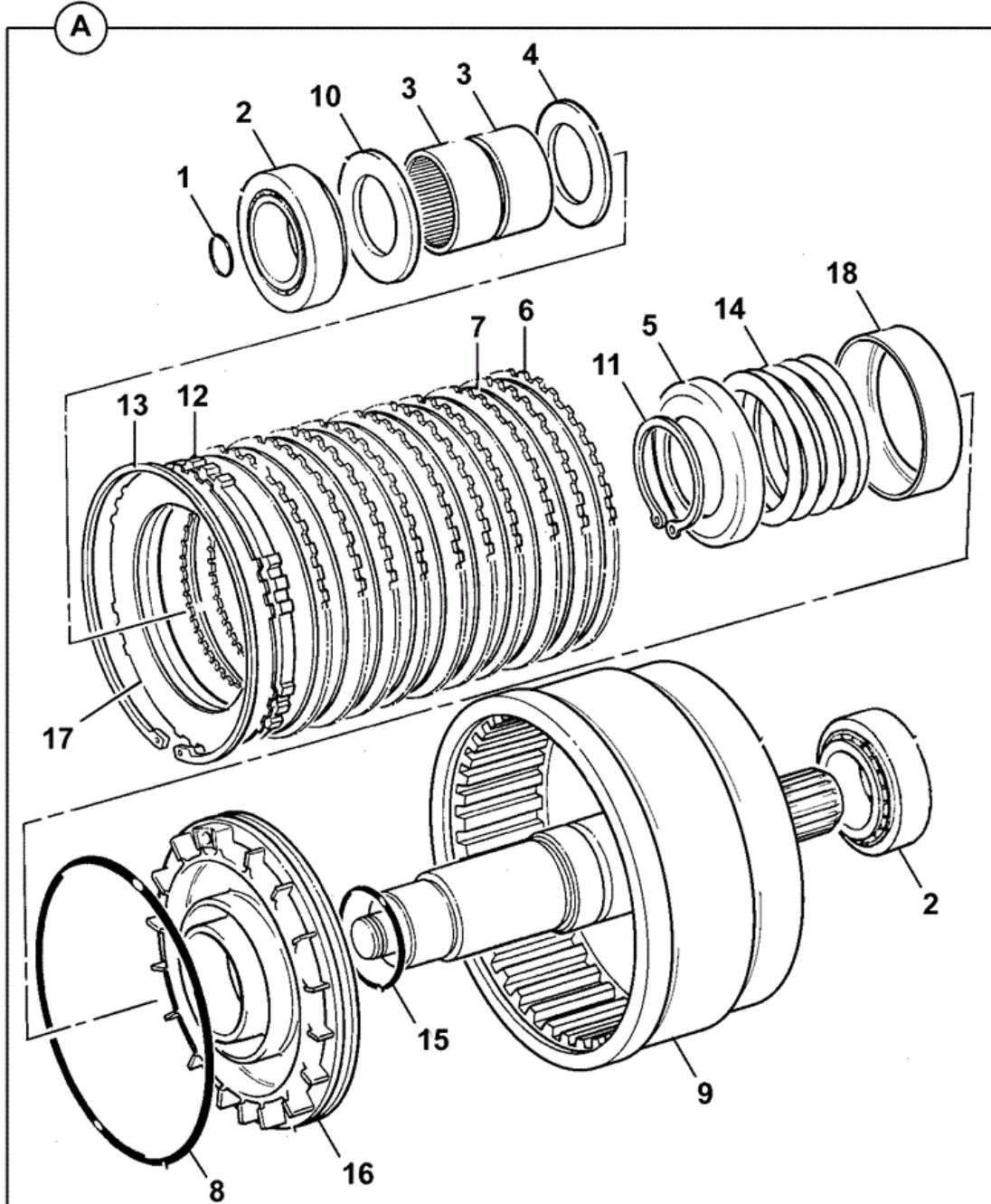
334-S6508-1

Item	Part #	Change No	Description	Usage Code	QTY
10	335/12277		Mounting Transmission		1

20	242/00392		Mount Engine	2
30	120/16902		Plate Rebound	2
40	1315/3721D		Bolt M16 x 110	2
50	1420/0011D		Washer (M16)	8
60	1370/0603D		Nut -Lock Nut, M16	4
70	1315/3717D		Bolt M16x75	2



9822/0825 F620-1-1 4WD CLUTCH ASSEMBLY



459-10119-5

Item	Part #	Change No	Description	Usage Code	QTY
1	904/14300		Seal ring (turquoise)		1
2	907/52800		Bearing Tapper Roller 35 x 65 x 18		2
3	917/02700		Bearing Needle Roller		2

4	445/19808		Washer thrust, 3.5mm thick phosphated		1
5	445/12304		Retainer spring		1
6	445/12307		Plate Counter		10
7	445/03205		Plate Friction		10
8	828/00414		O Ring 123.5mm I/D		1
9	459/50483		Housing 4wd clutch		1
10	823/10364		Washer Thrust (35.15mm x 60mm x 3.51mm)		1
11	821/00523		Circlip		1
12	331/31560		Plate Pressure 4mm		1
13	2203/1115		Circlip		1
14	814/00297		Spring Compression		1
15	828/00224		O Ring 39.7mm I/D X 3.53mm		1
16	445/M2158		Piston -Clutch		1
17	445/12314		Shim plate, Toothed		0

Thank you so much for reading.
Please click the “Buy Now!”
button below to download the
complete manual.



After you pay.

You can download the most
perfect and complete manual in
the world immediately.

Our support email:

ebooklibonline@outlook.com