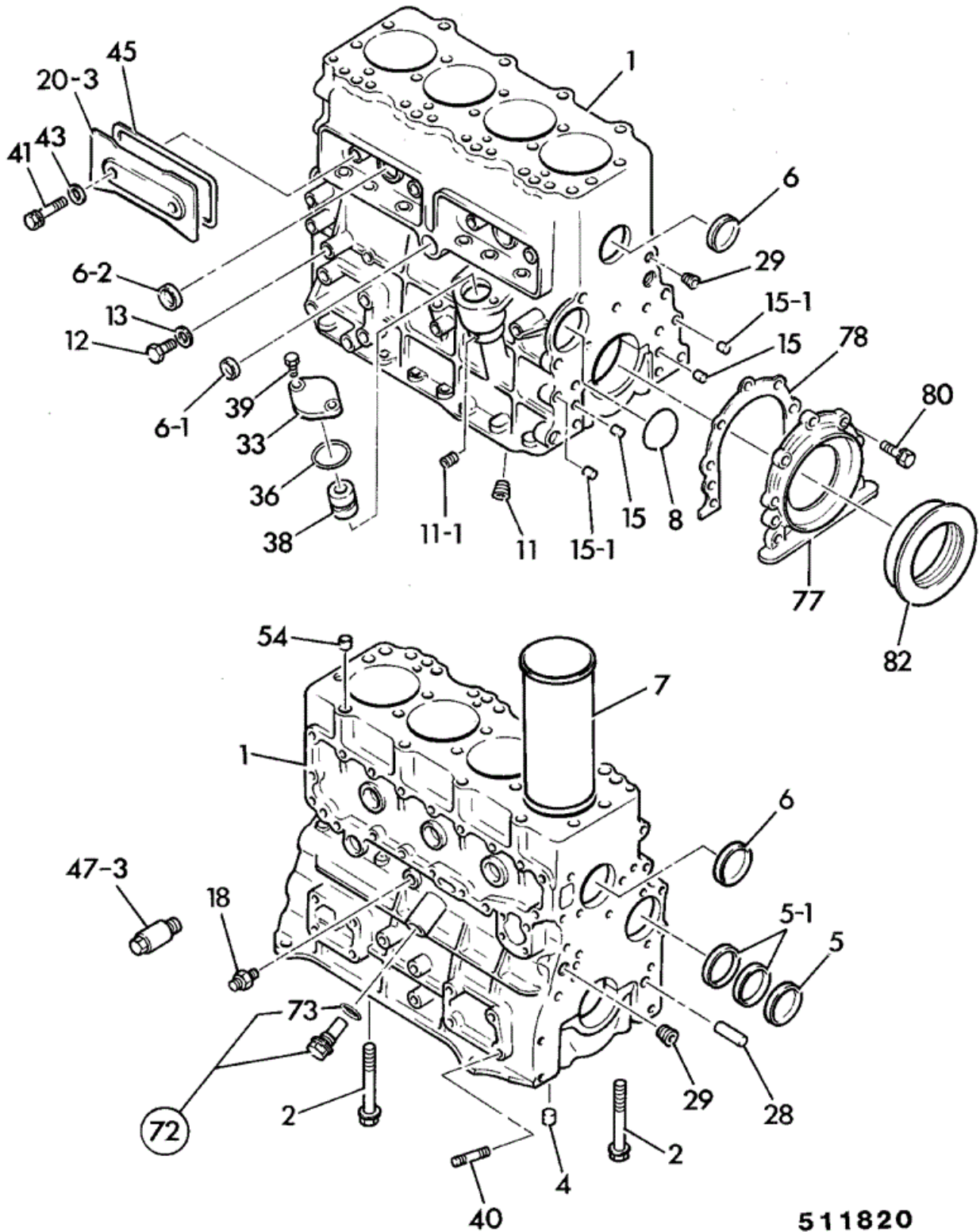


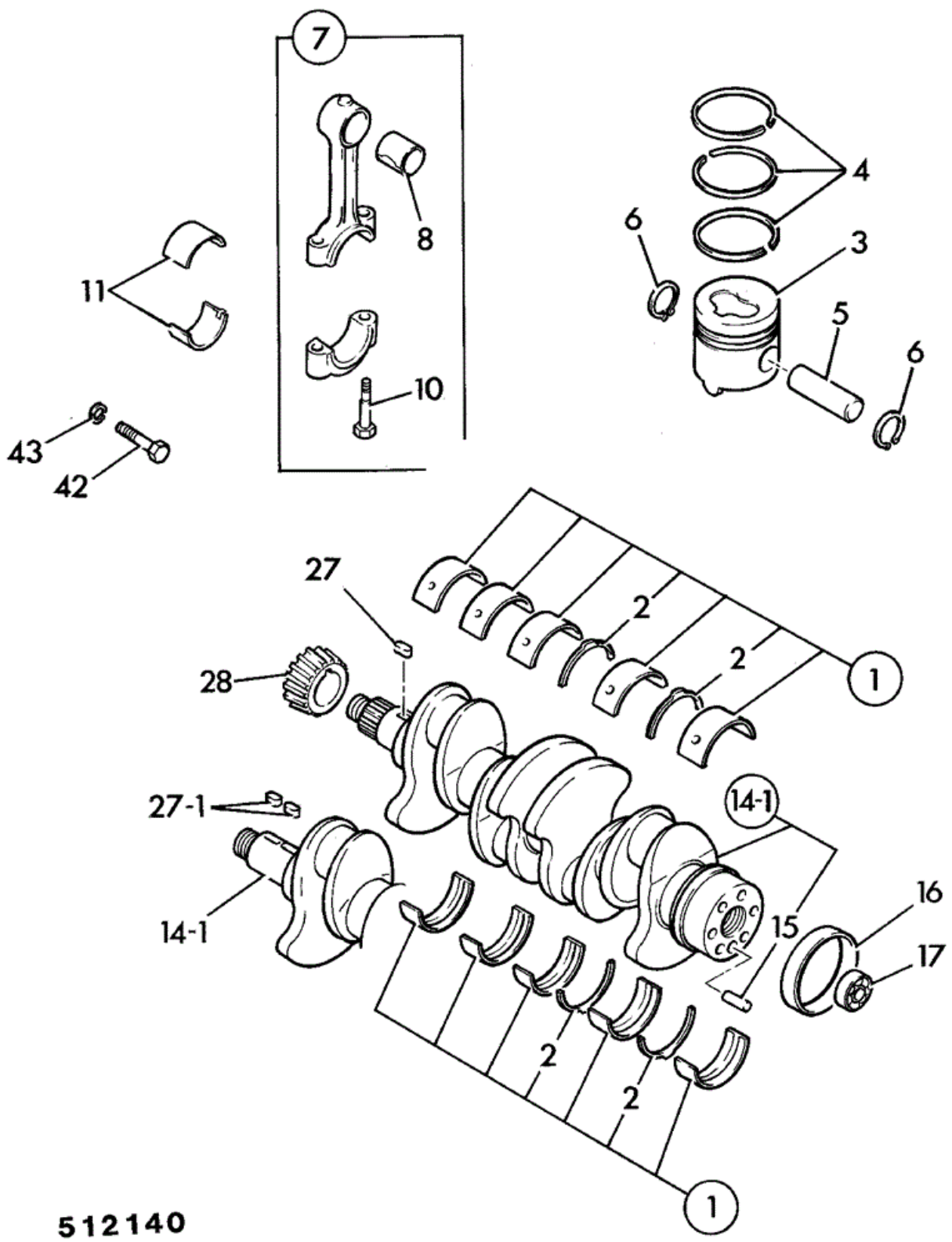


# 9802/5750 L1-3-1 BLOCK ASSEMBLY



511820

Item	Part #	Change No	Description	Usage Code	QTY
1	8941305355		Block assembly cylinder		1
2	:1090004691	Superseded	Bolt		10
2	:02/801541		Bolt		10
4	:5112570010		Dowel		1
5	:9116110480		Bearing camshaft, front		1
5-1	:9116930350		Bearing centre & rear		2
6	:1096000520		Plug d=60		2
6-1	:5112190140		Plug d=28		1
6-2	:1096000121		Plug tappet chamber, D=32		2
7	:1112611180	Superseded	Liner cylinder		4
7	:02/800683		Liner cylinder, grade (CX) 105.021/105.031		4
8	9098600190		Plug		1
11	9992055170		Plug		1
11-1	5096050180		Plug D=1/8"		7
12	9992023140		Plug		1
13	9095720140		Washer seal		1
15	9081508160		Pin		2
15-1	9081510180		Pin D=10 x L=18		2
18	5096600330		Adapter		1
20-3	5112910210	<FEB 93	Cover tappet		2
20-3	02/800005	>MAR 93	Cover tappet		2
28	1097400780		Pin		1
29	1096050681		Plug		2
33	1112191291		Cover oil pump		1
36	1096234650		O Ring		1
38	5112240040		Bush		1
39	0500408200		Bolt		2
40	1093000550		Stud L1=45		1
41	8941075662	<FEB 93	Bolt L=56		4
41	02/800007	>MAR 93	Bolt L=56		4
43	9095720080		Washer seal		4
45	02/800006		Gasket tappet cover		2
47-3	1096800250		Tap water drain		1
54	8941480790		Dowel D=16		2
65	9091645080		Washer <i>PTA14 Build only</i>		2
66	9091104080		Nut <i>PTA14 Build only</i>		2
67	9091505080		Washer spring <i>PTA14 Build only</i>		1
72	8970233390		Valve oil relief, assembly		1
73	:5096230350		O Ring		1
77	8941145611		Retainer seal		1
78	8943708350		Gasket rear seal housing		1
80	0500408220		Bolt L=22		7
82	1096253620		Seal oil, rear		1



**512140**

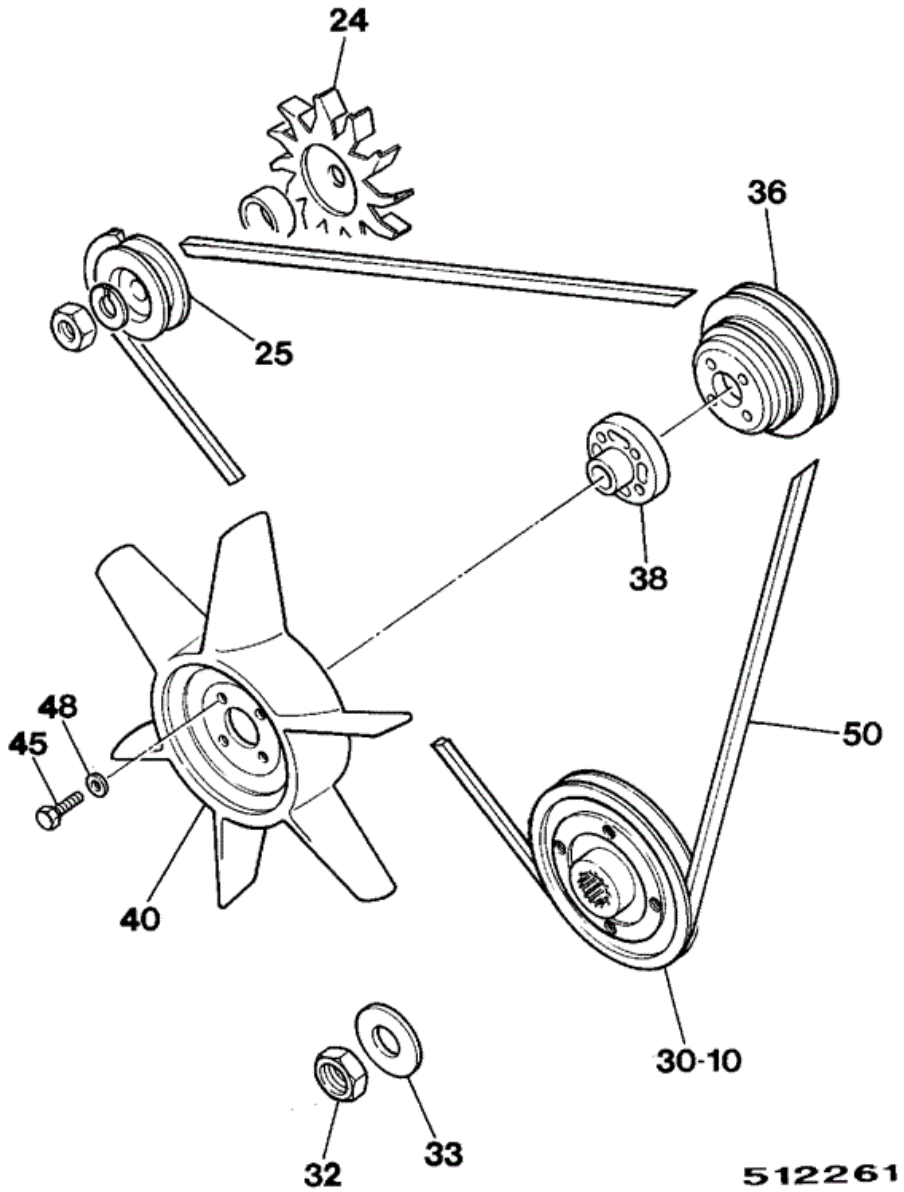
Item	Part #	Change No	Description	Usage Code	QTY
1	8941170320	Superseded	Kit-main bearing standard		1
1	8941170321	Superseded	Kit-main bearing standard		1
1	8941170322	<MARCH.96	Kit-main bearing standard		1
1	02/800792	>APRIL.96	Kit-main bearing Standard		1
1	02/801576		Kit-main bearing undersize - 0.25		0

1	02/801577		Kit-main bearing undersize - 0.50		0
2	:8941145650	Superseded	Kit-thrust washer standard		2
2	:8941145651		Kit-thrust washer standard		2
2	:8941145652	Superseded	Kit-thrust washer standard		2
2	:8941145651		Kit-thrust washer standard		2
3	1121112401	Superseded	Piston std		4
3	02/800678		Piston assembly, (AX)		4
4	5121210050		Kit-piston ring standard		4
5	9122116040		Pin gudgeon		4
6	8941075750	Superseded	Ring snap		8
6	02/801519		Ring snap,piston pin		8
7	1122301040	Superseded	Rod connecting, assembly		4
7	1122301041		Rod connecting, assembly		4
8	:1122510270		Bush small end		1
10	:1122350271		Bolt		2
11	9122716080		Kit-big end Standard		4
11	9122736080		Kit-big end undersize - 0.25		4
11	9122746080		Kit-big end undersize - 0.50		4
11	9122756080		Kit-big end undersize - 0.75		4
11	9122766080		Kit-big end undersize - 1.00		4
14-1	5123101891		Crankshaft assembly		1
15	:9081612200		Pin		1
16	****		'See Remark' <i>Not fitted or required on this application</i>		1
17	9000906790		Bearing radial ball		1
27-1	5097370012	Superseded	Key		2
27-1	02/800008		Key		2
28	9125210430		Gear crankshaft		1
29	****		'See Remark' <i>See Note 1</i>		1

*Note 1: Items 30,7,30,10,32,33 & 34 are now transferred to frame L1-5-1.*

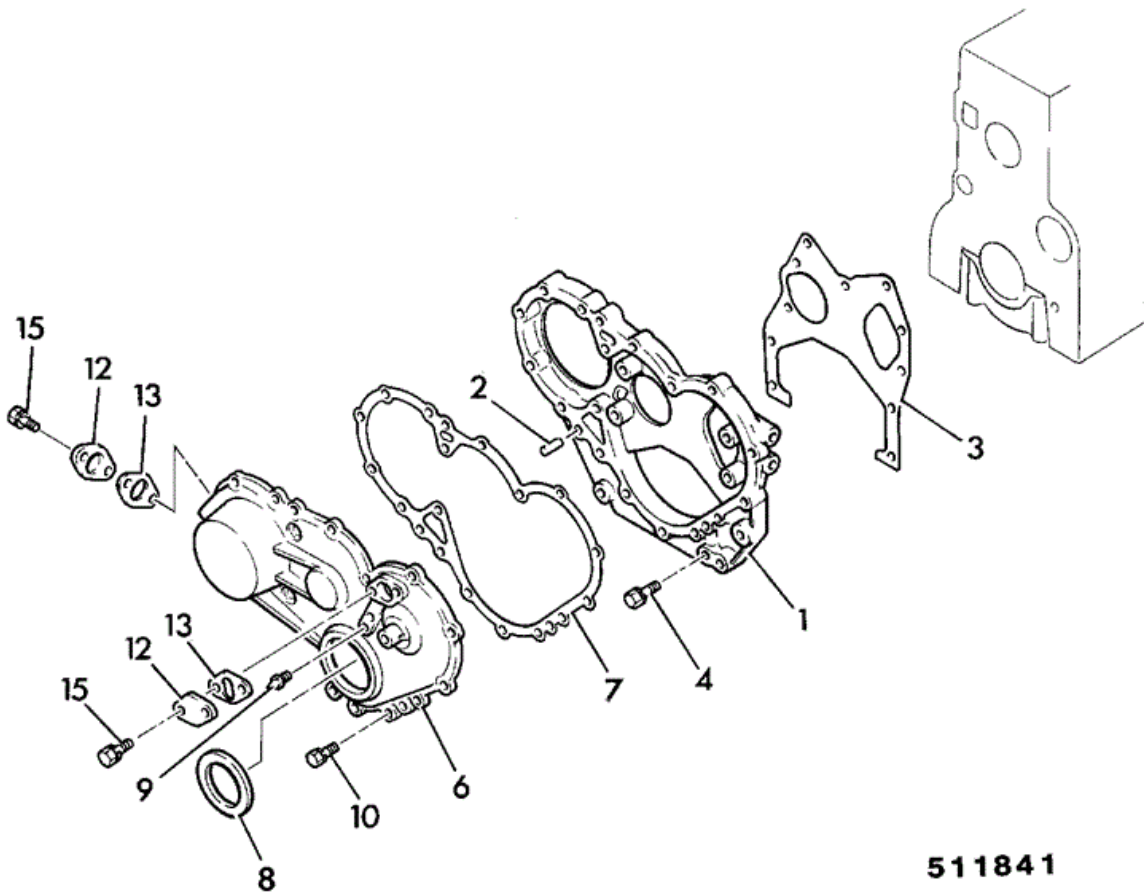


# 9802/5750 L1-5-1 FANS, PULLEYS & FAN BELT

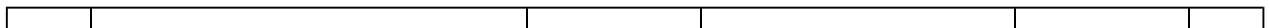


Item	Part #	Change No	Description	Usage Code	QTY
24	1812230050		Fan alternator		1
25	1812220550	Superseded	Pulley alternator		1
25	714/25101		Pulley alternator twin groove		1
30-10	8944493660		Pulley crankshaft		1
32	5123780020		Nut		1
33	5095030240		Washer		1
36	5136630311		Pulley water pump		1
38	5136420591		Spacer fan - t=54		1
40	1136600290		Fan cooling		1
45	5090300131		Bolt L=75		4
48	9098516490		Washer plain		4
50	1136711420	<APRIL 93	Belt fan, pair <i>PTA05,PTA14,PTA15 BUILDS</i>		1
50	02/800222	>MAY 93	Belt fan, single L=1211mm		1

**JCB** 9802/5750 L1-6-1 TIMING CASE



**511841**

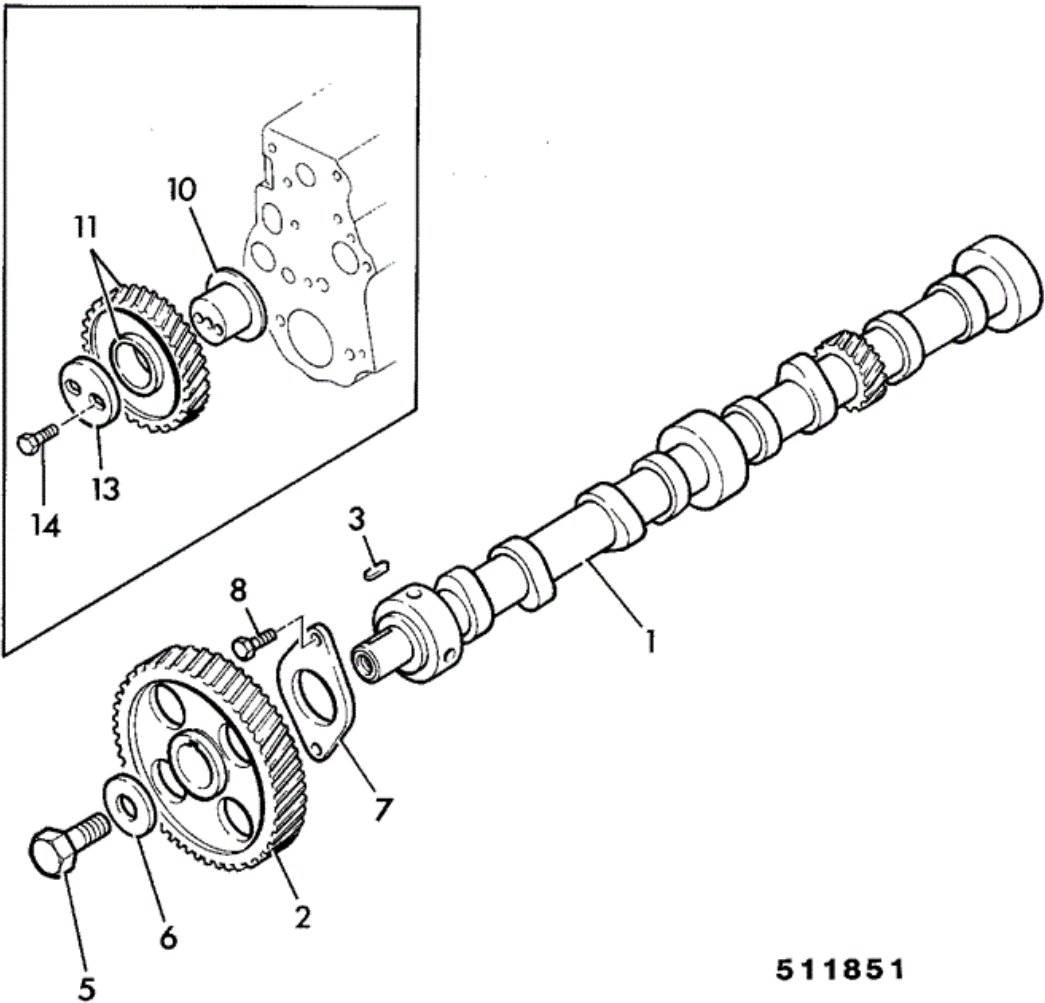


Item	Part #	Change No	Description	Usage Code	QTY
1	5113110113		Casing timing		1
2	9081510180		Pin D=10 x L=18		1
3	1113120140	Superseded	Gasket timing case		1
3	02/800322		Gasket timing case		1
4	0500408450		Bolt		2
4	0500408200		Bolt		4
6	1113210790		Cover timing		1
7	8943632690		Gasket timing cover		1
8	1096253190	Superseded	Seal oil, front		1
8	1096254380		Seal oil, front		1
9	9113276020		Pointer timing		1
10	0500408250		Bolt		7
10	5090000841		Bolt L=55		5
12	5113210090	Superseded	Cover inspection		2
12	02/800254		Cover inspection		2
13	1112820130		Gasket inspection cover		2
15	0500406140		Bolt		4

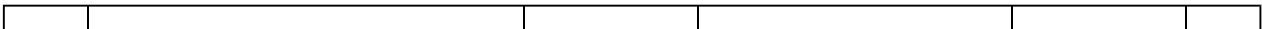




# 9802/5750 L1-6-2 CAMSHAFT & GEARS



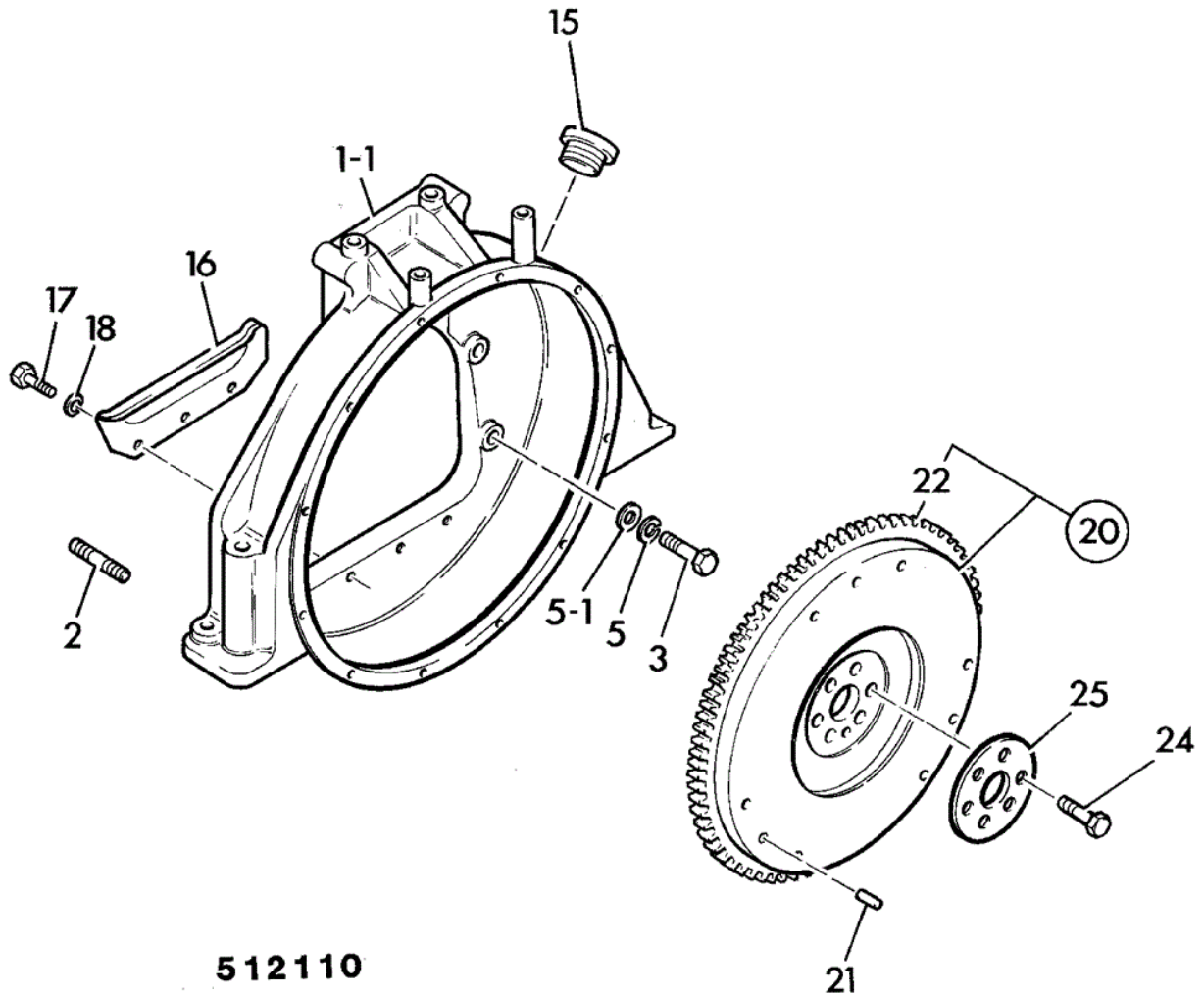
511851



Item	Part #	Change No	Description	Usage Code	QTY
1	5125110810	Superseded	Camshaft		1
1	02/800037		Camshaft		1
1-1	02/800037	>FEB 91	Camshaft		1
2	9125221471		Gear camshaft		1
3	9080107200		Key		1
5	5090002360		Bolt		1
6	02/800009		Washer cam		1
7	9116810150		Plate thrust		1
8	0500408250		Bolt		2
10	9125310300		Hub idler gear		1
11	9125238013	Superseded	Gear idler		1
11	1125230573		Gear idler		1
13	5125350011		Collar thrust		1
14	5090300381		Bolt L=55		2



## 9802/5750 L1-7-1 FLYWHEEL & HOUSING

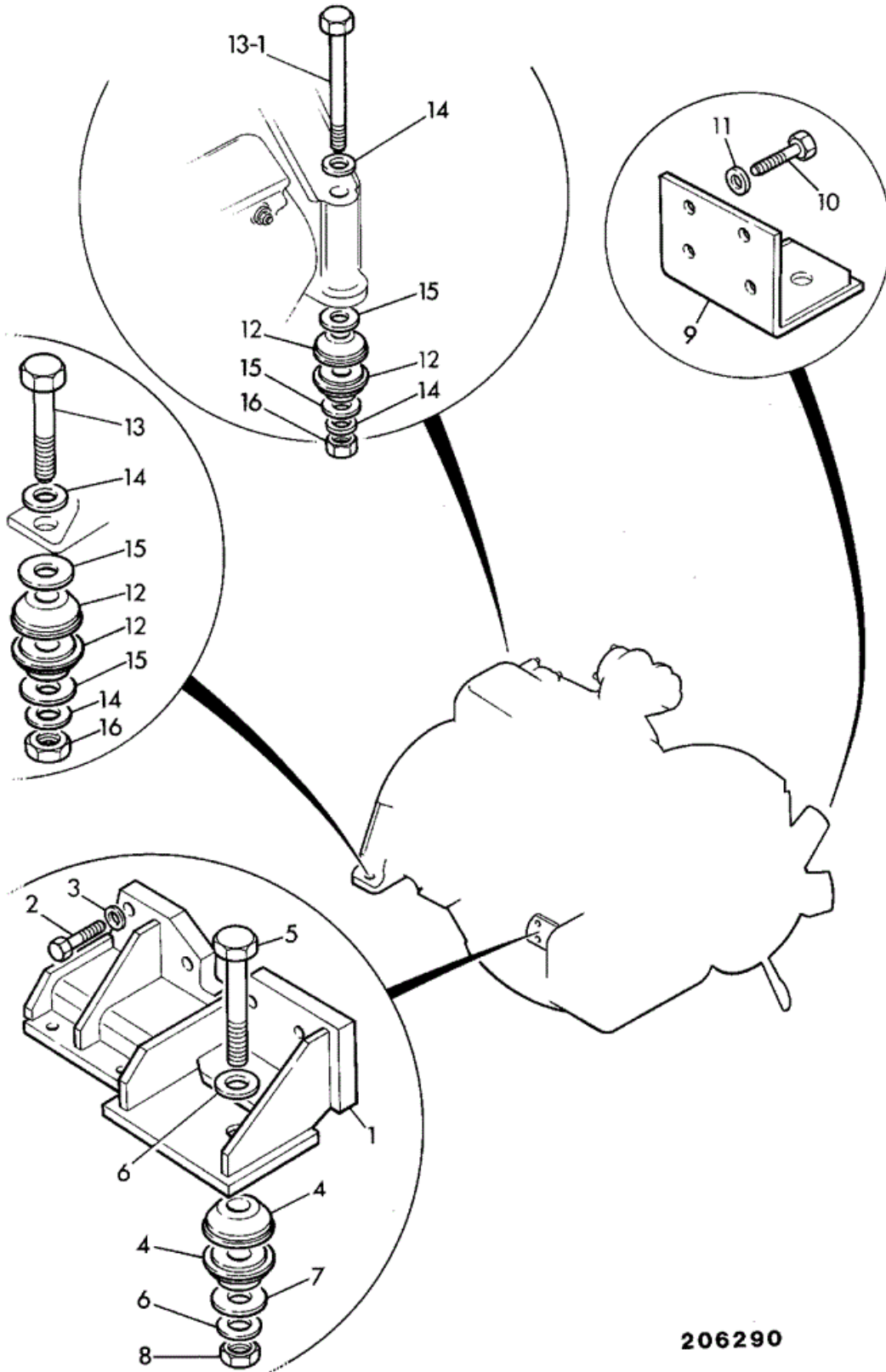


Item	Part #	Change No	Description	Usage Code	QTY
1-1	9113416333		Housing flywheel		1
2	9944112330		Stud		2
3	9910664450		Bolt		2
3	0108064500		Bolt		2
3	0108064650		Bolt		4
5	9091505140		Washer spring		6
8	1096253620		Seal oil, rear		1
15	9113491341		Cover timing		1
16	8970428010		Cover dust		1
17	0208006120		Bolt M6x12		3
18	9091505060		Washer spring		3
20	8944611810		Flywheel assembly		1
21	9081610280		Pin		2
22	5123330020	Superseded	Gear ring		1
22	02/801637		Gear ring		1

24	5123340030		Bolt L=36		6
25	5123360030		Plate clamping		1



# 9802/5750 L1-8-1 ENGINE MOUNTINGS

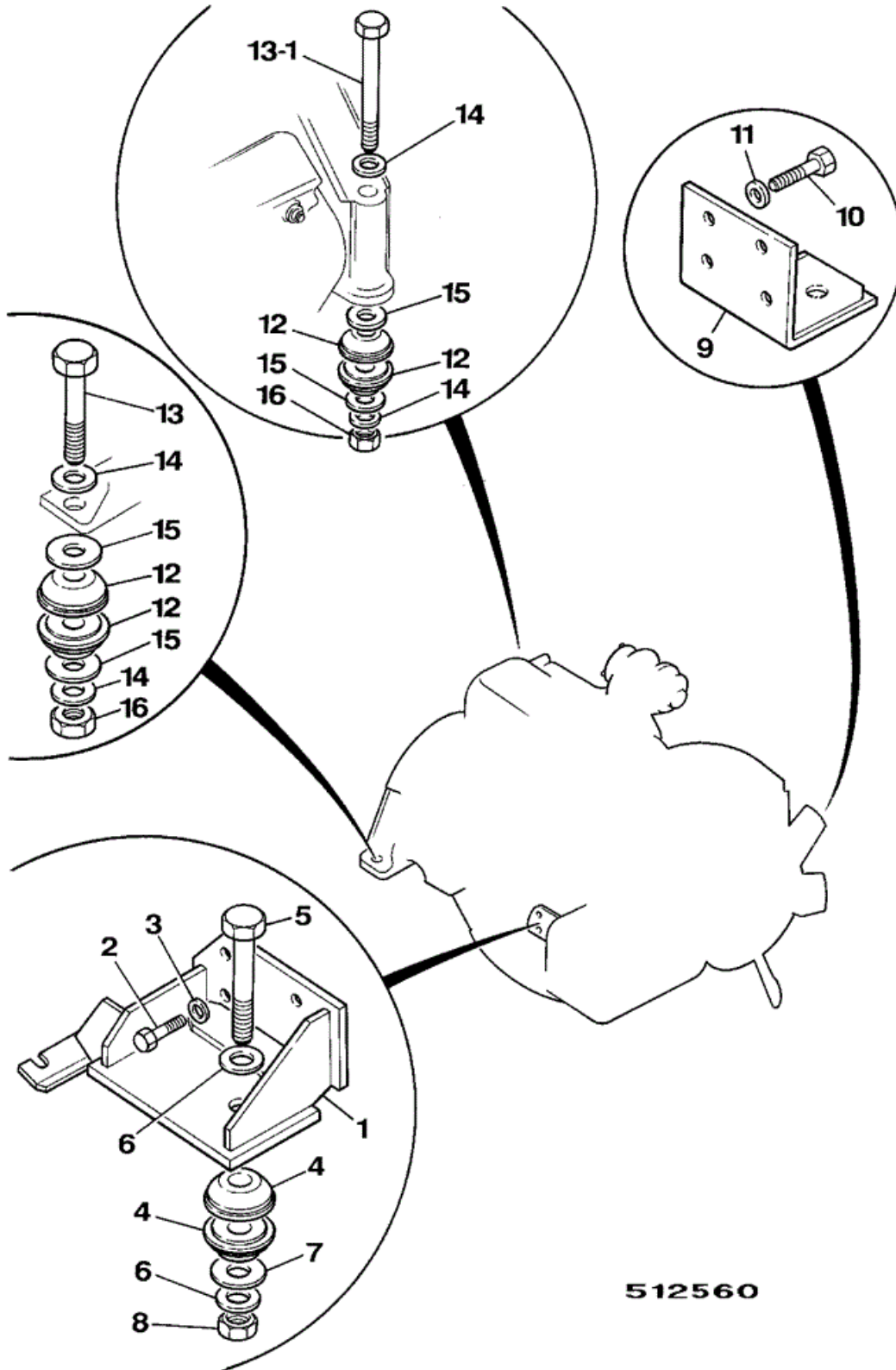


206290

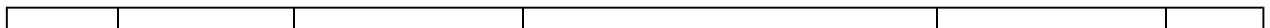
Item	Part #	Change No	Description	Usage Code	QTY
1	KNH0301		Bracket engine support		1
2	KNH0040		Bolt high strength		4
3	BRH0254	Superseded	Washer		4
3	JHP0045		Washer		4
4	KAH0393		Mounting rubber		4
5	1316/3721Z		Bolt		2
6	BHP0373	Superseded	Washer high strength		4
6	JHP0043		Washer M16		4
7	KSH0297		Plate		2
8	162R016VN	Superseded	Nut high strength		2
8	162R016VZ		Nut high strength		2
9	KRH0503		Bracket engine support		1
10	KEH0122		Bolt high strength		4
11	BRH0254	Superseded	Washer		4
11	JHP0045		Washer		4
12	KNH0142		Mounting rubber		4
13	1316/3724Z		Bolt		1
13-1	BCA0017	Superseded	Bolt high strength		1
13-1	1316/3731Z		Bolt M16 x 220		1
14	BHP0373	Superseded	Washer high strength		4
14	JHP0043		Washer M16		4
15	KSH0297		Plate		4
16	162R016VN	Superseded	Nut high strength		1
16	162R016VZ		Nut high strength		1



# 9802/5750 L1-8-2 ENGINE MOUNTINGS



512560



Thank you so much for reading.  
Please click the “Buy Now!”  
button below to download the  
complete manual.



After you pay.

You can download the most  
perfect and complete manual in  
the world immediately.

Our support email:

[ebooklibonline@outlook.com](mailto:ebooklibonline@outlook.com)