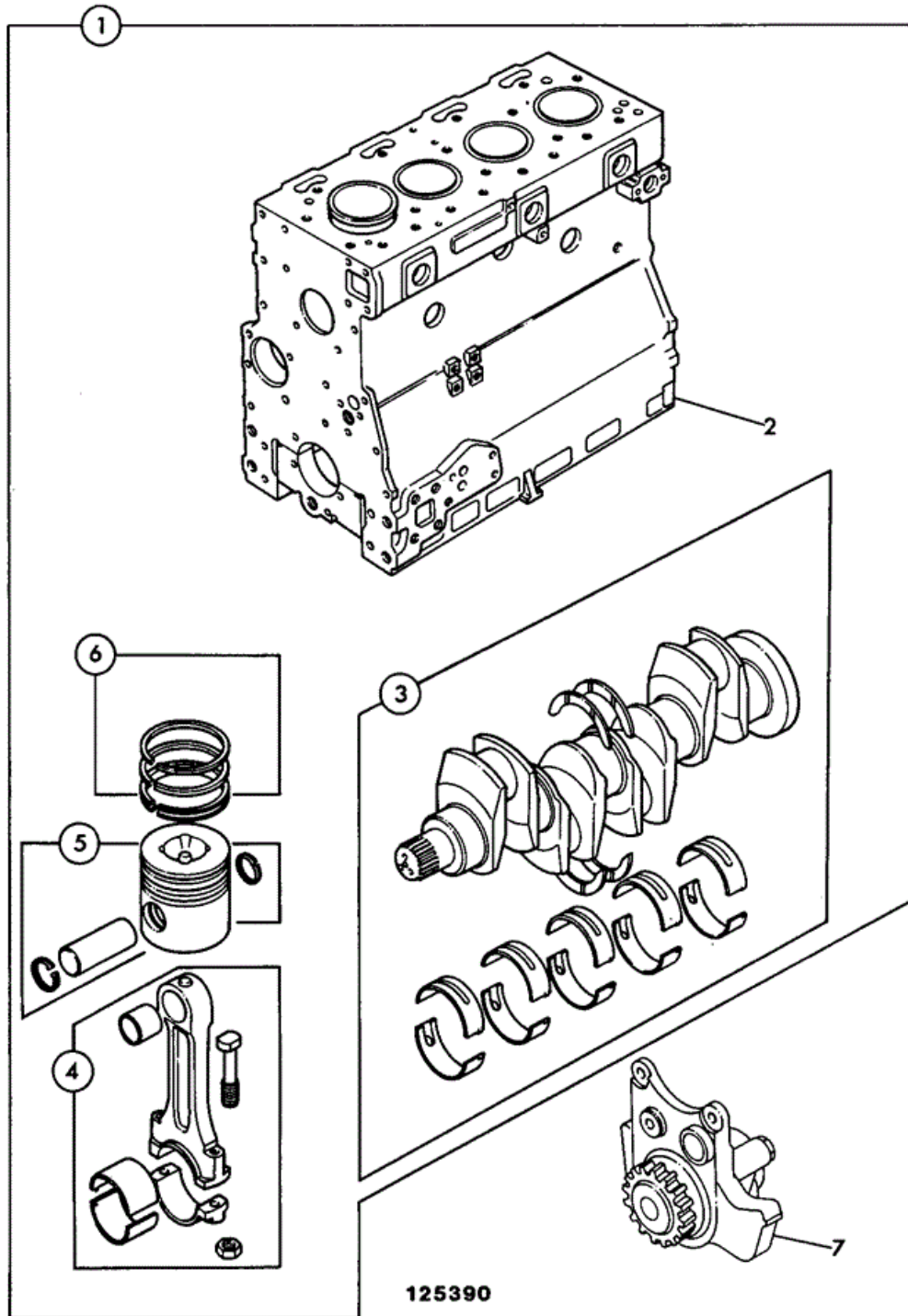


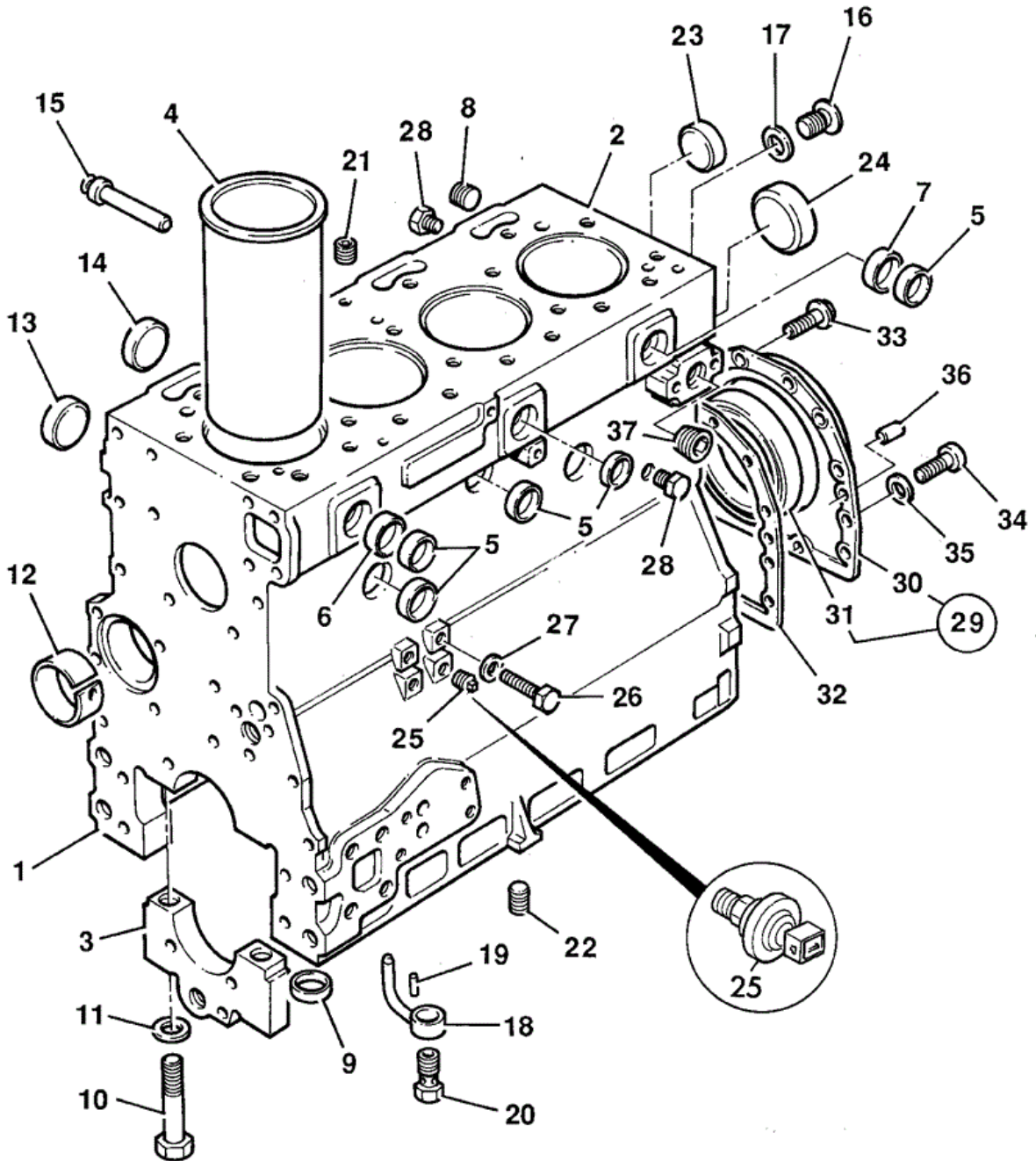
JCB 9802/5760 N1-2-1 ENGINE, SHORT AB BUILD



Item	Part #	Change No	Description	Usage Code	QTY
1	02/200445	Superseded	Engine short, turbo		1
1	02/202291		Engine short		1
2	****		'See Remark' <i>See frame N1-3-2, Block assembly</i>		1
3	****		'See Remark' <i>See frame N1-4-4, Crankshaft assembly</i>		1
4	****		'See Remark' <i>See frame N1-4-4, Con-rod assembly</i>		4
5	****		'See Remark' <i>See frame N1-4-4, Piston assembly</i>		4
6	****		'See Remark' <i>See frame N1-4-4, Piston ring kit</i>		4
7	****		'See Remark' <i>See frame N5-2-2, Oil pump</i>		1



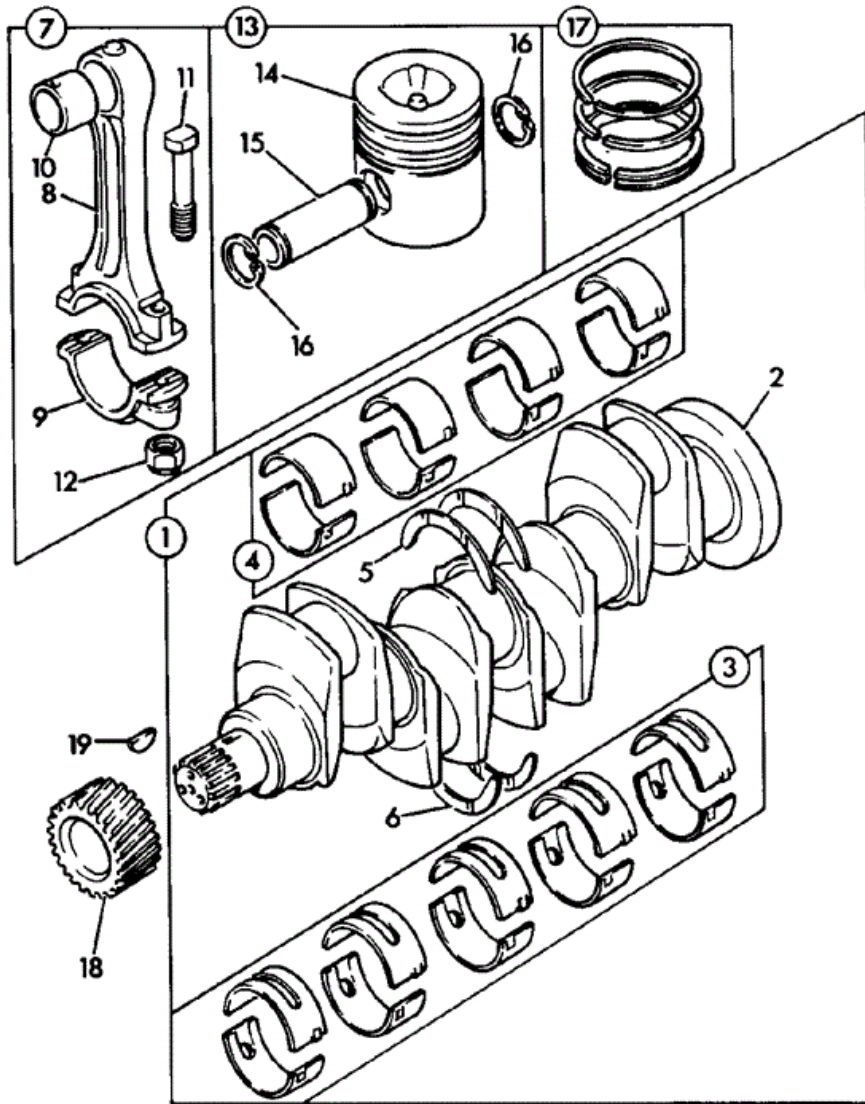
9802/5760 N1-3-1 BLOCK ASSEMBLY AB BUILD



235322

Item	Part #	Change No	Description	Usage Code	QTY
1	02/201735		Block cylinder		1
2	****		None serviced part		1

			<i>Block</i>	
3	****		None serviced part <i>Bearing Cap</i>	5
4	:02/200949		Liner cylinder, press fit	4
4	02/200002		Liner cylinder, slip fit	0
5	:02/100396		Plug core D=32mm	6
6	:02/201304		Plug	1
7	:02/200003		Plug core" D=26mm <i>Quantity was 2 off</i>	1
8	:02/100134		Plug	1
9	:02/100101		Thimble	10
10	:02/100102		Bolt	10
11	:02/100615		Washer	10
12	:02/192001	Superseded	Bush camshaft	1
12	:02/192094		Bush camshaft	1
13	:02/200454		Plug core D=38mm	4
14	:02/200454		Plug core D=38mm	2
15	:02/101827		Plug	1
16	:02/100111		Plug	1
17	:02/200828	Superseded	Washer	1
17	:02/202386		Washer	1
18	****		'See Remark' <i>See frame N5-3-1</i>	4
19	****		'See Remark' <i>See frame N5-3-1</i>	4
20	****		'See Remark' <i>See frame N5-3-1</i>	4
21	02/100108		Plug	1
22	02/100582		Plug core D=16mm	1
23	02/200454		Plug core D=38mm	4
24	02/100107	Superseded	Plug core D=50mm	1
24	02/201362		Plug core D=50mm	1
25	701/41500	Superseded	Switch oil pressure	1
25	701/80225		Switch oil pressure 1/8" NPTF,AMP	1
26	1315/0402Z		Setscrew	1
27	823/00273		Washer	1
28	02/100132		Plug drain <i>Water drain</i>	2
28	02/100335		Tap drain <i>Alternative</i>	0
29	02/200958		Housing rear seal	1
30	****		'See Remark' <i>Cover</i>	1
31	:02/101436		Seal rear oil	1
32	02/201092		Gasket rear seal housing	1
33	826/00869		Screw flange head	12
34	02/291185		Capscrew	2
35	02/100307		Washer	2
36	02/100308		Dowel	2



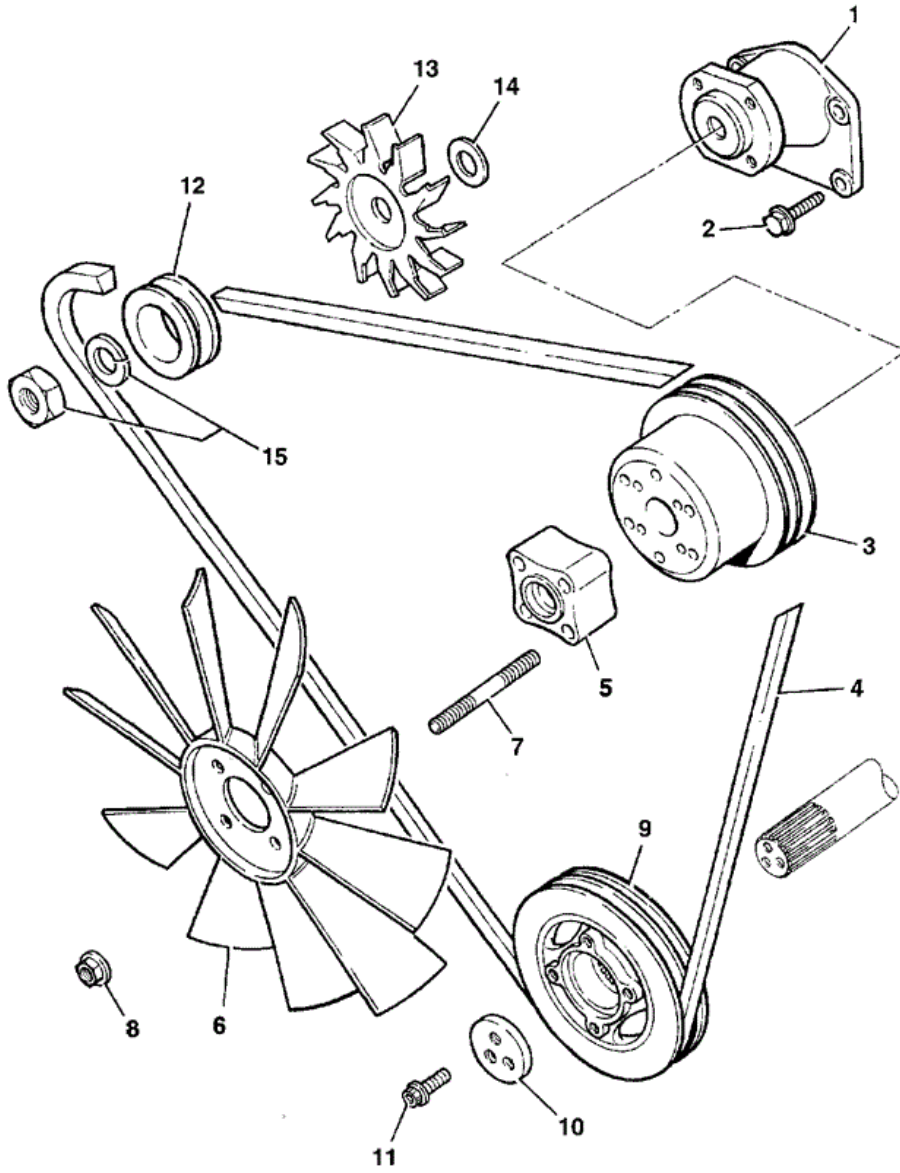
095660

Item	Part #	Change No	Description	Usage Code	QTY
1	02/200915	Superseded	Crankshaft assembly		1
1	02/202196		Crankshaft assembly		1
2	****		None serviced part <i>Crankshaft</i>		1
3	:02/192002		Kit-bearing Main Standard		1
3	02/192003		Kit-bearing Main Undersize - .010inch		1

3	02/192004		Kit-bearing Main Undersize - .020inch	1
3	02/192005		Kit-bearing Main Undersize - .030inch	1
4	:02/192085		Kit-bearing 4 Pairs Standard	1
4	02/192086		Kit-bearing 4 Pairs Undersize - .010inch	1
4	02/192087		Kit-bearing 4 Pairs Undersize - 0.20inch	1
4	02/192088		Kit-bearing 4 Pairs Undersize - 0.30inch	1
5	:02/192083		Washer thrust top - standard	2
5	02/192011		Washer thrust top-oversize 0.19mm	2
6	:02/192084		Washer thrust bottom - standard	2
6	02/192013		Washer thrust btm-oversize 0.19mm	2
7	02/101632	Superseded	Rod assembly connecting	4
7	02/102291		Rod connecting	4
8	****		None serviced part <i>Con-rod</i>	1
9	****		None serviced part <i>Cap</i>	1
10	:02/192019		Bush small end	1
11	:02/291072		Bolt	2
12	:02/100128		Nut	2
13	02/200860		Piston assembly	4
14	****		None serviced part <i>Piston</i>	1
15	****		None serviced part <i>Gudgeon pin</i>	1
16	:02/100129	Superseded	Circlip	2
16	:02/100517		Circlip	2
17	02/201140		Kit-piston ring	4
18	02/290001		Gear	1
19	02/100038		Key	1



9802/5760 N1-5-1 FANS, PULLEYS & FAN BELT AB BUILD

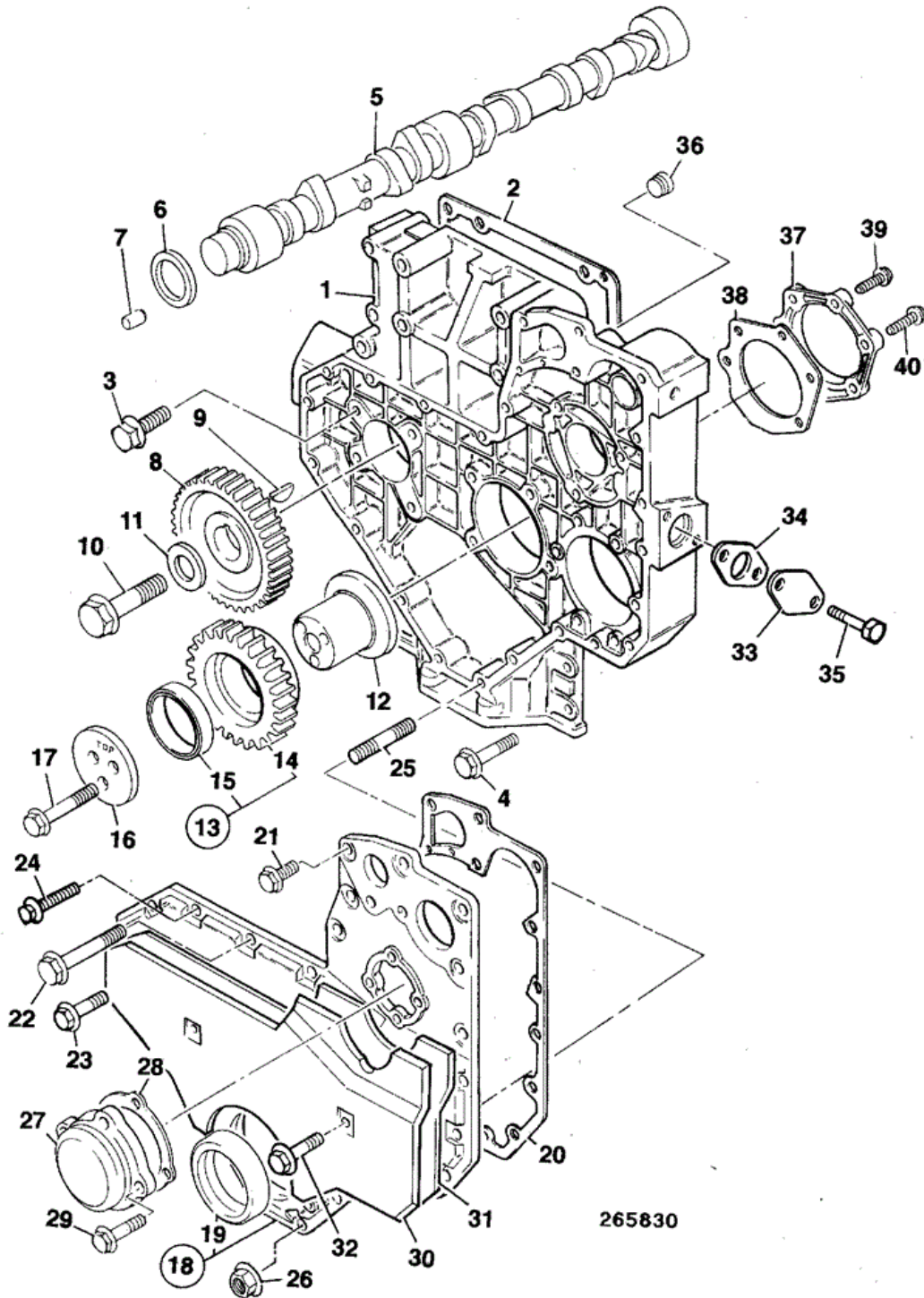


286830

Item	Part #	Change No	Description	Usage Code	QTY
1	02/200370		Housing assembly, fan drive		1
2	02/291041		Bolt		4

3	02/200224		Pulley fan drive	1
4	02/100201		Belt fan, pair	1
5	02/100956		Spacer fan 38mm	1
6	02/201737		Fan cooling	1
7	02/291203		Stud	4
7	1370/0203Z		Nut Nut M8	4
8	1370/0203Z		Nut Nut M8	4
9	02/200018		Pulley crankshaft twin groove	1
10	02/200017		Block Thrust	1
11	02/100573	Superseded	Bolt	3
11	02/100102		Bolt	3
12	02/201553		Pulley alternator	1
13	714/34114		Fan alternator	1
14	714/34115		Spacer fan	1
15	714/26021		Kit-sundry parts	1

JCB 9802/5760 N1-6-1 TIMING CASE CAMSHAFT & GEARS AB
BUILD

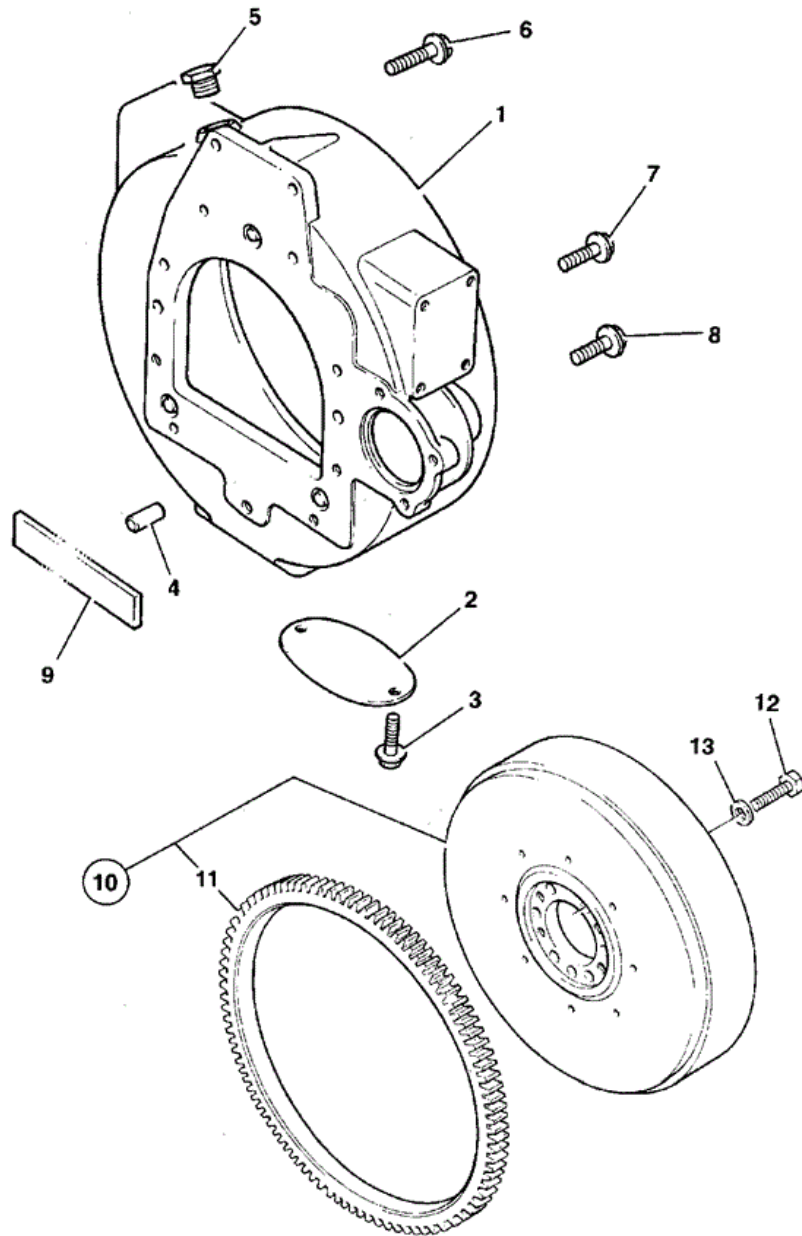


Item	Part #	Change No	Description	Usage Code	QTY
1	02/200830	Superseded	Case timing		1

1	02/201787		Casing timing		1
2	02/200022	Superseded	Gasket t/case to block		1
2	02/202326		Gasket t/case to block		1
3	826/00869		Screw flange head		8
4	02/291033		Bolt		4
5	02/201303		Camshaft		1
6	02/192064		Washer thrust		1
7	2102/0604		Dowel		1
8	02/190034		Gear camshaft		1
9	02/100038		Key		1
10	02/291196		Screw		1
11	02/291065		Washer		1
12	02/100041		Hub		1
13	02/190033		Gear idler assembly		1
14	****		None serviced part		1
15	:02/192016		Bush		1
16	02/201288		Plate		1
17	02/291073		Screw		3
18	02/200194	Superseded	Cover timing		1
18	02/202090		Cover timing		1
19	02/101435		Seal front oil		1
20	02/200728	Superseded	Gasket timing cover		1
20	02/202452		Kit-gasket		1
21	02/291026		Bolt		6
22	02/291018		Bolt		6
23	02/291017		Screw		1
25	02/291052		Stud		2
26	02/291058		Nut flanged M8		2
27	02/200028	Superseded	Cover inspection		1
27	02/202121		Cover inspection		1
28	02/200029	Superseded	Gasket inspection cover		1
28	02/200977		Gasket		1
29	02/291014		Bolt		4
30	02/200030		Guard		1
31	02/200031		Damper		4
32	02/291010		Bolt		2
33	02/200313		Plate blanking		1
34	02/201255		Gasket		1
35	826/00869		Screw flange head		2
36	02/100409		Plug taper threaded		1
37	02/201556		Plate cover		1
38	02/200035	Superseded	Gasket		1
38	02/201137		Gasket		1
39	02/291031		Bolt		5
40	826/00901		Screw		1



9802/5760 N1-7-1 FLYWHEEL & HOUSING AB BUILD



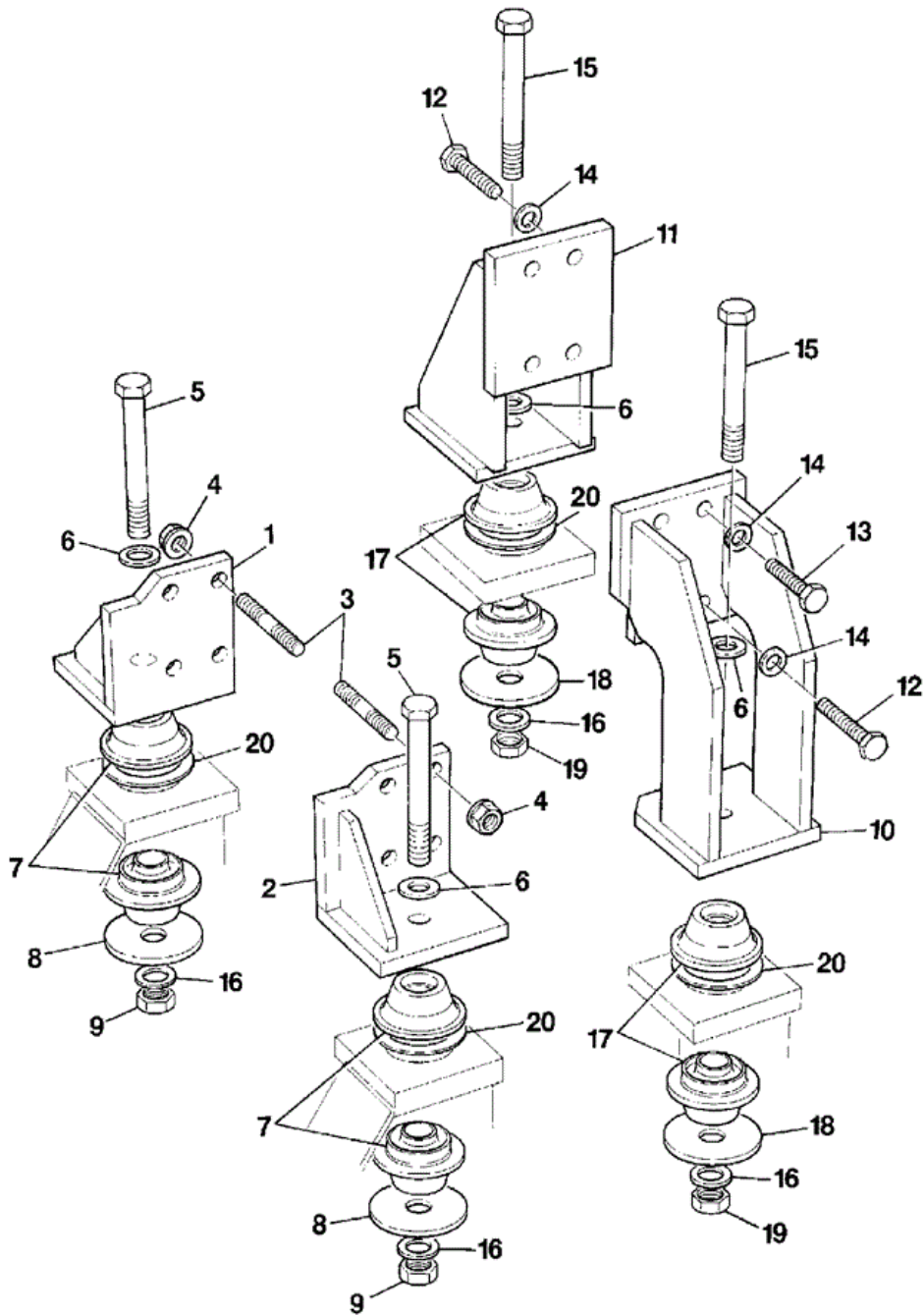
287620

Item	Part #	Change No	Description	Usage Code	QTY
1	02/201713		Housing flywheel		1
2	02/200042		Plate Cover		1

3	02/291009		Bolt	2
4	02/100361		Dowel	2
5	02/200043		Plug	1
6	02/291047		Bolt	2
7	02/291188		Screw	6
8	02/291034		Bolt	3
9	02/101282		Seal felt	1
10	02/201736		Flywheel assembly	1
11	:02/100540		Gear starter ring	1
12	1305/3410		Bolt	6
13	02/200725		Washer	6



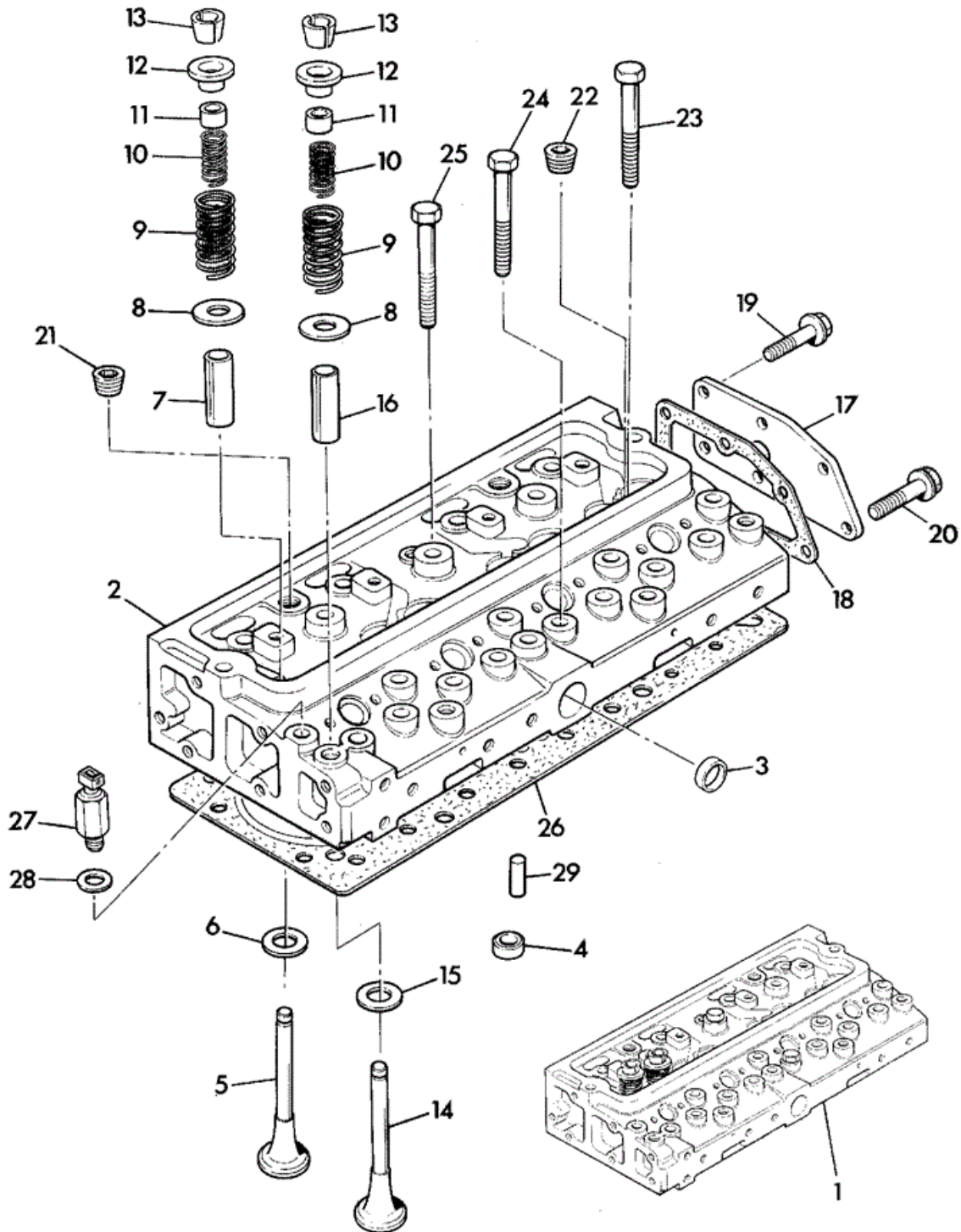
9802/5760 N1-8-1 ENGINE MOUNTINGS



Item	Part #	Change No	Description	Usage Code	QTY
1	JNH0052		Bracket engine mounting <i>Fan end, OUTBOARD</i>		1

2	JNH0053	Bracket engine mounting <i>Fan end, INBOARD</i>	1
3	02/291124	Stud	8
4	02/291060	Nut	8
5	1316/3723Z	Bolt	2
6	JHP0043	Washer M16	4
7	KNH0528	Mounting metalastik	4
8	KNH0589	Plate	2
9	1371/0603Z	Nut Lock (M16 G12).	2
10	JNH0066	Bracket engine mounting left hand rear <i>Flywheel end, OUTBOARD</i>	1
11	JNH0065	Bracket engine mounting <i>Flywheel end, INBOARD</i>	1
12	1316/3509Z	Bolt M12x35	6
13	1316/3511Z	Bolt	2
14	JHP0042	Washer M12	8
15	1370/0403Z	Nut Lock, M12	2
15	1316/3723Z	Bolt	2
16	JHP0043	Washer M16	4
17	KRH0781	Mounting metalastik	4
18	KNH0589	Plate	2
19	1371/0603Z	Nut Lock (M16 G12).	2

JCB 9802/5760 N2-1-1 CYLINDER HEAD AB BUILD



Thank you so much for reading.
Please click the “Buy Now!”
button below to download the
complete manual.



After you pay.

You can download the most
perfect and complete manual in
the world immediately.

Our support email:

ebooklibonline@outlook.com