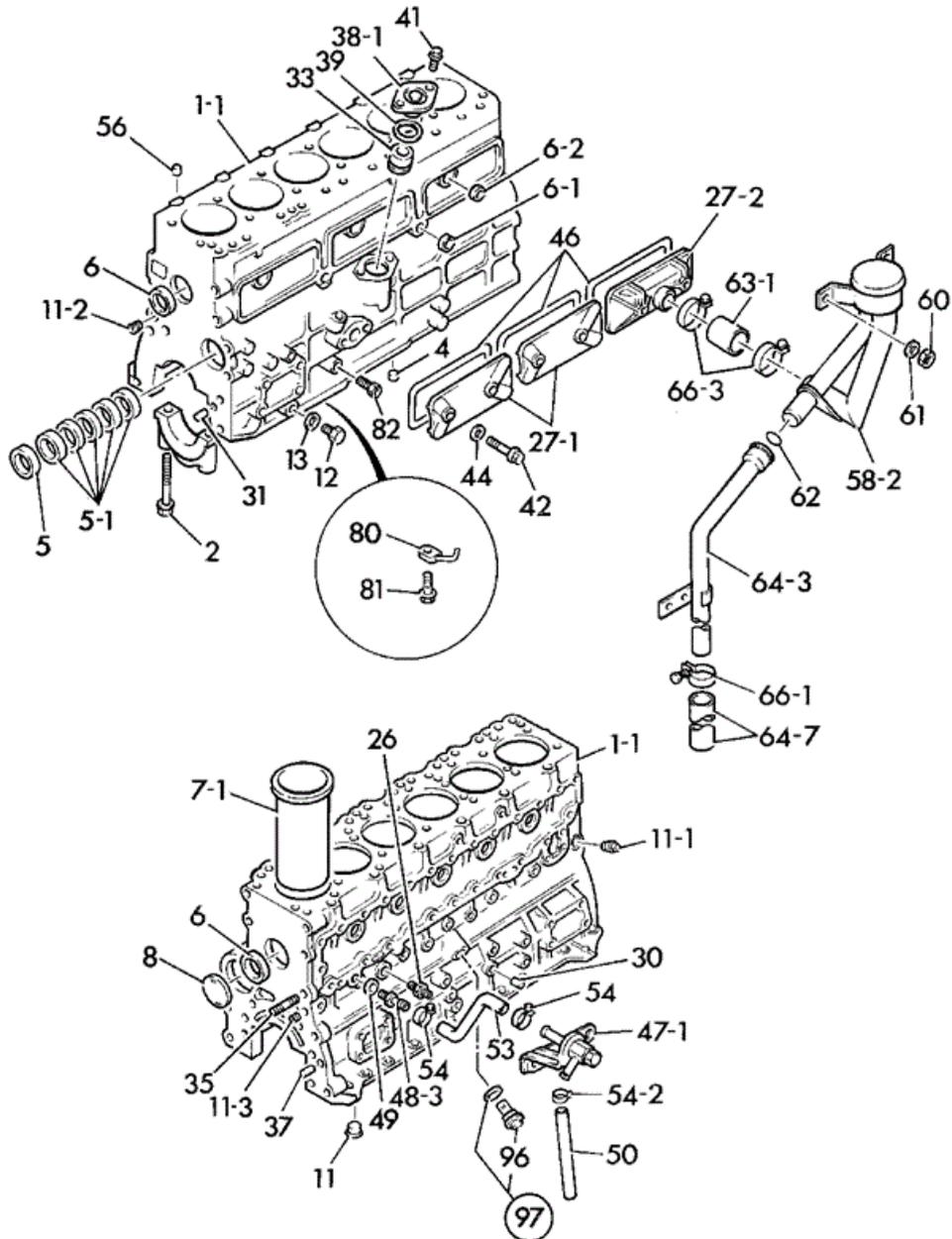




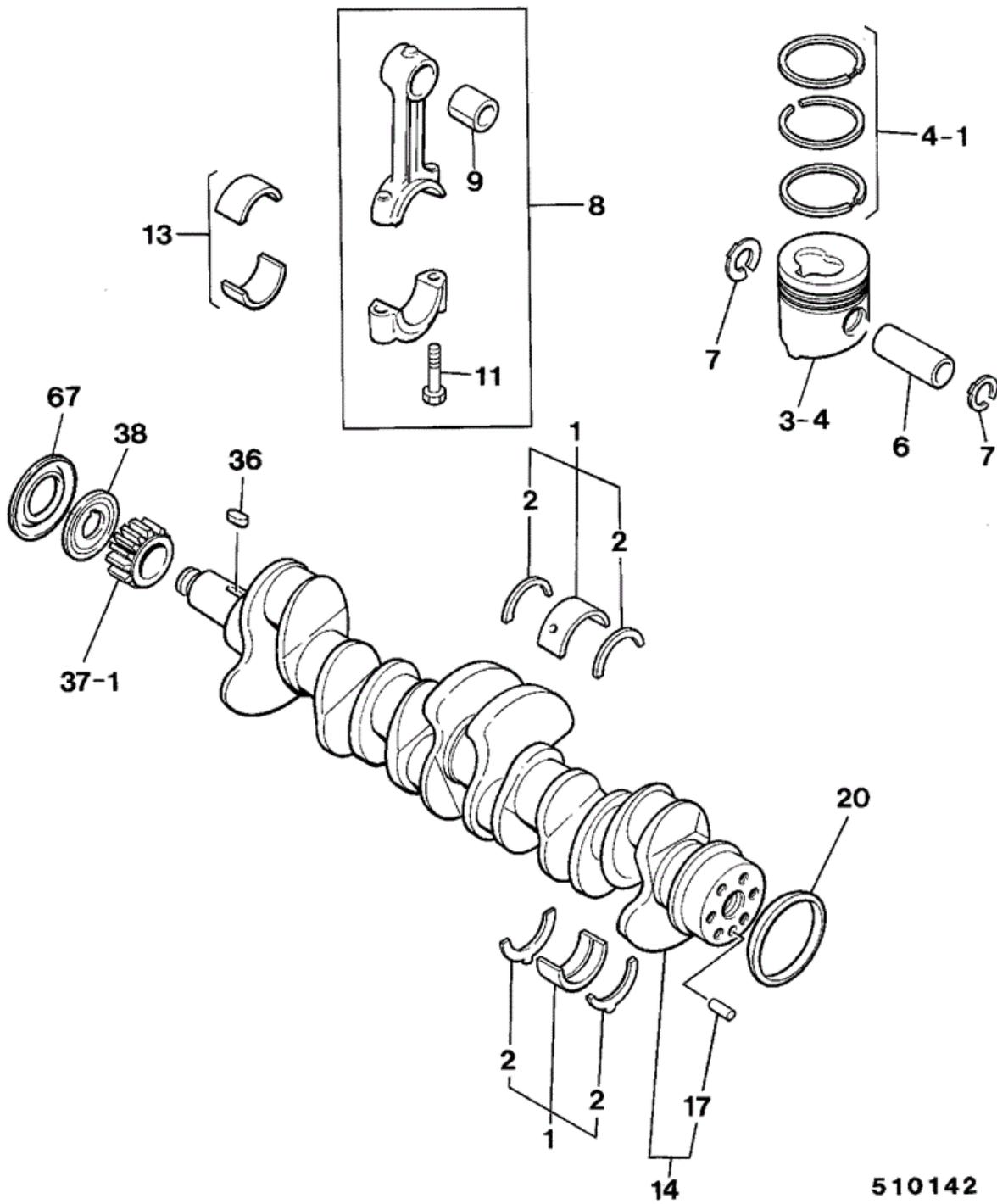
9802/5810 K1-3-2 BLOCK ASSEMBLY



511591

Item	Part #	Change No	Description	Usage Code	QTY
1-1	1112104436	Superseded	Block cylinder assembly		1
1-1	02/801540		Block cylinder, assembly		1
2	:1090004691	Superseded	Bolt		14
2	:02/801541		Bolt		14
4	:02/800012		Dowel <i>Bearing cap</i>		1
5	:9116110480		Bearing camshaft, front		1
5-1	:9116130350	Superseded	Bearing camshaft inter & rear		5
5-1	:9116930350		Bearing centre & rear		5
6	:1096000520		Plug d=60		2
6-1	:5112190140		Plug d=28		2
6-2	:1096000121		Plug tappet chamber, D=32		3
7-1	:1112611190	Superseded	Liner cylinder		6
7-1	:02/800693		Liner cylinder, grade (CX) 107.021/107.030		6
8	9098600190		Plug		1
11	1096050660		Plug D=3/8"		1
11-1	5096050180		Plug D=1/8"		12
11-2	1096050681		Plug		1
11-3	1096050681		Plug		1
12	9992023140		Plug		1
13	9095714140		Washer seal		1
27-1	02/800005		Cover tappet		2
27-2	02/800293		Cover tappet		1
31	02/800013		Pin D=10 X L=50		1
33	9112246021		Bush oil pump drive shaft		1
35	5093000231		Stud		1
37	9081510180		Pin D=10 x L=18		2
38-1	1112191291		Cover oil pump		1
39	1096234650		O Ring		1
41	0501408220		Bolt		2
42	1090520221		Bolt L=84		2
42	8943675301		Bolt		4
44	9095720080		Washer seal		6
46	02/800295		Gasket tappet cover		3
47	1096800240		Tap water drain		1
48-3	1096660360		Connector		1
49	1096301150		Washer seal		1
50	9099148600	Superseded	Pipe l=510		1
50	02/800619		Pipe oil drain		1
53	02/800619		Pipe oil drain		1
54-2	8970157540		Clip hose		1
56	8941480790		Dowel D=16		2
58-2	02/800421		Breather engine oil		1
60	9091105080		Nut		2
61	9091505080		Washer spring		2
62	****		'See Remark' <i>Not fitted</i>		1
63-1	1093604390		Hose breather-cover		1
64-3	02/800422		Pipe drain		1
64-7	9097130740	Superseded	Hose drain		1
64-7	02/800061		Tube		1

66-1	9099156661		Clip hose		1
66-3	02/800301		Clip		2
82	1096601010		Connector		1
96	8970233390		Valve oil relief, assembly		1
97	:5096230350		O Ring		1



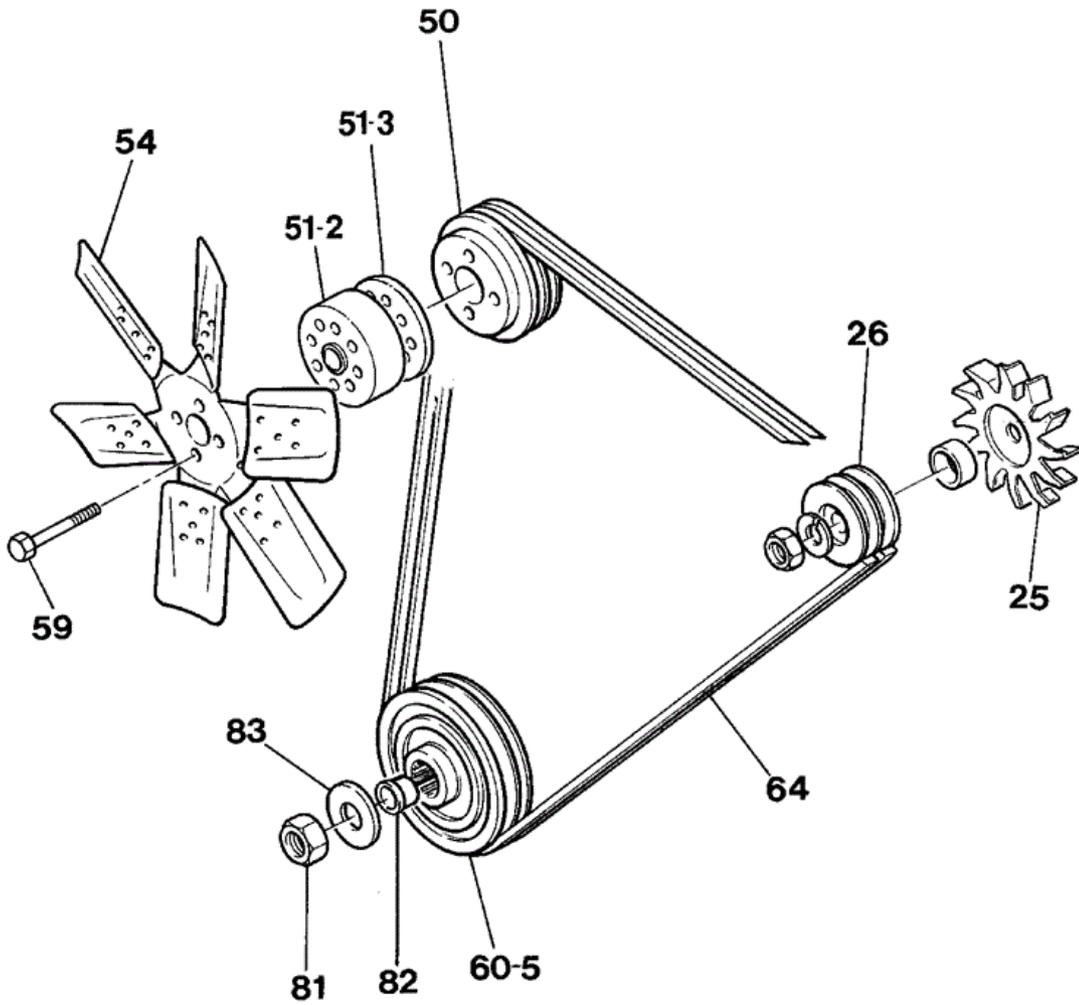
510142

Item	Part #	Change No	Description	Usage Code	QTY
1	1115100741	Superseded	Kit-main bearing standard		1
1	02/801514		Kit-main bearing standard		1
2	:1116800012	Superseded	Kit-thrust washer standard		2
2	:02/801515		Kit-thrust washer standard		2
3-4	02/800423	Superseded	Piston standard		6

3-4	02/800688		Piston assembly, grade (AX)	6
4-1	02/800304		Kit-piston ring standard	6
6	02/800305		Pin gudgeon	6
7	8941075750	Superseded	Ring snap	12
7	02/801519		Ring snap,piston pin	12
8	02/800310		Rod connecting, assembly	6
9	:02/800306		Bush small end	6
11	:1122350271		Bolt	12
13	9122716080		Kit-big end Standard	6
14	1123104700		Crankshaft assembly	1
17	:9081512200		Pin	1
20	5123190032		Ring wear	1
36	5097380010		Key	1
37-1	1125210080		Gear crankshaft	1
38	1123620031		Flinger oil	1
67	5123620031		Seal dust, thrower	1



9802/5810 K1-5-2 FANS, PULLEYS & FAN BELT



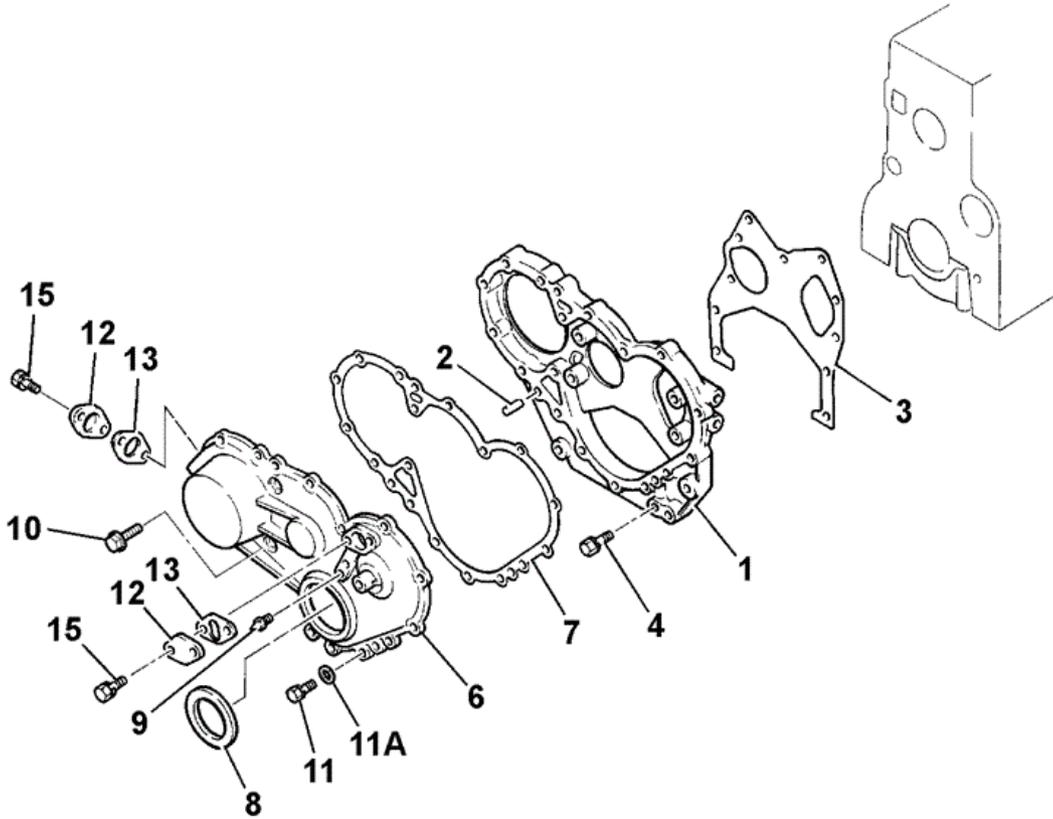
512273

Item	Part #	Change No	Description	Usage Code	QTY
25	1812230050		Fan alternator		1
26	1812220890	Superseded	Pulley alternator		1
26	714/25101		Pulley alternator twin groove		1

50	02/800424		Pulley water pump	1
51-2	9136426051		Spacer fan, T=61.5	1
52	9034906100		Screw	2
54	02/800426		Fan cooling	1
59	02/800427		Bolt	4
60-5	1123712480		Pulley crankshaft	1
64	1136712260	Superseded	Belt fan, pair	1
64	02/800774		Belt fan, pair L=1246mm	1
81	9098401071		Nut	1
82	9123790450	Superseded	Bush	1
82	02/801586		Bush	1
83	9098514310		Washer	1



9802/5810 K1-6-11 TIMING CASE

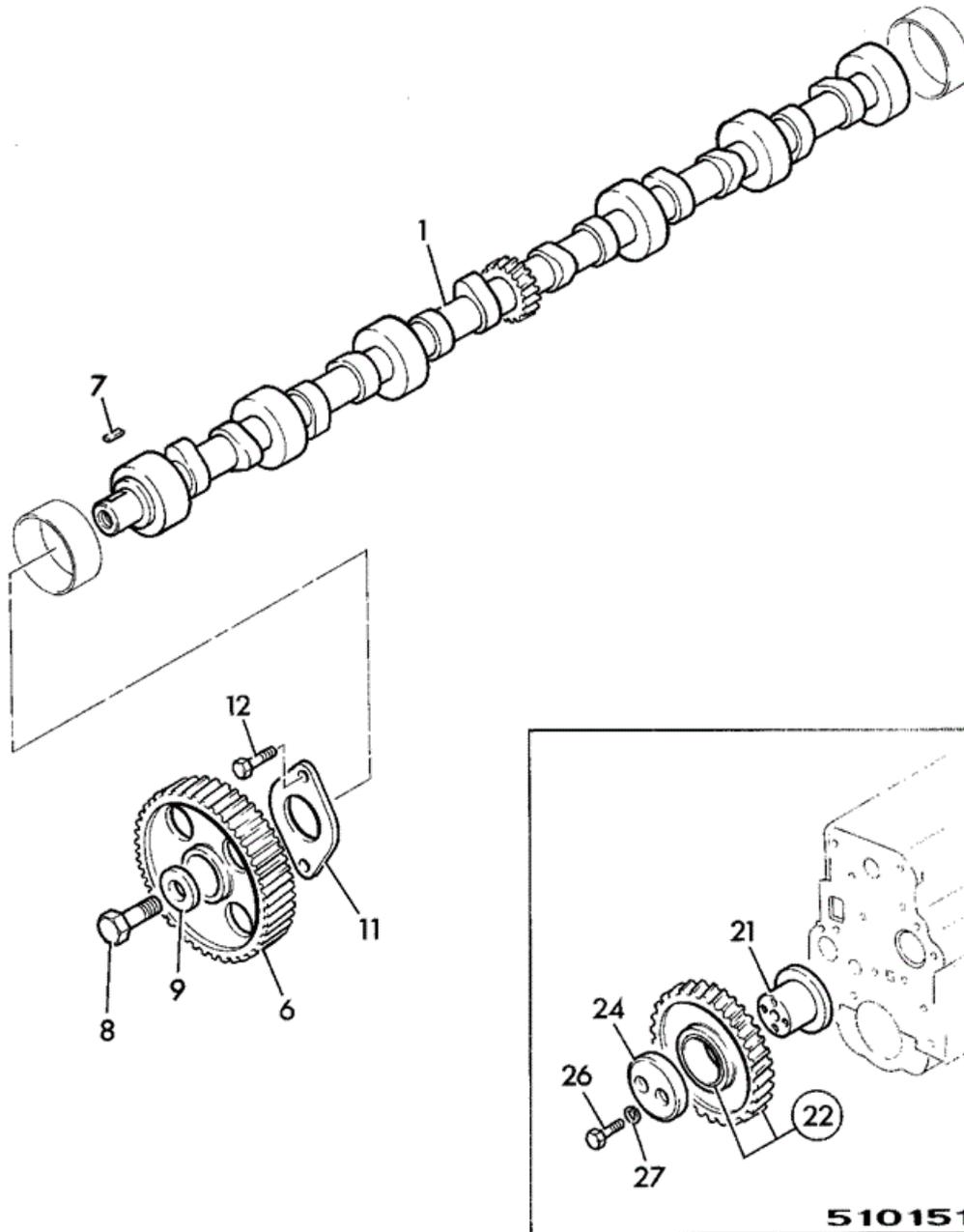


511842

Item	Part #	Change No	Description	Usage Code	QTY
1	5113110113		Casing timing		1
2	9081510180		Pin D=10 x L=18		1
3	02/800322		Gasket timing case		1

4	0500408450	<APR 1997	Bolt		2
4	02/800915	>MAY 1997	Bolt flange head M8 X 45mm		2
4	0500408200	<APR 1997	Bolt		4
4	02/800493	>MAY 1997	Bolt flange head M8 x 20		4
6	1113210790		Cover timing		1
7	02/800429	<DEC 2000	Gasket timing cover		1
7	02/801527	>JAN 2001	Gasket timing cover		1
8	1096254380		Seal oil, front		1
9	5113270090		Pointer timing		1
10	0501408250	<APR 1997	Bolt		7
10	02/800496	>MAY 1997	Bolt		7
11	5090000841	<APR 1997	Bolt L=55		5
11	02/801303	>MAY 1997	Bolt flange head M8 x 50		5
11A	9091605080		Washer plain		5
12	02/800254		Cover inspection		2
13	02/800430		Gasket inspection cover		2
15	0500406140	<APR 1997	Bolt		4
15	0280806120	>MAY1997	Bolt flange head M6 x 12		4

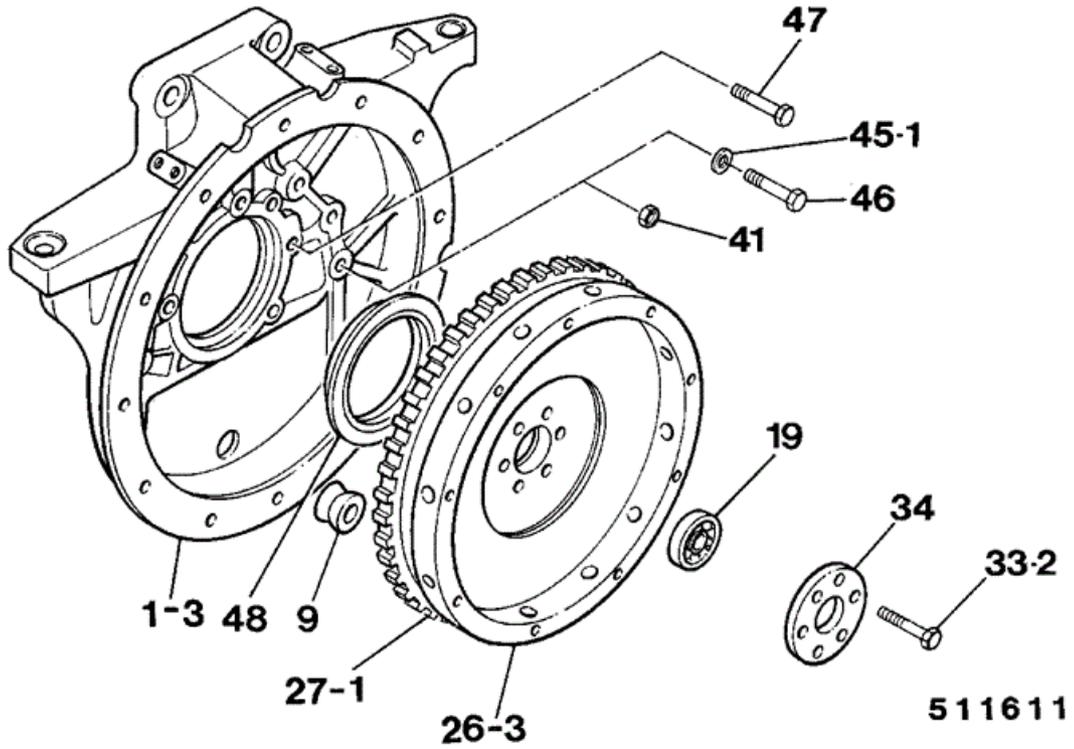
JCB 9802/5810 K1-6-12 CAMSHAFT & GEARS



Item	Part #	Change No	Description	Usage Code	QTY
1	02/800431		Camshaft		1
6	1125220161	Superseded	Gear camshaft		1
6	02/801528		Gear camshaft		1
7	9080307130		Key		1
8	9920614280		Bolt		1
9	02/800009		Washer cam		1
11	9116810150		Plate thrust		1
12	0500408250		Bolt		2
21	9125310300		Hub idler gear		1
22	1125230573		Gear idler		1
24	5125350011		Collar thrust		1
26	0108110550		Bolt		2
27	9091505100		Washer spring		2



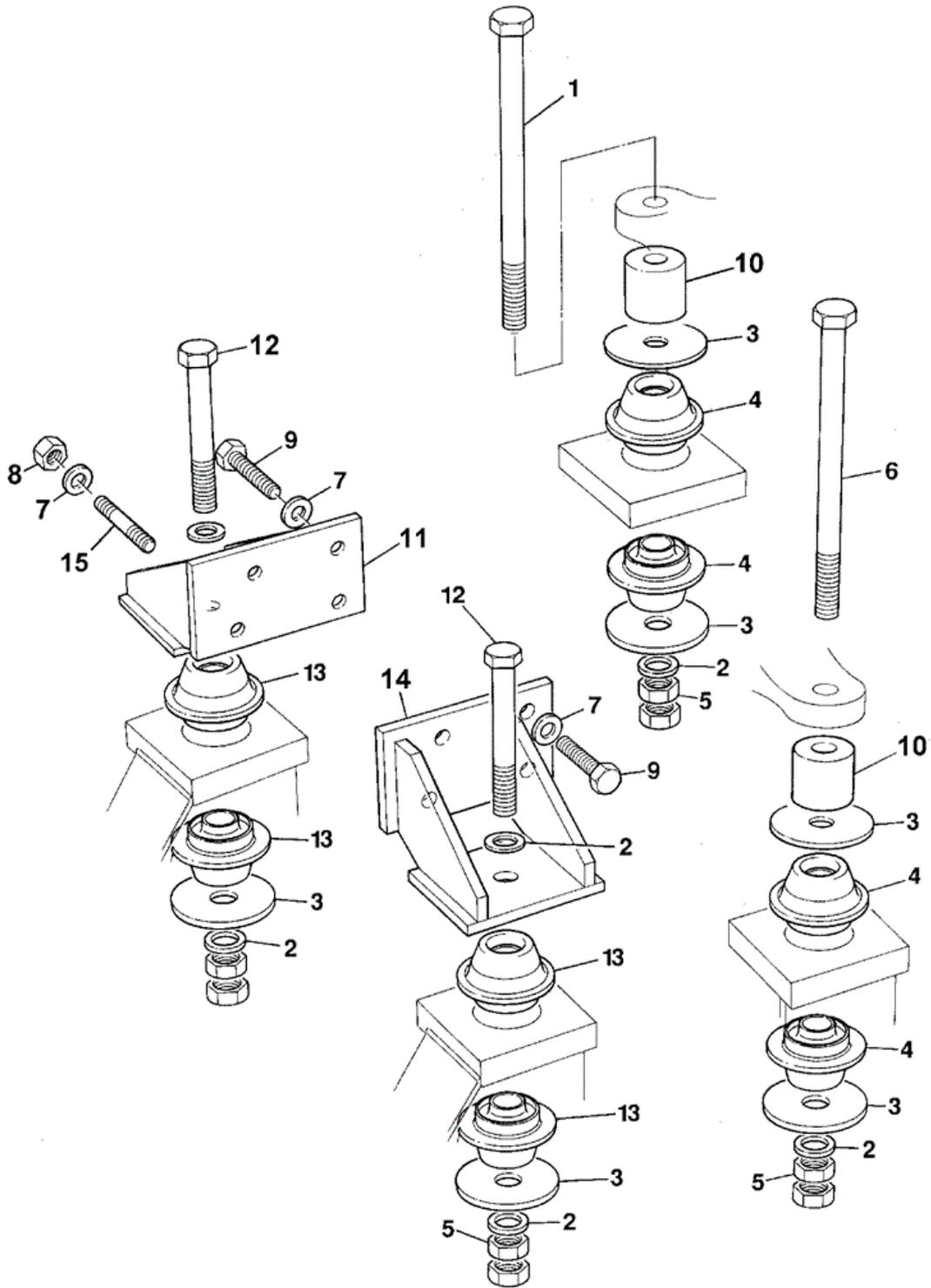
9802/5810 K1-7-2 FLYWHEEL & HOUSING



Item	Part #	Change No	Description	Usage Code	QTY
1-3	02/800432	<FEB.2000	Housing flywheel		1
1-3	02/801521	>MAR.2000	Housing flywheel		1
8-1	9944112350		Stud M12 x 35 L=53		3
9	****		'See Remark' <i>Not used</i>		1
19	****		'See Remark' <i>Not used</i>		1
26-3	02/800433	<MAR.2002	Flywheel assembly		1
26-3	02/801725	>APR.2002	Flywheel Flywheel assembly		1
27-1	:1123330170	<MAR.2002	Gear ring		1
27-1	02/801726	>APR.2002	Gear flywheel ring		1
33-2	9920616380		Bolt		6
34	5123360081		Washer		1
41	0500408250		Bolt		7
45-1	9910664500		Bolt		5
45-1	9910664650		Bolt		2
46	9991104140		Nut		1
47	9096510690		Washer plain		8
48	1096254391	<SEPT.2000	Seal oil, rear		1
48	02/801525	>OCT.2000	Seal oil, rear		1



9802/5810 K1-8-2 ENGINE MOUNTINGS



261591

Item	Part #	Change No	Description	Usage Code	QTY
1	1316/3731Z		Bolt M16 x 220		1
2	JHP0043		Washer M16		6
3	KNH0589		Plate		6

4	KRH0780		Mounting metalastik <i>Colour coded blue</i>	1
5	162R016VZ		Nut high strength	8
6	1316/3731Z		Bolt M16 x 220	1
7	JHP0046		Washer M10	8
8	C4E7863		Nut High Strength	1
9	KEH0122		Bolt high strength	7
10	KRH0479		Spacer	2
11	KNH0527		Bracket engine mounting	1
12	1316/3724Z		Bolt	2
13	KRH0781		Mounting metalastik <i>Colour coded yellow</i>	4
14	KNH0586		Bracket engine mounting	1
15	1093000550		Stud L1=45	1

Thank you so much for reading.
Please click the “Buy Now!”
button below to download the
complete manual.



After you pay.

You can download the most
perfect and complete manual in
the world immediately.

Our support email:

ebooklibonline@outlook.com