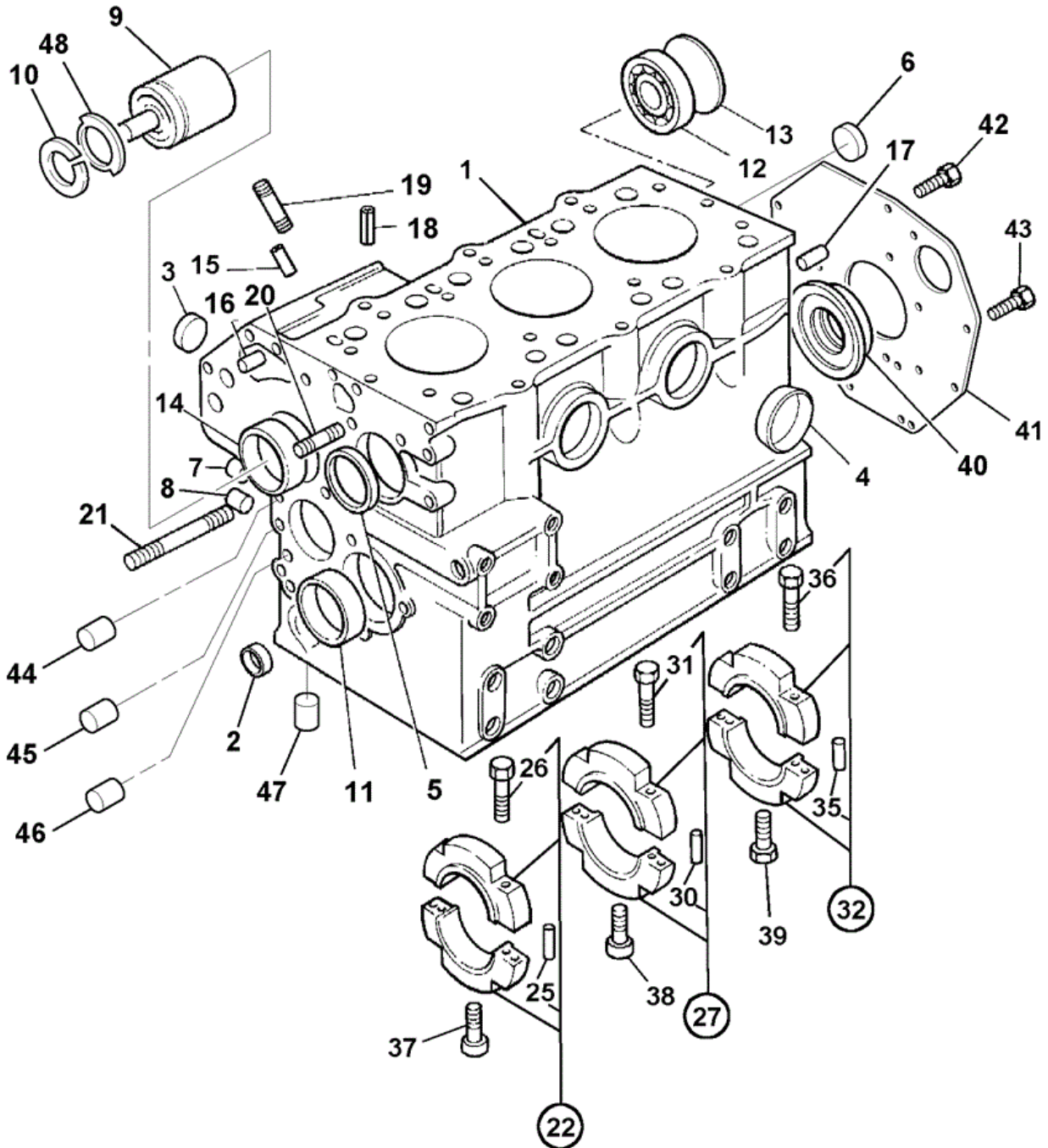




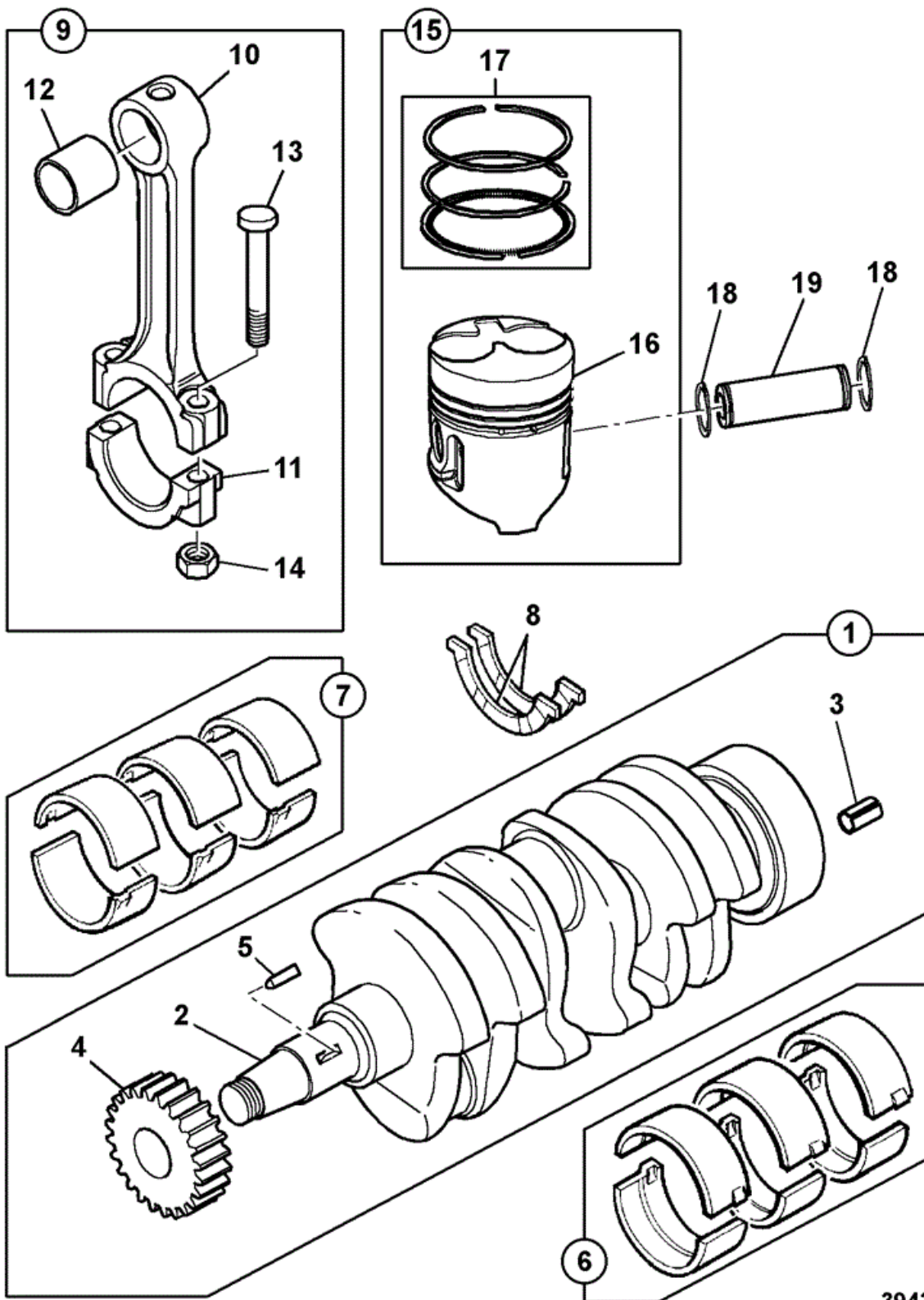
9802/6310 N1-3-1 ENGINE BLOCK



930170

Item	Part #	Change No	Description	Usage Code	QTY
1	****		None serviced part		1
2	02/630933		Plug D=18mm		1
3	02/634206		Plug core D=25mm		1

4	02/630934		Plug D=35mm	2
5	02/634207		Plug core D=40mm	1
6	02/634207		Plug core D=40mm	1
7	02/630007		Plug 8.4mm	3
8	02/630456		Plug D=40mm	4
9	02/630008		Hub	1
10	02/630030		Circlip	1
11	02/634805		Bush .	1
11	02/634806		Bush -0.25mm	1
12	02/630013		Bearing	1
13	02/630014		Plug core D=45mm	1
14	02/630015		Bearing	1
15	02/630016		Dowel	2
16	02/630017		Dowel	2
17	02/630018		Dowel	2
18	02/630019		Pin	2
19	826/10775		Stud	2
20	826/10720		Stud	1
21	02/630022		Stud	1
22	02/630548		Cap bearing assembly	1
25	:02/630024		Dowel	2
26	:02/630025		Screw	2
27	02/630549		Cap cap bearing	1
30	:02/630024		Dowel	1
31	:02/630025		Screw	2
32	02/630564		Cap cap bearing	1
35	:02/630024		Dowel	2
36	:02/630567		Bolt	2
37	02/630532		Bolt caphead	1
38	02/630532		Bolt caphead	1
39	02/630029		Screw	2
40	02/634002		Bearing needle	1
41	02/630366		Plate flywheel backplate	1
42	826/10776		Screw	8
43	02/634112		Screw	2
44	02/630007		Plug 8.4mm	1
45	02/630005		Plug D=5.4mm	1
46	02/630456		Plug D=40mm	1
47	02/630007		Plug 8.4mm	1
48	02/630222		Washer thrust	1



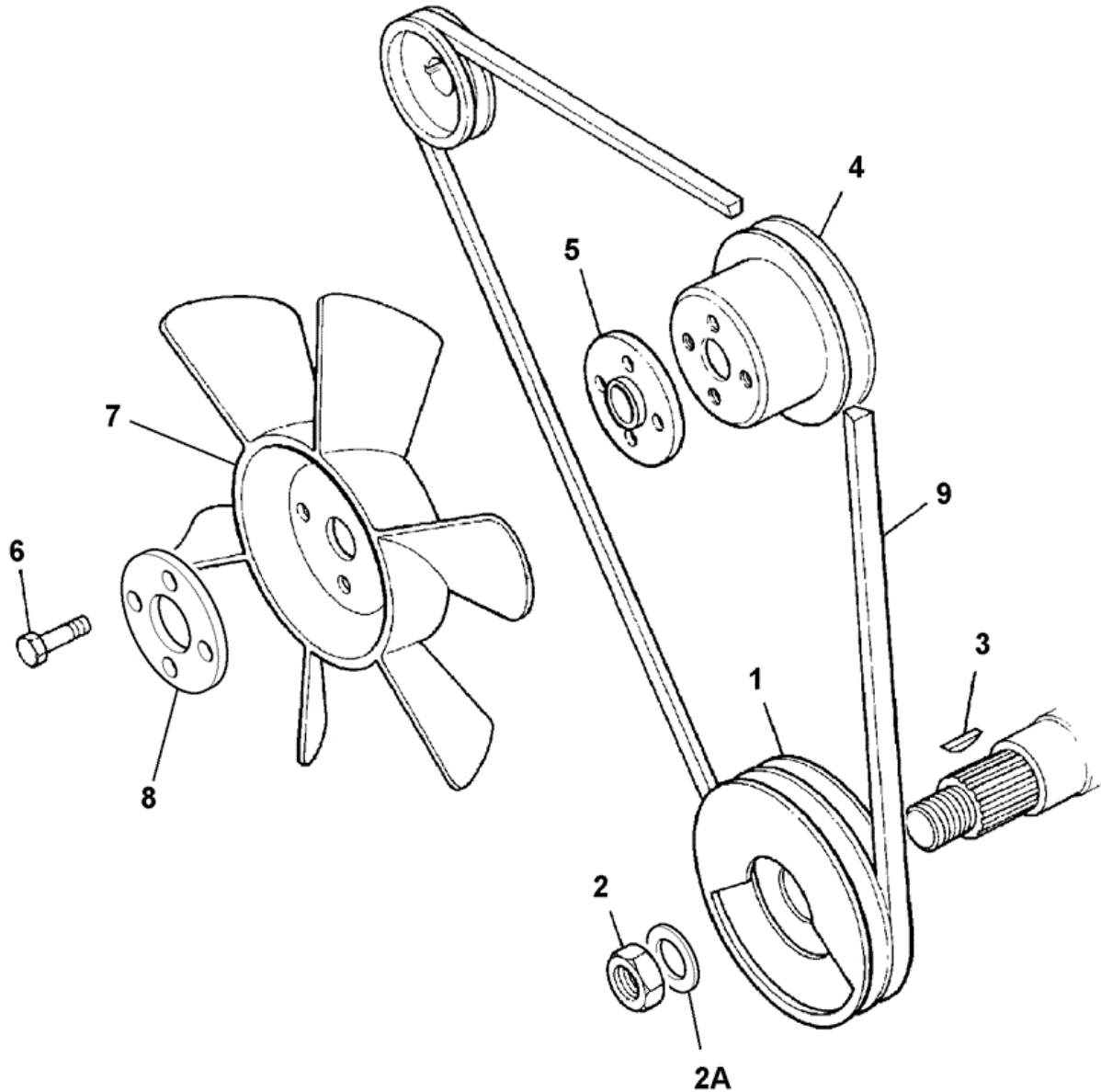
394390

Item	Part #	Change No	Description	Usage Code	QTY
1	02/634809		Crankshaft .		1
2	****		None serviced part		1
3	:02/630043		Pin		1
4	:02/634810		Gear Crankshaft		1
5	:02/630042		Key		1

6	02/630547		Kit-bearing main standard	1
6	02/634812		Kit Main Bearing -0.25mm	1
7	02/630571		Kit-bearing big end	1
7	02/634813		Kit Big End Bearing -0.25mm	1
8	N/A		Not applicable not available	1
9	02/630570		Conrod	3
10	****		None serviced part	1
11	****		None serviced part	1
12	:02/630052		Bush small-end	1
13	:02/630053		Bolt	2
14	:02/630054		Nut	2
15	02/630997		Piston Piston assembly	3
16	:02/630997		Piston Piston assembly	1
17	:02/634814		Kit-piston ring	1
18	02/630059		Circlip	6
19	02/630058		Pin gudgeon	3



9802/6310 N1-5-1 FAN,PULLEYS,BELT



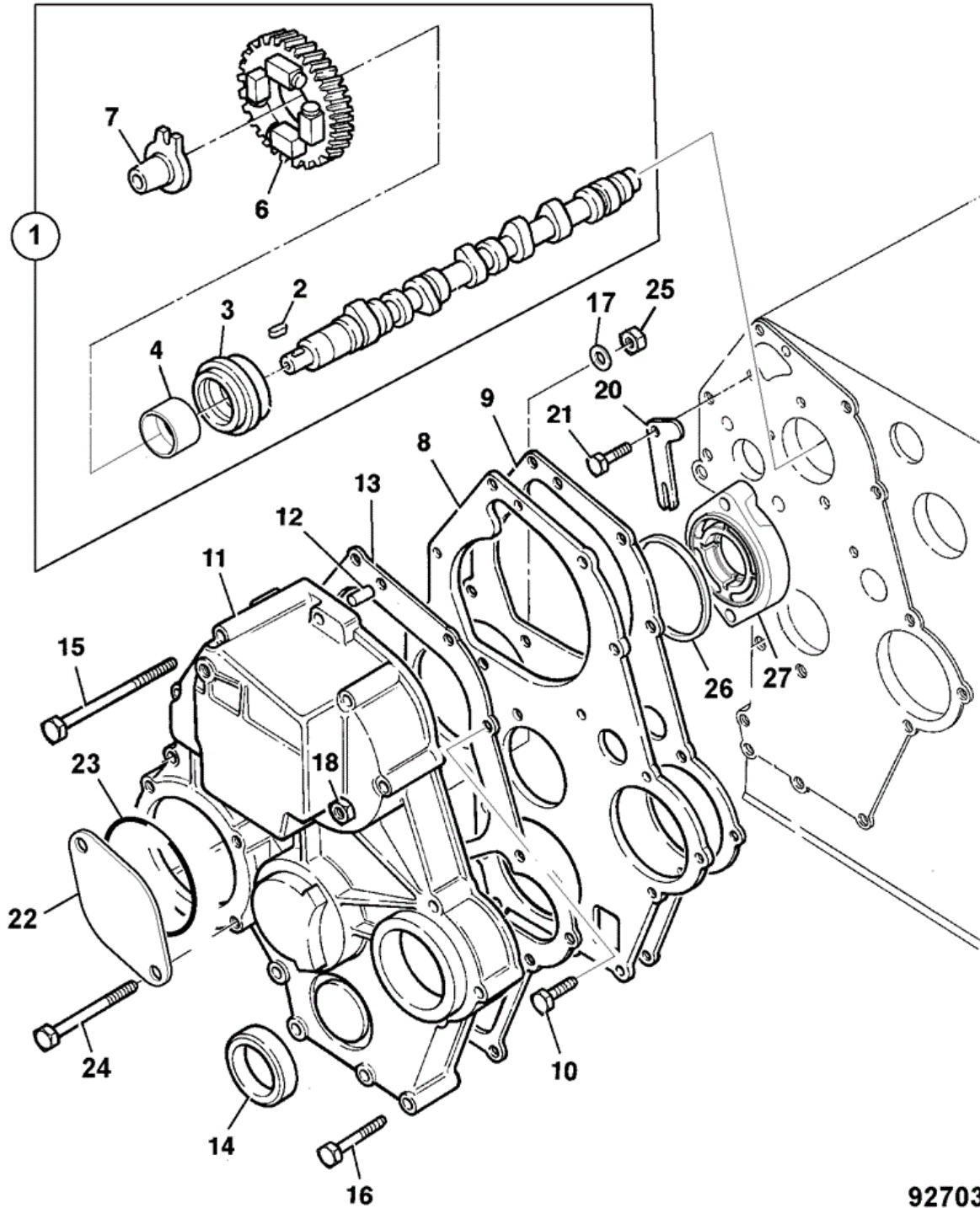
741440

Item	Part #	Change No	Description	Usage Code	QTY
1	02/630066		Pulley crankshaft		1
2	02/630067		Nut		1
2A	823/10369		Washer		1

3	02/630068		Key	1
4	02/630070		Pulley water pump	1
5	N/A		Not applicable not available	1
6	02/634076		Screw	4
7	02/630830		Fan	1
8	02/634075		Plate <i>Not required</i>	1
9	02/631260		Belt fan	1



9802/6310 N1-6-1 TIMING CASE CAMSHAFT & GEARS



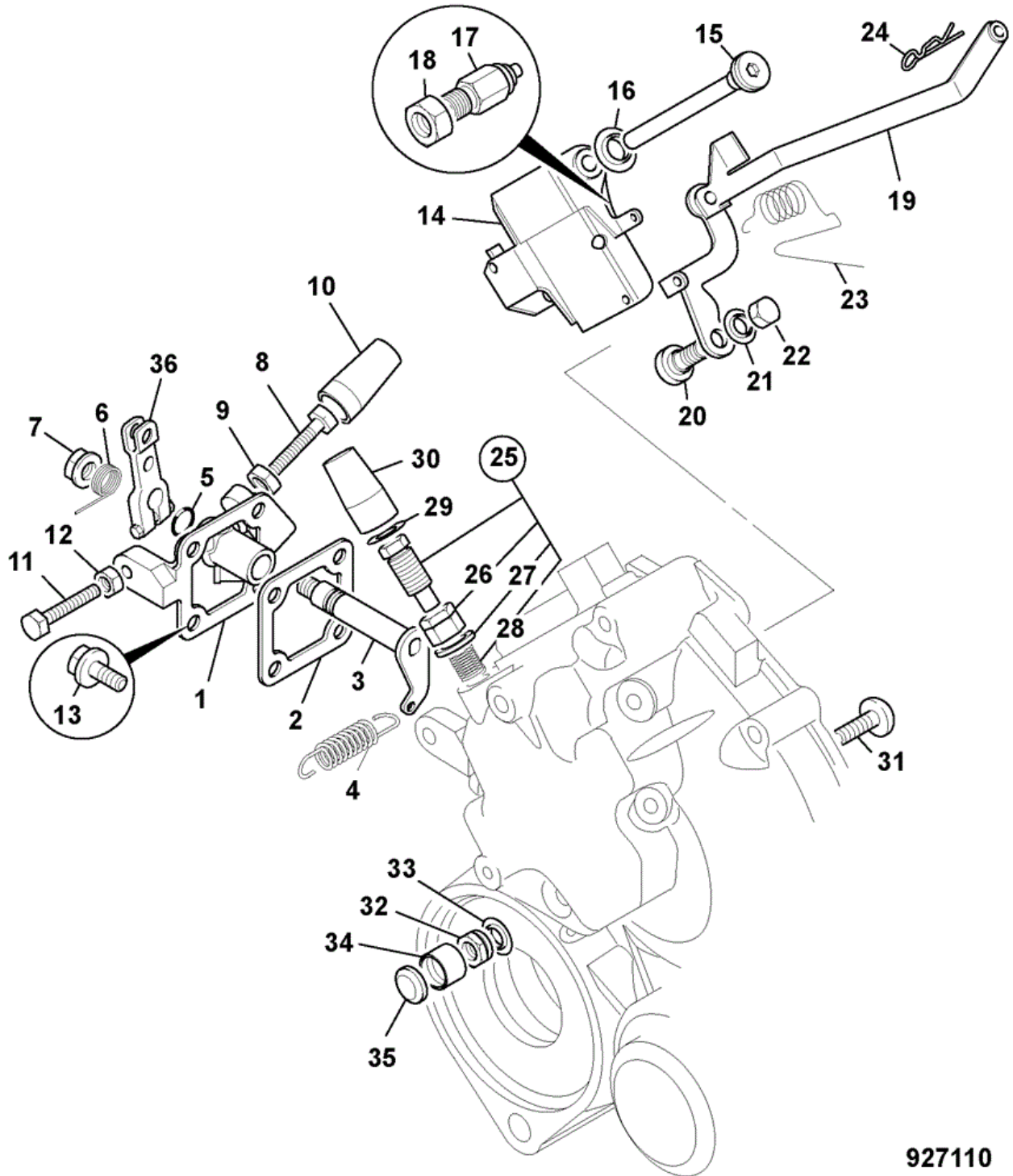
927030

Item	Part #	Change No	Description	Usage Code	QTY
1	02/634815		Camshaft Assembly		1
2	:02/630068		Key		1
3	:02/630081		Bearing		1

4	:02/634210		Spacer	1
6	:02/634816		Gear Camshaft	1
7	:02/634740		Tappet .	1
8	02/634817		Plate .	1
9	02/630545		Gasket gasket	1
10	02/630102		Screw	3
11	02/634818		Cover Timing Case	1
12	02/630089		Pin	1
13	02/634819		Gasket Timing Case	1
14	02/630092		Seal front oil	1
15	826/10729		Screw	5
16	826/10777		Screw	5
17	02/630134		Washer spring	2
18	02/630096		Nut	1
19	02/630102		Screw	1
20	02/630101		Plate	1
21	02/630103		Screw	1
22	02/634820		Plate .	2
23	02/634821		O Ring .	2
24	02/634822		Bolt .	2
25	02/634116		Nut	2
26	02/634821		O Ring .	1
27	02/634824		Bearing Holder Assembly	1



9802/6310 N1-6-2 TIMING LEVERS ARMS & SPRINGS



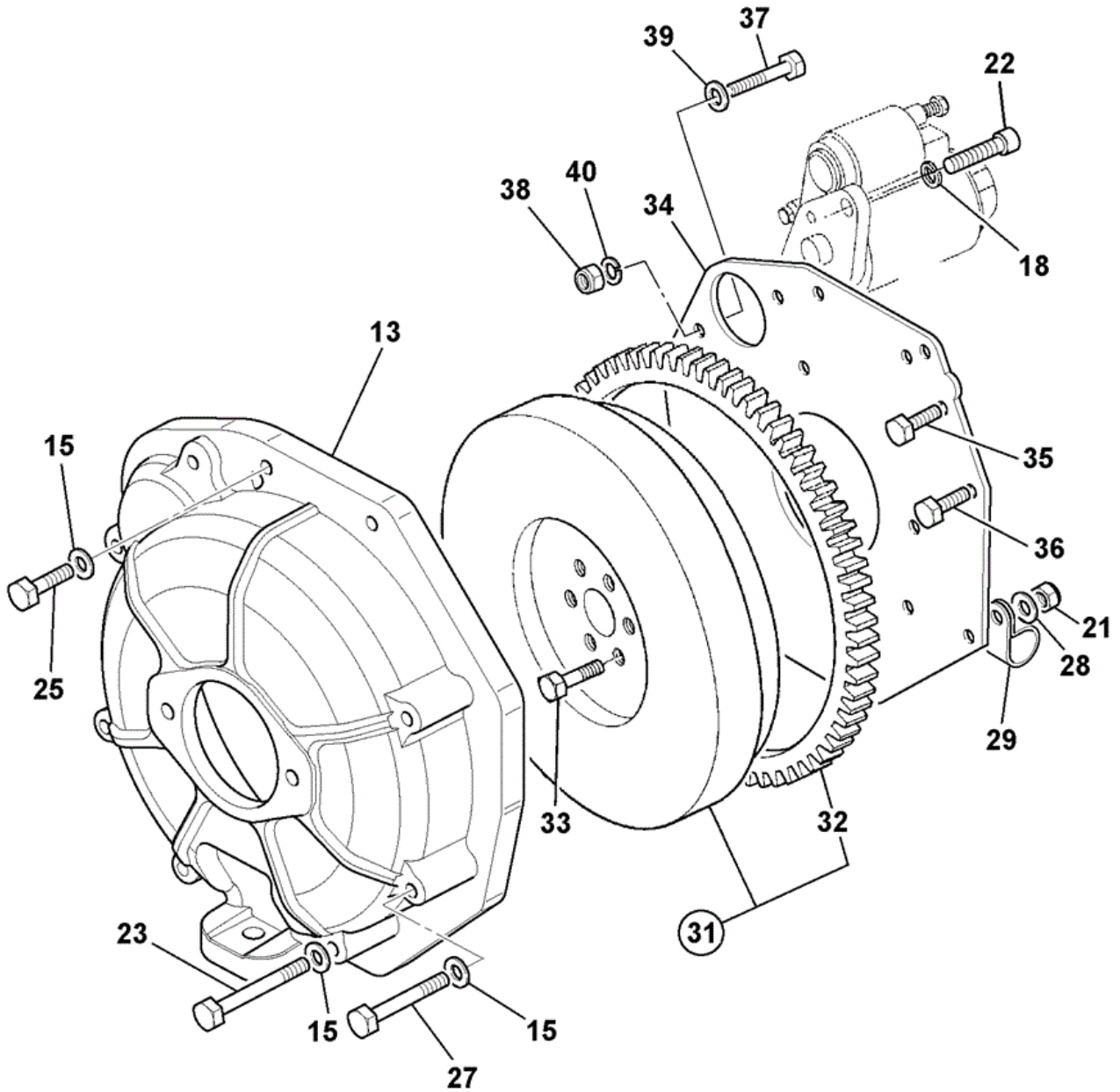
927110

Item	Part #	Change No	Description	Usage Code	QTY
1	02/634743		Bracket .		1
2	02/634770		Gasket .		1
3	02/634739		Lever Arm		1

4	02/634773		Spring .	1
5	02/630493		O Ring	1
6	02/634771		Spring .	1
7	02/630078		Nut	1
8	826/10742		Screw	1
9	826/10743		Nut	1
10	02/634166		Cap anti-tamper	1
11	826/10742		Screw	1
12	1370/0101Z		Nut (M6)	1
13	02/630071		Screw	4
14	02/634736		Bracket Lever Arm	1
14	02/630108		Washer	1
15	02/634738		Shaft .	1
16	02/634837		Seal O-Ring	1
17	02/634825		Sensor Speed	1
18	02/634717		Nut .	1
19	02/634826		Lever .	1
20	02/634737		Pivot Pin Bolt	1
21	02/630266		Washer	1
22	02/634720		Nut .	1
23	02/634774		Spring .	1
24	02/630111		Pin	1
25	02/634827		Bolt Assembly	1
26	:826/10738		Nut	1
27	:02/630308		Washer	1
28	:02/634775		Spring .	1
29	02/634776		Ring .	1
30	02/634828		Cap Anti Tamper	1
31	02/634749		Bolt .	1
32	02/634716		Nut .	1
33	02/630266		Washer	1
34	02/634760		Cap Anti Tamper	1
35	02/634723		Cap .	1
36	02/634838		Lever Control	1



9802/6310 N1-7-1 FLYWHEEL & HOUSING



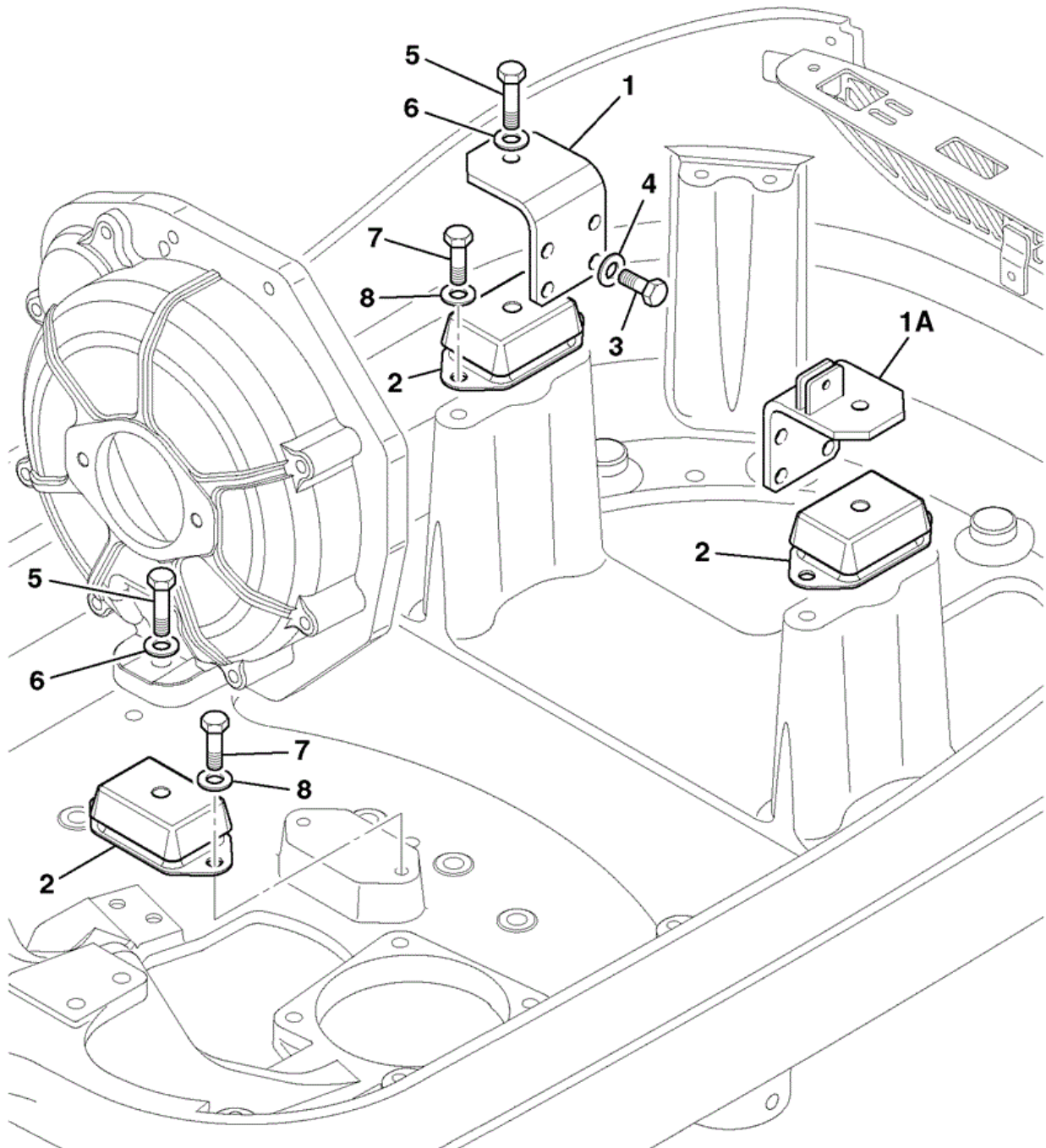
947490

Item	Part #	Change No	Description	Usage Code	QTY
13	331/59781		Housing flywheel		1
15	JHP0080		Washer (M8)		7
18	JHP0046		Washer M10		2

21	1370/0203D		Nut Lock M8	5
22	1315/3411D		Bolt M10 x 45 mm Long	2
23	1315/3319D		Bolt Special M8x90	3
25	1315/0307D		Setscrew M8 x 25 mm	2
27	1315/3320D		Bolt M8 x100 mm	2
28	1420/0007D		Washer (M8)	7
29	821/00412		Clip 'P' 27mm	1
31	02/630395		Flywheel assembly	1
32	:02/630136		Ring starter	1
33	02/630137		Screw	6
34	02/630366		Plate flywheel backplate	1
35	826/10776		Screw	8
36	02/634112		Screw	2
37	02/630558		Bolt	2
38	02/634059		Nut	2
39	02/630108		Washer	2
40	02/630134		Washer spring	2



9802/6310 N1-8-1 ENGINE MOUNTINGS



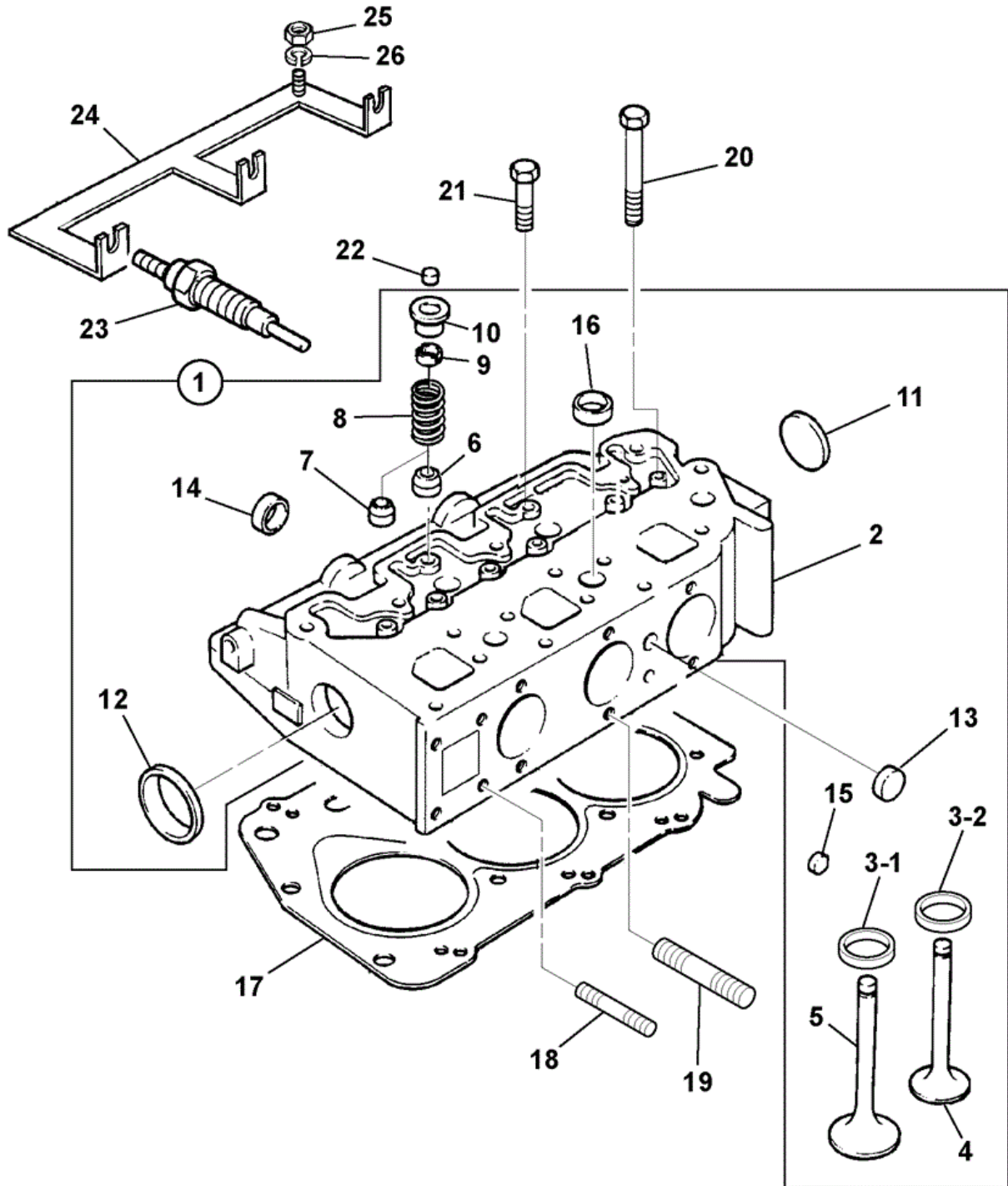
776691

Item	Part #	Change No	Description	Usage Code	QTY
1	331/30446		Bracket engine mounting		1
1A	332/T1384		Bracket engine mounting double slot		1
2	331/29952		Mounting rubber		3

3	826/10994		Screw hex head M12x25 fine pitch	8
4	823/00309		Washer hardened (13mm x 23mm x 2.7mm)	8
5	1315/0509D		Screw M12x35mm	3
6	823/00309		Washer hardened (13mm x 23mm x 2.7mm)	3
7	1315/0407D		Setscrew M10 x 25	4
8	1420/0008		Washer (M10)	6
9	1315/0405D		Setscrew M10 x 20	2



9802/6310 N2-1-1 CYLINDER HEAD



927830

Item	Part #	Change No	Description	Usage Code	QTY
1	02/634829		Cylinder Head Assembly		1
2	****		None serviced part		1
3	:02/631335		Seat valve insert	A	3

Thank you so much for reading.
Please click the “Buy Now!”
button below to download the
complete manual.



After you pay.

You can download the most
perfect and complete manual in
the world immediately.

Our support email:

ebooklibonline@outlook.com