

**McCormick-Deering
Tractor Manure
Spreader
No. 100**

MC-D 5644

Reprinted

CASE III






THIS SAFETY ALERT SYMBOL INDICATES IMPORTANT SAFETY MESSAGES IN THIS MANUAL. WHEN YOU SEE THIS SYMBOL, CAREFULLY READ THE MESSAGE THAT FOLLOWS AND BE ALERT TO THE POSSIBILITY OF PERSONAL INJURY OR DEATH.

M171B

If Safety Decals on this machine use the words **Danger, Warning or Caution**, which are defined as follows:

- **DANGER:** Indicates an immediate hazardous situation which if not avoided, will result in death or serious injury. The color associated with Danger is RED.
- **WARNING:** Indicates an potentially hazardous situation which if not avoided, will result in serious injury. The color associated with Warning is ORANGE.
- **CAUTION:** Indicates an potentially hazardous situation which if not avoided, may result in minor or moderate injury. It may also be used to alert against unsafe practices. The color associated with Caution is YELLOW.

If Safety Decals on this machine are ISO two panel Pictorial, decals are defined as follows:

- The first panel indicates the nature of the hazard.
- The second panel indicates the appropriate avoidance of the hazard.
- Background color is YELLOW.
- Prohibition symbols such as   and  if used, are RED.



WARNING

IMPROPER OPERATION OF THIS MACHINE CAN CAUSE INJURY OR DEATH. BEFORE USING THIS MACHINE, MAKE CERTAIN THAT EVERY OPERATOR:

- Is instructed in safe and proper use of the machine.
- Reads and understands the Manual(s) pertaining to the machine.
- Reads and understands ALL Safety Decals on the machine.
- Clears the area of other persons.
- Learns and practices safe use of machine controls in a safe, clear area before operating this machine on a job site.

It is your responsibility to observe pertinent laws and regulations and follow Case Corporation instructions on machine operation and maintenance.

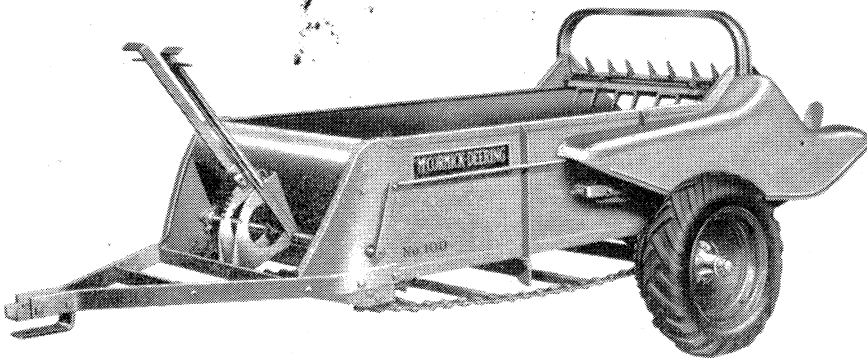
Instruction Manual and Parts List

Setting Up and Operating

McCormick-Deering

Tractor Manure Spreader

No. 100



This manual contains instructions for setting up and operating and, in addition, a parts list with detailed illustrations of the various units arranged so that parts wanted may readily be located.

INTERNATIONAL HARVESTER COMPANY
180 NORTH MICHIGAN AVE. CHICAGO, ILLINOIS, U.S.A.

INSTRUCTIONS FOR SETTING UP

(Operating Instructions are on page 17)

Remove all wires and arrange parts conveniently.

Lubricate all bearings and moving parts as you proceed, and see that they work freely. Use kerosene to cut the paint on bearing parts if necessary.

Bolts must be used in the holes in which they are found, or in parts to which they are attached, unless otherwise shown.

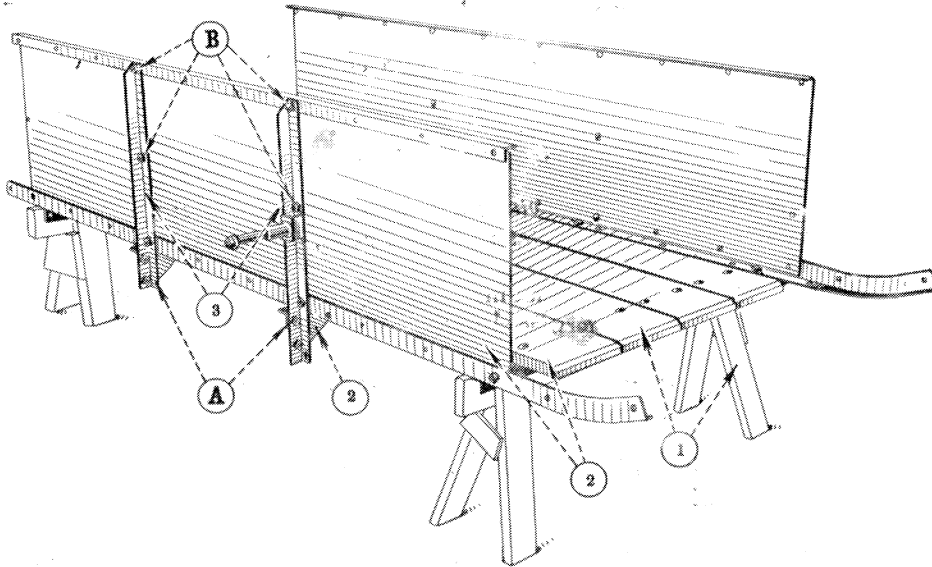
Shaded portions in the illustrations show parts to be assembled; these must be placed on the machine in the order numbered.

Wherever the terms "left" and "right" are used, it should be understood to mean from a position behind and facing the machine.

We reserve the right to make changes or improvements in the design or construction of any part without incurring the obligation to install such changes on any machine previously delivered.

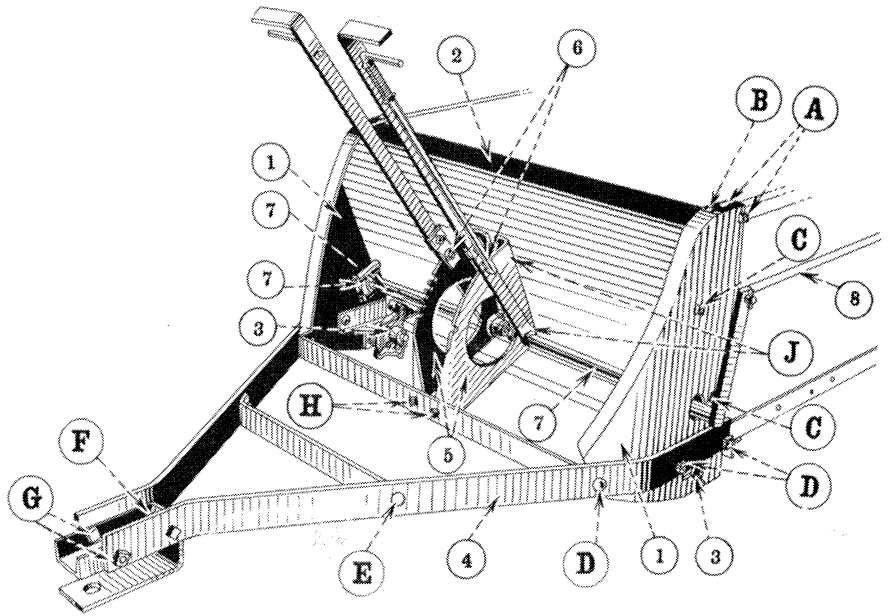
CAUTION!

Do not drive faster than 5 miles per hour if spreader is equipped with steel wheels.

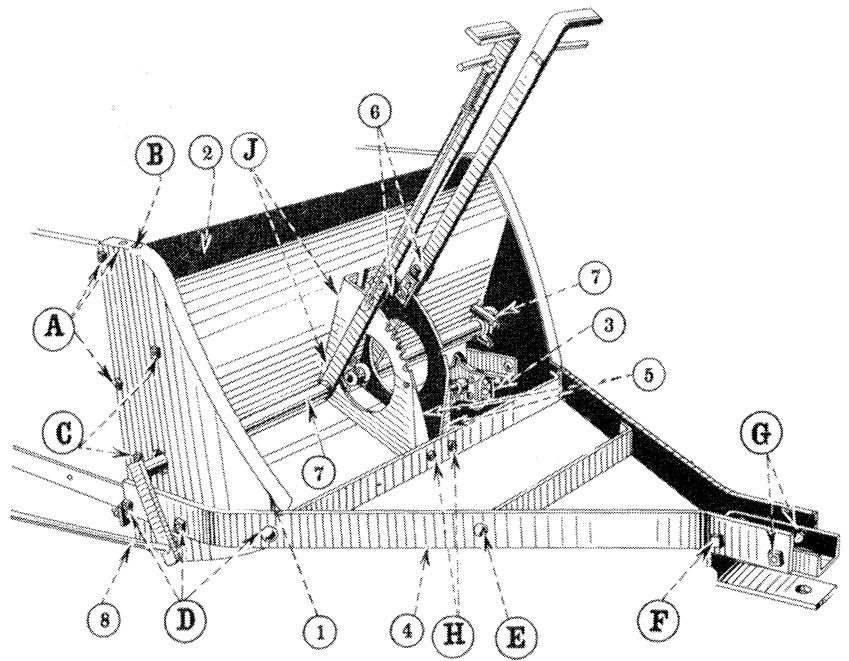


Illust. 1

1. Place bottom on wooden horses about 19" high and remove filler boards, right and left.
2. Attach sides and side angle gussets to bottom with $\frac{3}{8}$ x $\frac{7}{8}$ " machine bolts.
3. Attach angles to sides and gussets, using $\frac{3}{8}$ x $\frac{7}{8}$ " machine bolts at "A" and $\frac{3}{8}$ x $\frac{7}{8}$ " carriage bolts at "B", placing angle with stud on left rear side.



Illust. 2



Illust. 2A

See Illusts. 2 and 2A

1. Attach side sheet supports, right and left, with $\frac{3}{8}$ x $\frac{3}{4}$ " carriage bolts at "A". *Leave bolts loose.*

2. Attach front end gate to side sheet supports with $\frac{3}{8}$ x $\frac{3}{4}$ " carriage bolts at "B" and $\frac{3}{8}$ x $\frac{3}{4}$ " machine bolts at "C". *Leave bolts loose.*

3. Attach apron tighteners, complete, to side sheets with $\frac{3}{8}$ x $\frac{7}{8}$ " machine bolts and $\frac{7}{16}$ " I.D. x 1" O.D. x 16 ga. washers. Insert straight lubrication fittings into apron sprockets.

4. Attach draw bar frame as illustrated, using $\frac{1}{2}$ x $1\frac{5}{8}$ " carriage bolts at "D", $\frac{1}{2}$ x $1\frac{1}{2}$ " carriage bolts at "E", $\frac{1}{2}$ x $4\frac{1}{2}$ " machine bolt at "F", and $\frac{1}{2}$ x $1\frac{1}{4}$ " machine bolt at "G".

5. Attach sectors to end gate and drawbar brace, rear, with $\frac{3}{8}$ x $1\frac{1}{4}$ " machine bolts at "H" and $\frac{3}{8}$ x $\frac{7}{8}$ " machine bolts at "J". *Leave bolts loose.*

6. Remove control rod guide and clip from lever.

7. Insert outer end of lever through hole in side plate, place inner half of bearing over pipe and insert inner end of lever through sector and secure with $\frac{1}{4}$ x $1\frac{3}{4}$ " cotter. Place outer half of bearing over pipe and secure with $\frac{3}{8}$ x $3\frac{1}{4}$ " machine bolts. Replace control rod and clip.

Tighten all bolts.

8. Attach chain raising rod and feed rod to levers and secure with $\frac{3}{16}$ x 1" cotter. *See Illust. 2A also.*

Buy Now



Our support email:

ebooklibonline@outlook.com